



US00D713489S

(12) **United States Design Patent**
Dobias et al.

(10) **Patent No.:** **US D713,489 S**
(45) **Date of Patent:** **** Sep. 16, 2014**

(54) **ANIMAL TRAP**

FOREIGN PATENT DOCUMENTS

(71) Applicant: **OMS Investments, Inc.**, Los Angeles, CA (US)

GB 233219 5/1925

OTHER PUBLICATIONS

(72) Inventors: **Scott F. Dobias**, Powell, OH (US); **Katie Denise Chapman**, Columbus, OH (US); **Mou Li Lin**, Tainan (TW); **Tsung Yi Chung**, Tainan (TW); **Di Jun Yan**, Hanyang (CN); **Kenneth E. Schlack**, Powell, OH (US)

International Search Report with Written Opinion from PCT/US2011/044197, dated Dec. 12, 2011.

Primary Examiner — Catheri Oliver-Garcia
(74) *Attorney, Agent, or Firm* — Hunton & Williams LLP

(73) Assignee: **OMS Investments, Inc.**, Los Angeles, CA (US)

(57) **CLAIM**
We claim the ornamental design for an animal trap, as shown and described.

(**) Term: **14 Years**

DESCRIPTION

(21) Appl. No.: **29/472,284**

(22) Filed: **Nov. 11, 2013**

This application is related to U.S. patent application Ser. No. 12/838,092 filed Jul. 16, 2010, now U.S. Pat. No. 8,490,322, entitled "Animal Trap with Collapsible Arm," and to U.S. Design patent application Ser. No. 29/365,929 filed Jul. 16, 2010, now U.S. Pat. No. D671,186, entitled "Animal Trap," the contents of which are incorporated herein in their respective entirety to the extent that it is consistent with this invention and application.

Related U.S. Application Data

(60) Continuation of application No. 29/433,269, filed on Sep. 27, 2012, now abandoned, which is a division of application No. 29/365,930, filed on Jul. 16, 2010, now Pat. No. Des. 671,614.

(51) **LOC (10) Cl.** **22-06**

(52) **U.S. Cl.**
USPC **D22/119**

(58) **Field of Classification Search**
USPC D22/119-124; 43/60-61, 65-66, 82, 43/112-113, 124, 131, 132.1
See application file for complete search history.

FIG. 1 is a perspective view of a animal trap in a first position.

FIG. 2 is a front elevation view of the animal trap in the first position.

FIG. 3 is a rear elevation view of the animal trap in the first position.

FIG. 4 is a first side elevation view of the animal trap in the first position.

FIG. 5 is a second side elevation view of the animal trap in the first position.

FIG. 6 is a top view of the animal trap in the first position.

FIG. 7 is a bottom view of the animal trap.

FIG. 8 is a perspective view of the animal trap in a second position.

FIG. 9 is a front elevation view of the animal trap in the second position.

FIG. 10 is a rear elevation view of the animal trap in the second position.

FIG. 11 is a first side elevation view of the animal trap in the second position.

FIG. 12 is a second side elevation view of the animal trap in the second position.

FIG. 13 is a top view of the animal trap in the second position.

(56) **References Cited**

U.S. PATENT DOCUMENTS

4,665,644 A	5/1987	Vajs
D320,833 S	10/1991	Lumsden
D323,016 S	1/1992	Vajs
5,337,512 A	8/1994	Krenzler
6,508,031 B1	1/2003	Johnson et al.
D532,478 S	11/2006	Wiesener
D616,958 S	6/2010	Huang

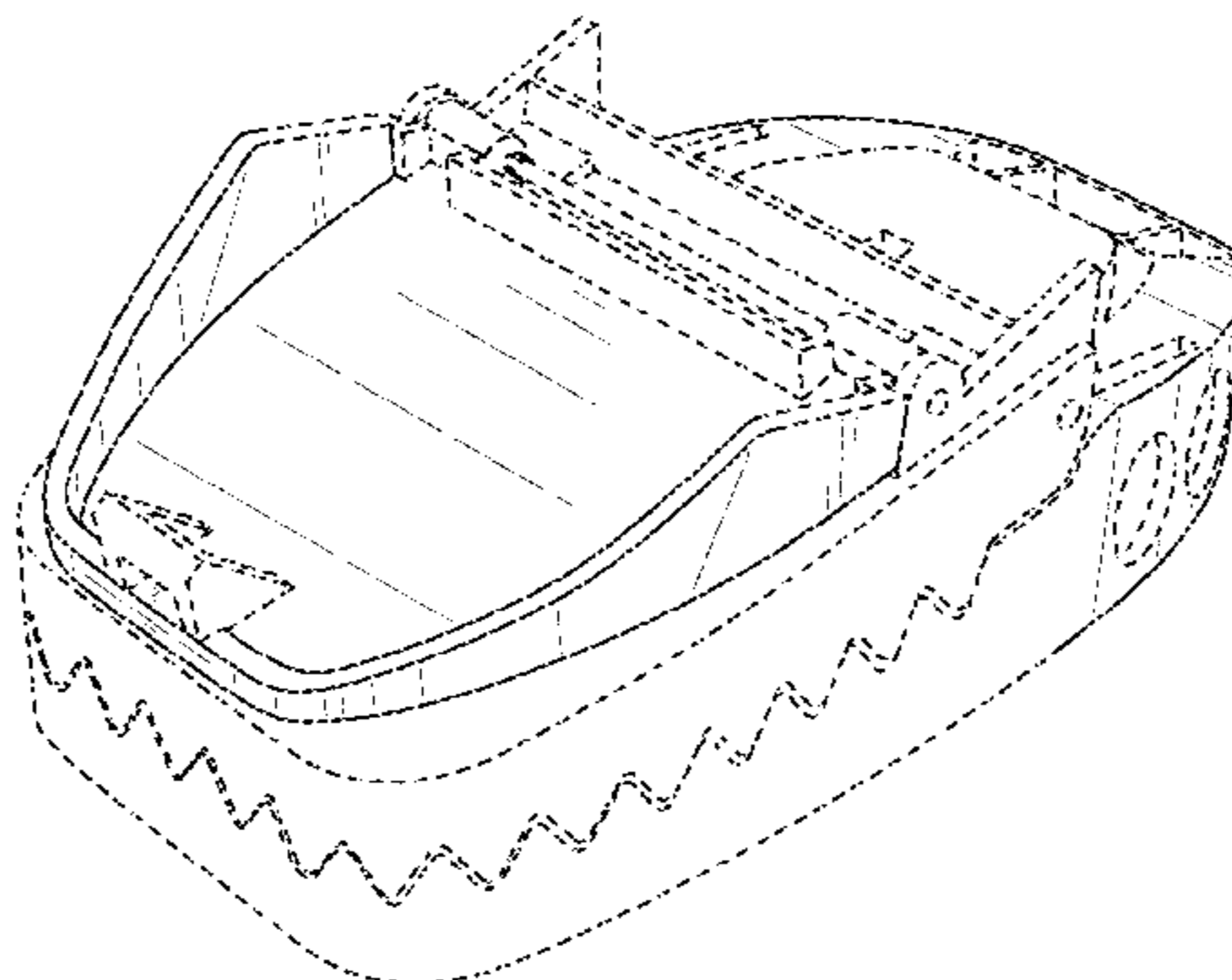


FIG. **14** is a perspective view of the animal trap in a third position.

FIG. **15** is a front elevation view of the animal trap in the third position.

FIG. **16** is a rear elevation view of the animal trap in the third position.

FIG. **17** is a first side elevation view of the animal trap in the third position.

FIG. **18** is a second side elevation view of the animal trap in the third position; and,

FIG. **19** is a top view of the animal trap in the third position. The broken lines in the drawing figures are directed to the environment related to the claimed design and are for illustrative purposes only; the broken lines form no part of the claimed design.

1 Claim, 16 Drawing Sheets

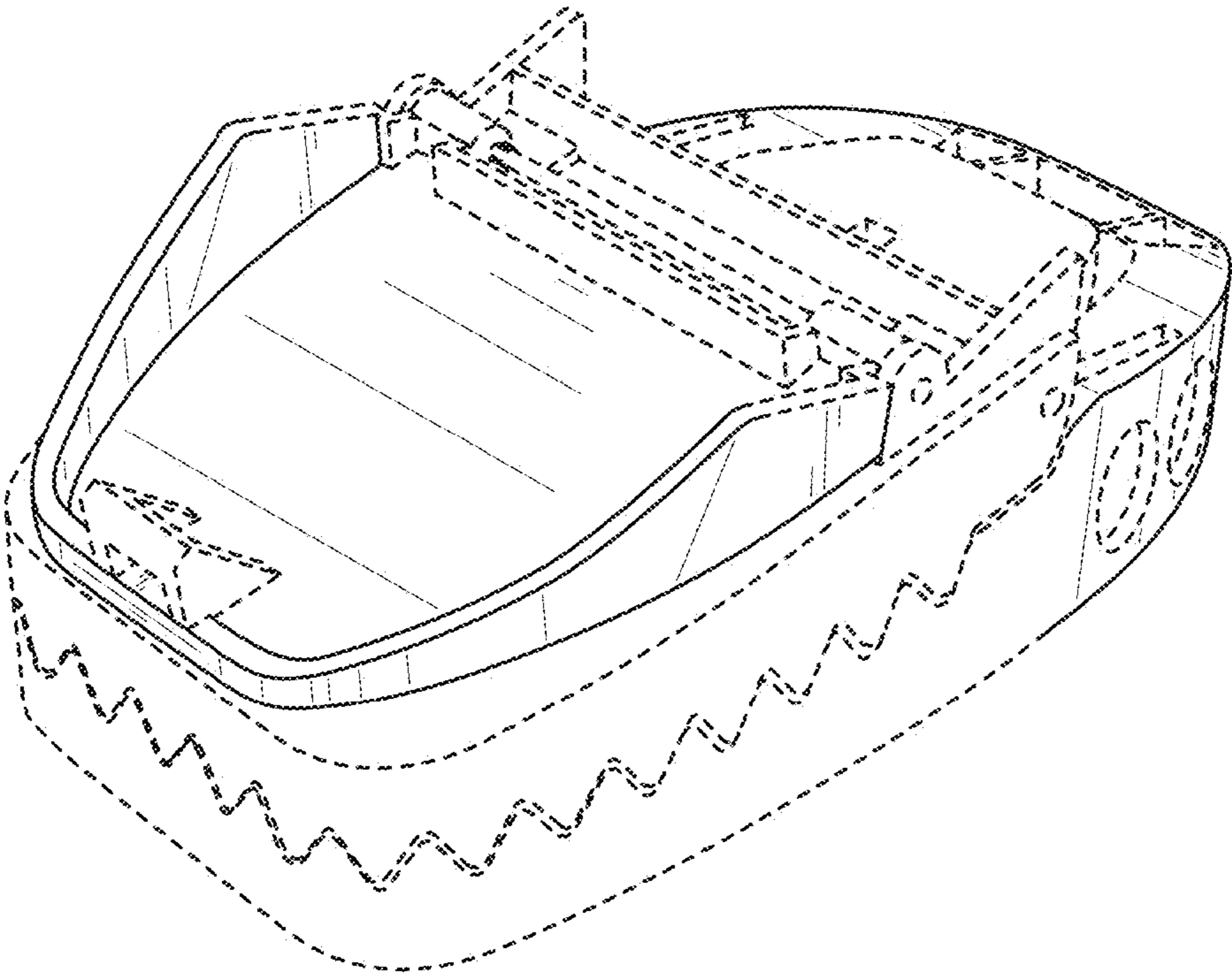


FIG. 1

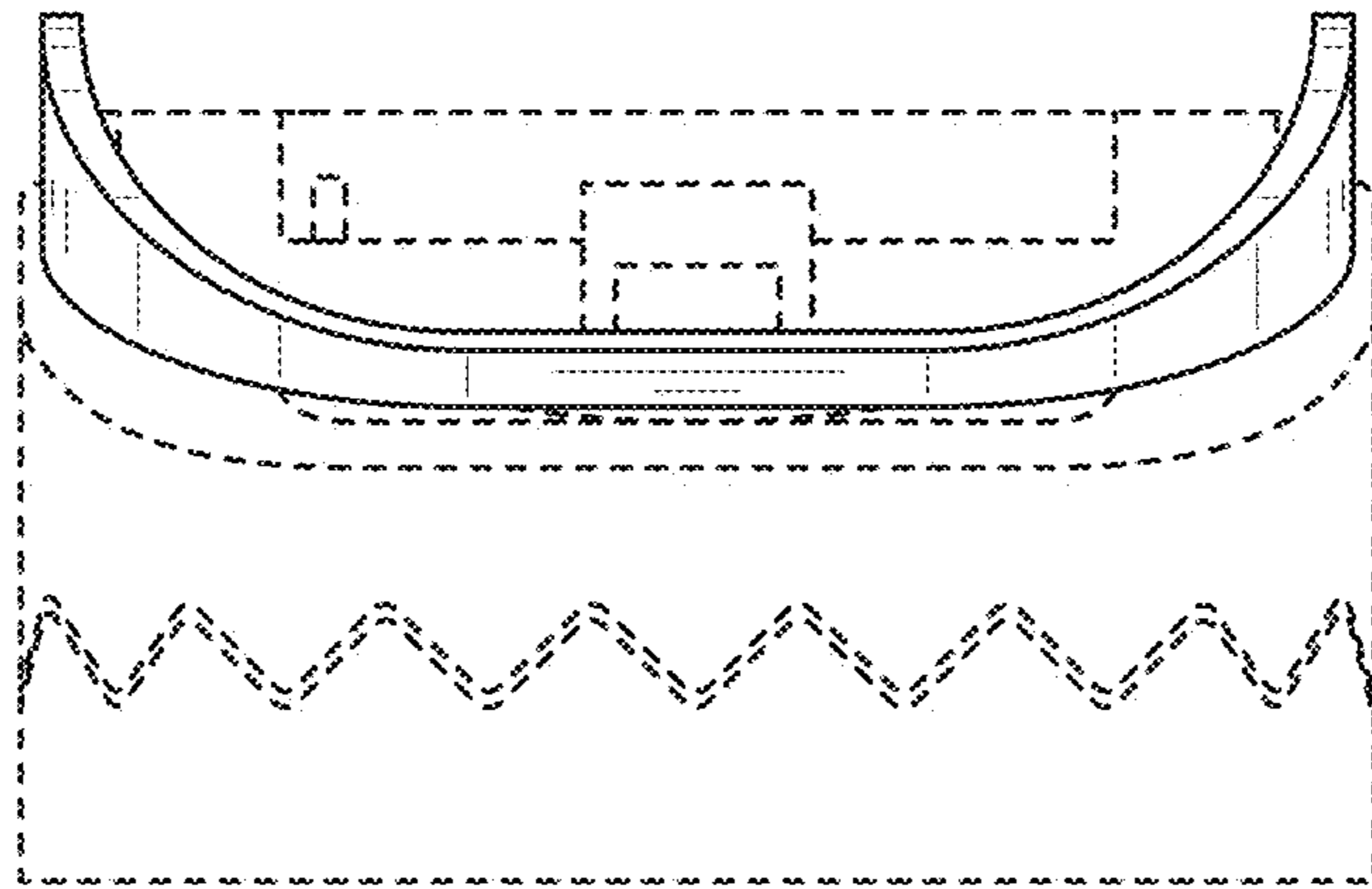


FIG. 2

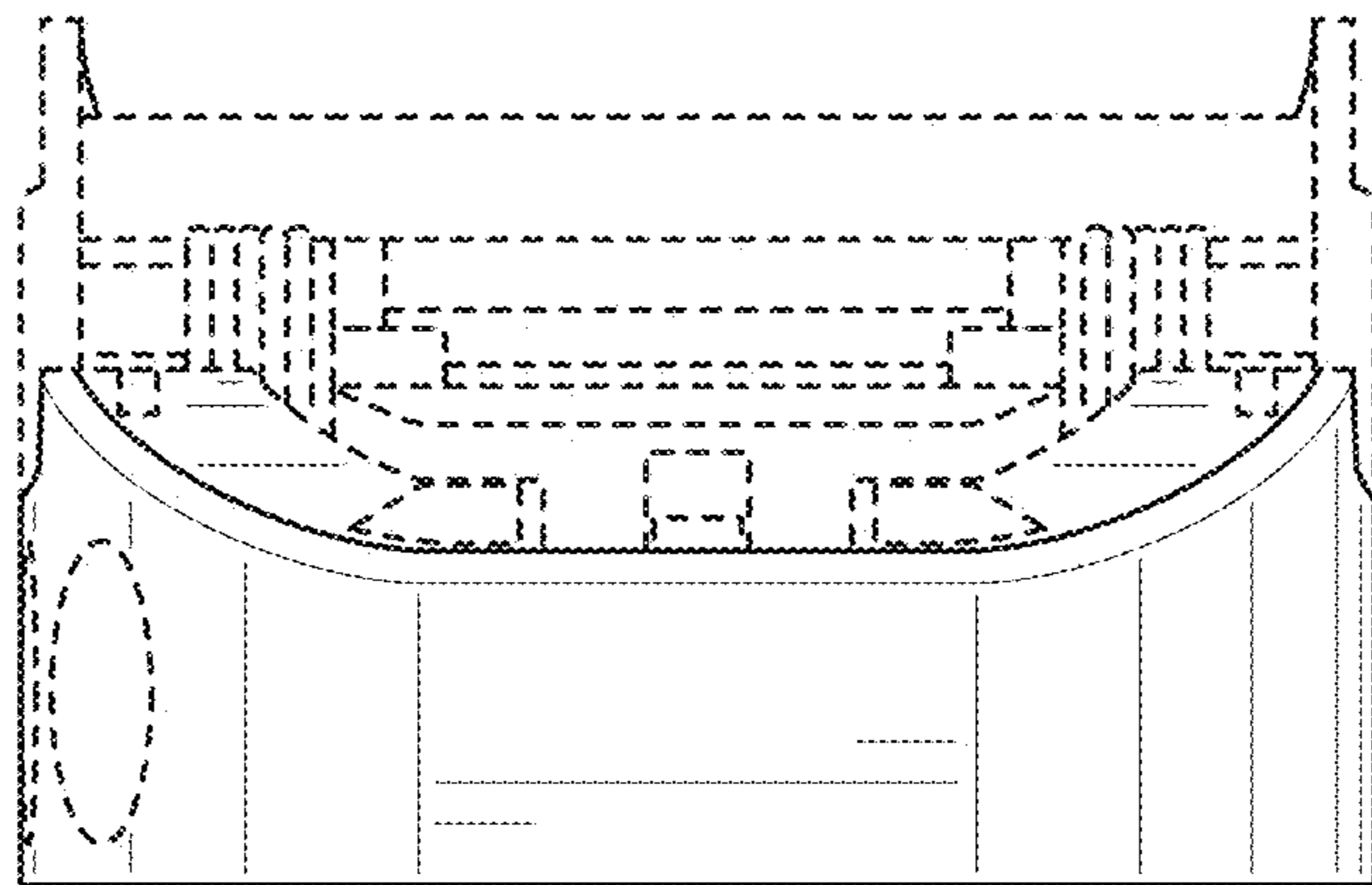


FIG. 3

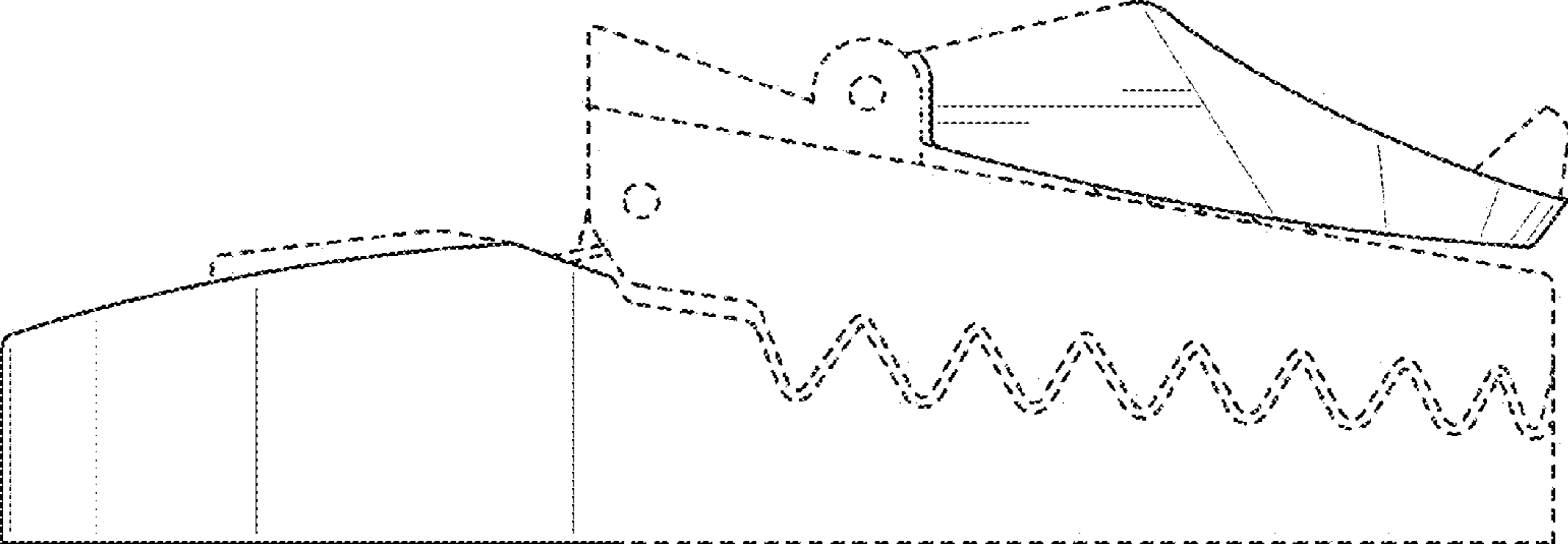


FIG. 4

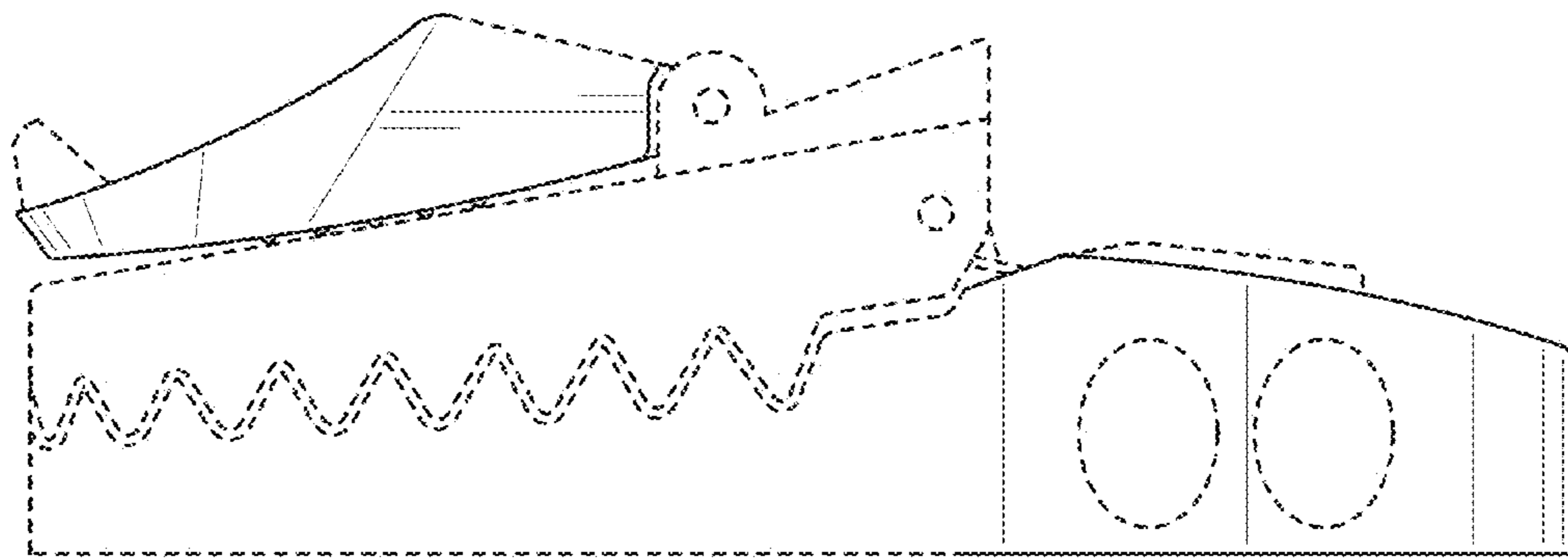


FIG. 5

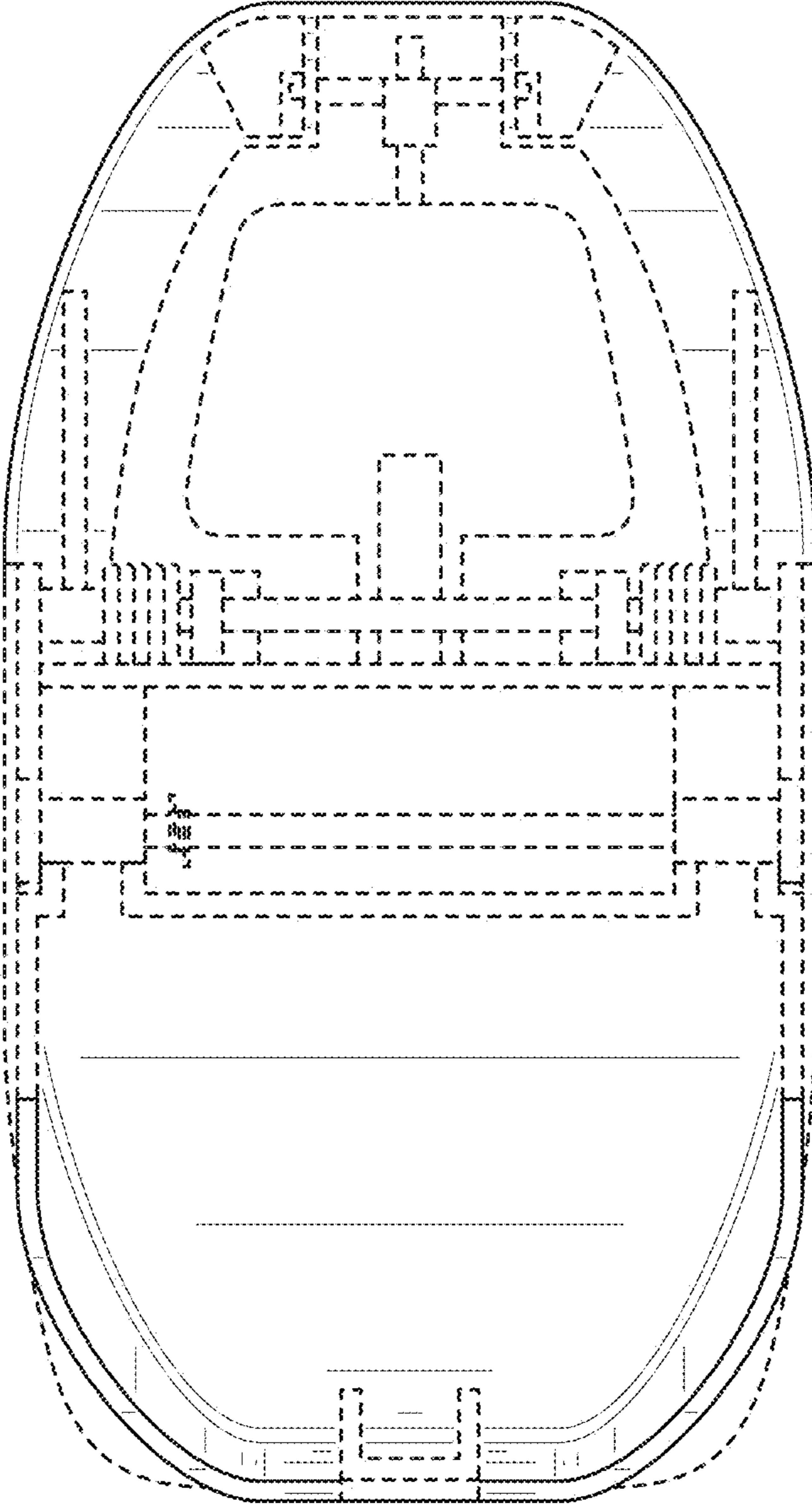


FIG. 6

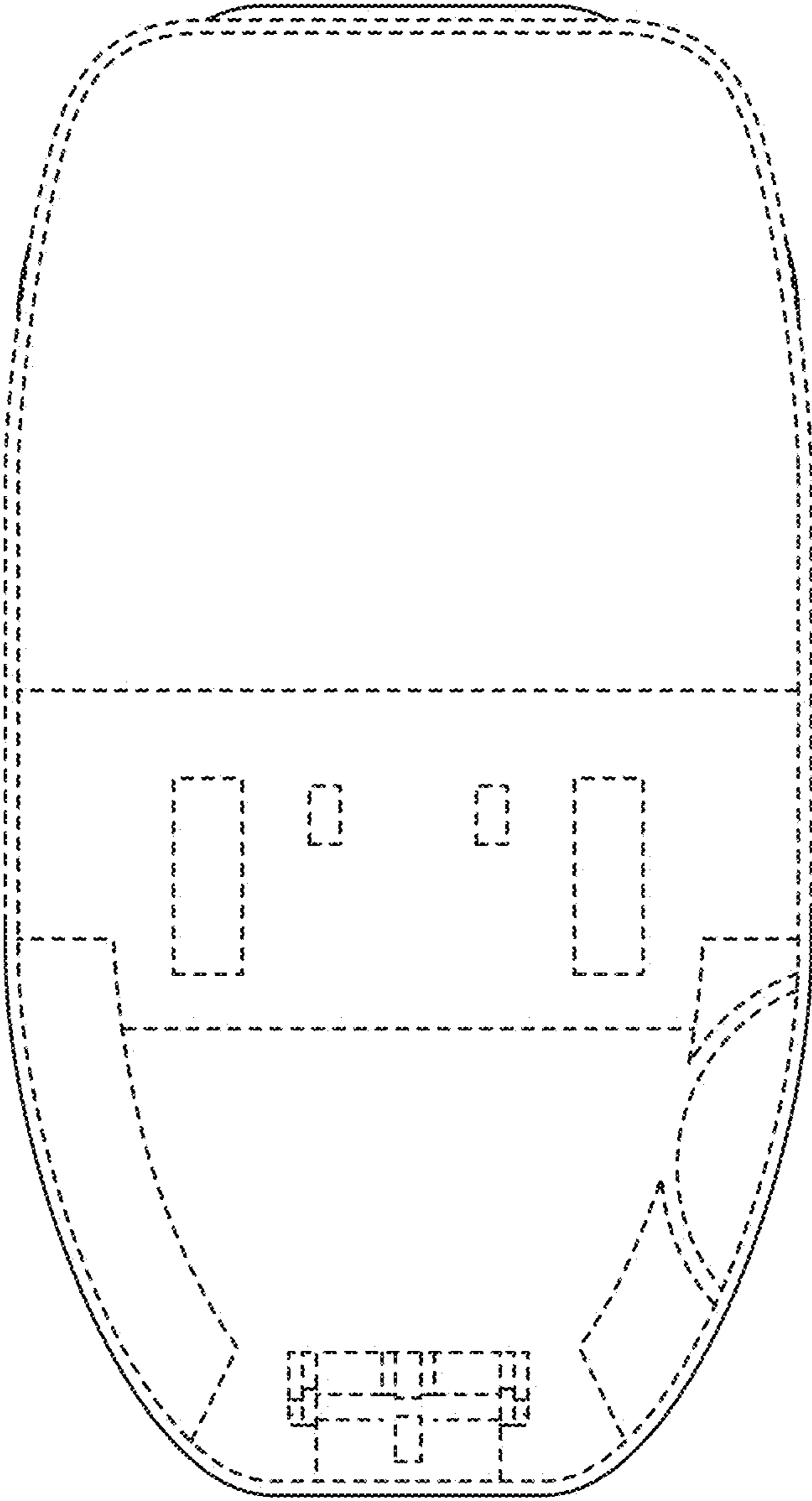


FIG. 7

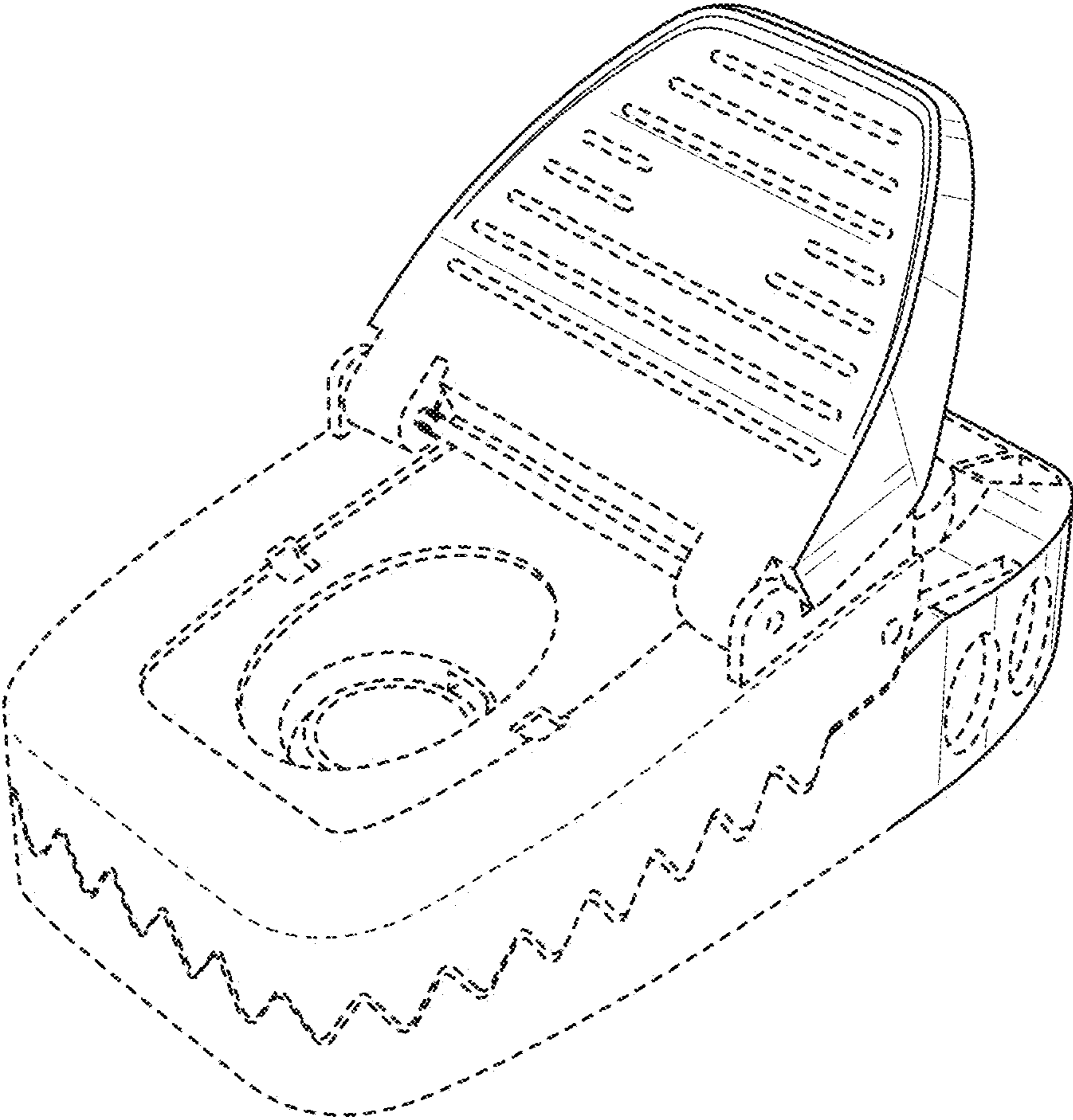


FIG. 8

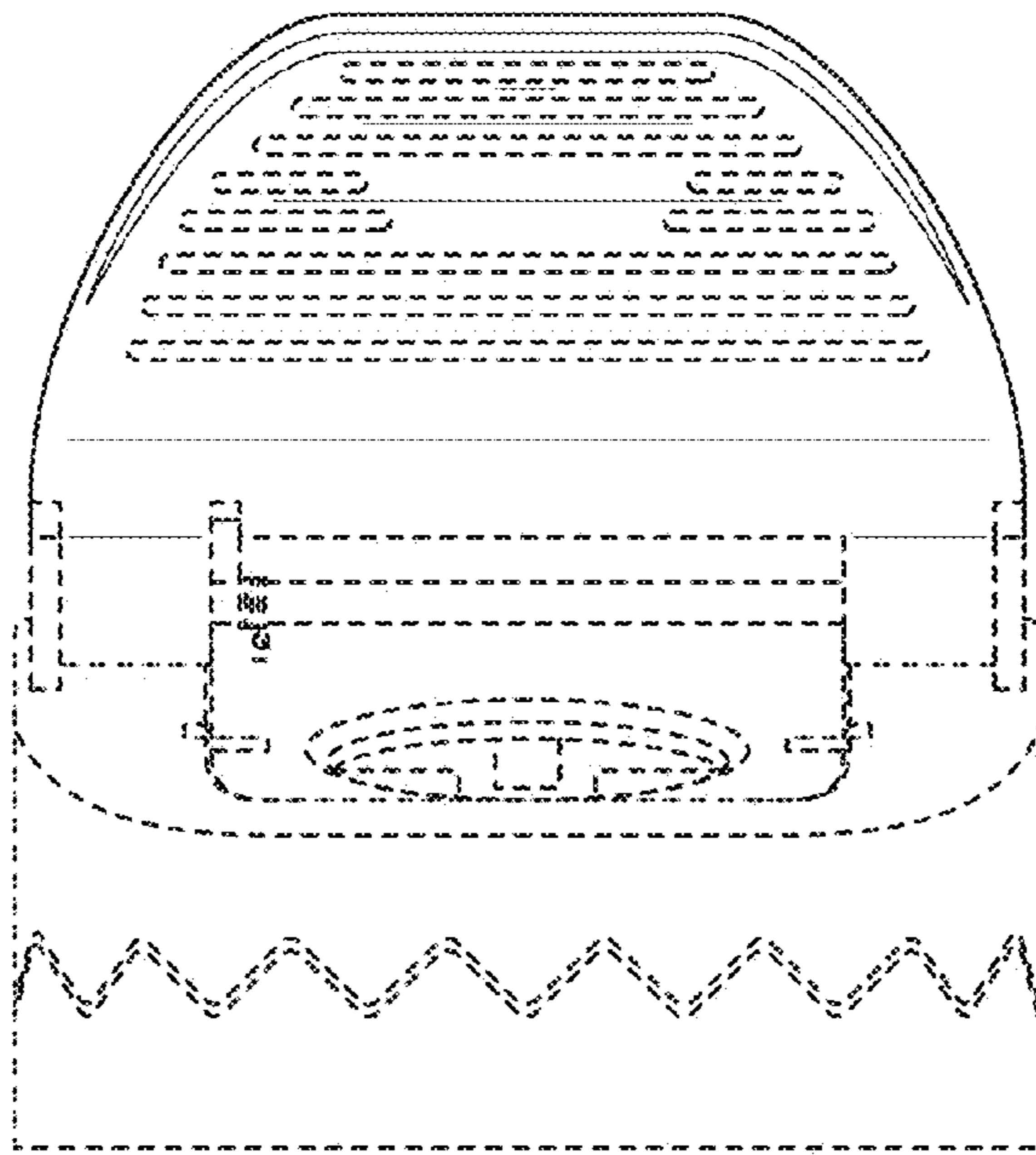


FIG. 9

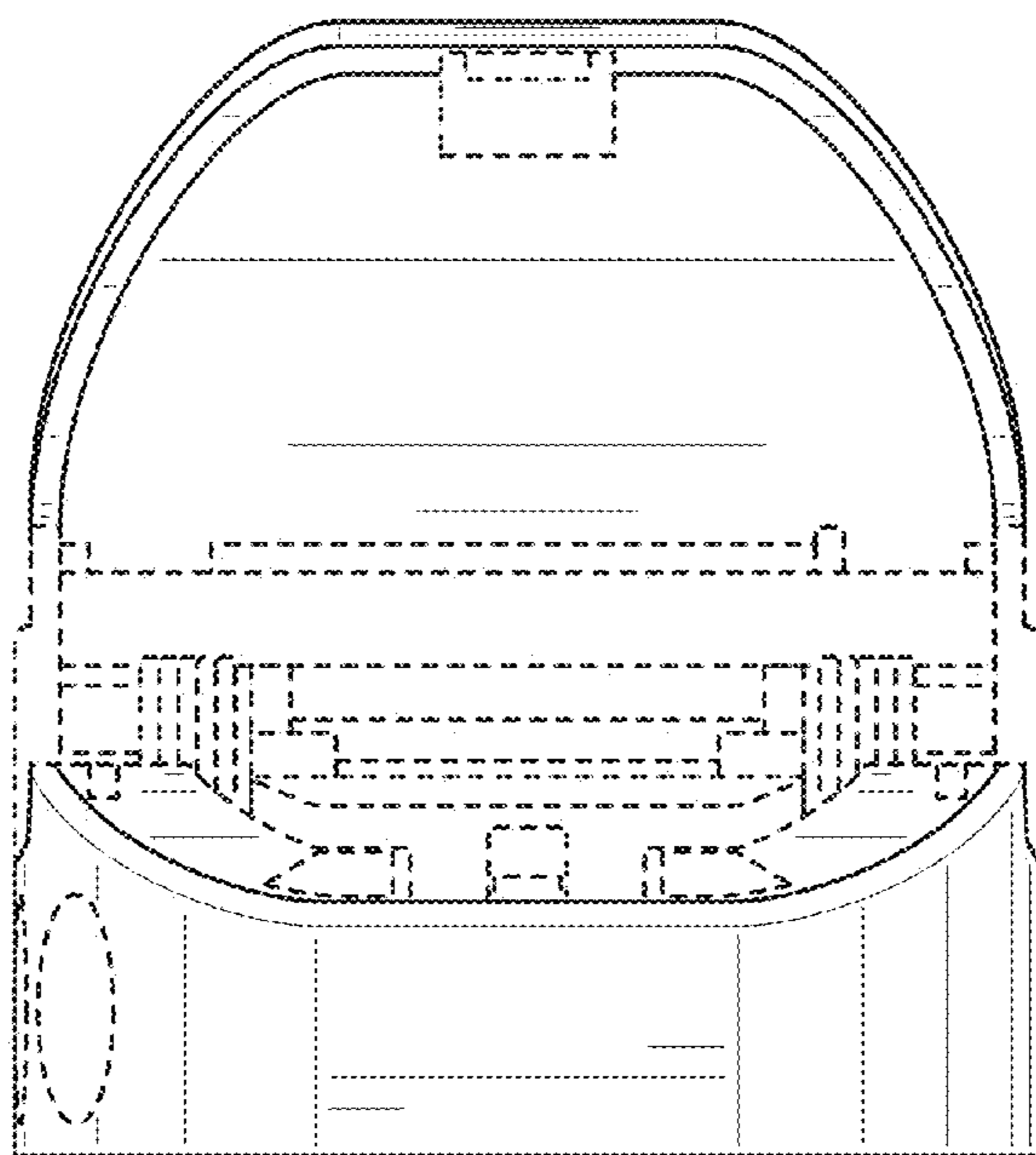


FIG. 10

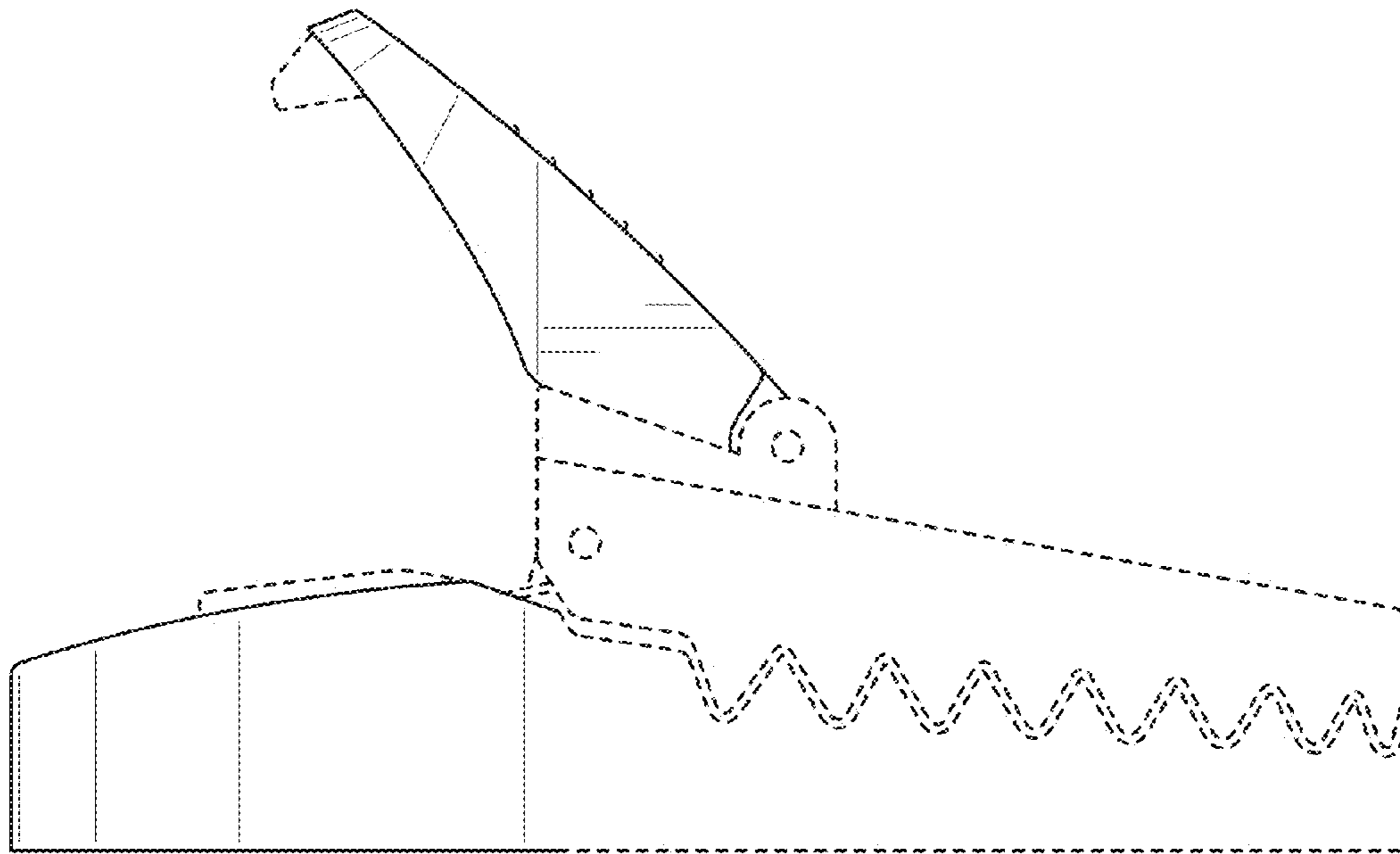


FIG. 11

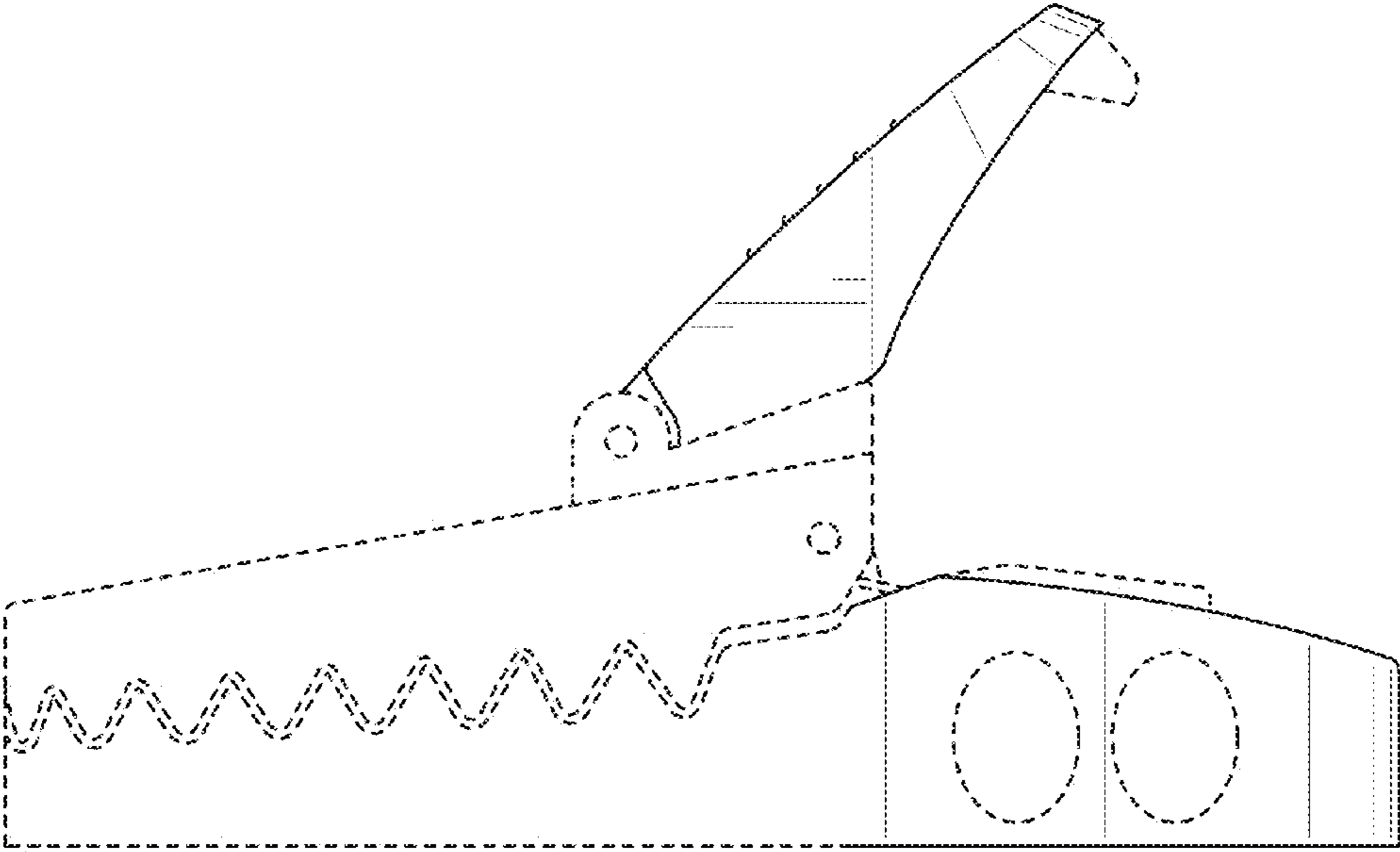


FIG. 12

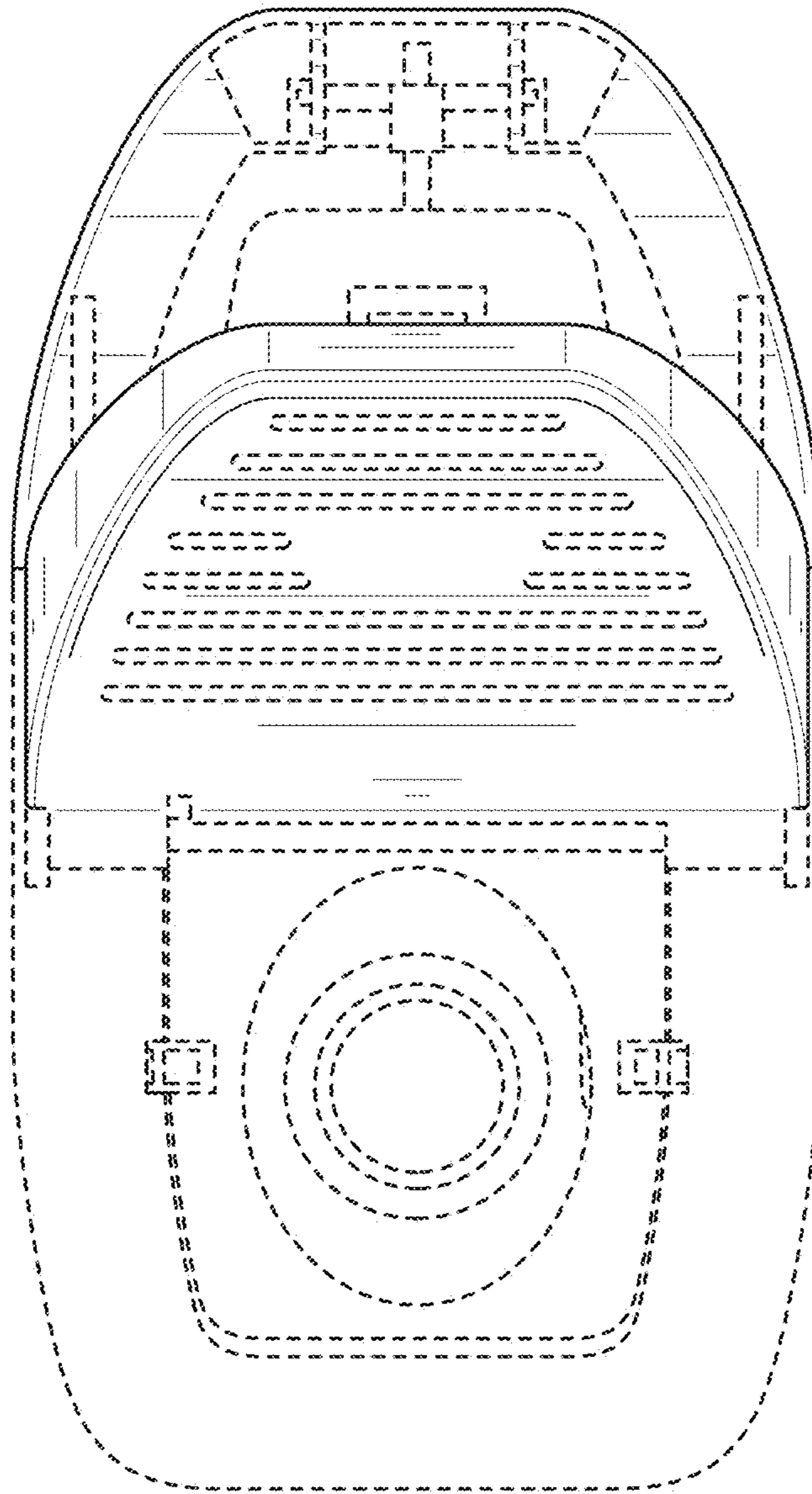


FIG. 13

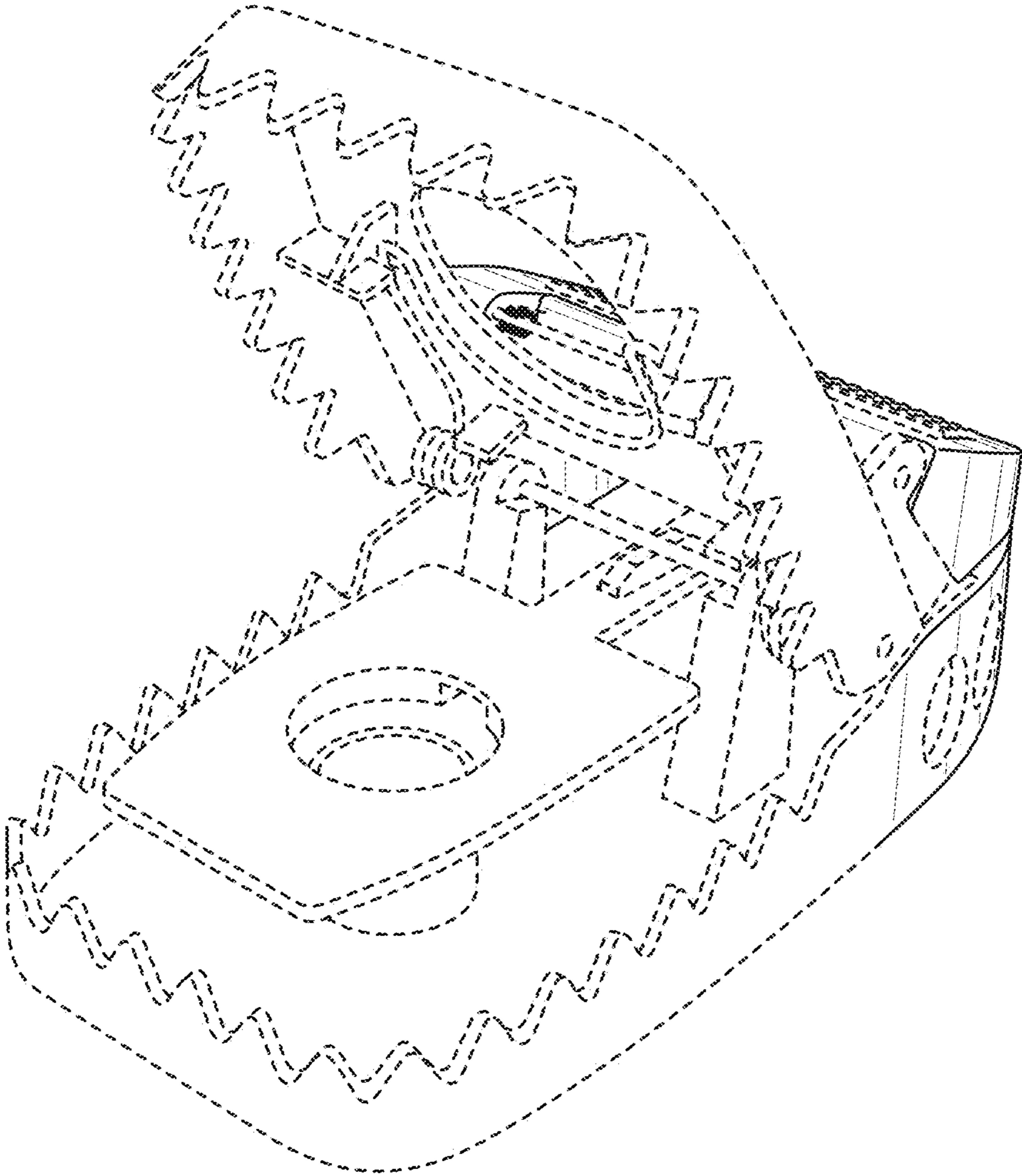


FIG. 14

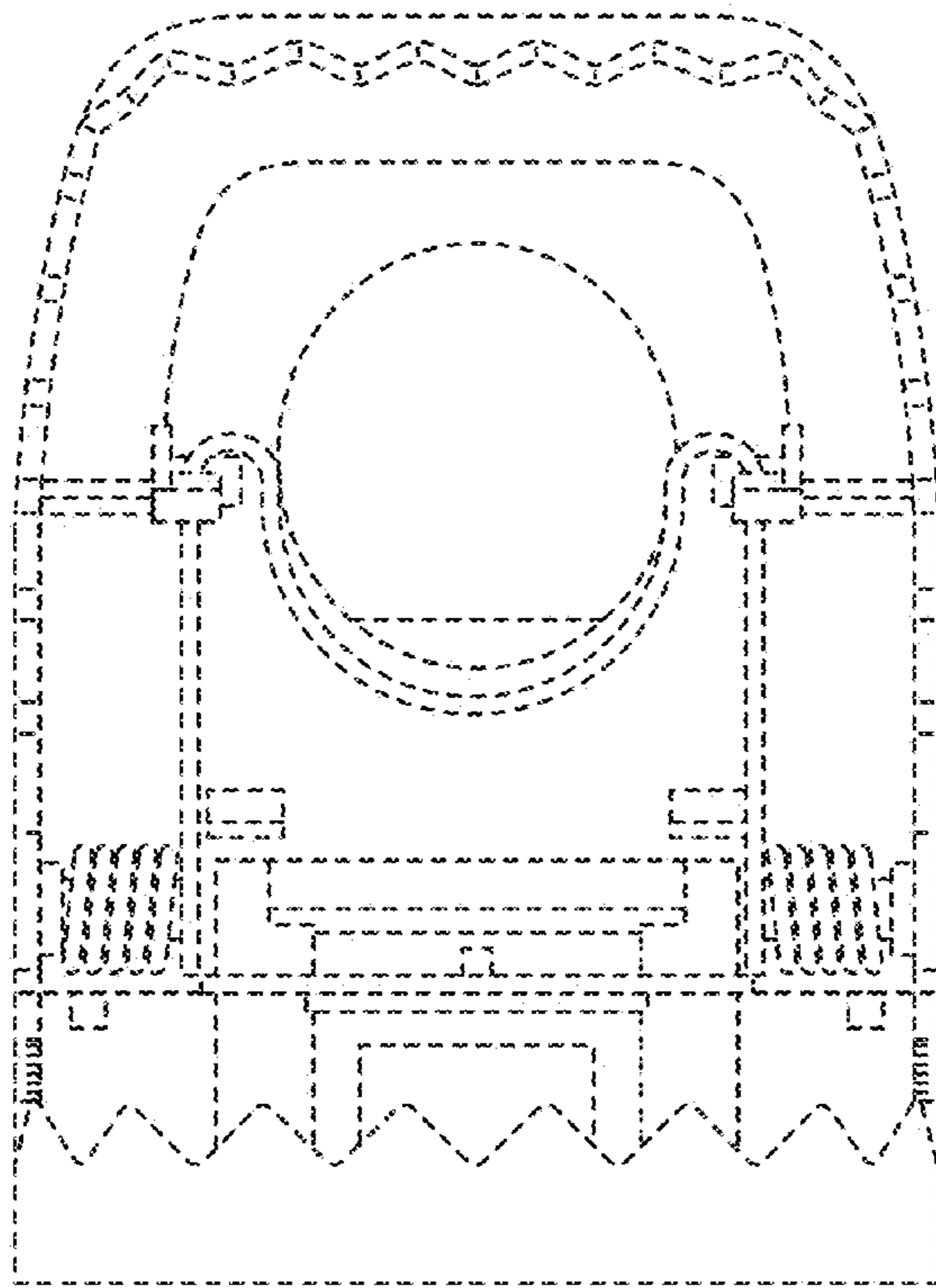


FIG. 15

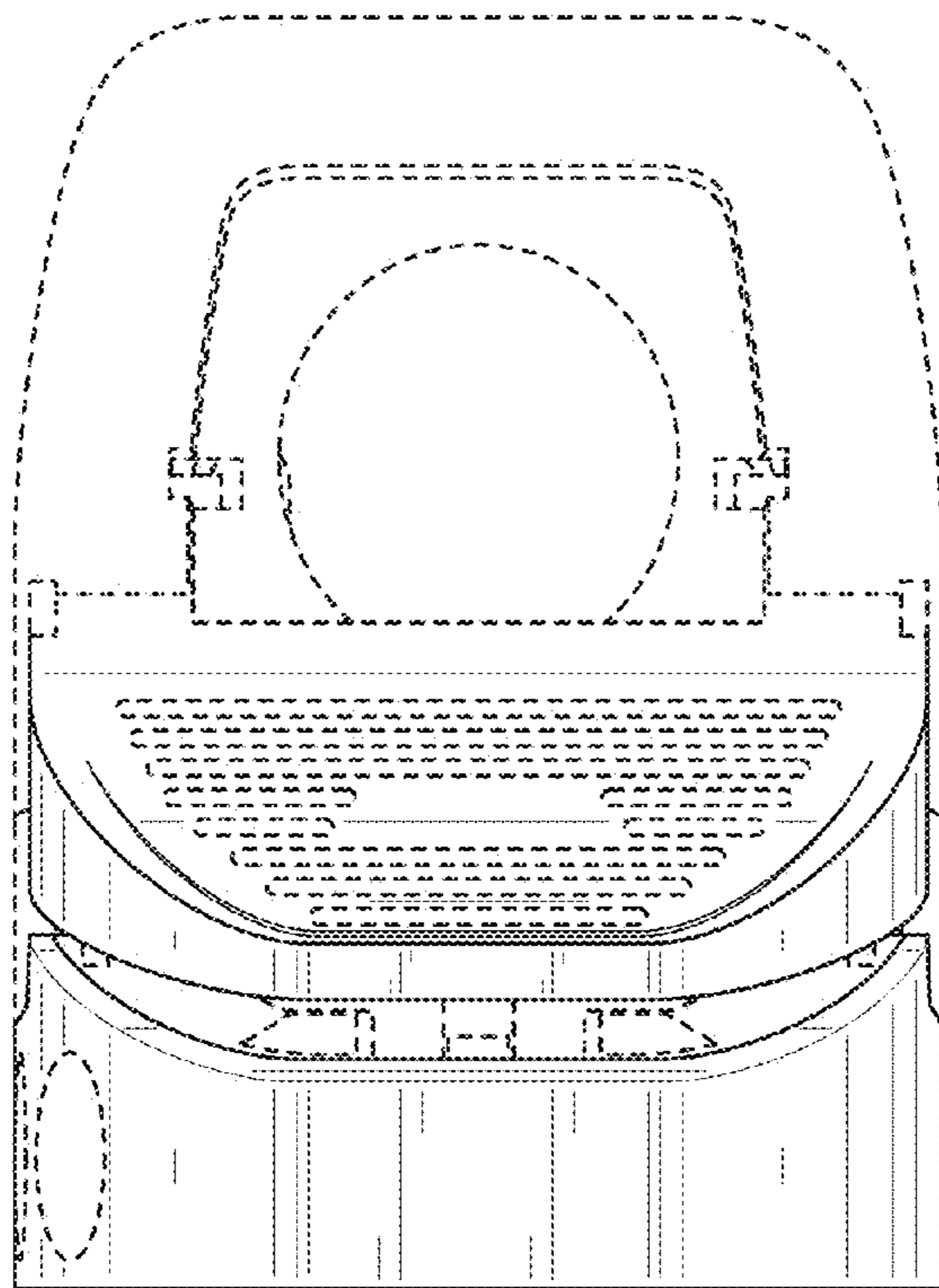


FIG. 16

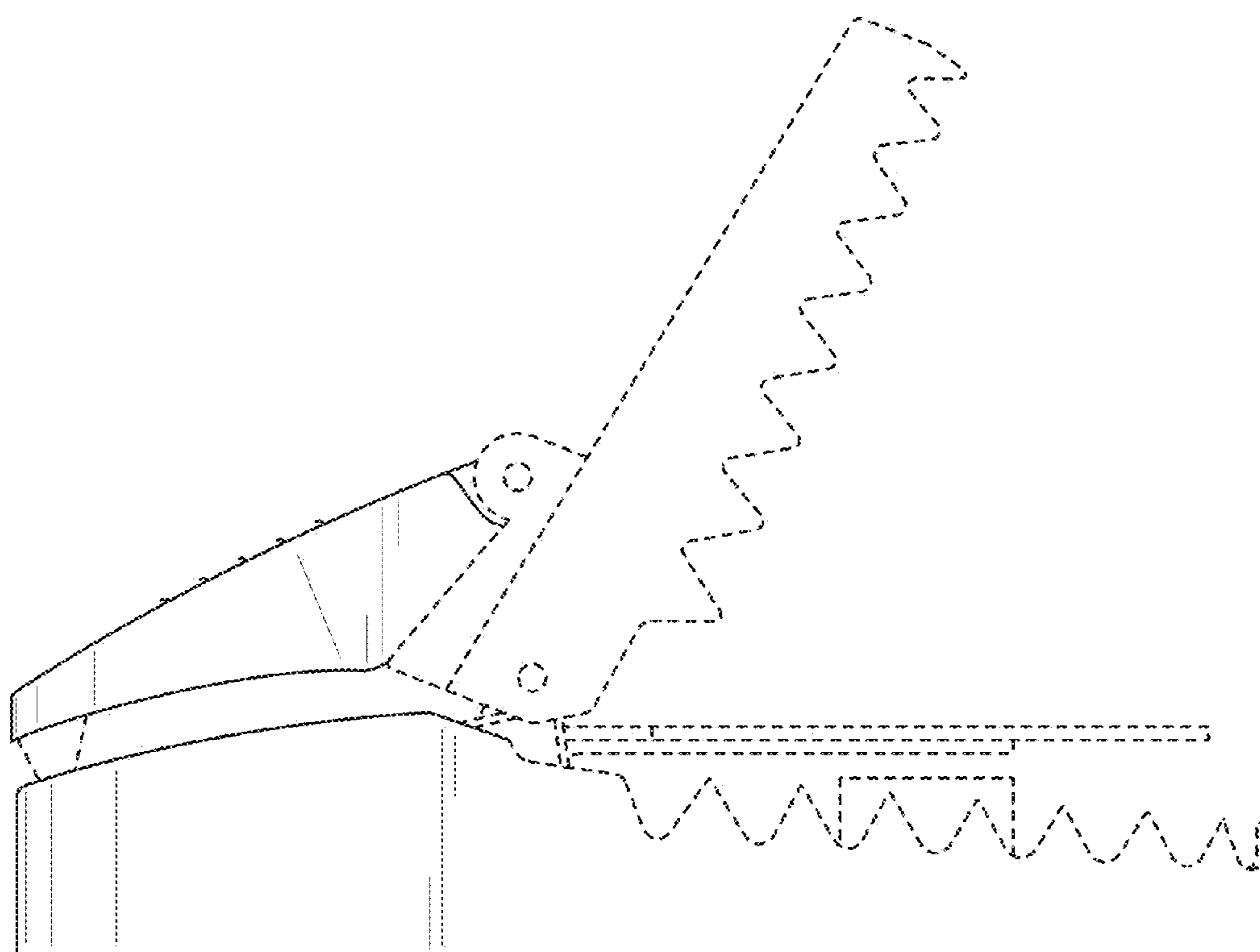


FIG. 17

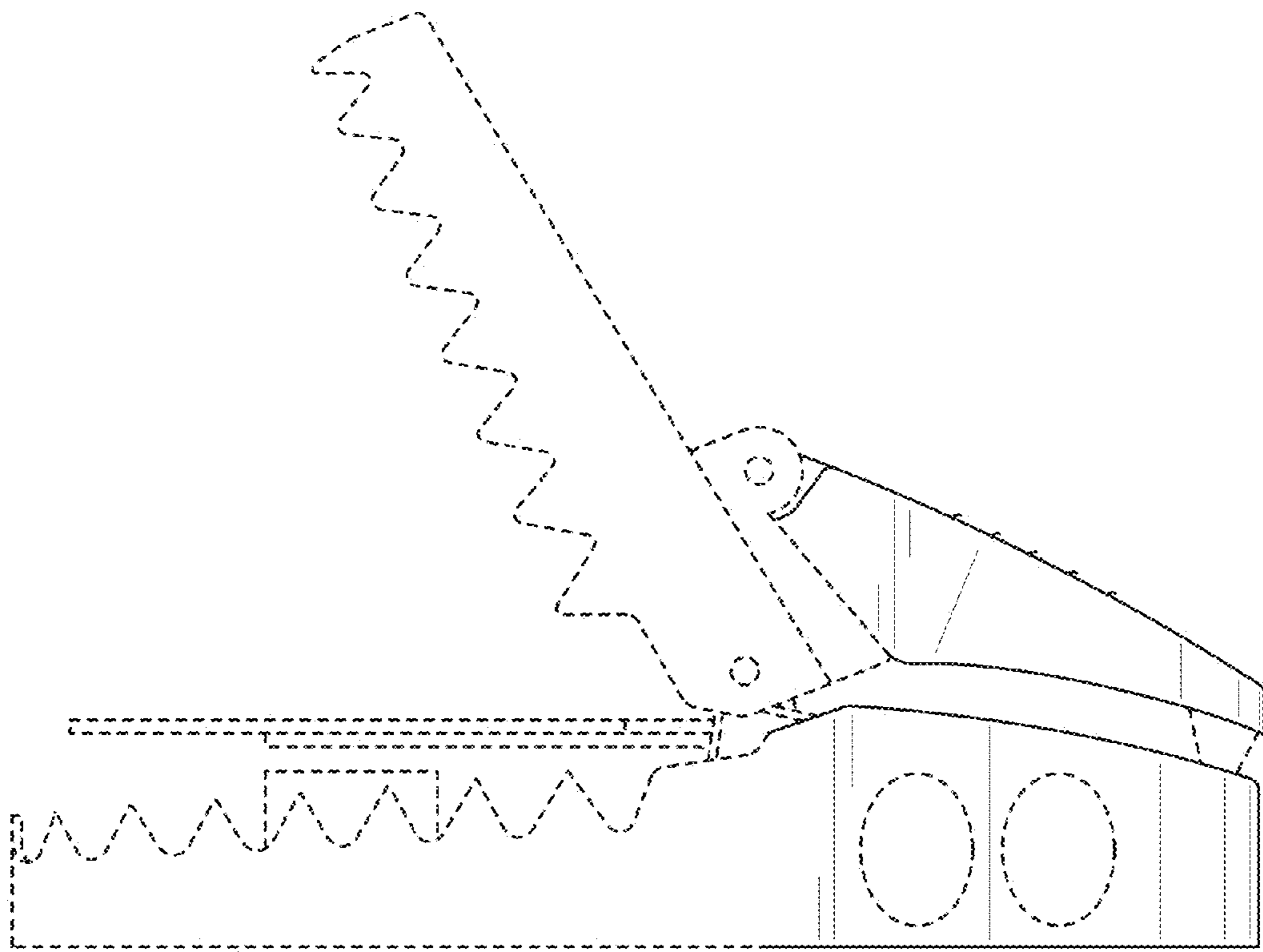


FIG. 18

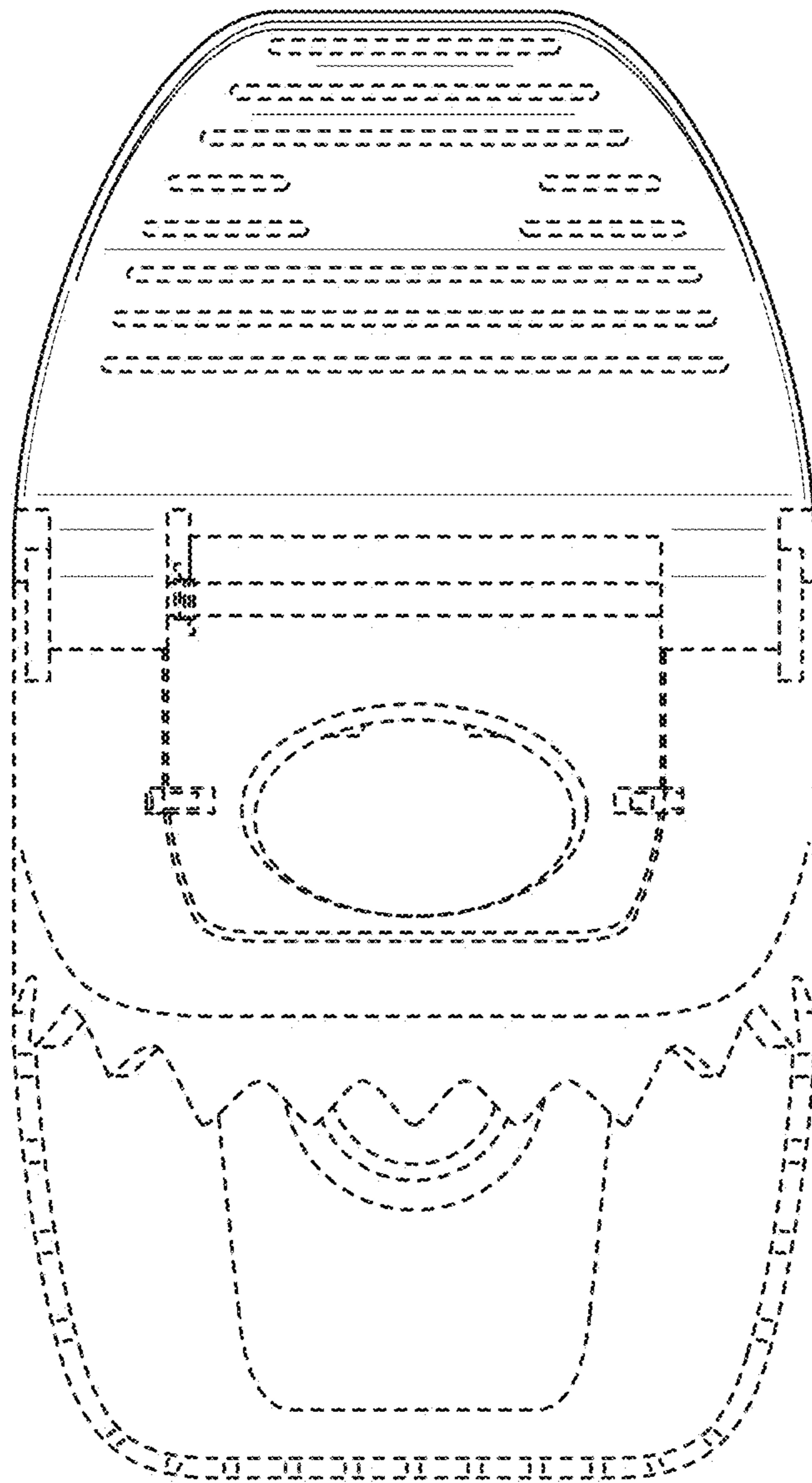


FIG. 19