



US00D713488S

(12) **United States Design Patent**
Dobias et al.

(10) **Patent No.:** **US D713,488 S**

(45) **Date of Patent:** **** Sep. 16, 2014**

(54) **ANIMAL TRAP**

- (71) Applicant: **OMS Investments, Inc.**, Los Angeles, CA (US)
- (72) Inventors: **Scott F. Dobias**, Powell, OH (US); **Katie Denise Chapman**, Columbus, OH (US); **Mou Li Lin**, Tainan (TW); **Tsung Yi Chung**, Tainan (TW); **Di Jun Yan**, Hanyang (CN); **Thomas Paul Danniger**, Ostrander, OH (US)
- (73) Assignee: **OMS Investments, Inc.**, Los Angeles, CA (US)
- (**) Term: **14 Years**
- (21) Appl. No.: **29/471,413**
- (22) Filed: **Oct. 31, 2013**

Related U.S. Application Data

- (60) Continuation of application No. 29/433,258, filed on Sep. 27, 2012, now abandoned, which is a division of application No. 29/365,929, filed on Jul. 16, 2010, now Pat. No. Des. 671,186.
- (51) **LOC (10) Cl.** **22-06**
- (52) **U.S. Cl.**
USPC **D22/119**
- (58) **Field of Classification Search**
USPC D22/119-124; 43/60-61, 65-66, 82, 43/112-113, 124, 131, 132.1
See application file for complete search history.

(56) **References Cited**

U.S. PATENT DOCUMENTS

4,665,644	A	5/1987	Vajs
D320,833	S	10/1991	Lumsden
D323,016	S	1/1992	Vajs
5,337,512	A	8/1994	Krenzler
6,508,031	B1	1/2003	Johnson et al.
D532,478	S	11/2006	Wiesener
D616,958	S	6/2010	Huang

FOREIGN PATENT DOCUMENTS

GB 233219 5/1925

OTHER PUBLICATIONS

International Search Report with Written Opinion from PCT/US2011/044197, dated Dec. 12, 2011.

Primary Examiner — Catheri Oliver-Garcia
(74) *Attorney, Agent, or Firm* — Hunton & Williams LLP

(57) **CLAIM**
We claim the ornamental design for an animal trap, as shown and described.

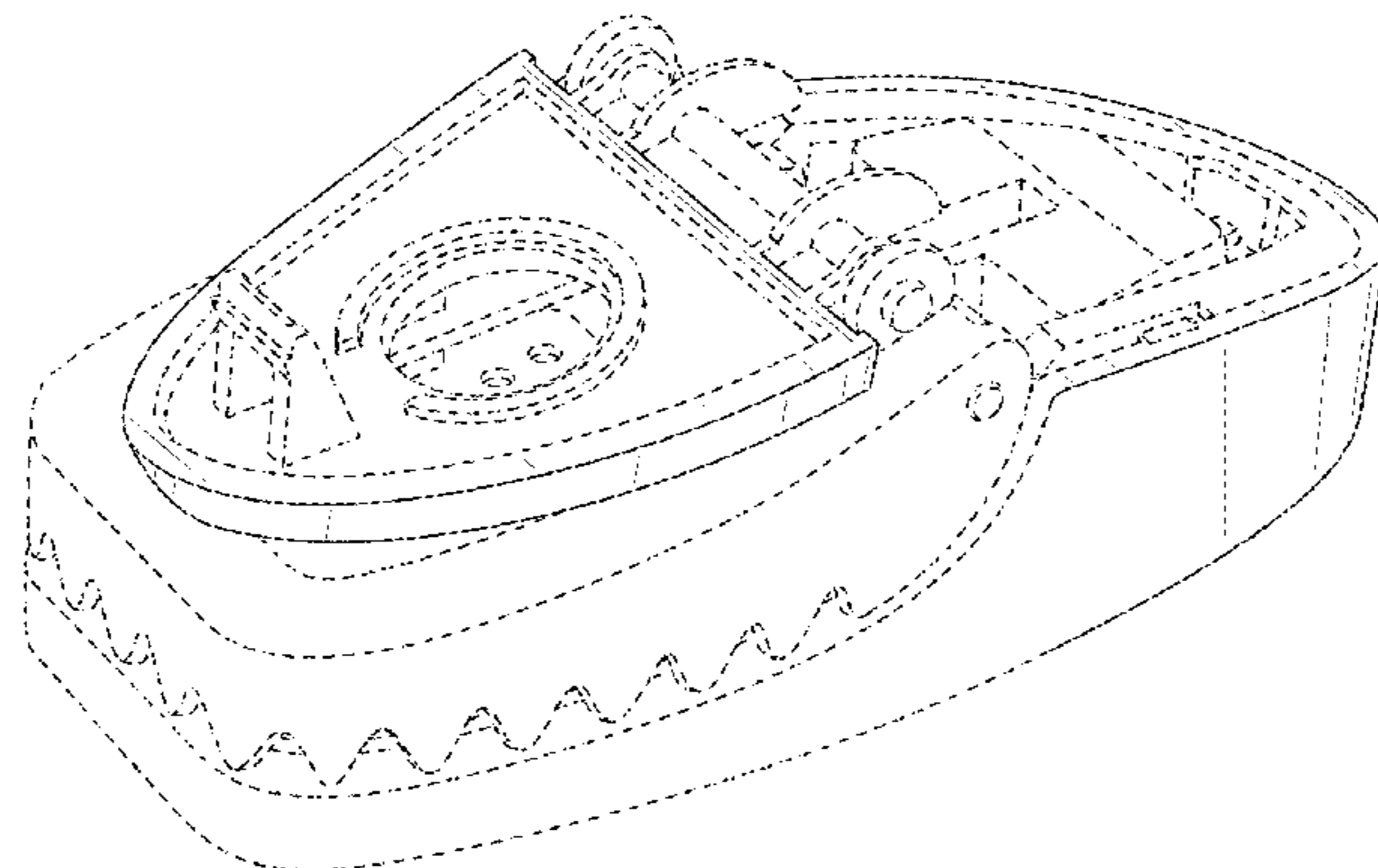
DESCRIPTION

This application is related to U.S. patent application Ser. No. 12/838,092, filed Jul. 16, 2010, now U.S. Pat. No. 8,490,322, entitled "Animal Trap with Collapsible Arm," and to U.S. Design patent application Ser. No. 29/365,930, filed Jul. 16, 2010, now U.S. Pat. No. D671,614, entitled "Animal Trap," the contents of which are incorporated herein in their respective entirety to the extent that it is consistent with this invention and application.

FIG. 1 is a perspective view of an animal trap shown in a first position;
 FIG. 2 is a front elevation view thereof;
 FIG. 3 is a rear elevation view thereof;
 FIG. 4 is a side elevation view thereof;
 FIG. 5 is an opposite side elevation view thereof;
 FIG. 6 is a top view thereof;
 FIG. 7 is a bottom view thereof;
 FIG. 8 is a perspective view of an animal trap in a second position;
 FIG. 9 is a front elevation view thereof;
 FIG. 10 is a rear elevation view thereof;
 FIG. 11 is a side elevation view thereof;
 FIG. 12 is an opposite side view thereof;
 FIG. 13 is a top view thereof;
 FIG. 14 is a perspective view of an animal trap in a third position;
 FIG. 15 is a front elevation view thereof;
 FIG. 16 is a rear elevation view thereof;
 FIG. 17 is a side elevation view thereof;
 FIG. 18 is an opposite side elevation view thereof; and,
 FIG. 19 is a top view thereof.

The broken lines in the drawing figures are directed to the environment related to the claimed design and are for illustrative purposes only; the broken lines form no part of the claimed design.

1 Claim, 16 Drawing Sheets



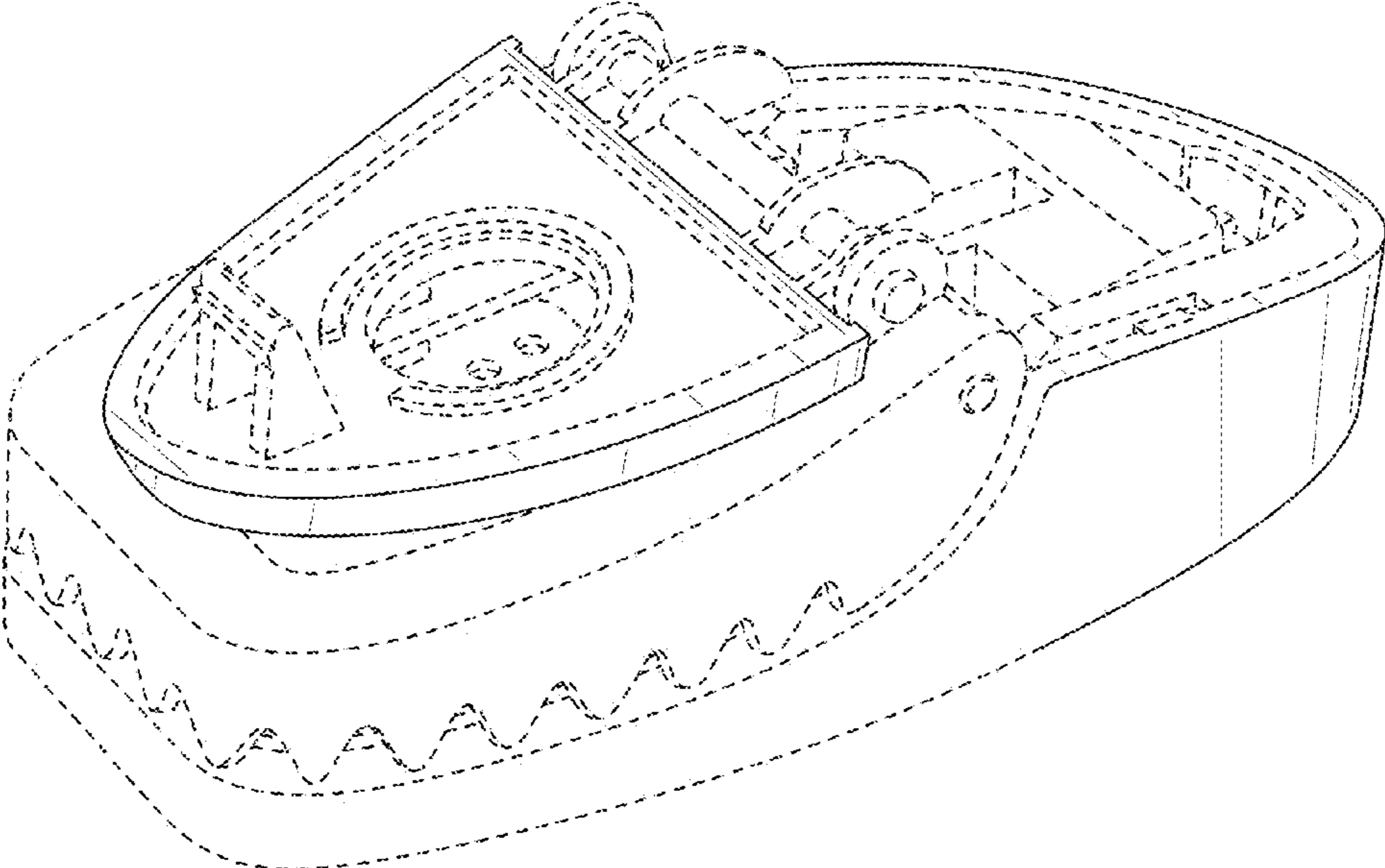


FIG. 1

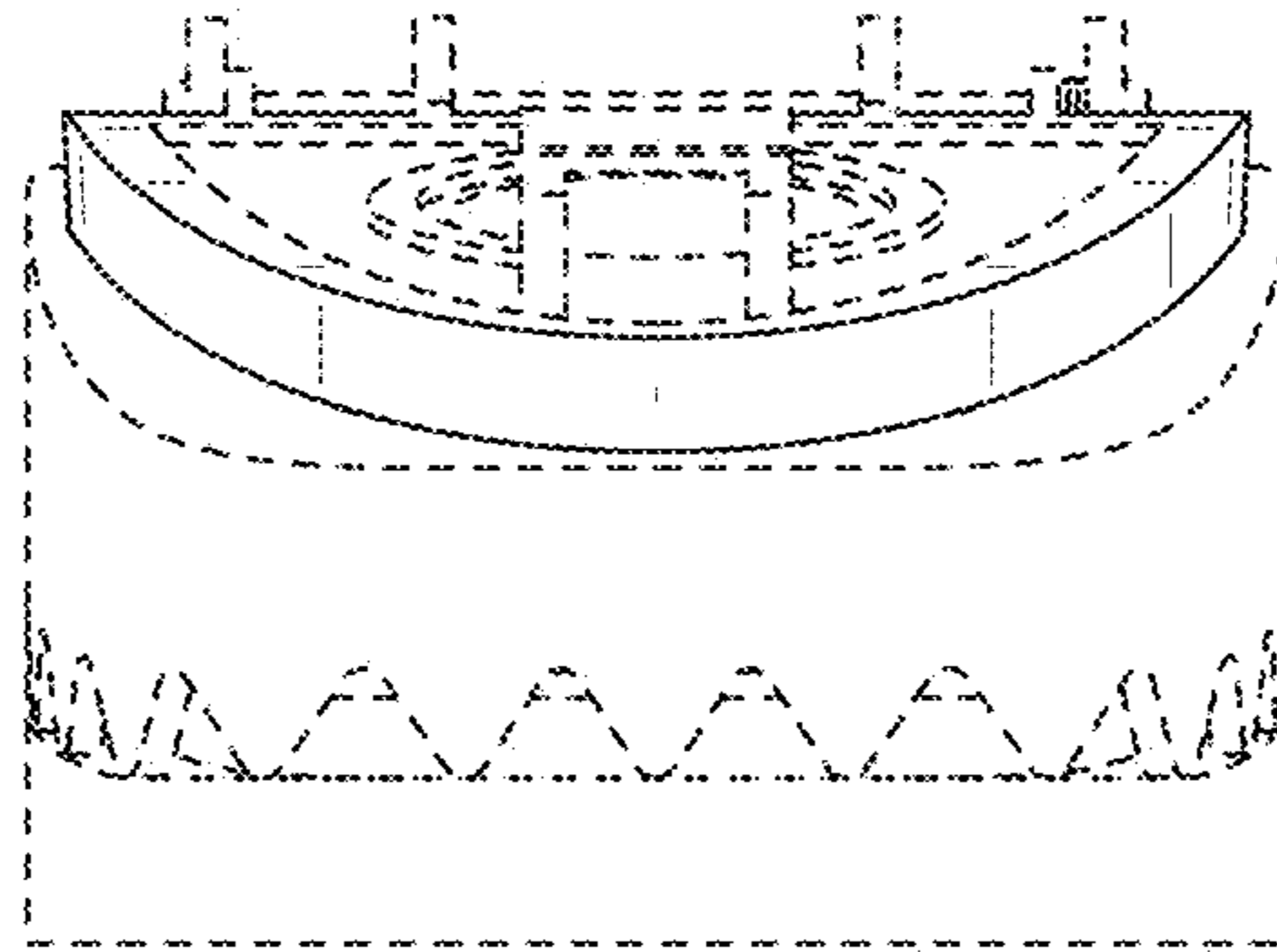


FIG. 2

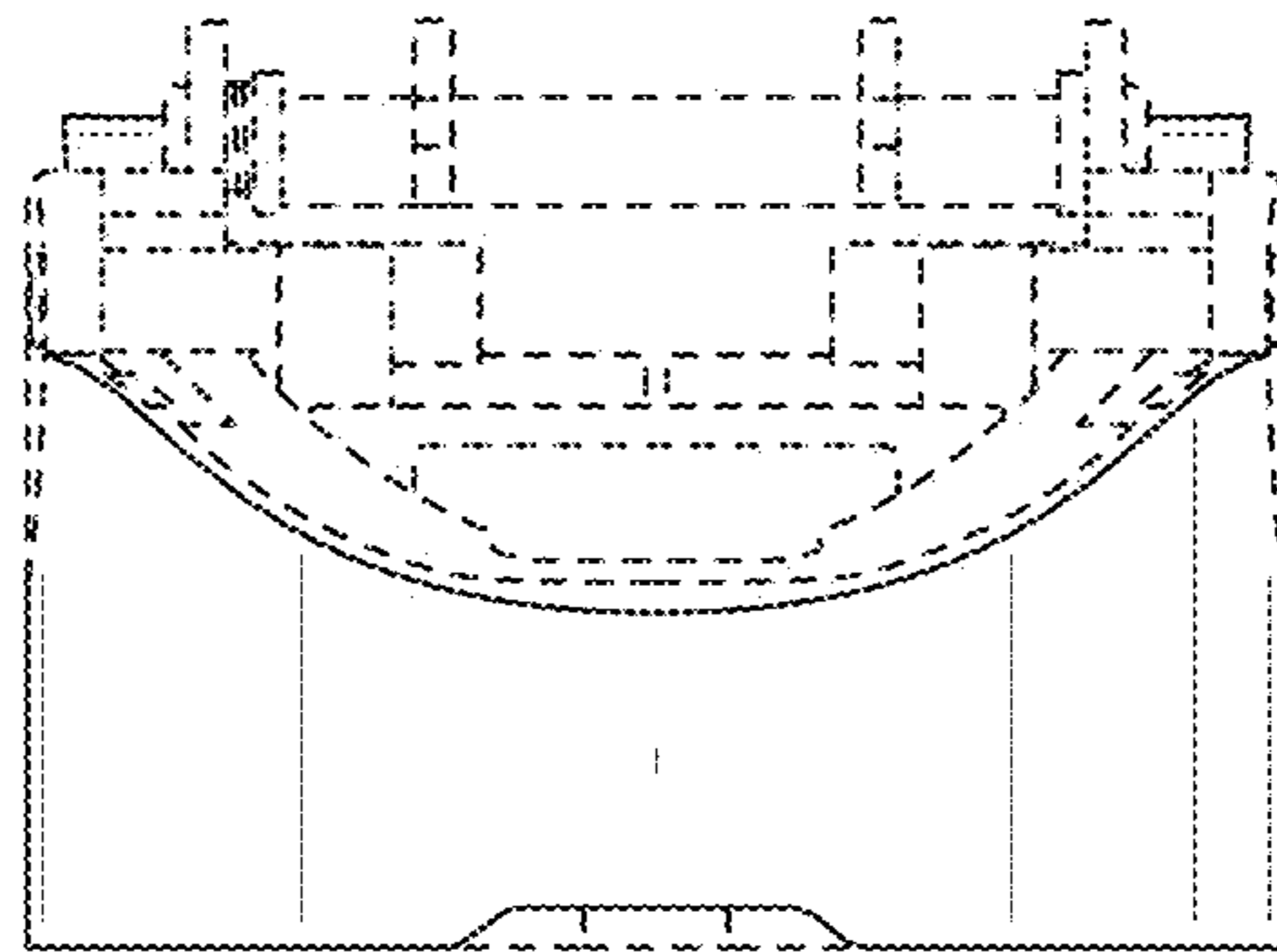


FIG. 3

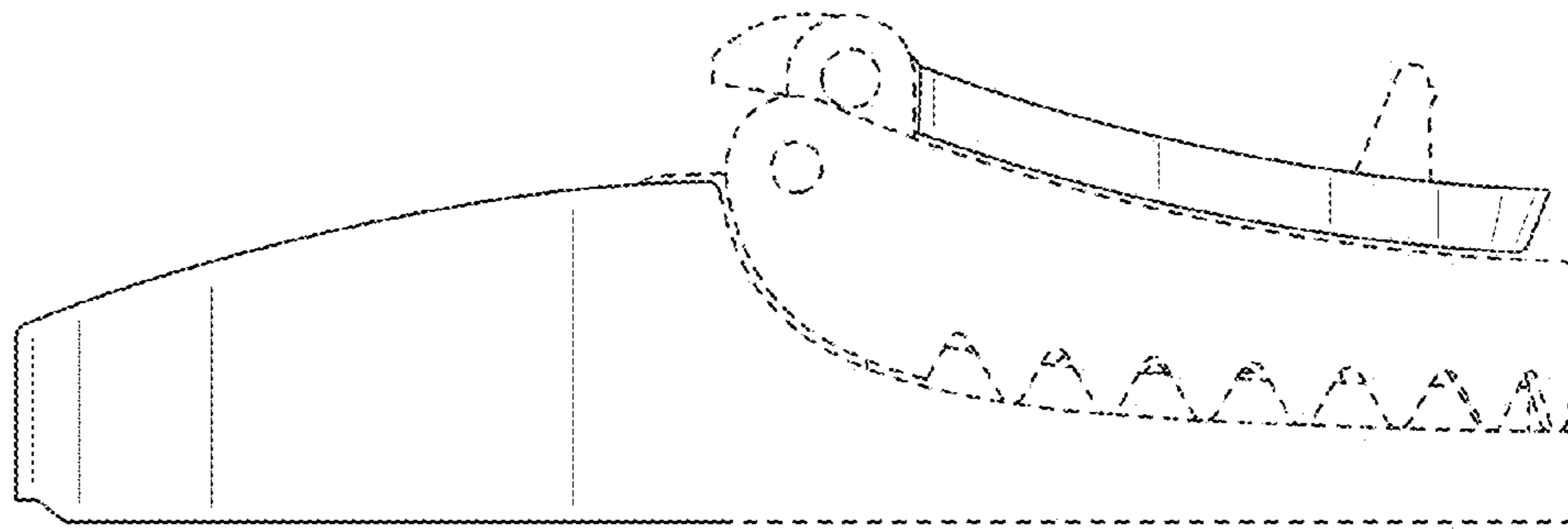


FIG. 4

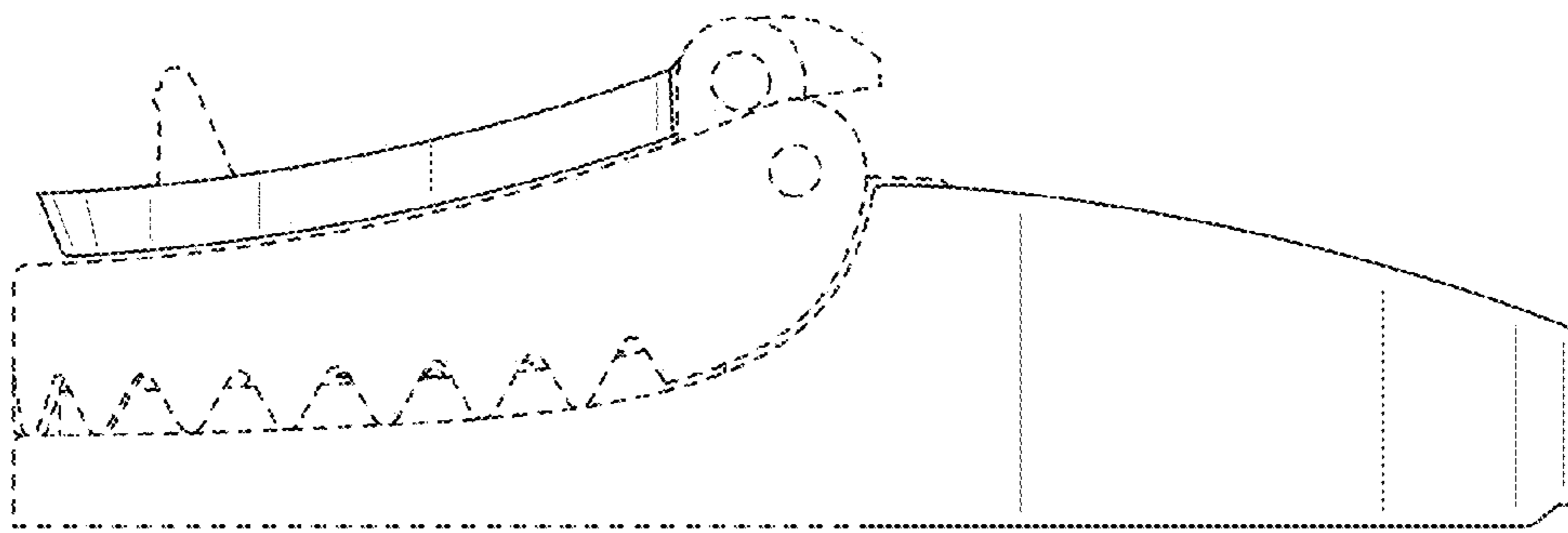


FIG. 5

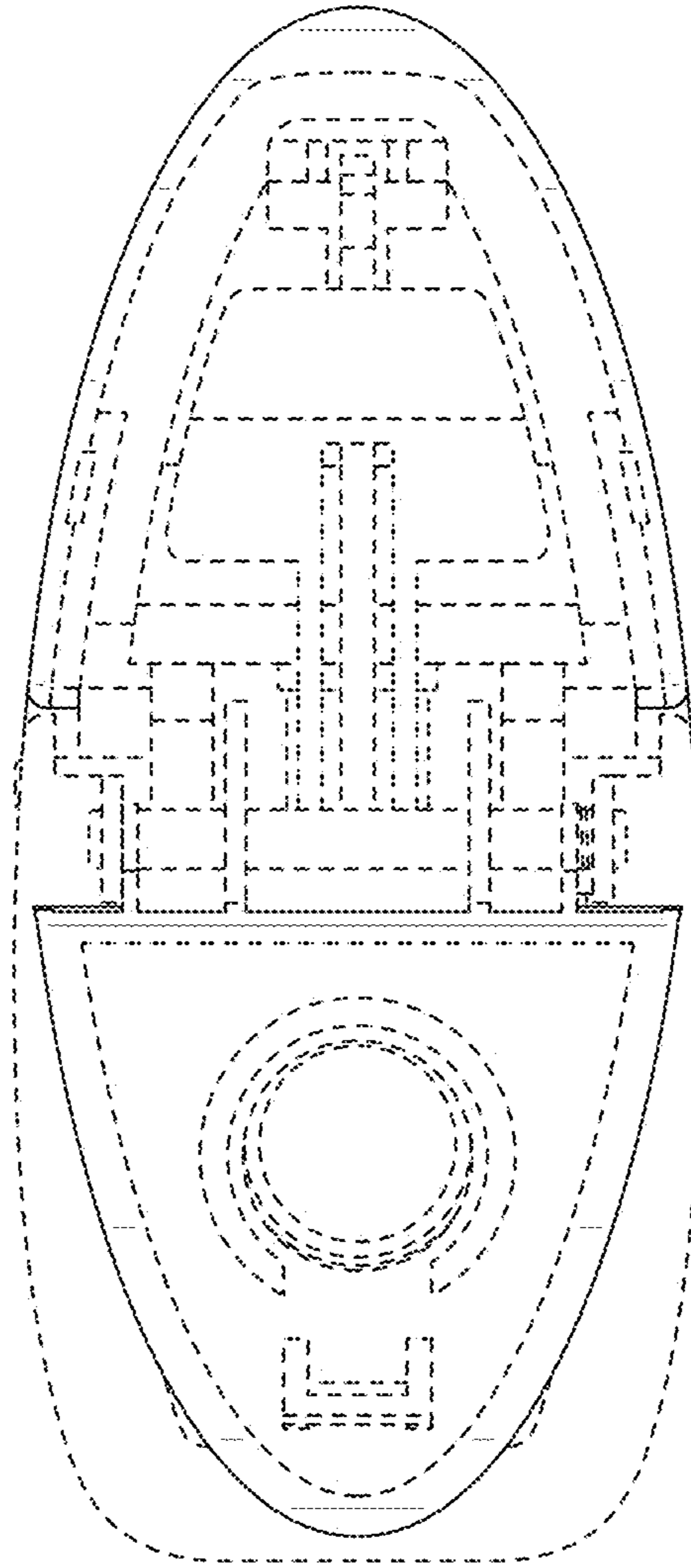


FIG. 6

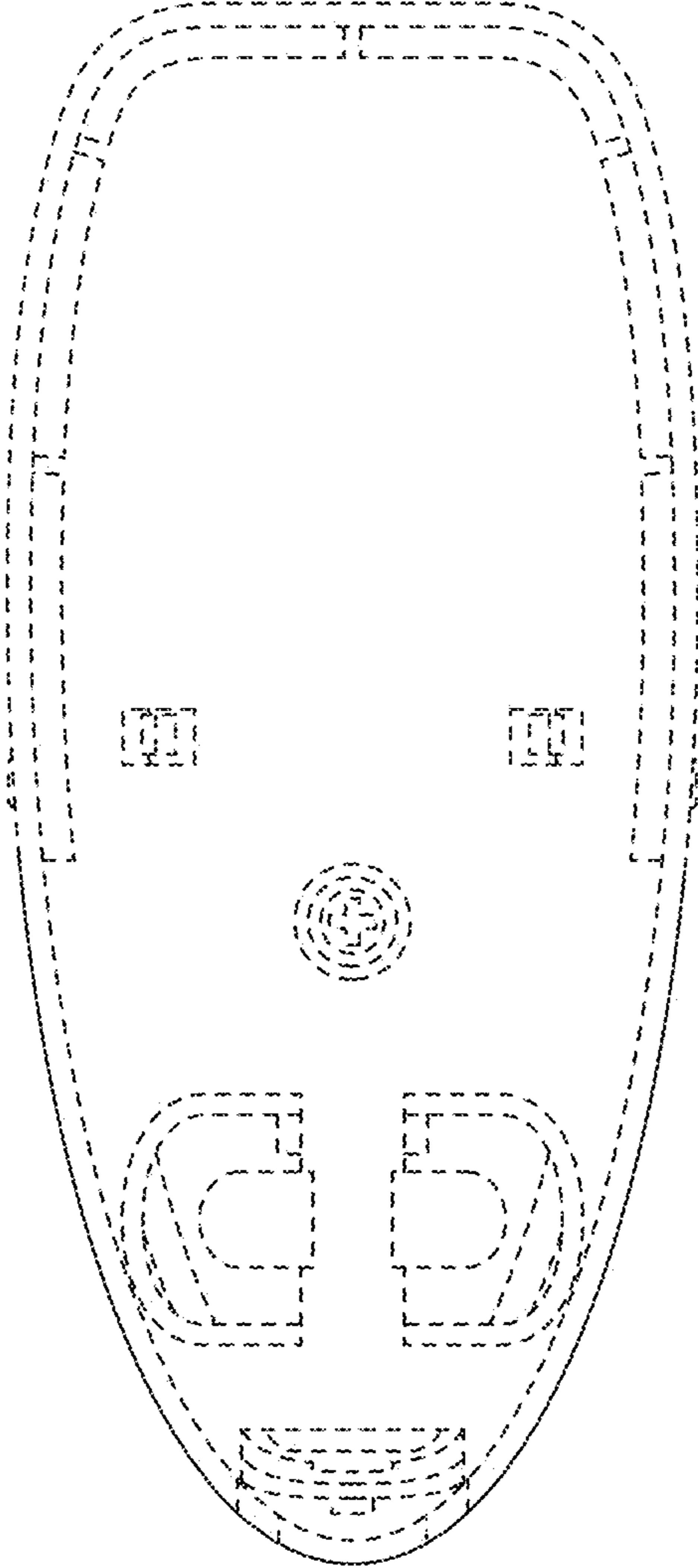


FIG. 7

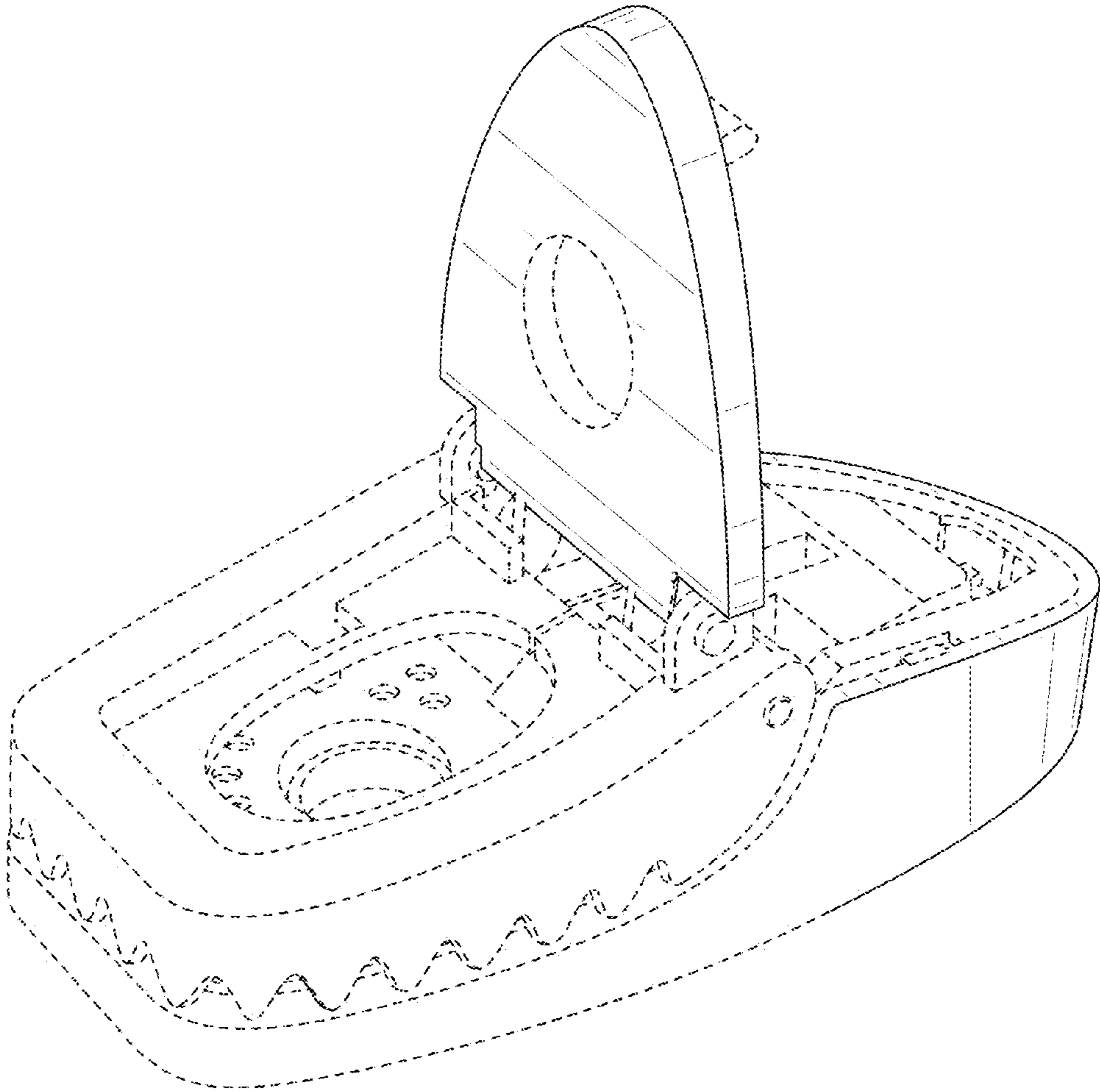


FIG. 8

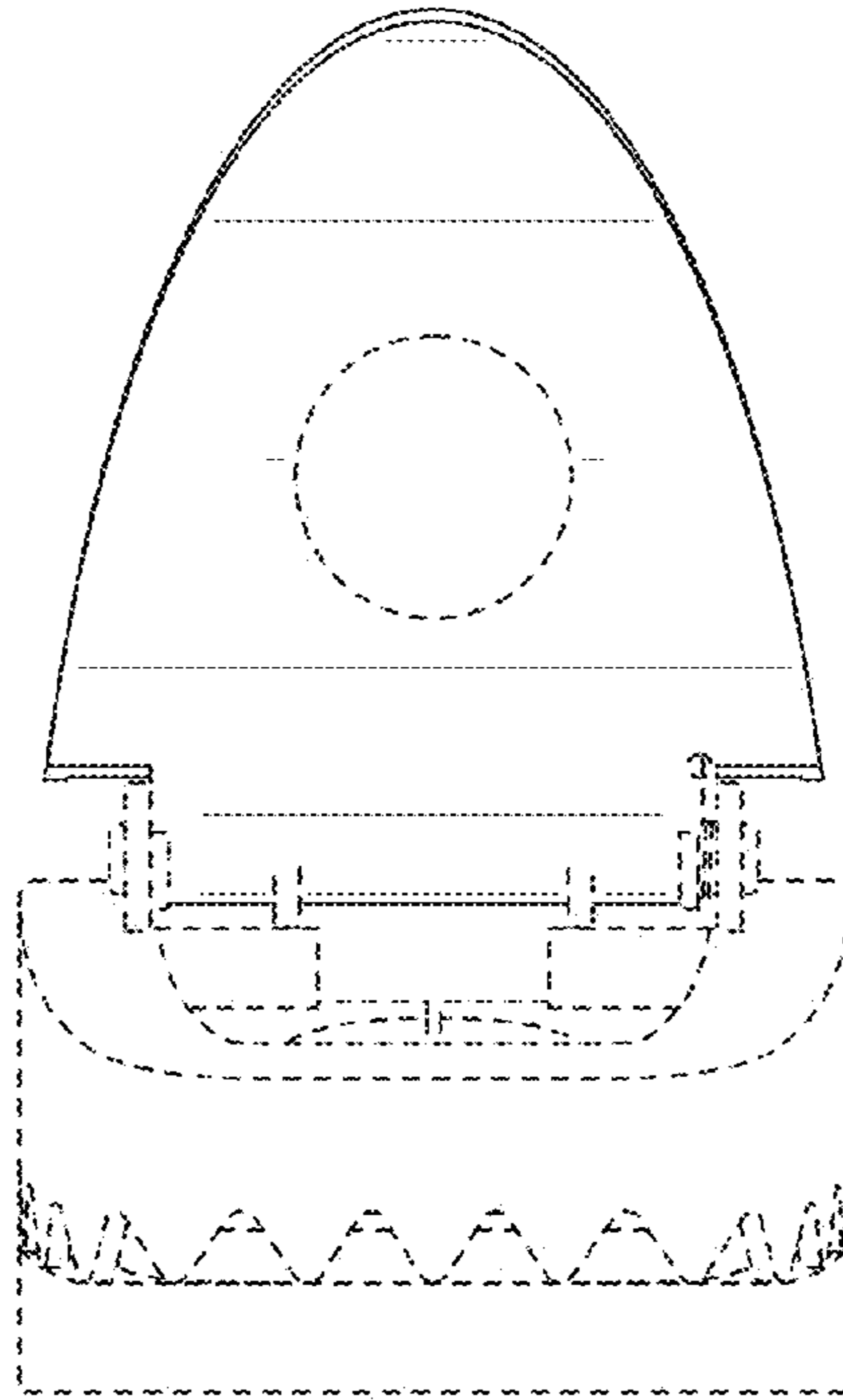


FIG. 9

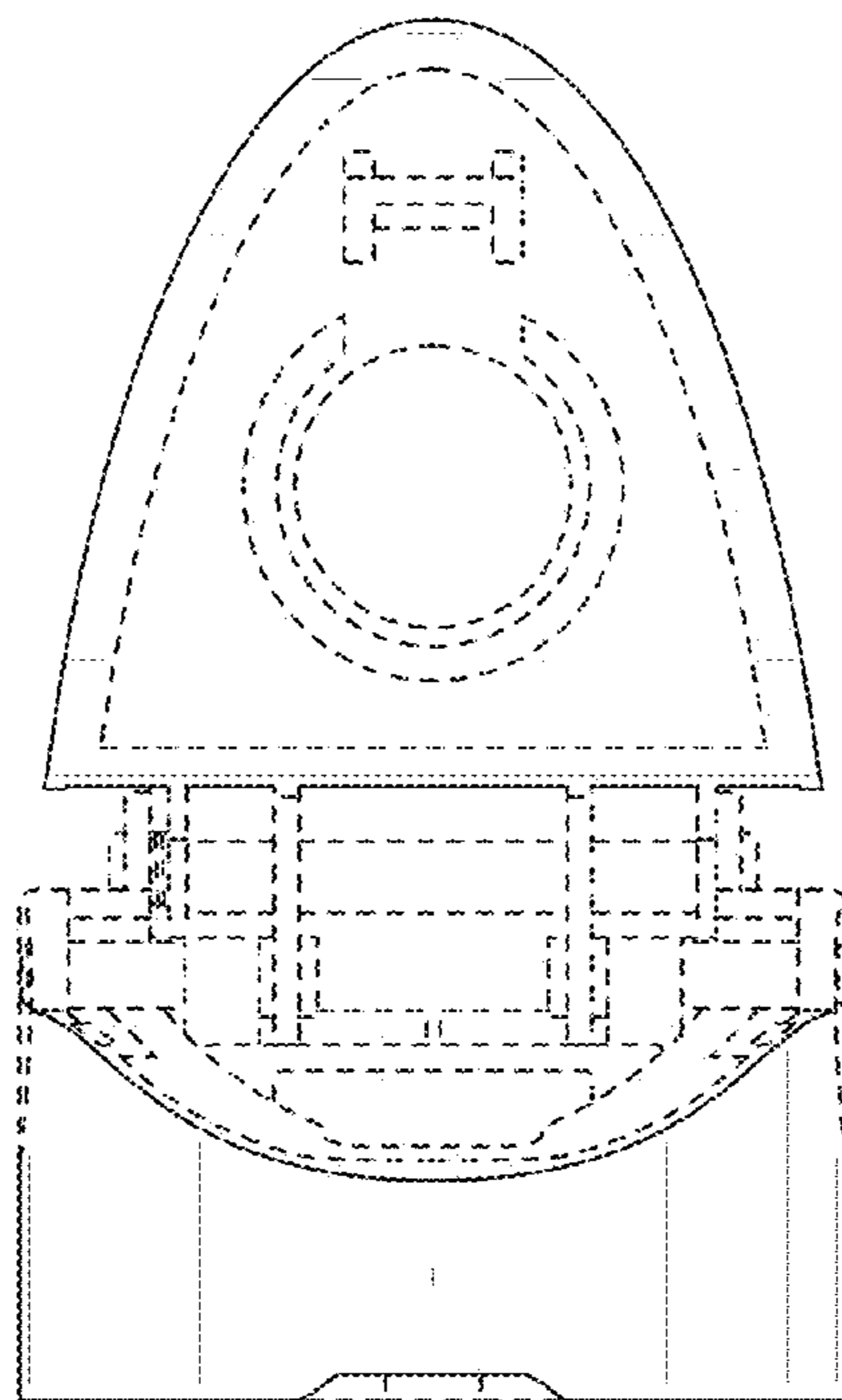


FIG. 10

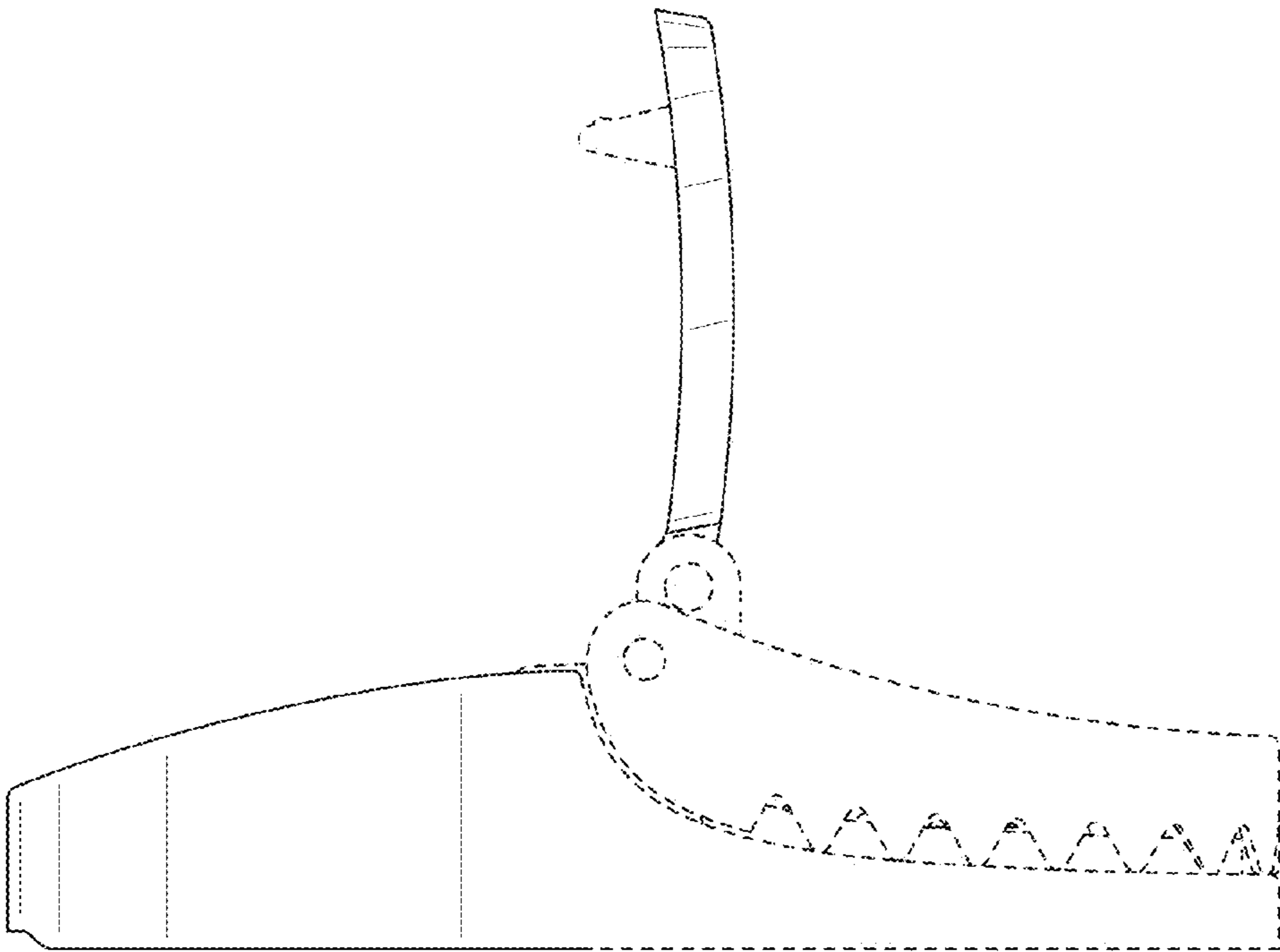


FIG. 11

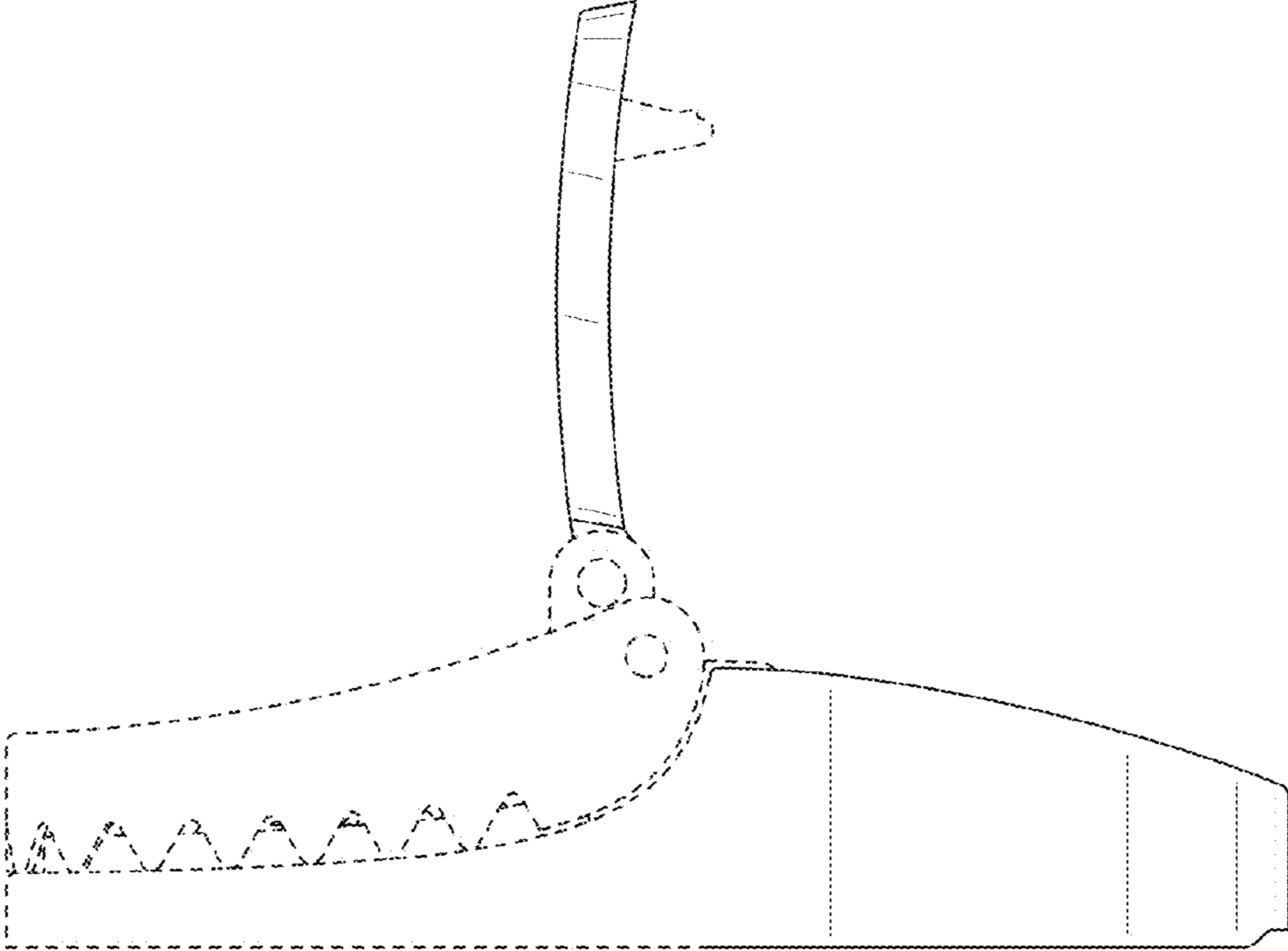


FIG. 12

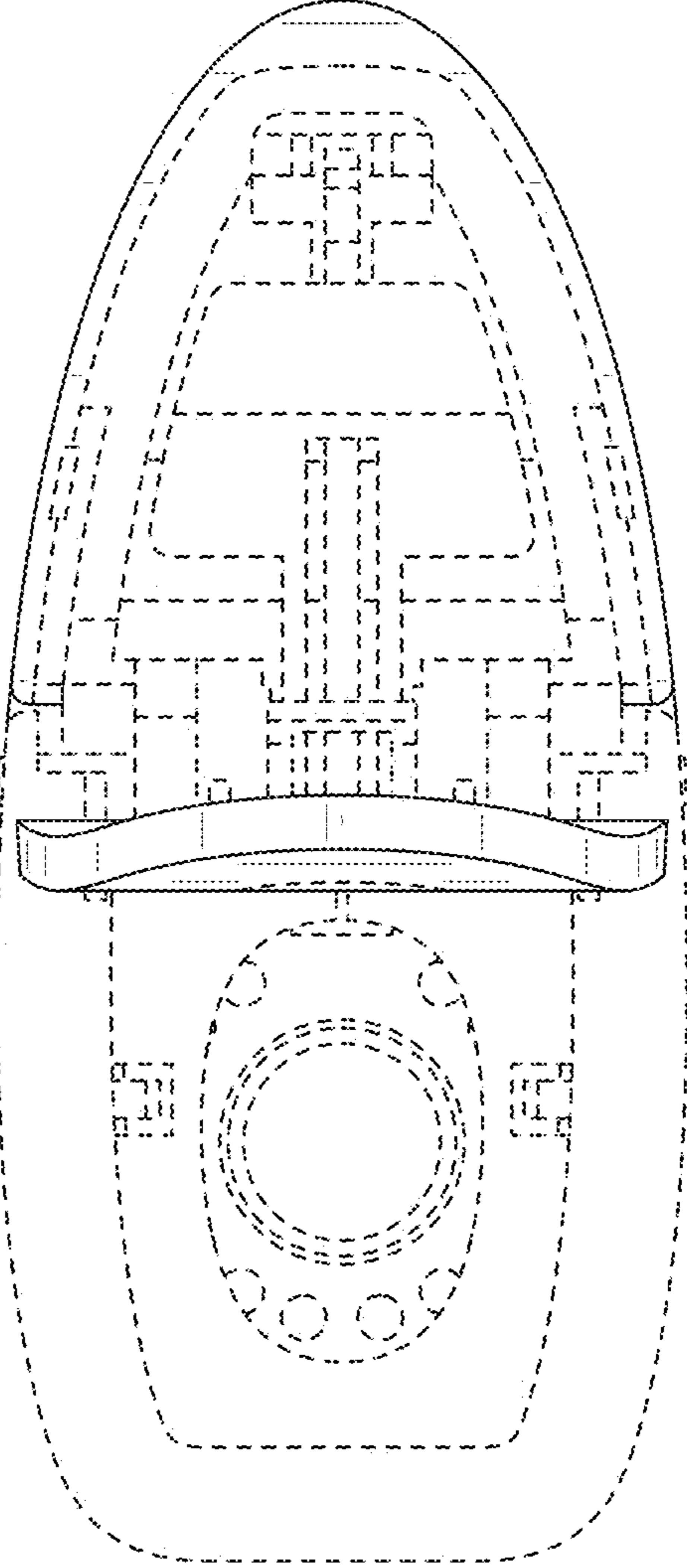


FIG. 13

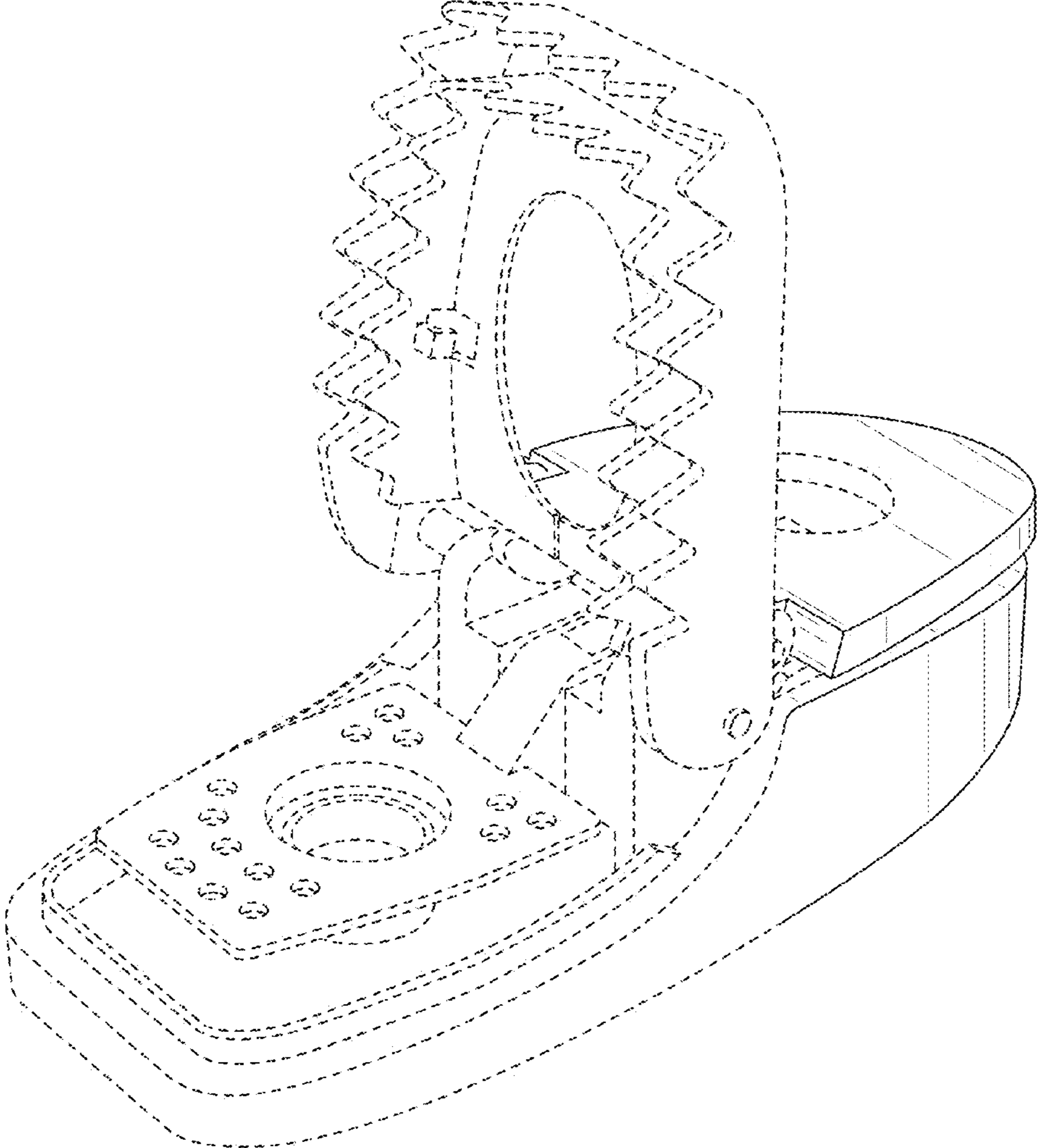


FIG. 14

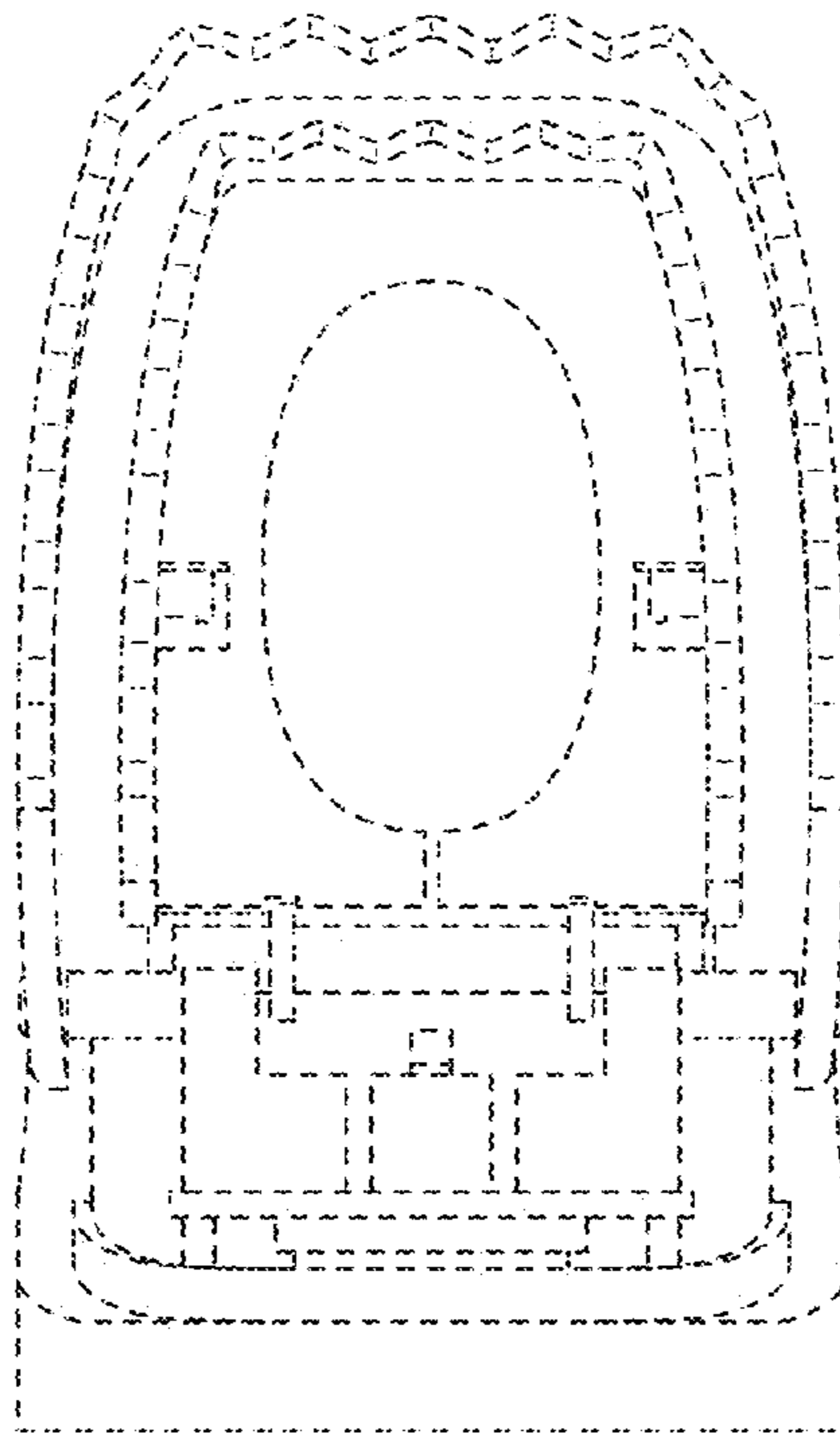


FIG. 15

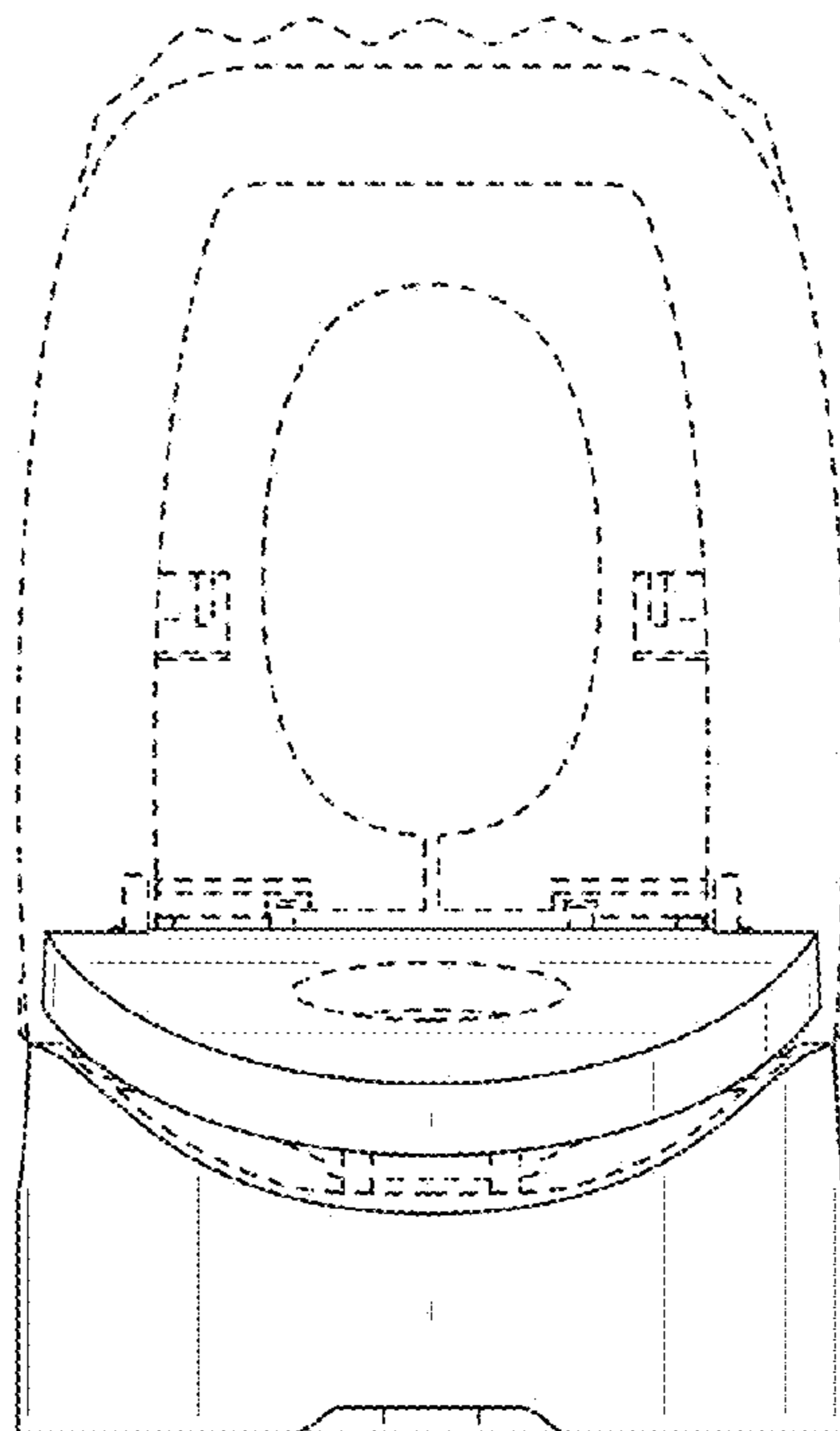


FIG. 16

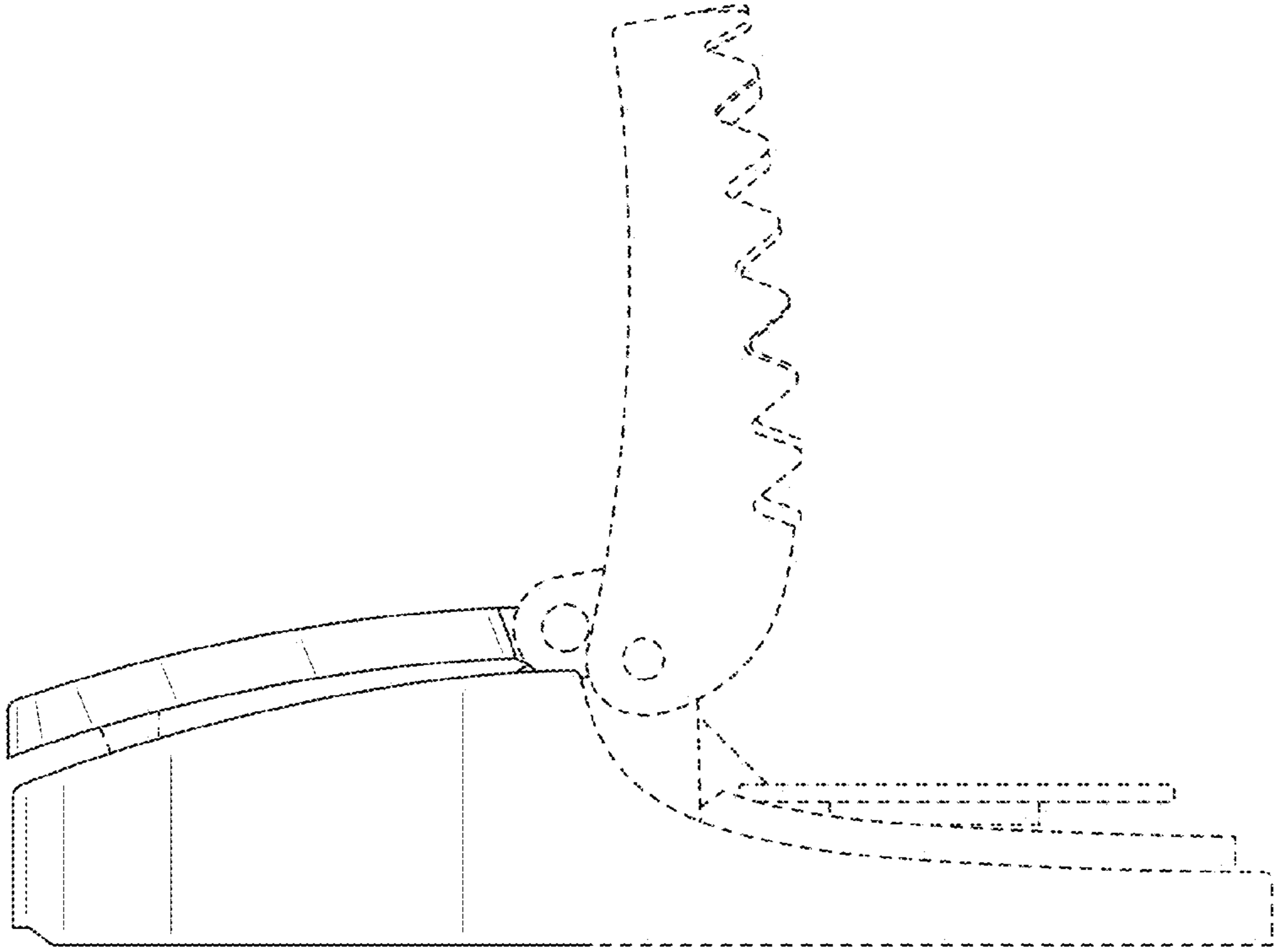


FIG. 17

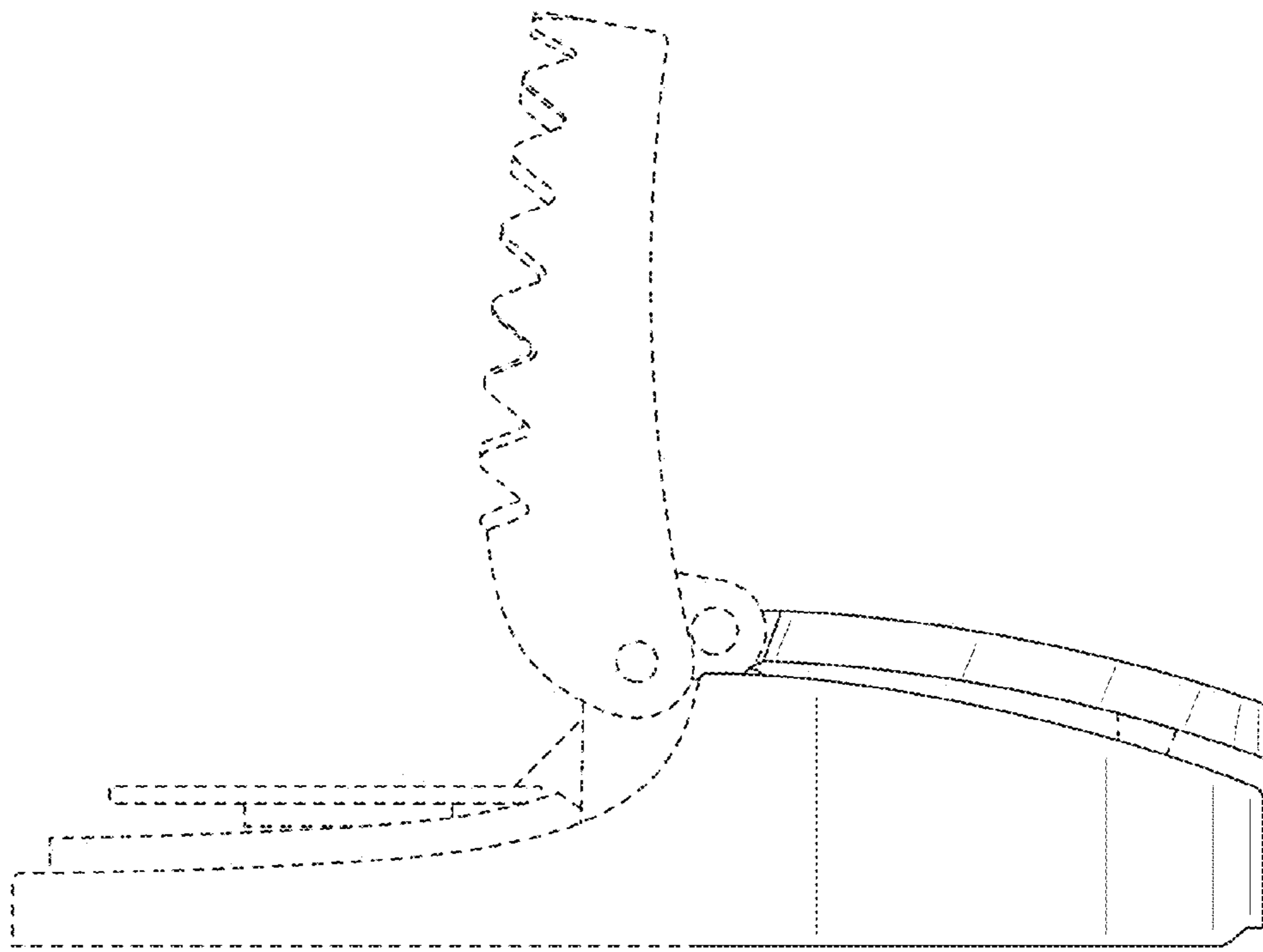


FIG. 18

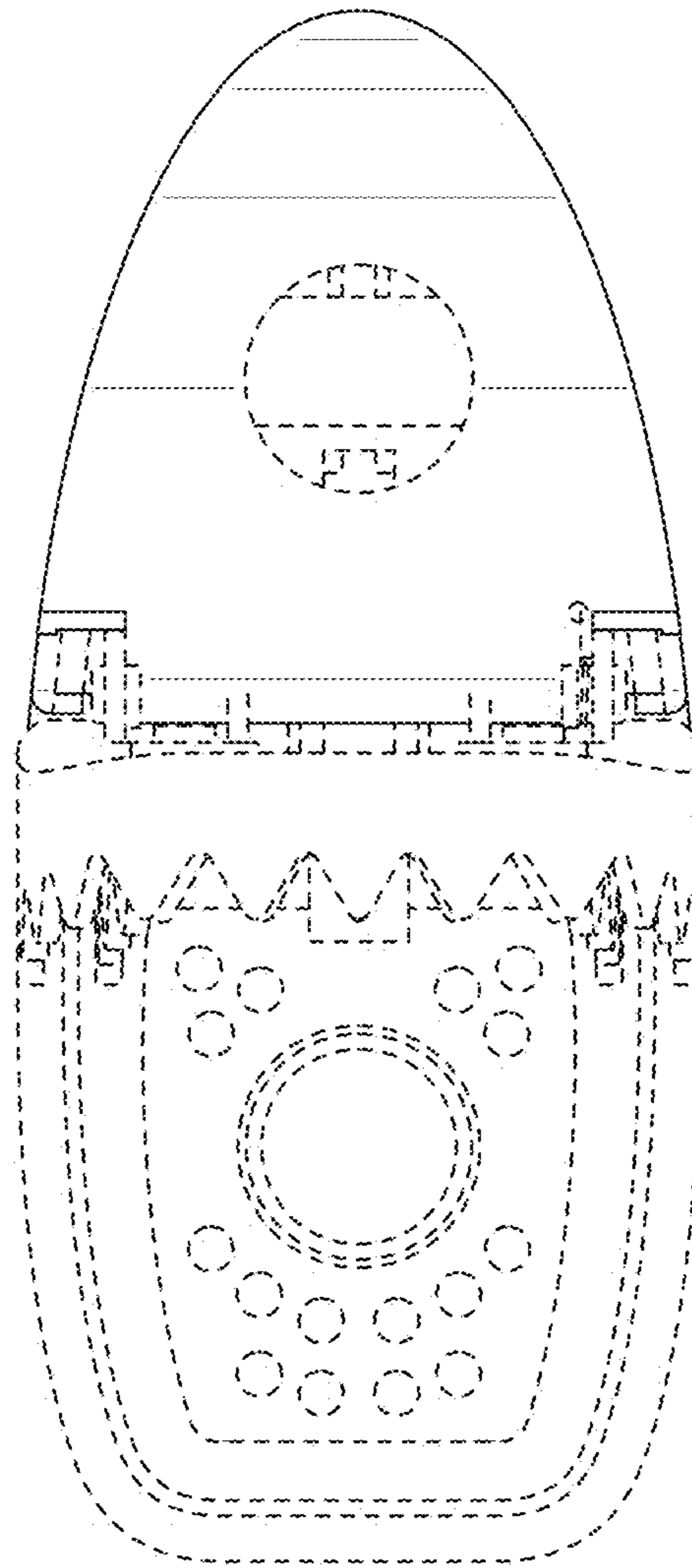


FIG. 19