



US00D713486S

(12) **United States Design Patent**
Acarreta

(10) **Patent No.:** **US D713,486 S**

(45) **Date of Patent:** **** Sep. 16, 2014**

(54) **TRIGGERS FOR PROJECTILE WEAPONS**

(71) Applicant: **Raul Delgado Acarreta**, Navarra (ES)

(72) Inventor: **Raul Delgado Acarreta**, Navarra (ES)

(**) Term: **14 Years**

(21) Appl. No.: **29/455,654**

(22) Filed: **May 23, 2013**

(30) **Foreign Application Priority Data**

Jan. 15, 2013 (EM) 2166835

(51) **LOC (10) Cl.** **22-01**

(52) **U.S. Cl.**
USPC **D22/108**

(58) **Field of Classification Search**
USPC D22/100, 108, 199; D8/68;
42/71.01-74; 89/1.42
See application file for complete search history.

(56) **References Cited**

U.S. PATENT DOCUMENTS

2,769,191 A * 11/1956 Hunt et al. 15/104.33
7,587,852 B1 * 9/2009 Harms 42/71.02
7,694,449 B1 * 4/2010 Pontillo, II 42/71.02

8,468,734 B2 * 6/2013 Meller et al. 42/90
8,490,311 B2 * 7/2013 Hogue 42/71.01
D697,163 S * 1/2014 Bietsch D22/108
2010/0212203 A1 * 8/2010 McGarry 42/71.02
2012/0055060 A1 * 3/2012 Hines et al. 42/71.01
2013/0139425 A1 * 6/2013 Shepard, Jr. 42/71.01

* cited by examiner

Primary Examiner — Michael A Pratt

(74) *Attorney, Agent, or Firm* — Blank Rome LLP

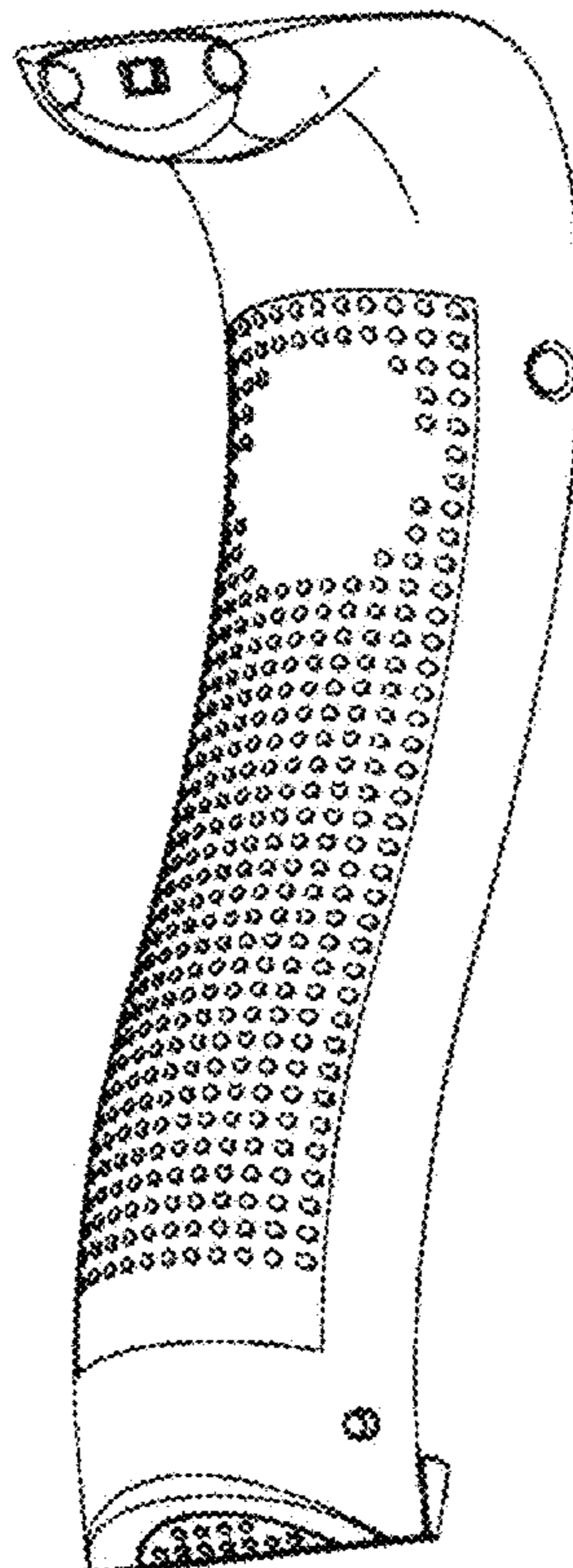
(57) **CLAIM**

I claim an ornamental design for a trigger for projectile weapon, as shown.

DESCRIPTION

FIG. 1 is a perspective view of a trigger for projectile weapon of my new design;
FIG. 2 is a front view thereof;
FIG. 3 is an elevational view from one side thereof;
FIG. 4 is top view thereof;
FIG. 5 is an elevational view from the other side thereof;
FIG. 6 is a bottom view thereof;
FIG. 7 is a rear view thereof; and,
FIG. 8 is a perspective view of the rear thereof.
The shading in the figures show contour, not surface ornamentation, and form no part of the claimed design.

1 Claim, 8 Drawing Sheets



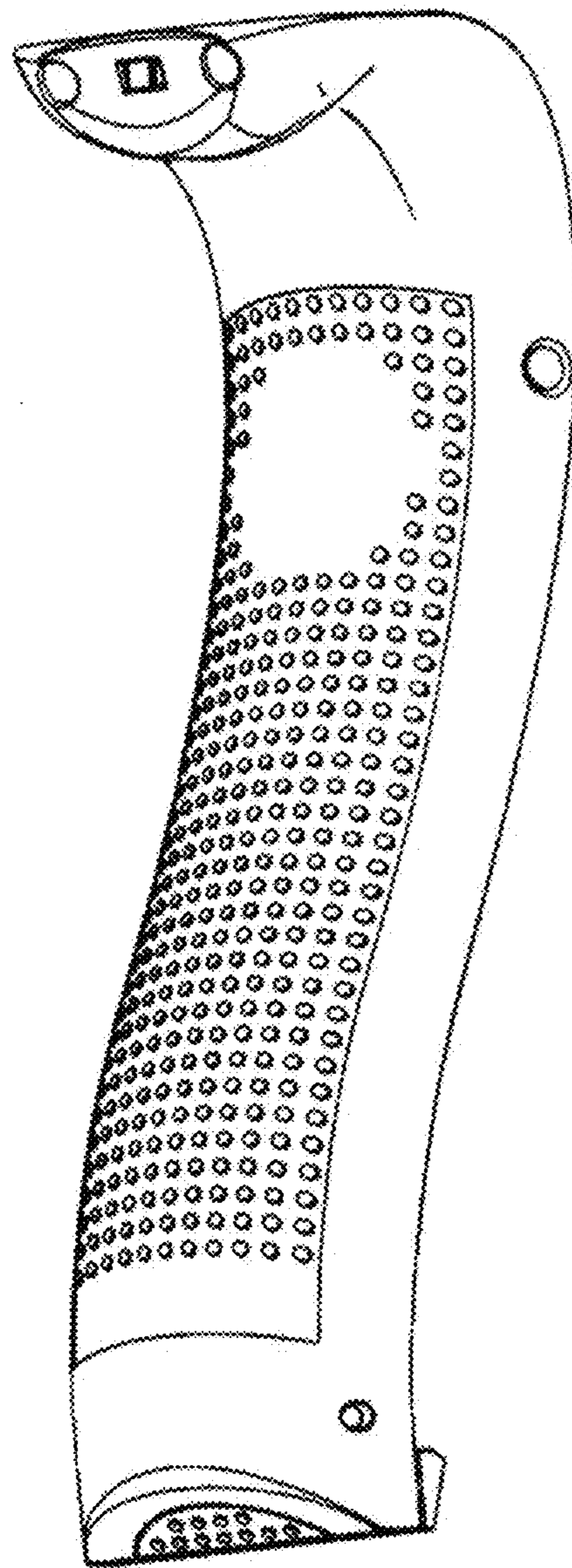


FIG.1

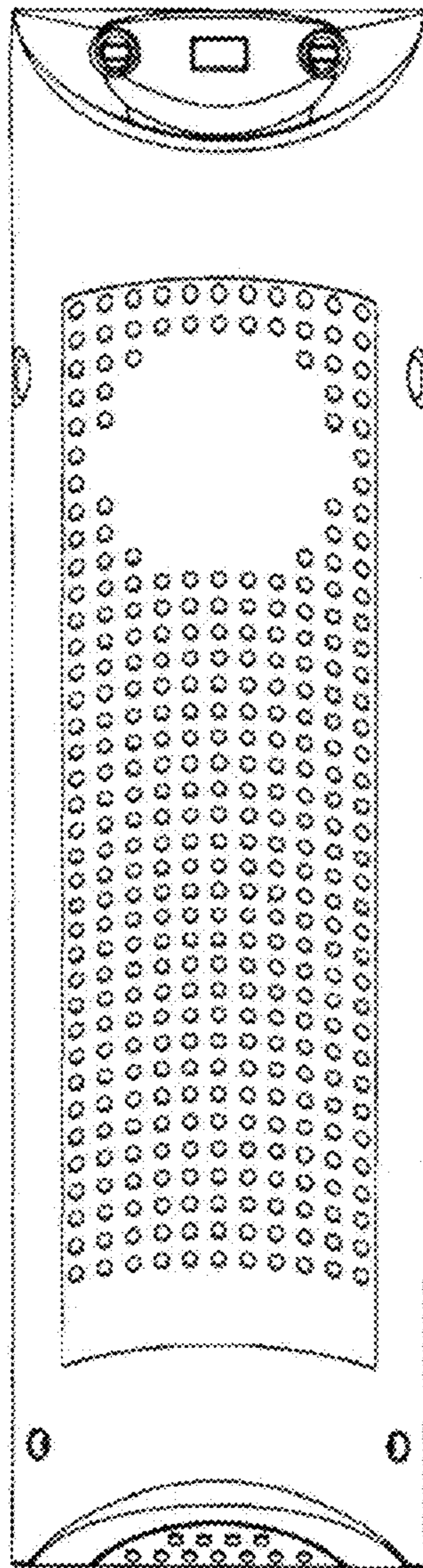


FIG. 2

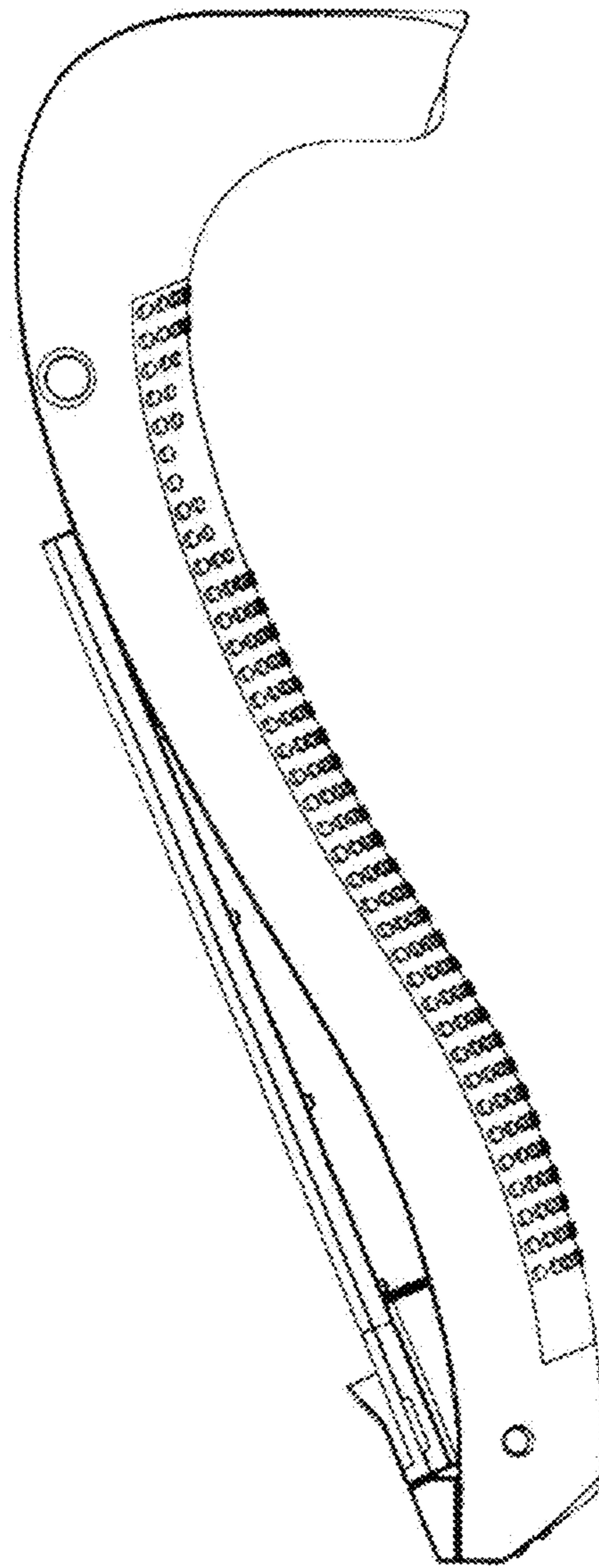


FIG.3

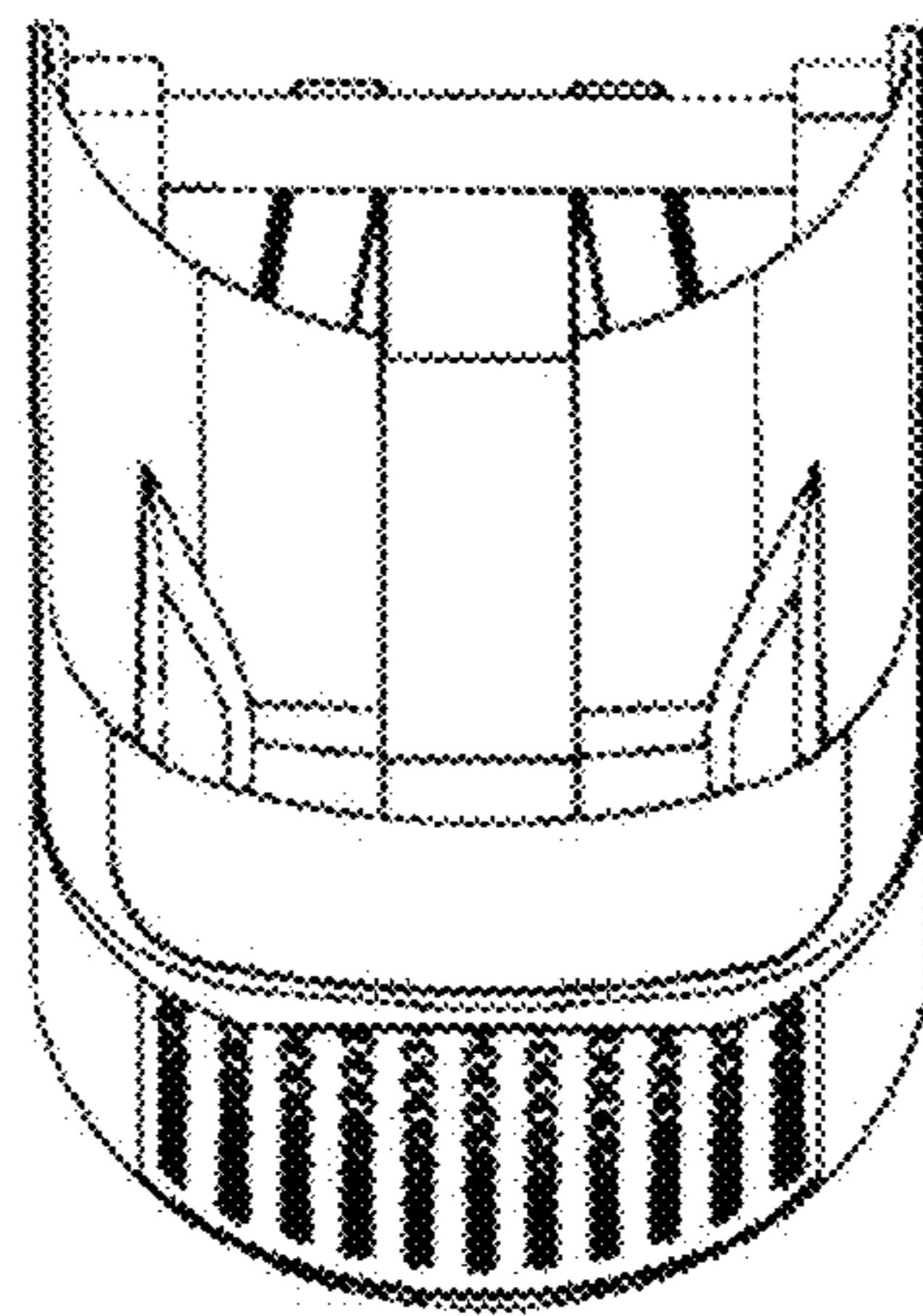


FIG. 4

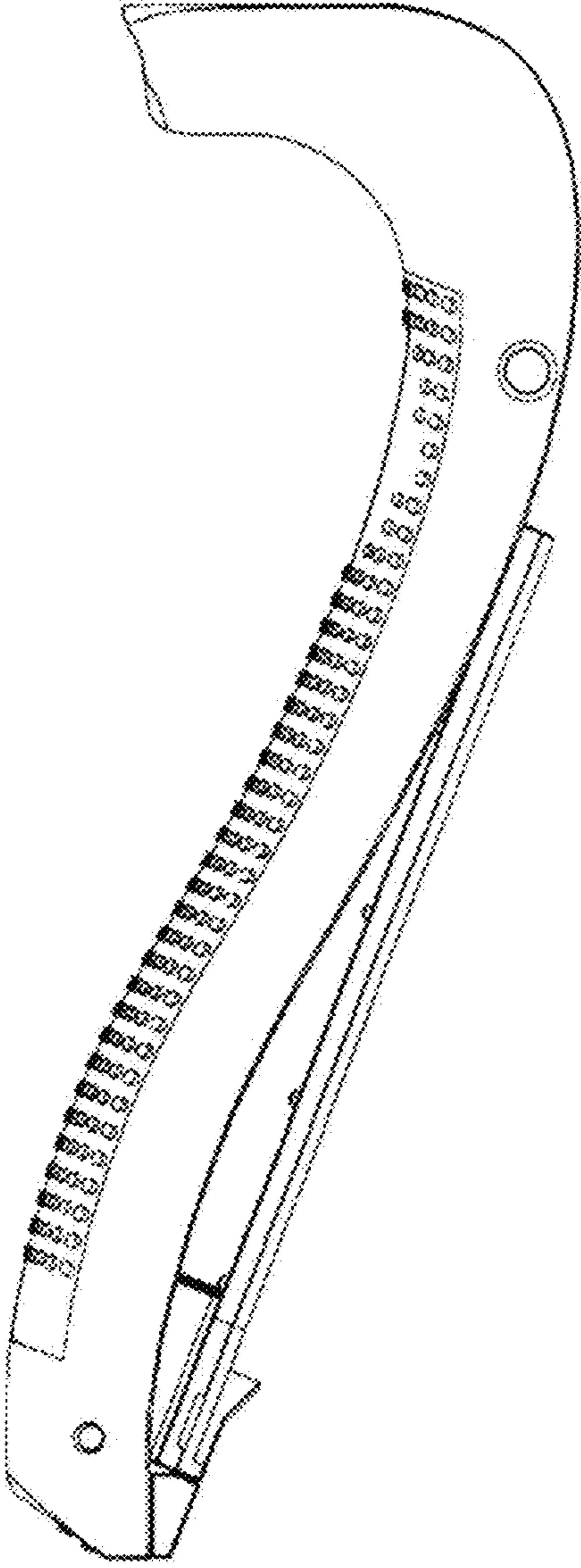


FIG. 5

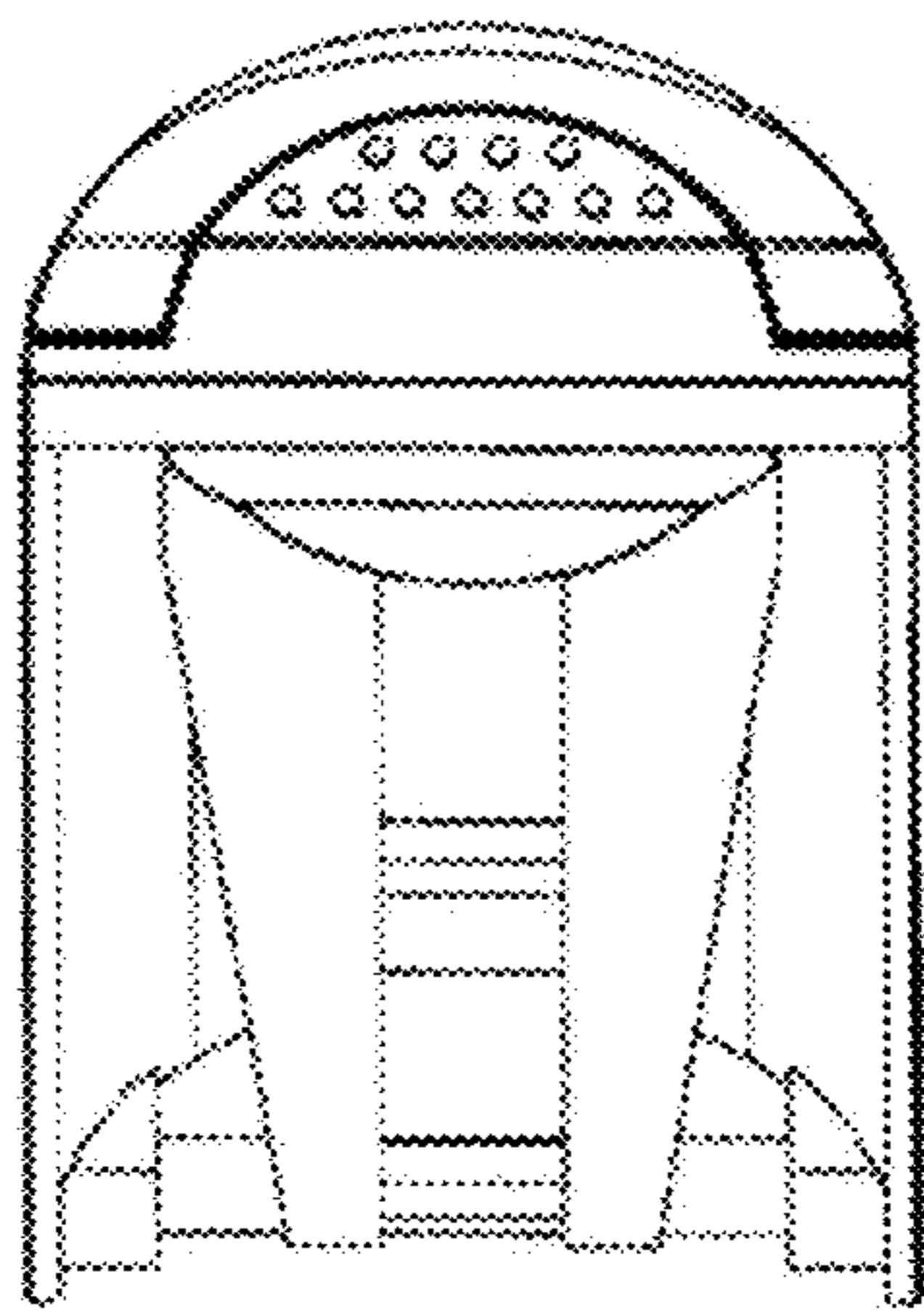


FIG. 6

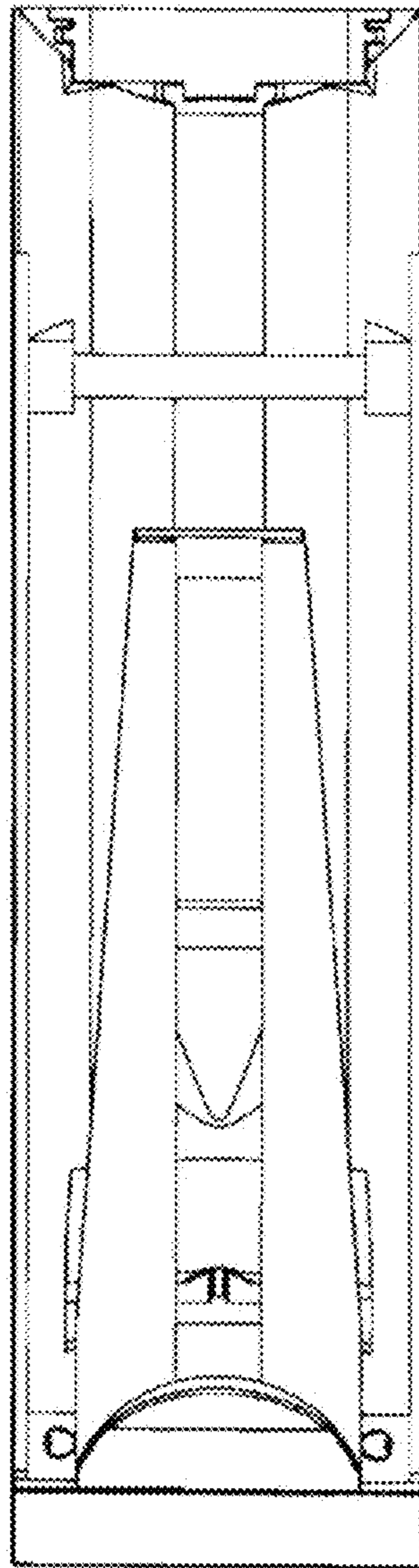


FIG. 7

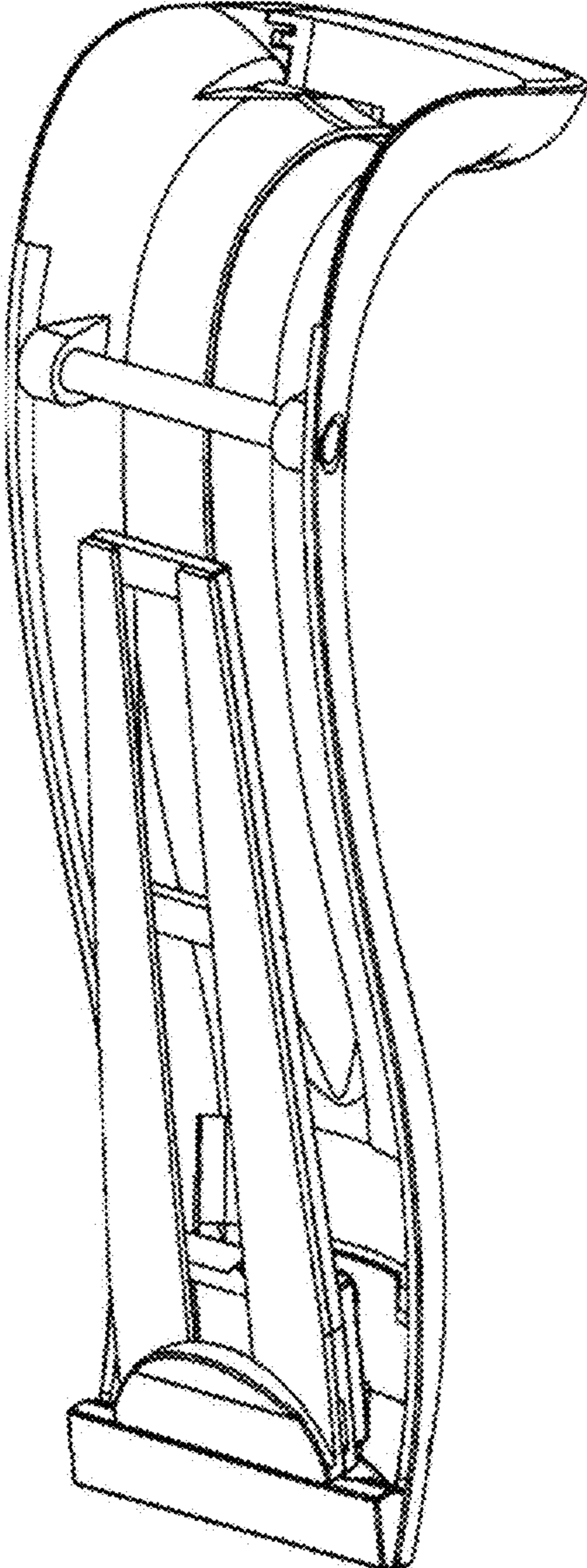


FIG.8