



US00D713484S

(12) **United States Design Patent**
Firpo, I et al.

(10) **Patent No.:** **US D713,484 S**
(45) **Date of Patent:** **** Sep. 16, 2014**

(54) **FIREARM RAIL**

2012/0117845 A1* 5/2012 Desomma 42/75.02
2013/0205636 A1* 8/2013 Shull 42/72
2014/0026459 A1* 1/2014 Yan et al. 42/71.01

(71) Applicant: **GPI Custom Gunworks, LLC,**
Jacksonville, FL (US)

* cited by examiner

(72) Inventors: **Lee Firpo, I,** Jacksonville, FL (US);
Darin Phipps, Jacksonville, FL (US);
Michael Phipps, Reseda, CA (US)

Primary Examiner — Michael A Pratt
(74) *Attorney, Agent, or Firm* — Mark Young, P.A.

(**) Term: **14 Years**

(57) **CLAIM**
The ornamental design for a firearm rail, as shown and described.

(21) Appl. No.: **29/452,404**

DESCRIPTION

(22) Filed: **Apr. 16, 2013**

(51) **LOC (10) Cl.** **22-01**

(52) **U.S. Cl.**
USPC **D22/108**

(58) **Field of Classification Search**
USPC D22/103, 108; 42/71.01; 89/40.06,
89/41.19, 37.04, 33.04, 191.01, 200–204;
D21/572–575; 124/67, 66, 72, 74
See application file for complete search history.

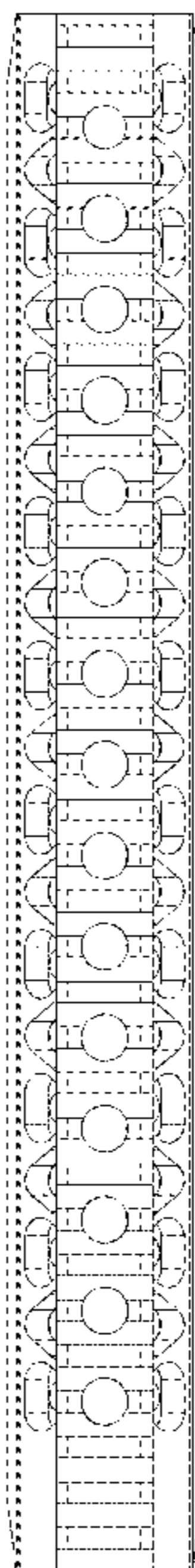
FIG. 1 is a plan view of a firearm rail.
FIG. 2 is a first side view of the firearm rail shown in FIG. 1.
FIG. 3 is a front view of the firearm rail shown in FIG. 1.
FIG. 4 is a bottom view of the firearm rail shown in FIG. 1.
FIG. 5 is a back view of the firearm rail shown in FIG. 1.
FIG. 6 is a second side view of the firearm rail shown in FIG. 1.
FIG. 7 is a first top perspective view of the firearm rail shown in FIG. 1.
FIG. 8 is second top perspective of the firearm rail shown in FIG. 1.
FIG. 9 is a third top perspective view of the firearm rail shown in FIG. 1.
FIG. 10 is a fourth top perspective view of the firearm rail shown in FIG. 1.
FIG. 11 is a first bottom perspective view of the firearm rail shown in FIG. 1.
FIG. 12 is second bottom perspective of the firearm rail shown in FIG. 1.
FIG. 13 is a third bottom perspective view of the firearm rail shown in FIG. 1; and,
FIG. 14 is a fourth bottom perspective view of the firearm rail shown in FIG. 1.

(56) **References Cited**

U.S. PATENT DOCUMENTS

D607,958	S	*	1/2010	Swan	D22/108
D613,811	S	*	4/2010	Swan	D22/108
D616,521	S	*	5/2010	Starnes	D22/108
7,905,041	B1	*	3/2011	Davies	42/75.02
D639,376	S	*	6/2011	Ding	D22/108
D641,450	S	*	7/2011	Ding	D22/108
8,201,353	B1	*	6/2012	Swan	42/71.01
8,276,303	B2	*	10/2012	Kapusta et al.	42/71.01
2011/0192066	A1	*	8/2011	Kimmel et al.	42/71.01
2011/0214327	A1	*	9/2011	Desomma	42/75.02

1 Claim, 14 Drawing Sheets



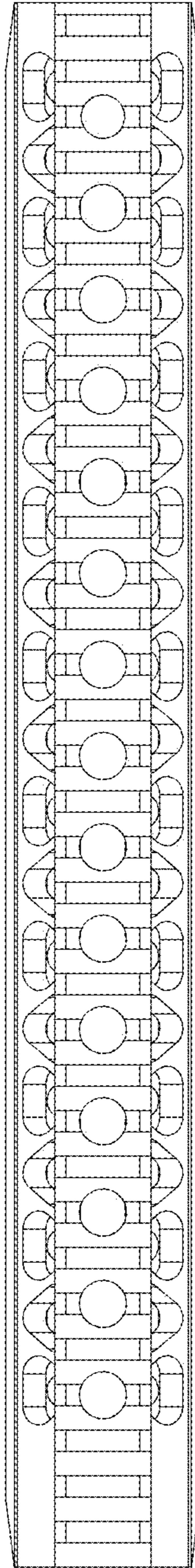


FIG. 1

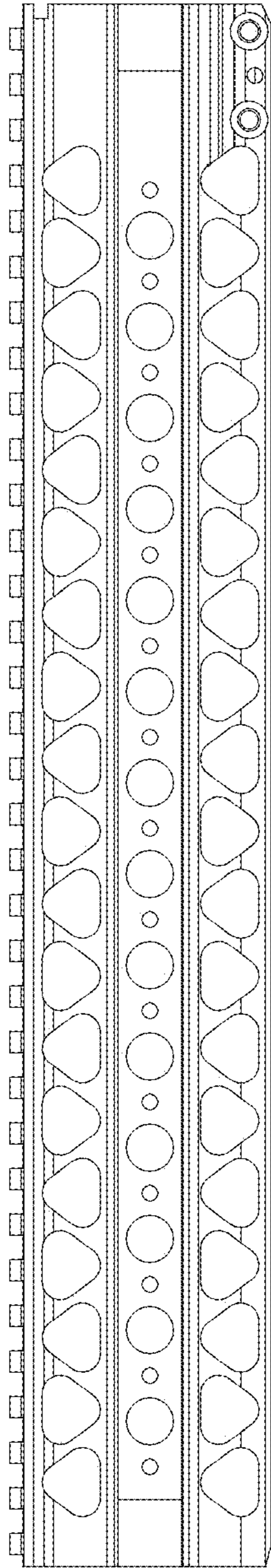


FIG. 2

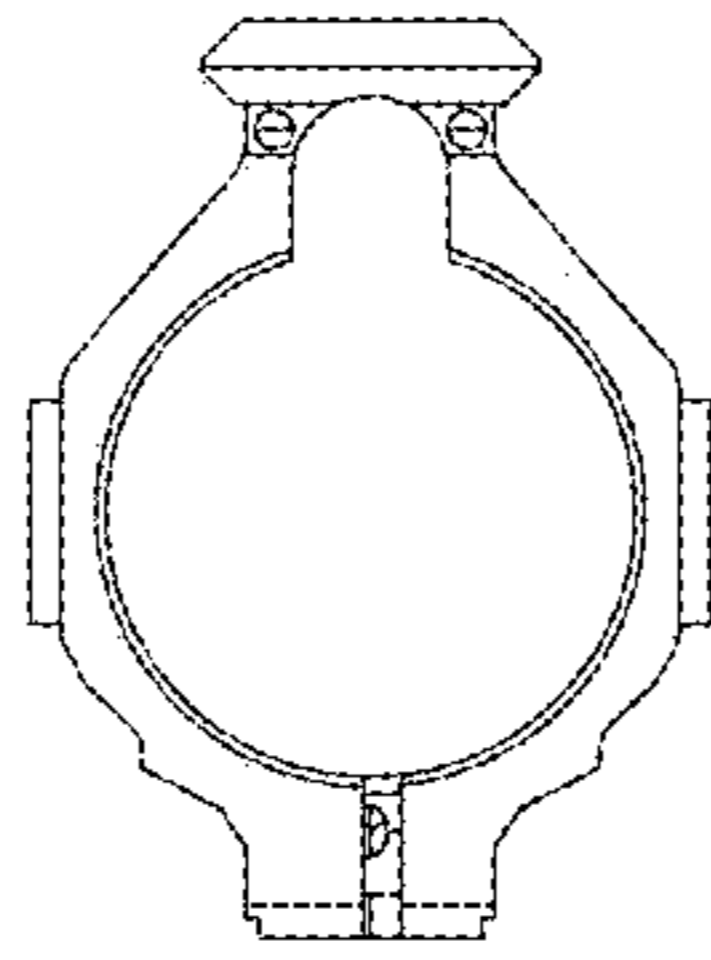


FIG. 3

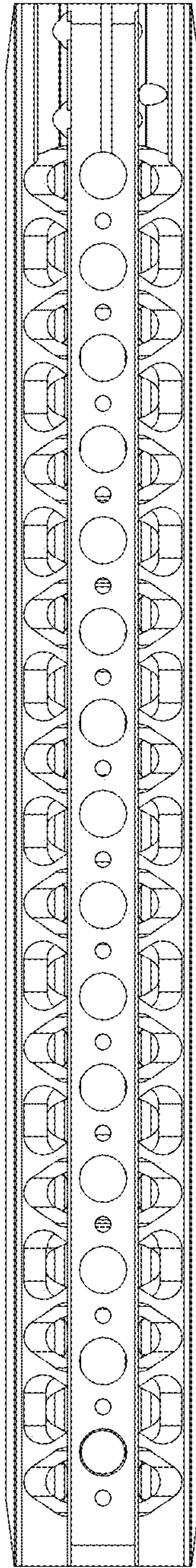


FIG. 4

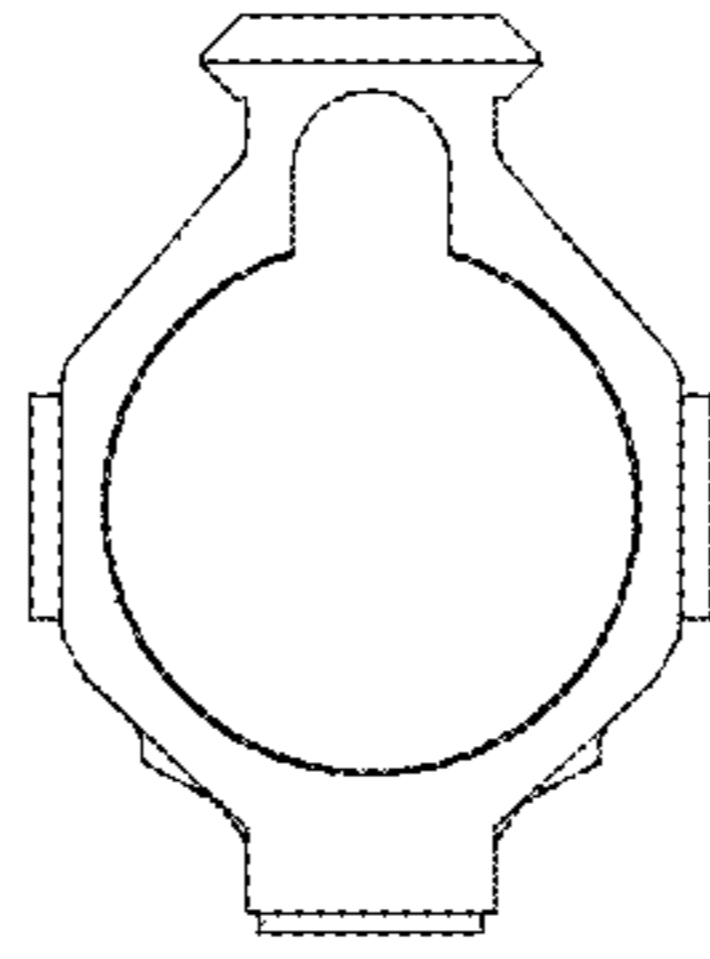


FIG. 5

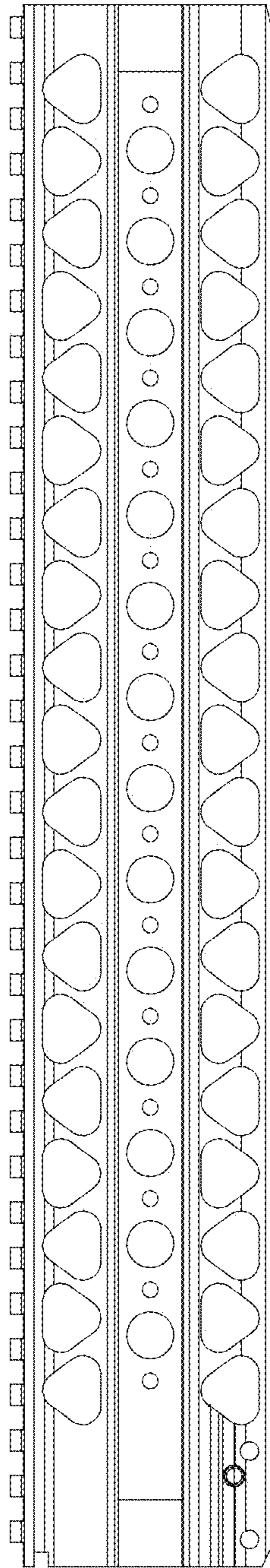


FIG. 6

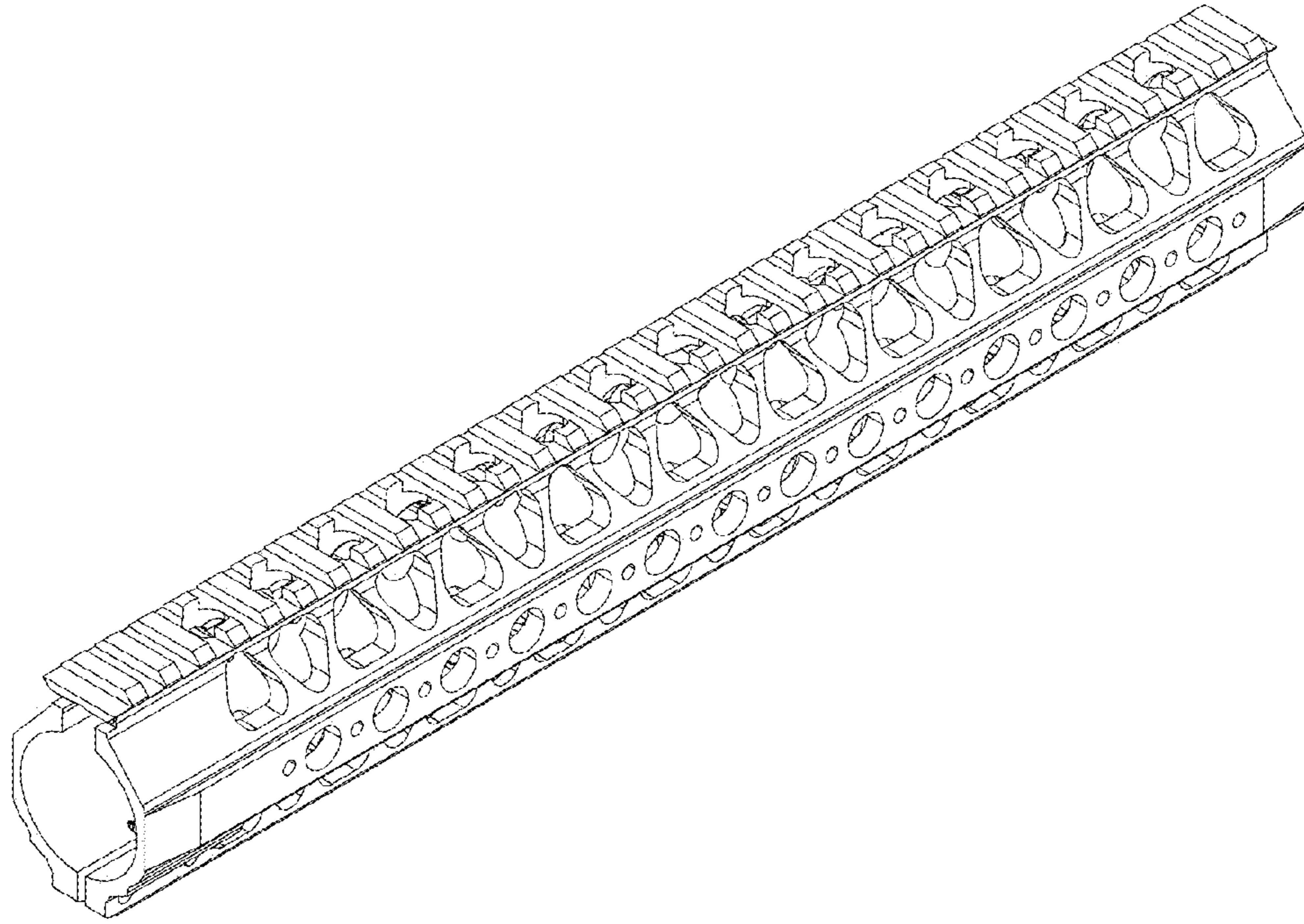


FIG. 7

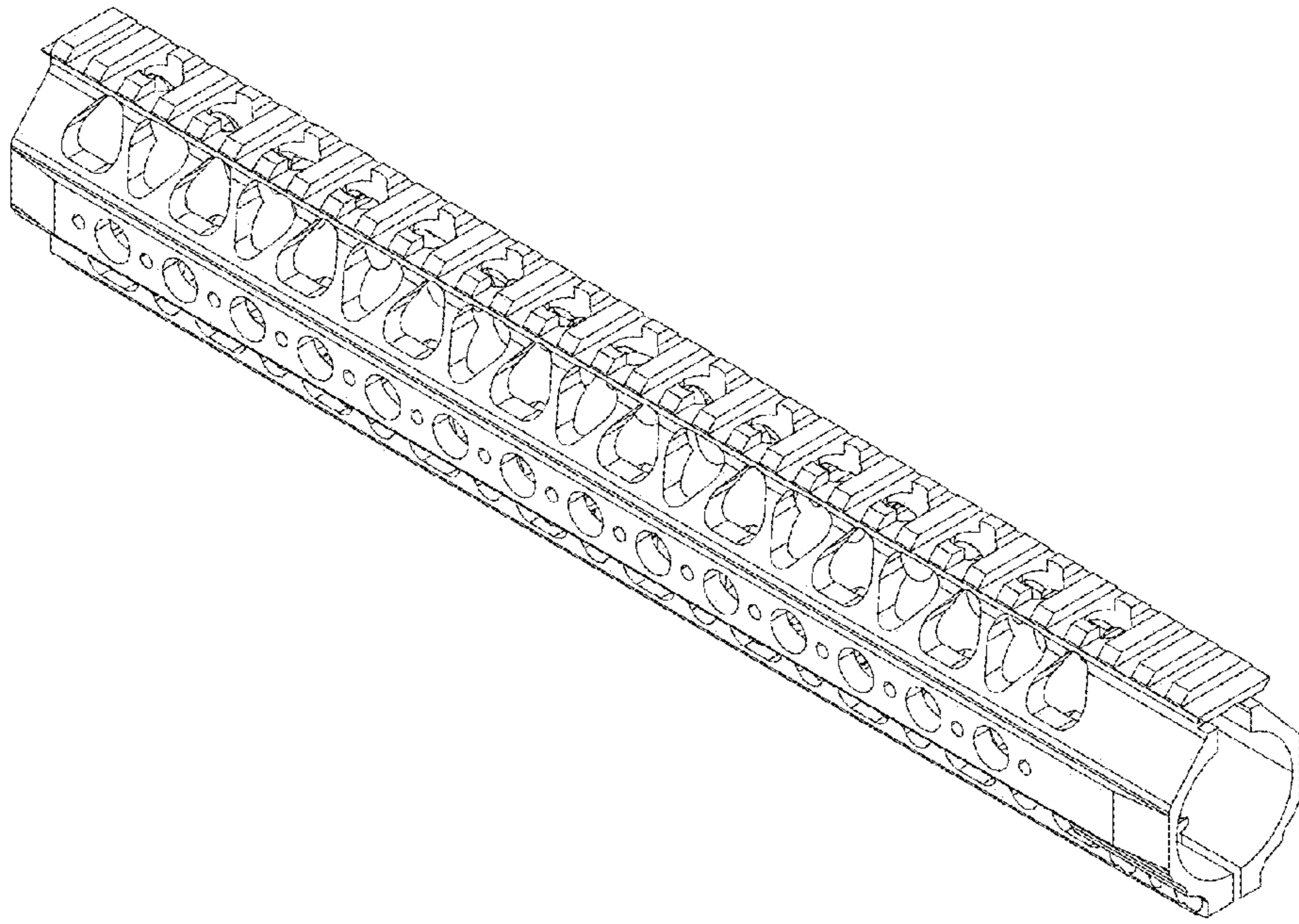


FIG. 8

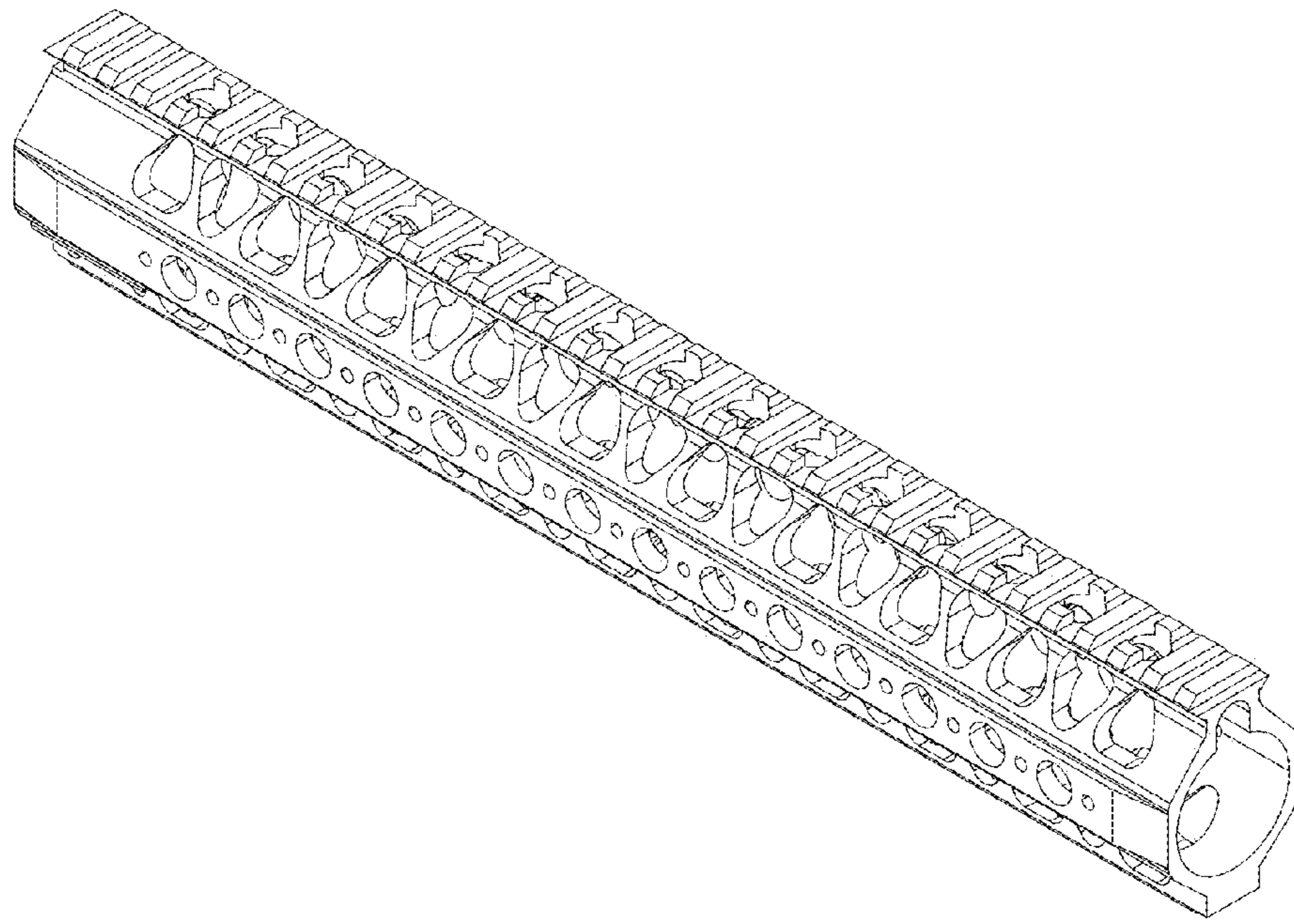


FIG. 9

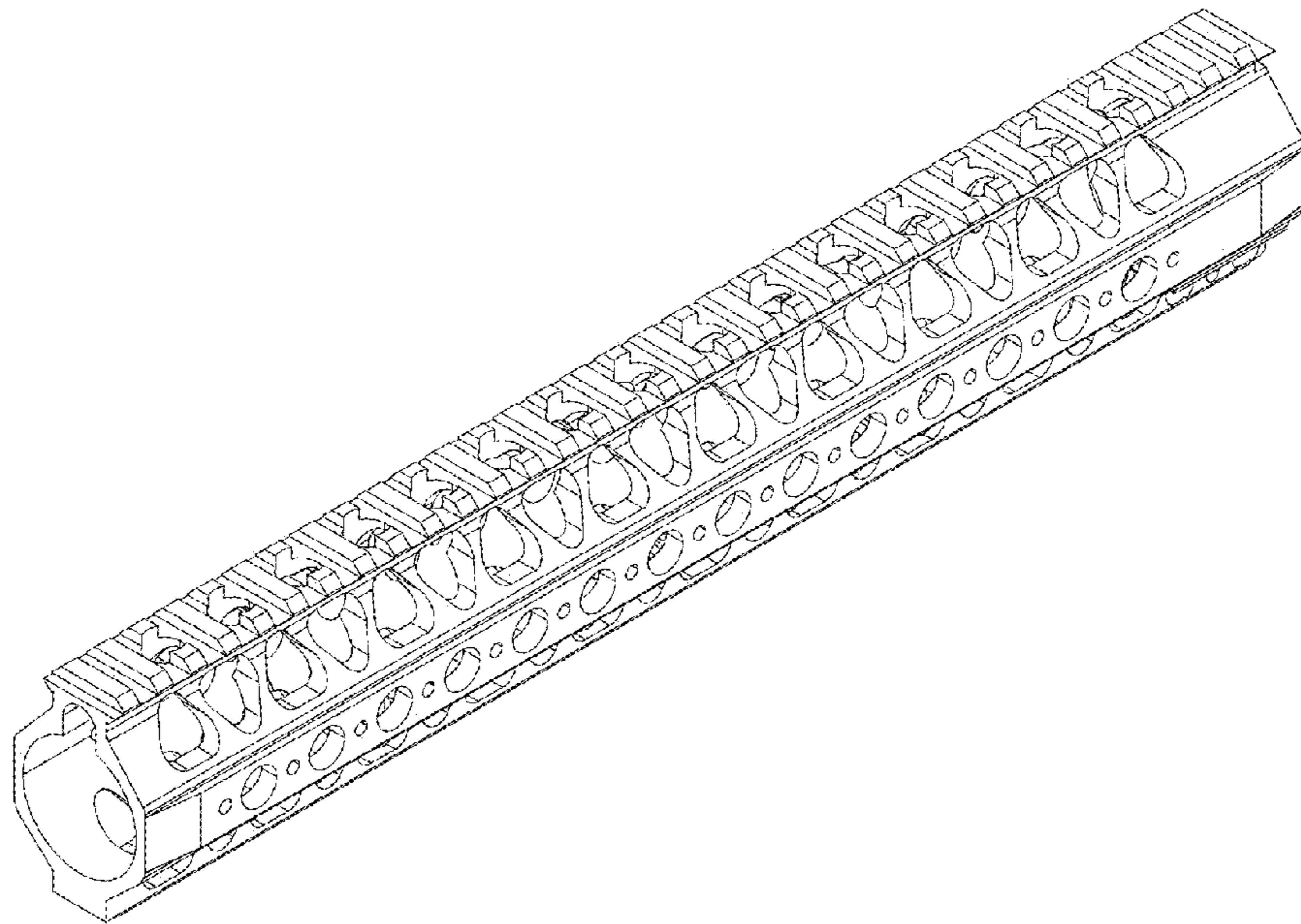


FIG. 10

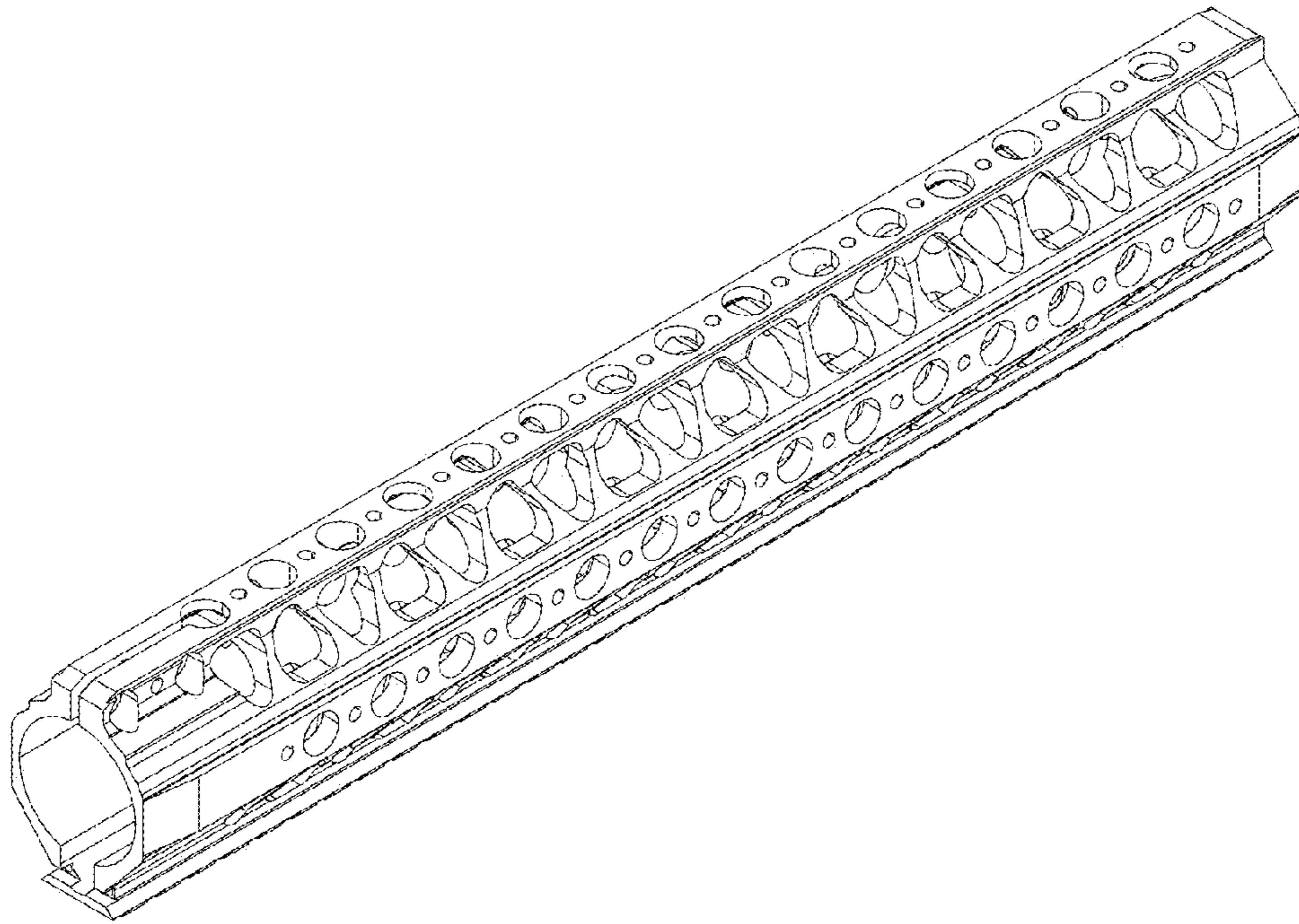


FIG. 11

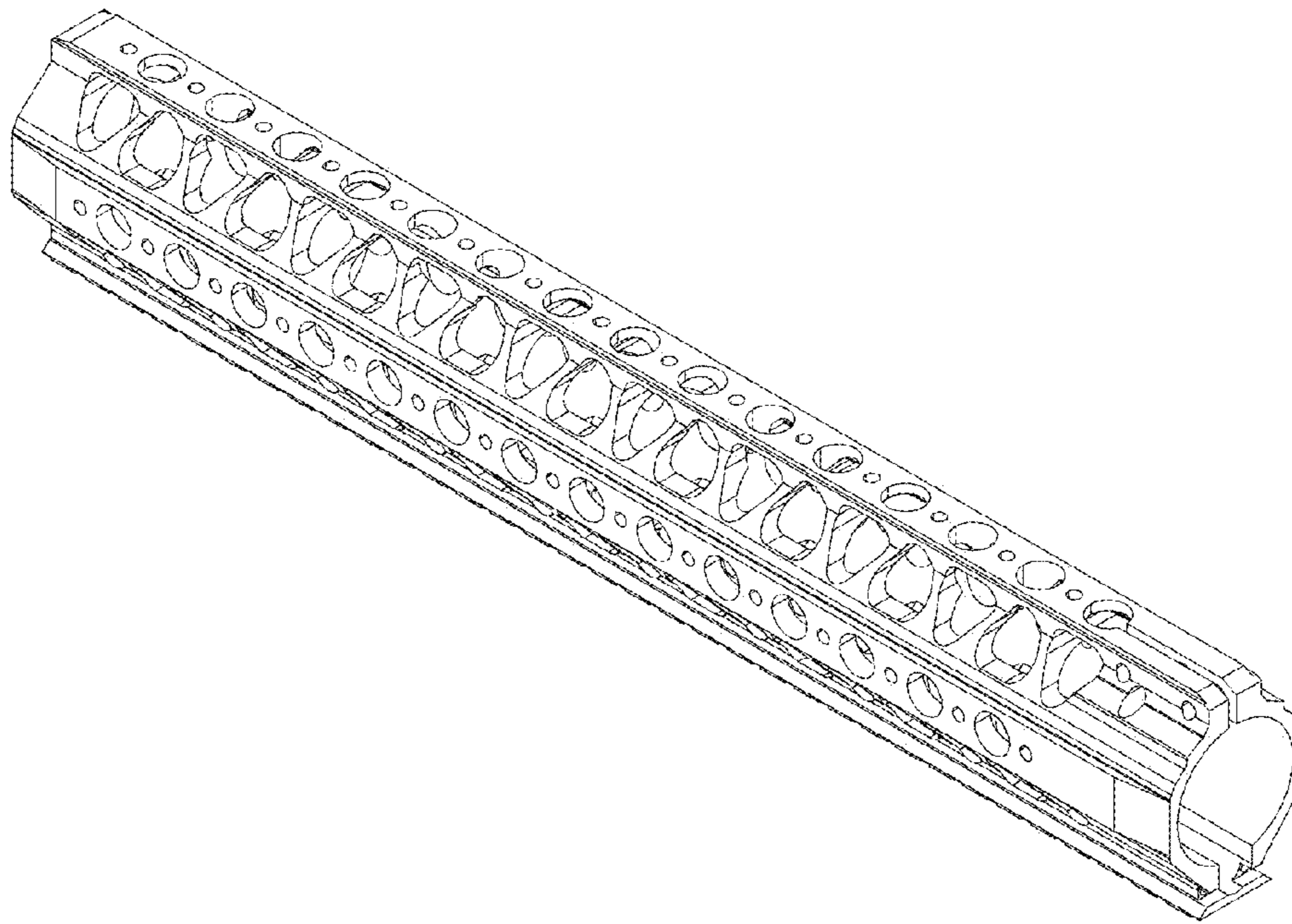


FIG. 12

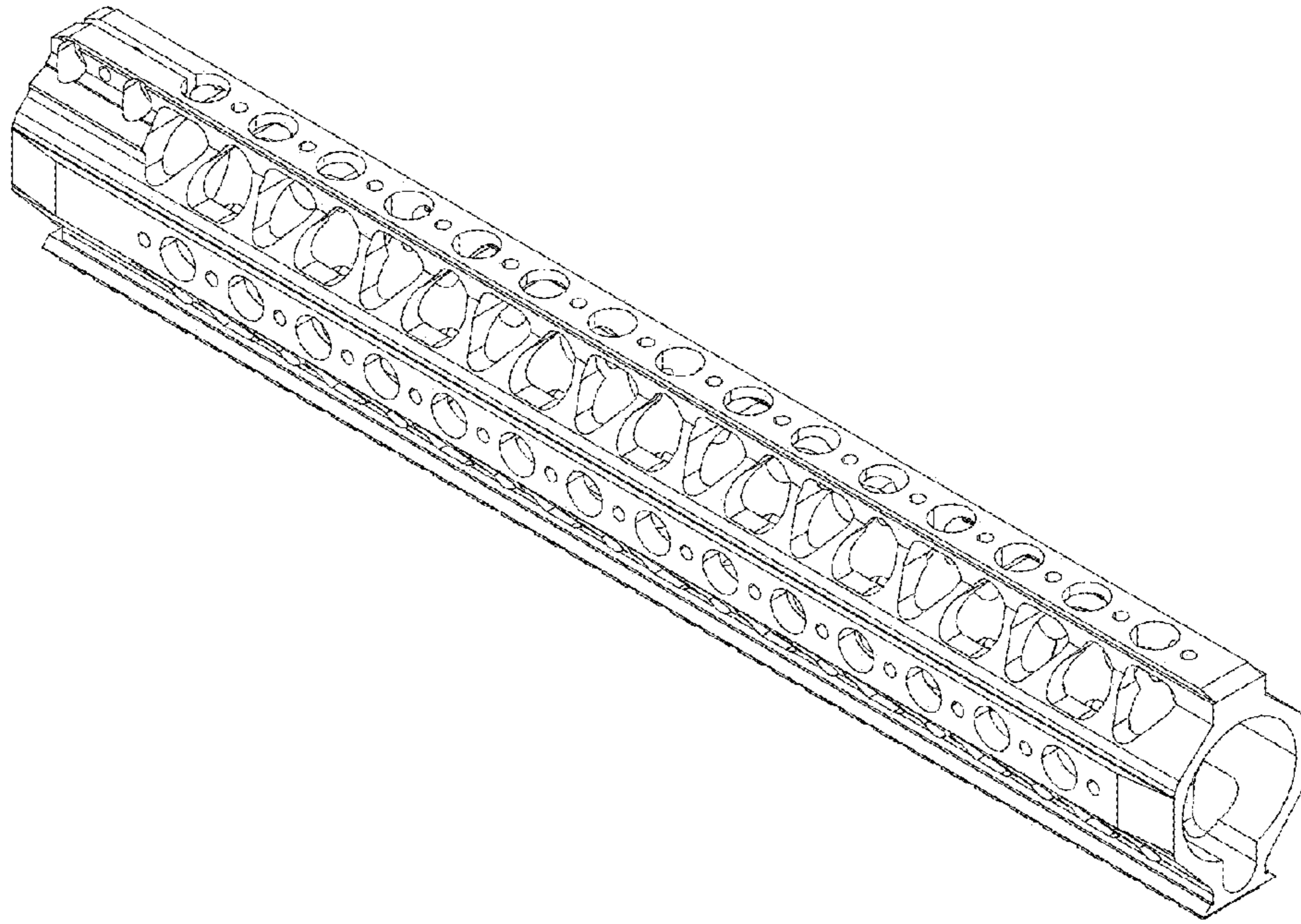


FIG. 13

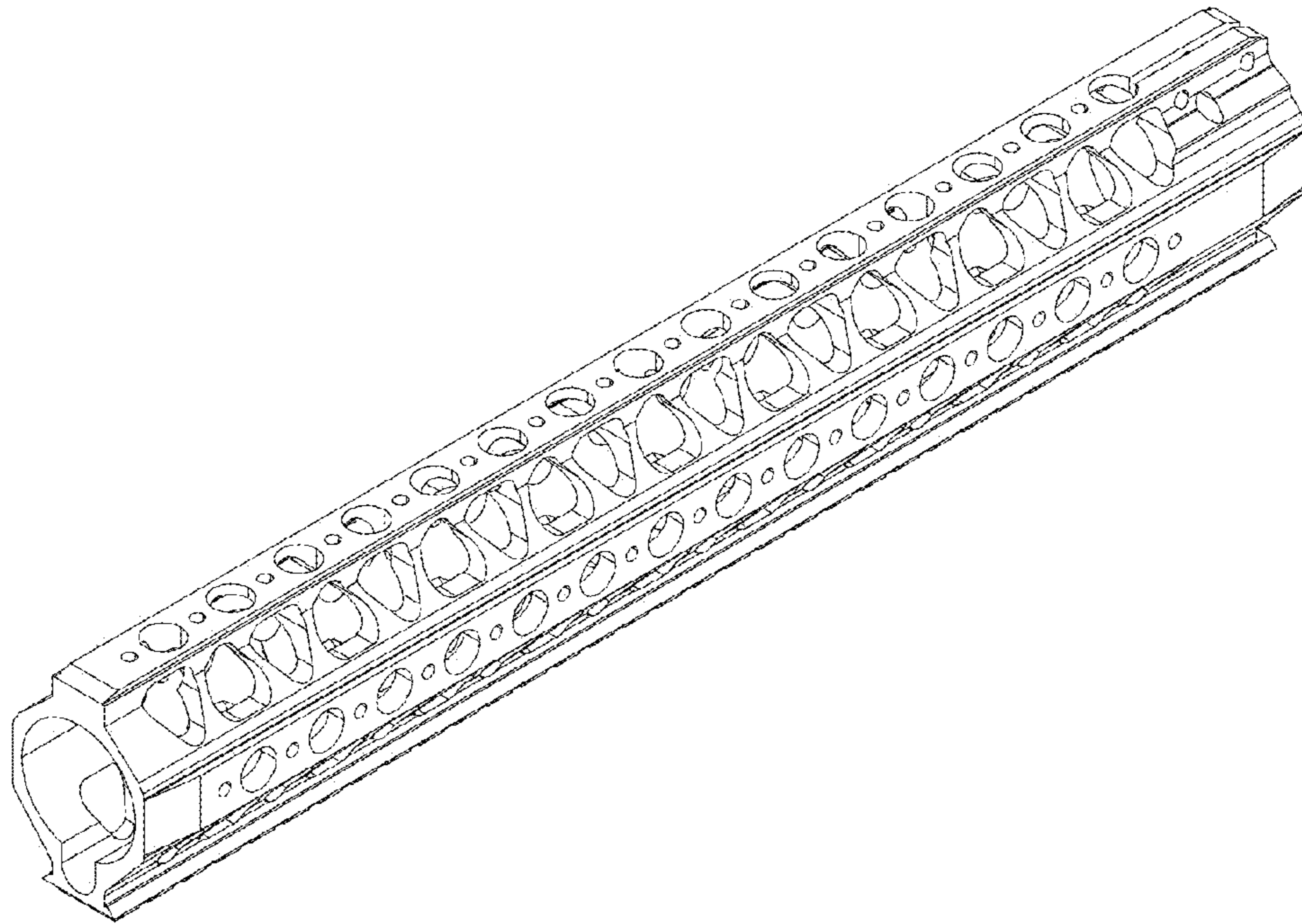


FIG. 14