



US00D713477S

(12) **United States Design Patent**
Lee

(10) **Patent No.:** **US D713,477 S**
(45) **Date of Patent:** **** Sep. 16, 2014**

- (54) **SOLAR-POWERED TOY ROBOT**
- (71) Applicant: **Wen-Hsien Lee**, New Taipei (TW)
- (72) Inventor: **Wen-Hsien Lee**, New Taipei (TW)
- (**) Term: **14 Years**
- (21) Appl. No.: **29/472,739**
- (22) Filed: **Nov. 15, 2013**
- (51) **LOC (10) Cl.** **21-01**
- (52) **U.S. Cl.**
USPC **D21/578**; D15/199
- (58) **Field of Classification Search**
USPC D21/578–583, 621, 622; 446/268–274,
446/279, 280, 285, 289–292, 294, 297–303,
446/353–355, 376–384; D15/199;
318/568.11, 568.12, 568.2
See application file for complete search history.

D622,786 S *	8/2010	Lee	D21/578
D647,147 S *	10/2011	Wong	D21/578
D647,148 S *	10/2011	Wong	D21/578
D647,149 S *	10/2011	Wong	D21/578
D681,134 S *	4/2013	Lee	D21/578

* cited by examiner

Primary Examiner — Zenia Bennett

(74) *Attorney, Agent, or Firm* — C. G. Mersereau; Nikolai & Mersereau, P.A.

(57) **CLAIM**

The ornamental design for a solar-powered toy robot, as shown and described.

DESCRIPTION

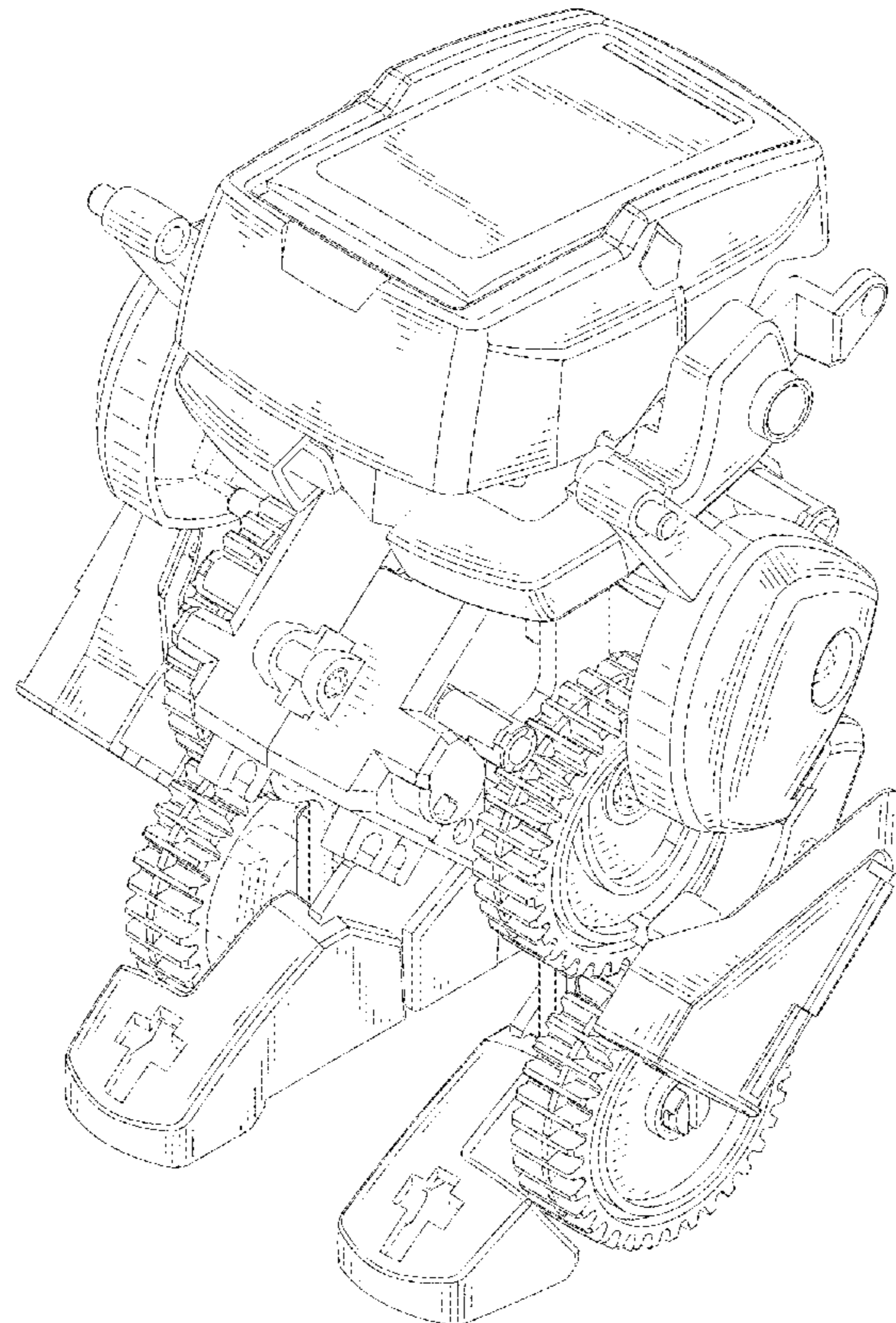
FIG. 1 is a perspective view of a solar-powered toy robot showing my new design;
 FIG. 2 is a front view thereof;
 FIG. 3 is a rear view thereof;
 FIG. 4 is a left side view thereof;
 FIG. 5 is a right side view thereof;
 FIG. 6 is a top view thereof;
 FIG. 7 is a bottom view thereof; and,
 FIG. 8 is another perspective view thereof.
 The broken lines are shown for illustrative purposes only and form no part of the claimed design.

(56) **References Cited**

U.S. PATENT DOCUMENTS

D298,766 S *	11/1988	Tanno et al.	D21/578
6,604,021 B2 *	8/2003	Imai et al.	700/245
D541,353 S *	4/2007	Takahashi	D21/578
D561,214 S *	2/2008	Mitchell	D15/199
D561,796 S *	2/2008	Mitchell	D15/199
D593,164 S *	5/2009	Sonoda	D21/578

1 Claim, 8 Drawing Sheets



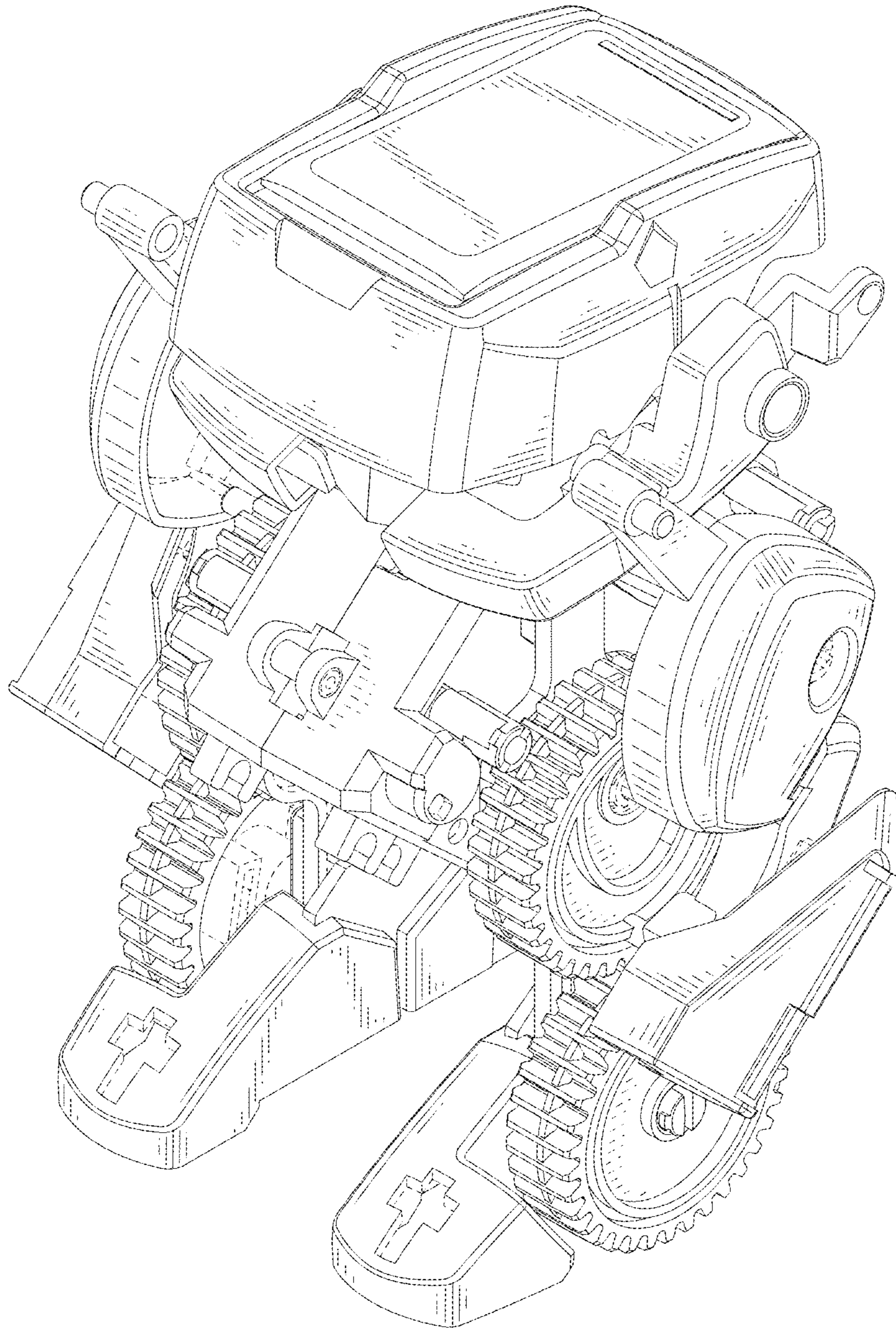


FIG.1

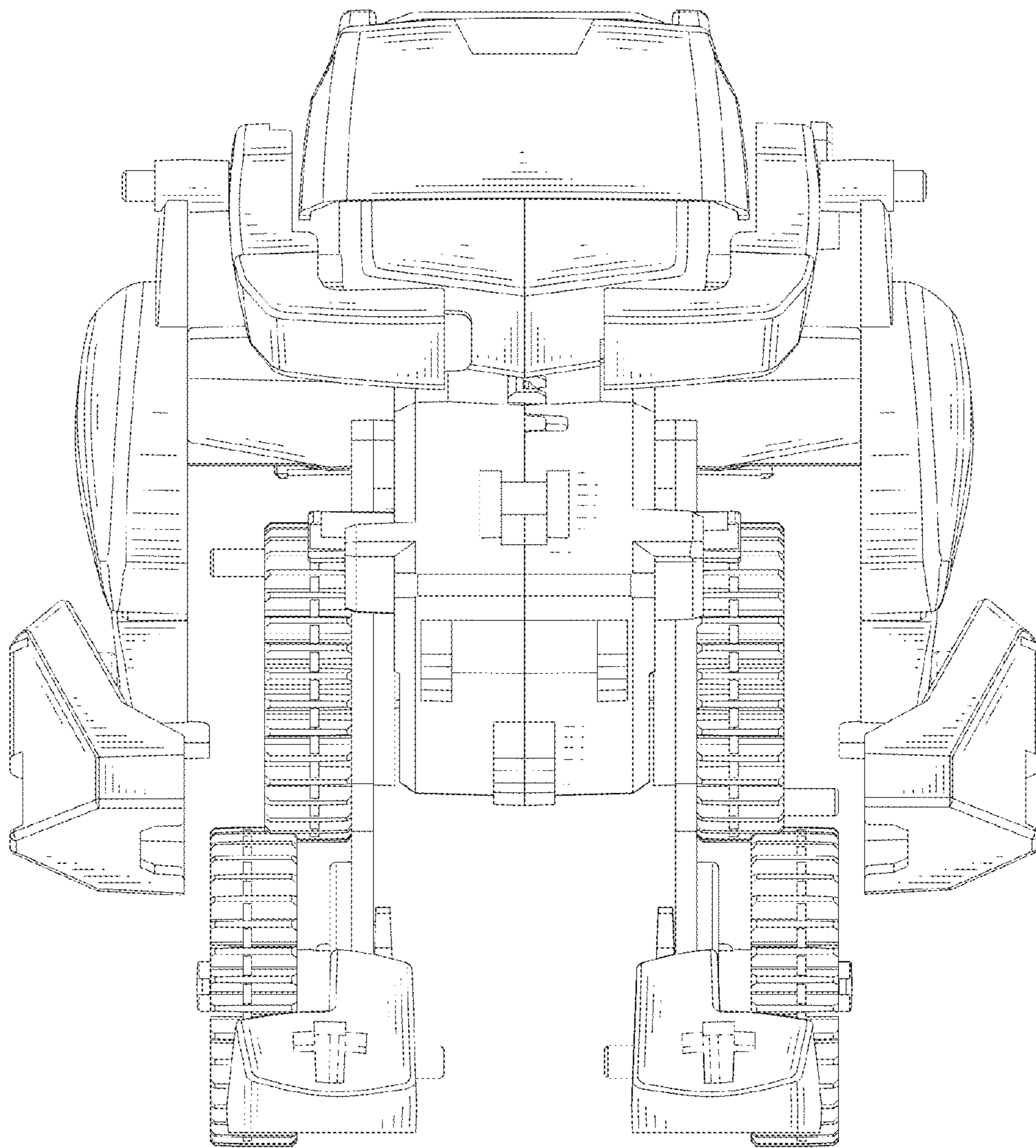


FIG.2

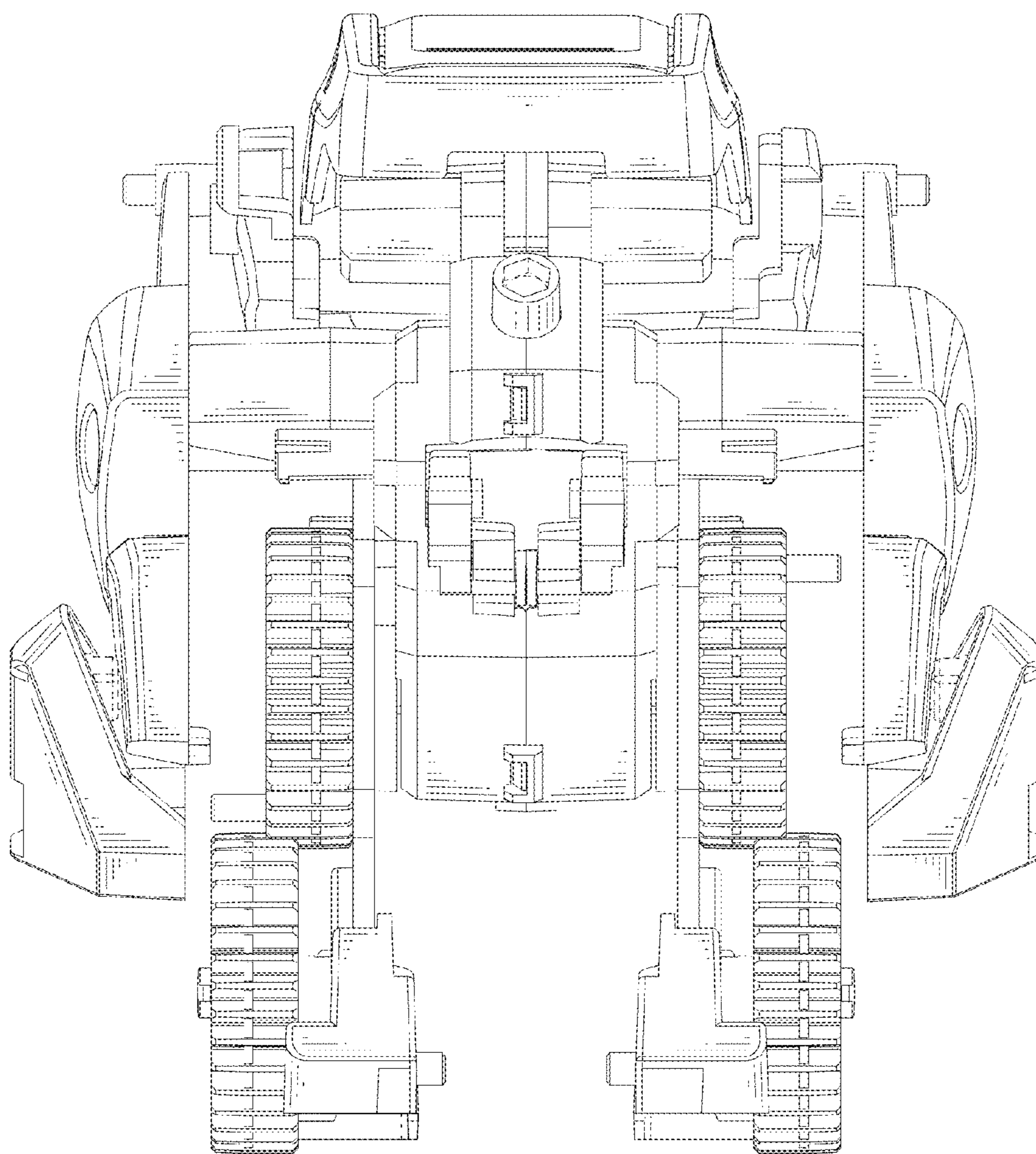


FIG.3

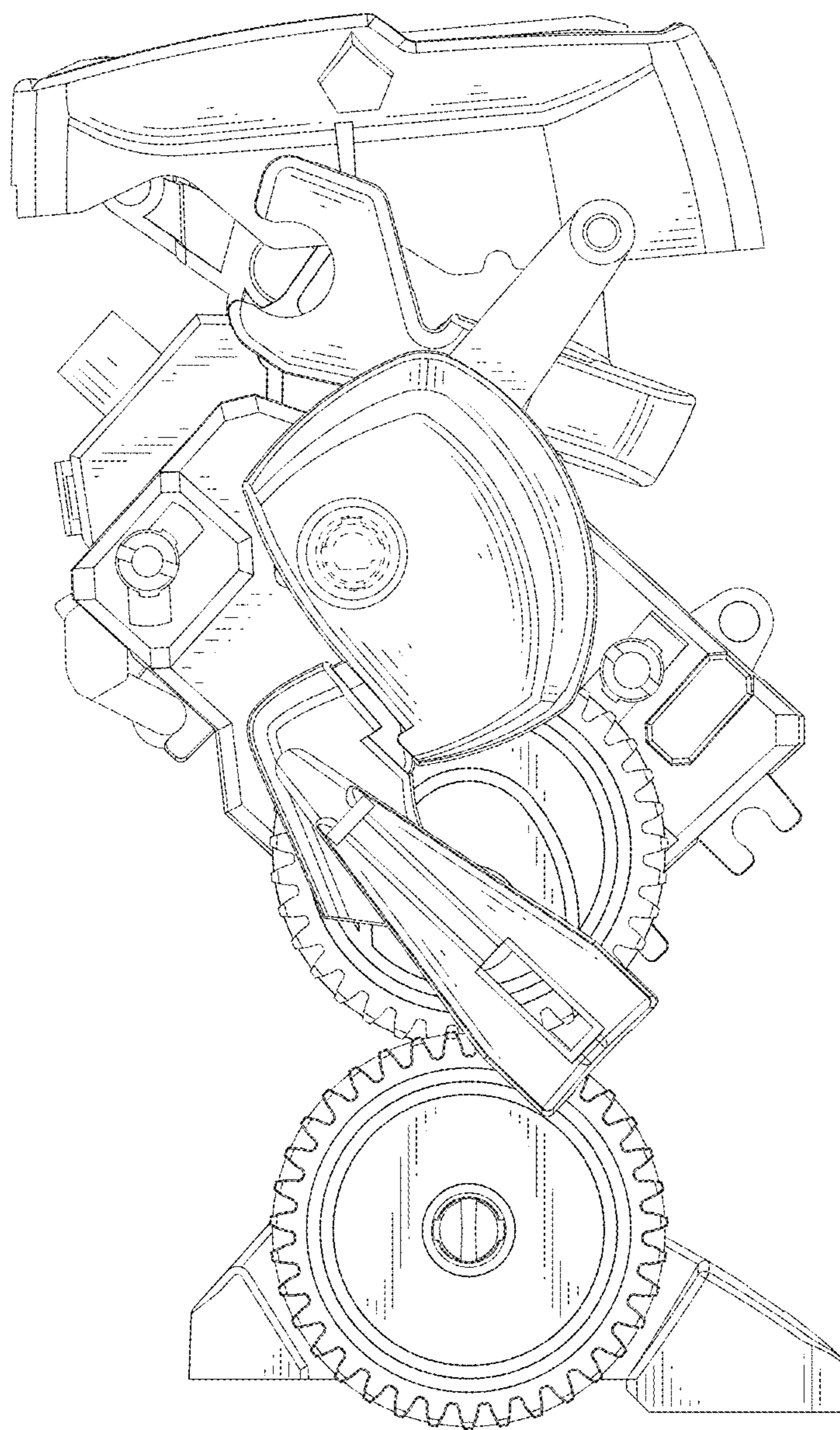


FIG.4

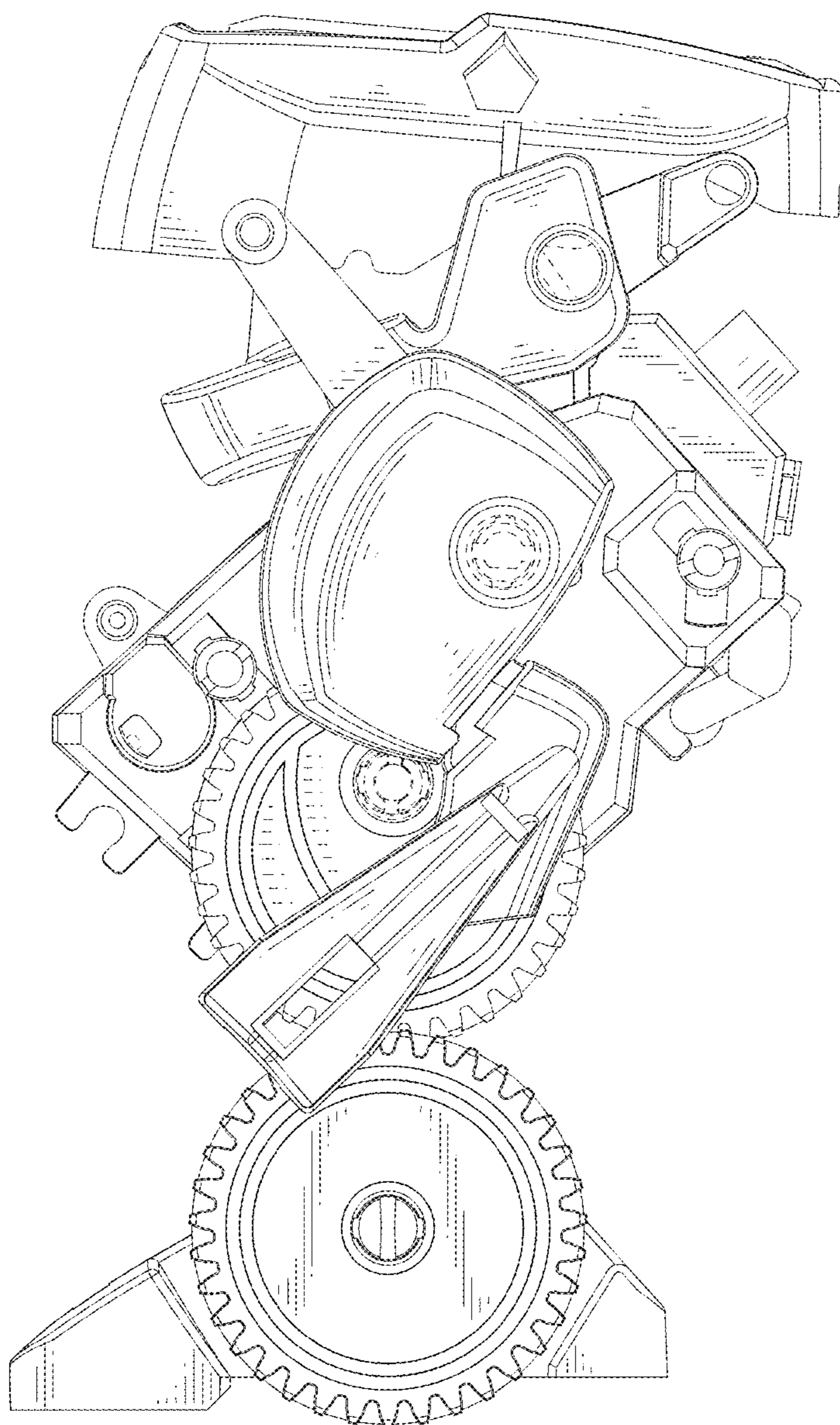


FIG.5

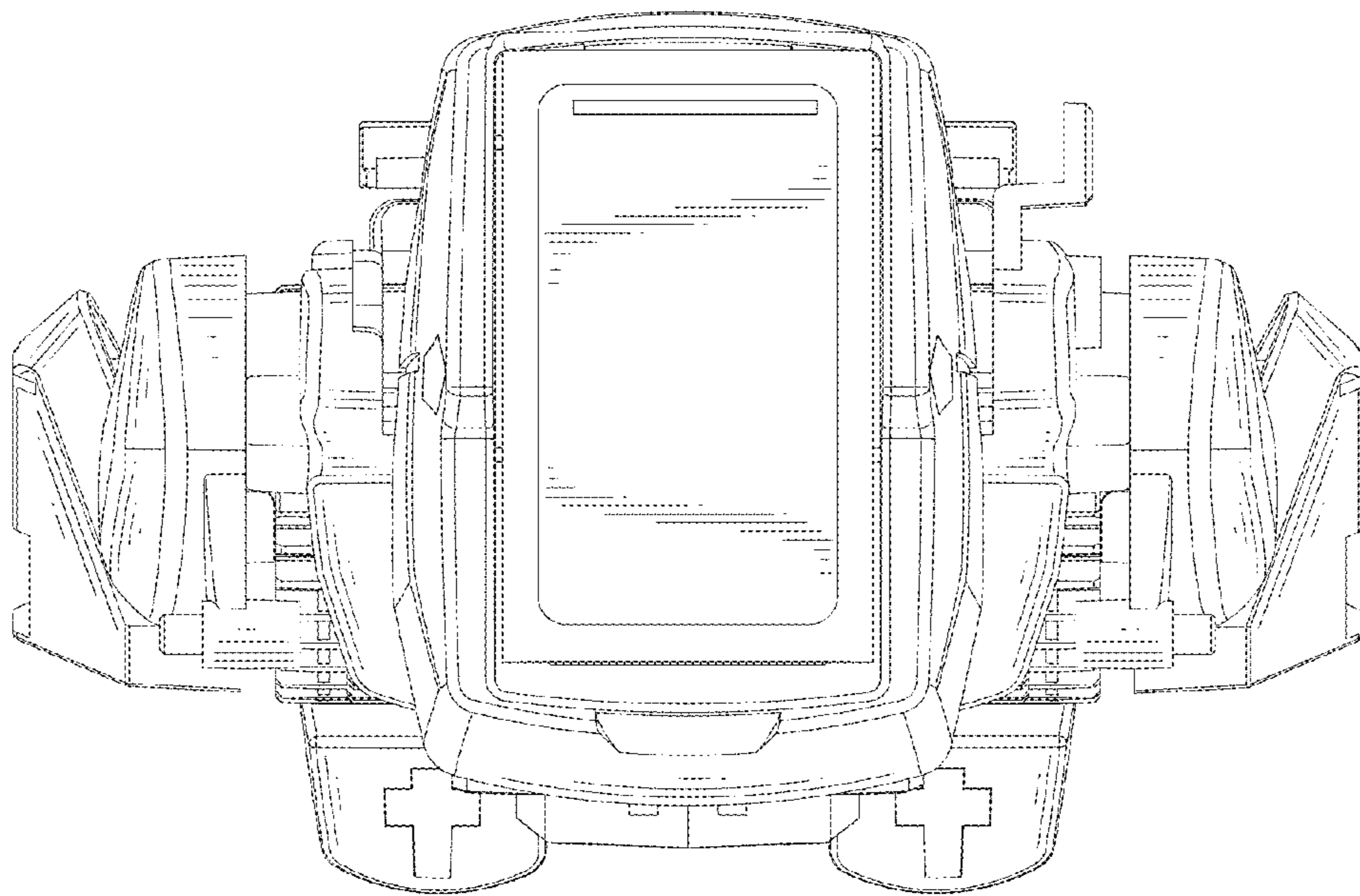


FIG.6

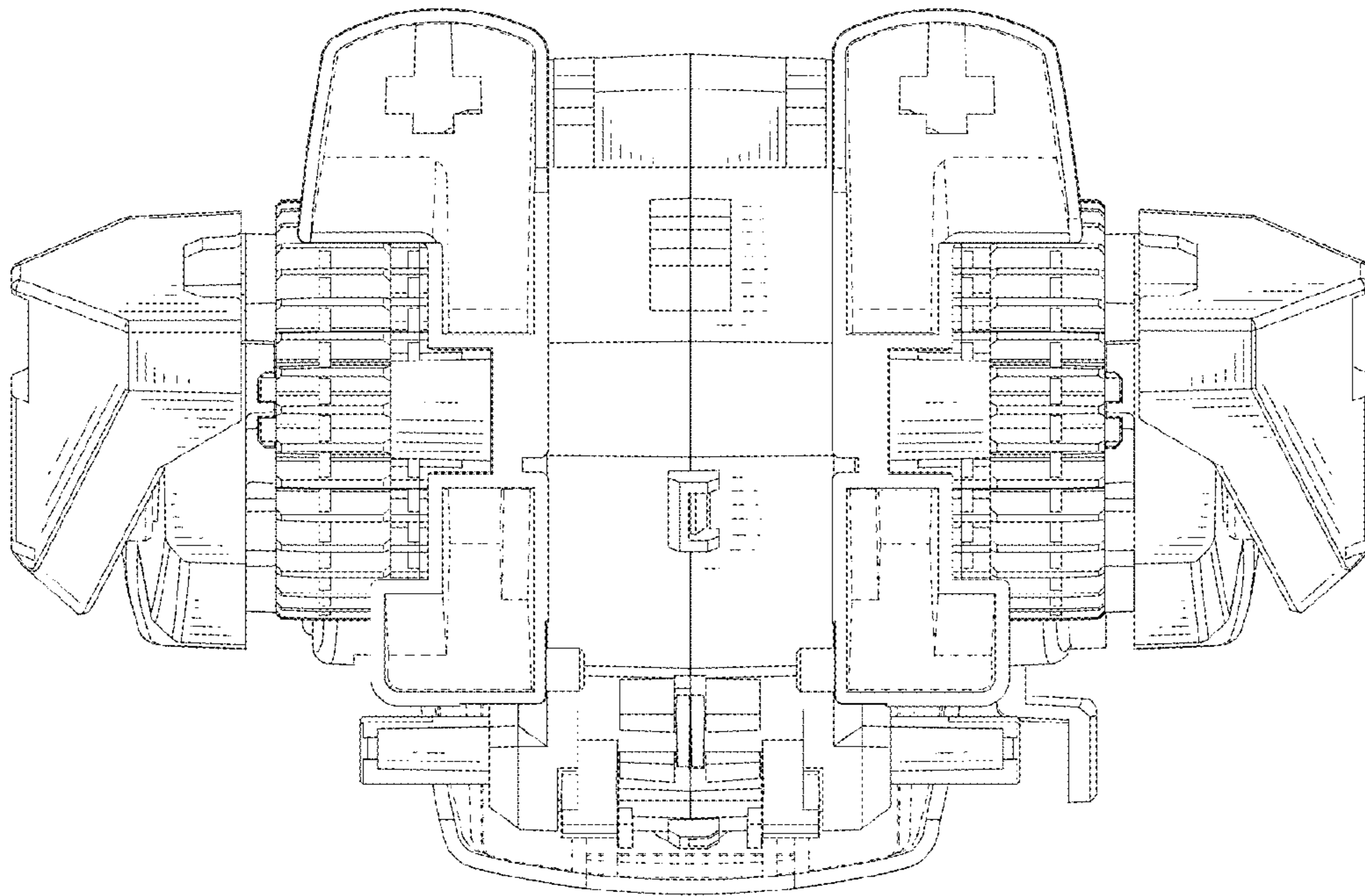


FIG.7

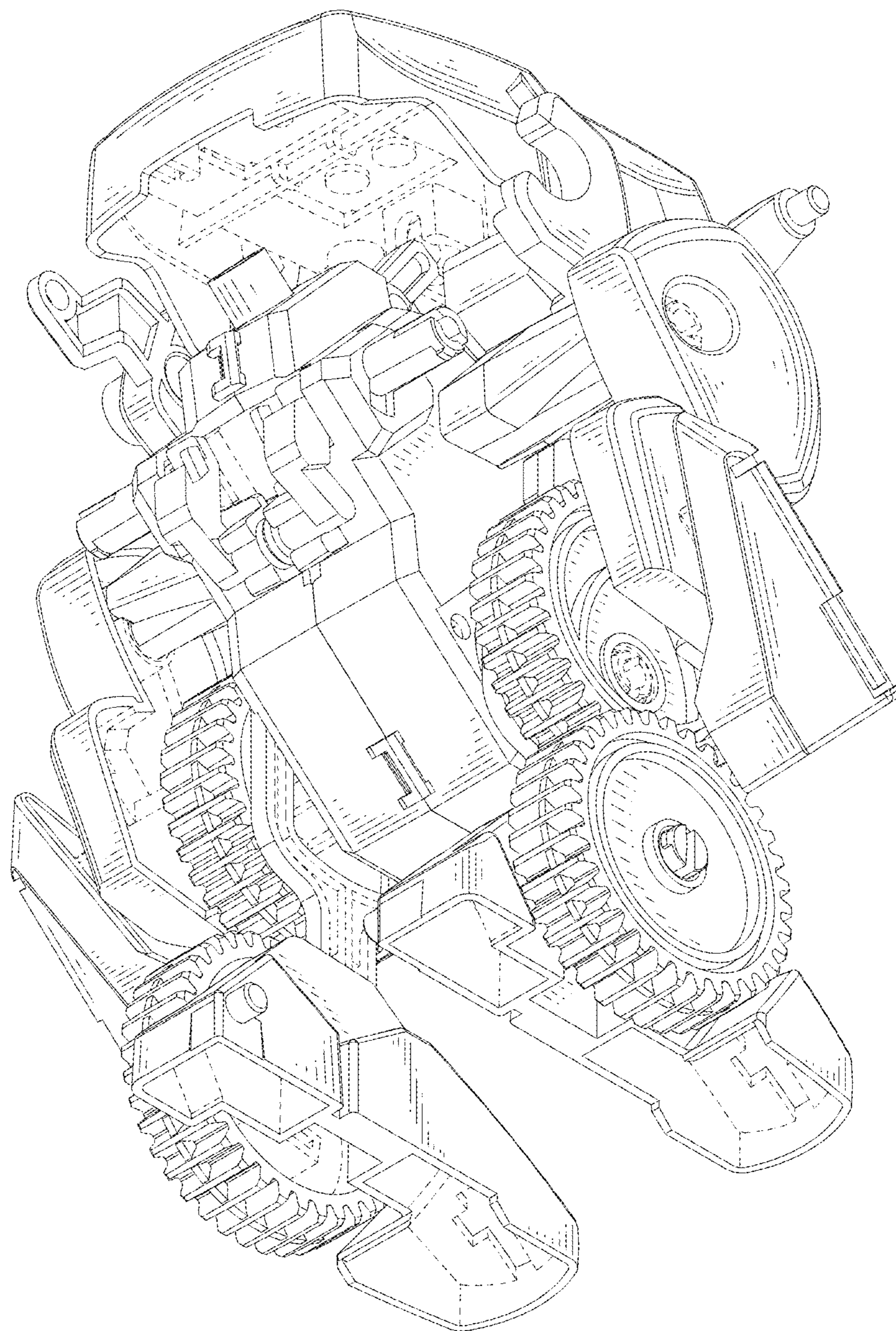


FIG.8