



US00D713475S

(12) **United States Design Patent**  
**Hui**

(10) **Patent No.:** **US D713,475 S**

(45) **Date of Patent:** **\*\* Sep. 16, 2014**

(54) **TOY MOTORCYCLE**

(71) Applicant: **JinJiang HengSheng Toys Co. Ltd.,**  
FuJian (CN)

(72) Inventor: **Mei Nga Hui, FuJian (CN)**

(73) Assignee: **Jinjiang Hengsheng Toys Co. Ltd.,**  
Hengsheng Ind. Zone, Longhu, JinJiang,  
Fujian (CN)

(\*\*) Term: **14 Years**

(21) Appl. No.: **29/443,649**

(22) Filed: **Jan. 21, 2013**

(51) **LOC (10) Cl.** ..... **21-01**

(52) **U.S. Cl.**  
USPC ..... **D21/538; D21/432**

(58) **Field of Classification Search**  
USPC ..... D21/533, 538, 432, 615; D12/107, 108,  
D12/110; 446/72, 429, 431, 433, 440, 454,  
446/455, 456, 465, 468; D11/162; 280/209,  
280/219, 828  
See application file for complete search history.

(56) **References Cited**

**U.S. PATENT DOCUMENTS**

D268,772 S *	4/1983	Hanzawa .....	D21/432
D274,610 S *	7/1984	Schulz .....	D12/110
D280,750 S *	9/1985	Toshimasa .....	D21/538
D281,795 S *	12/1985	Shimomura .....	D21/538
D281,796 S *	12/1985	Shimomura .....	D21/538
D292,010 S *	9/1987	Allen et al. ....	D21/432

D321,849 S *	11/1991	Abe et al. ....	D12/110
D323,064 S *	1/1992	Tsuji .....	D3/271.12
D333,641 S *	3/1993	Sakaguchi et al. ....	D12/110
D346,414 S *	4/1994	Wong .....	D21/538
D435,875 S *	1/2001	Johnson .....	D21/432
D437,262 S *	2/2001	Robb et al. ....	D12/110
D476,381 S *	6/2003	Mukaida .....	D21/538
D519,415 S *	4/2006	Hohdorf et al. ....	D12/110
D582,316 S *	12/2008	Stenegard et al. ....	D12/110
D591,205 S *	4/2009	Heinrich et al. ....	D12/110

\* cited by examiner

*Primary Examiner* — Cynthia M Chin

(74) *Attorney, Agent, or Firm* — Ella Cheong Hong Kong;  
Sam T Yip

(57) **CLAIM**

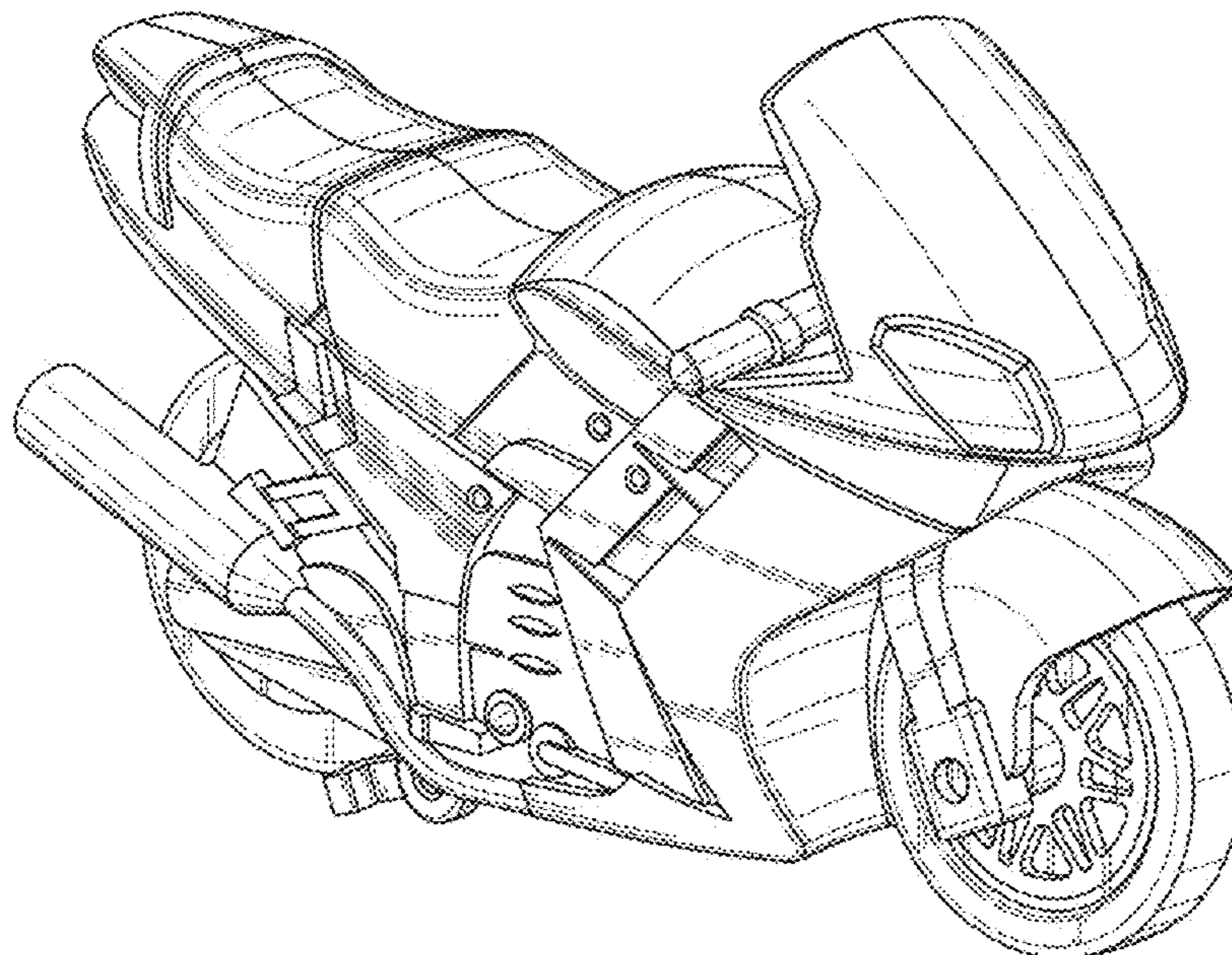
The ornamental design for a toy motorcycle, as shown and described.

**DESCRIPTION**

FIG. 1 is a front perspective view of the toy motorcycle or portion thereof;  
FIG. 2 is a frontal view of the toy motorcycle;  
FIG. 3 is a rear view of the toy motorcycle;  
FIG. 4 is a left side view of the toy motorcycle;  
FIG. 5 is a right side view of the toy motorcycle;  
FIG. 6 is a top view of the toy motorcycle; and,  
FIG. 7 is a bottom view of the toy motorcycle.

The broken lines shown are included for the purpose of illustrating the unclaimed portions of the toy motorcycle and other features in FIGS. 1-7 and form no part of the claimed design.

**1 Claim, 4 Drawing Sheets**



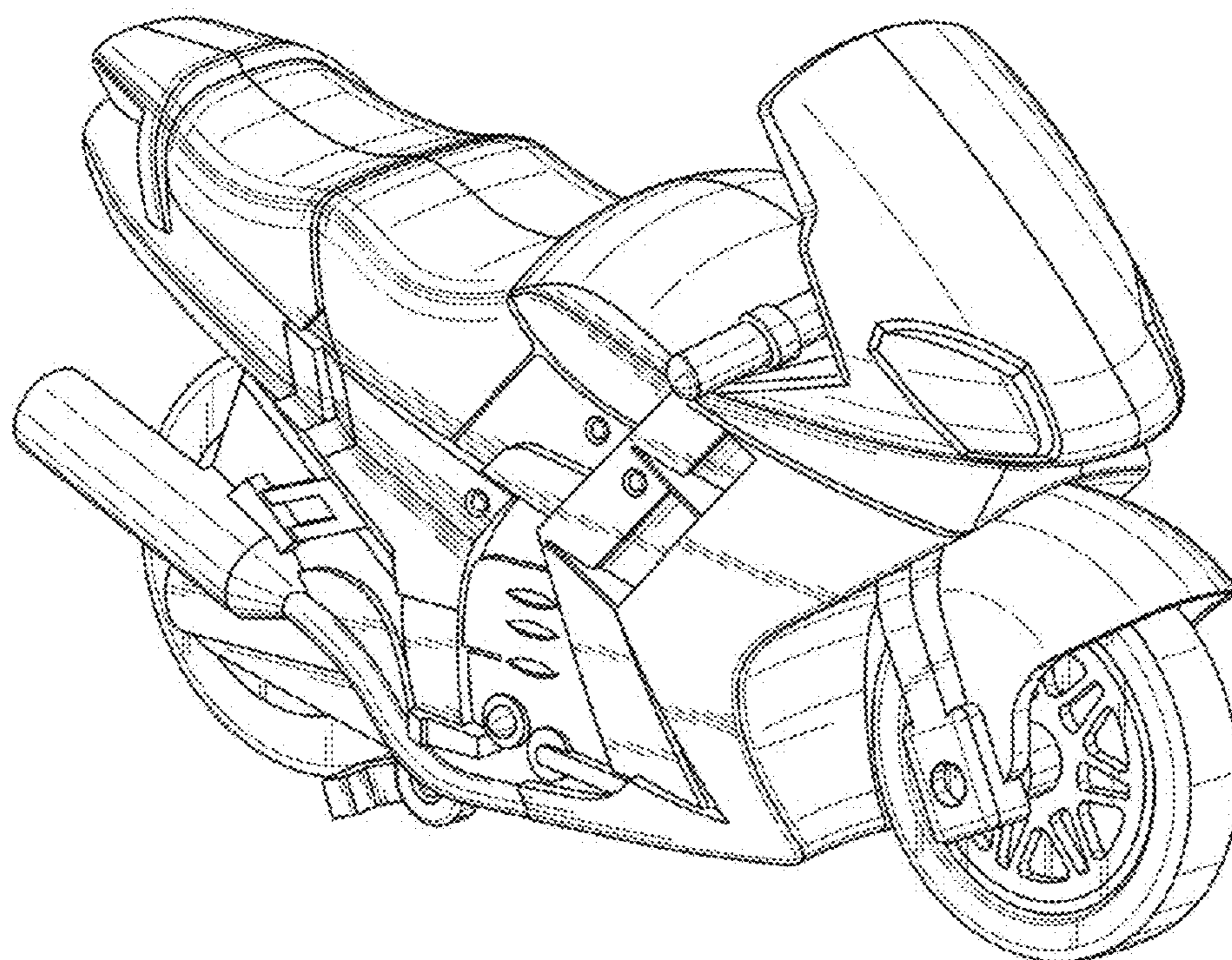


FIG. 1

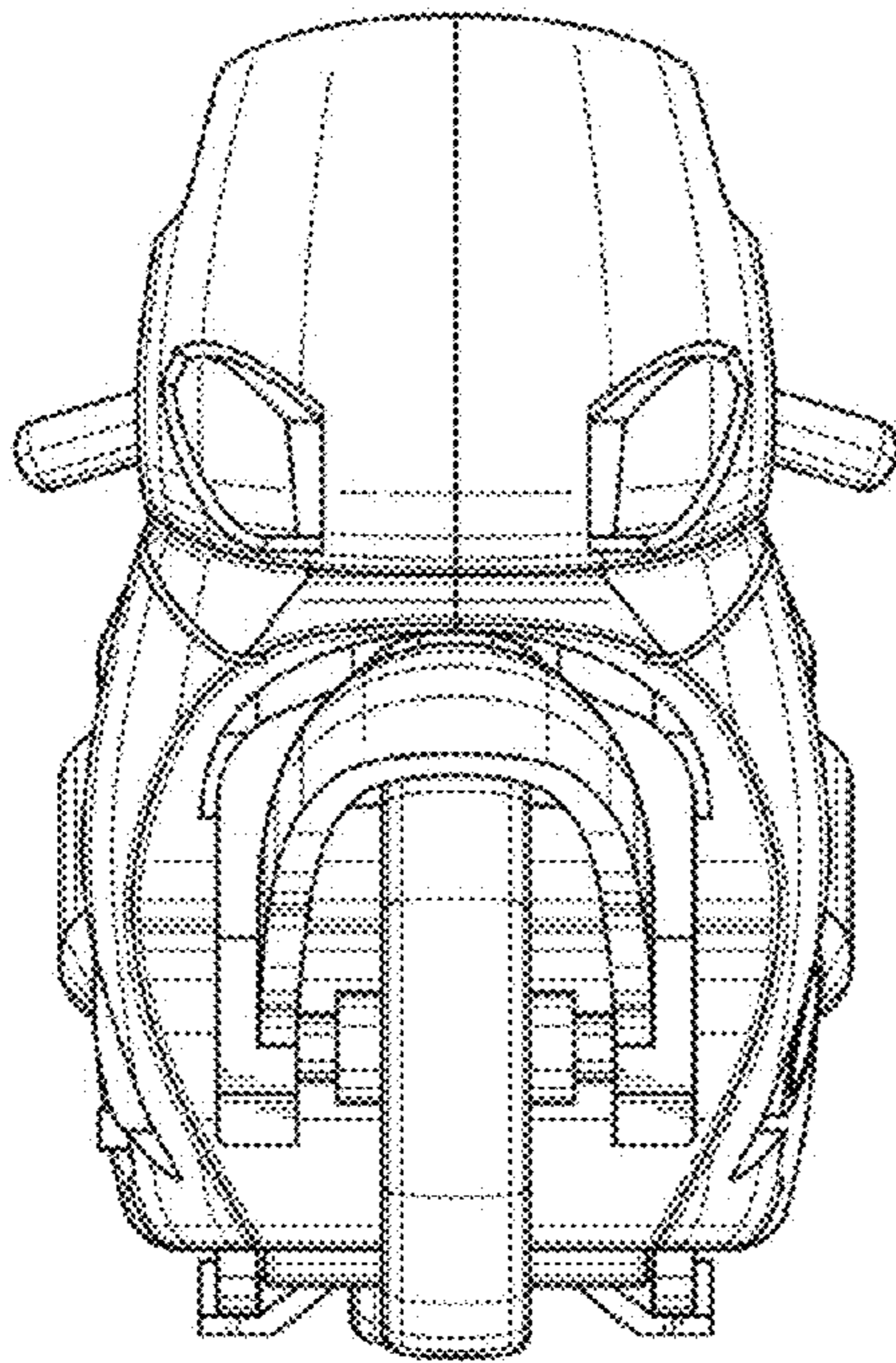


FIG. 2

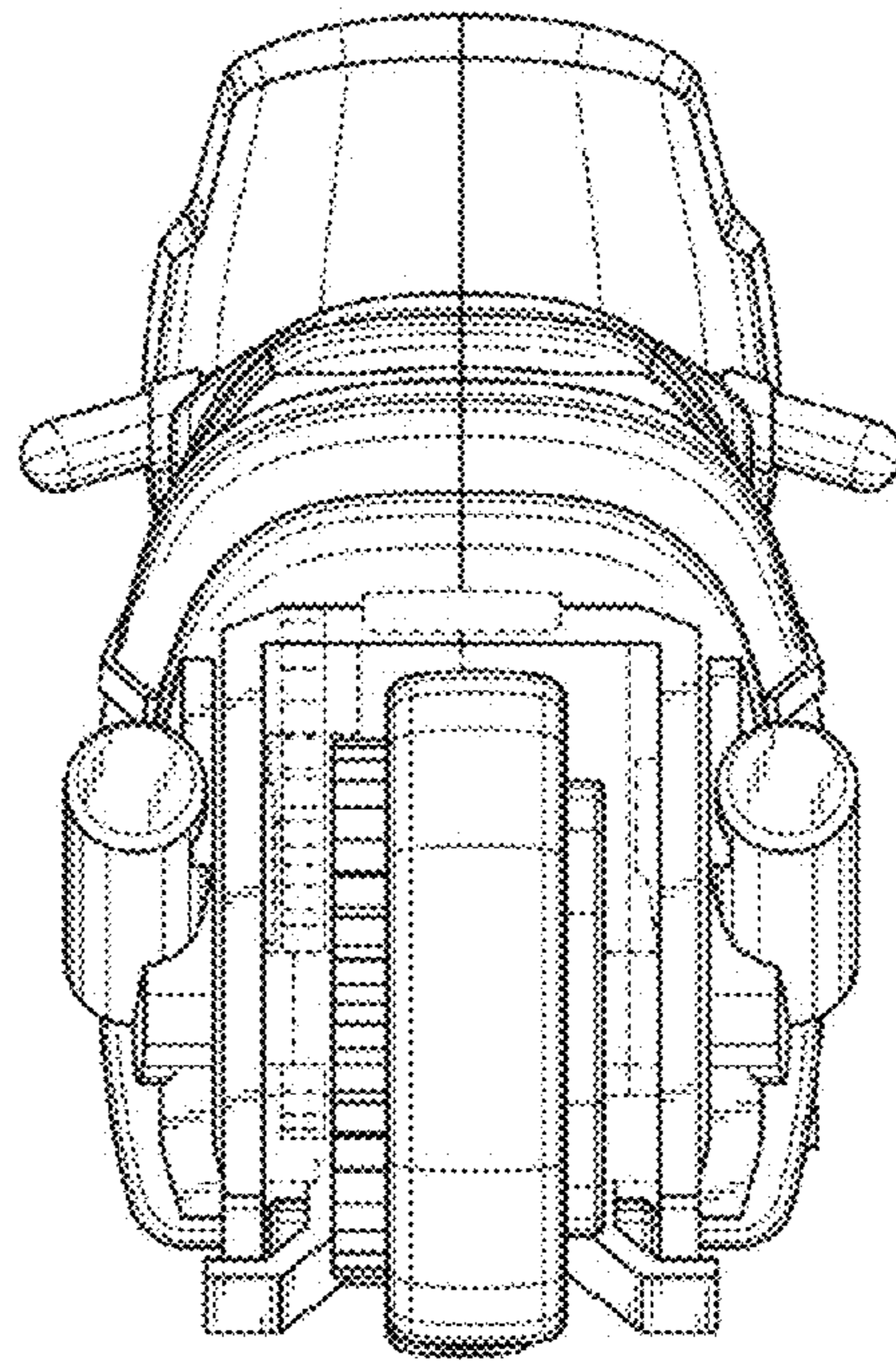


FIG. 3

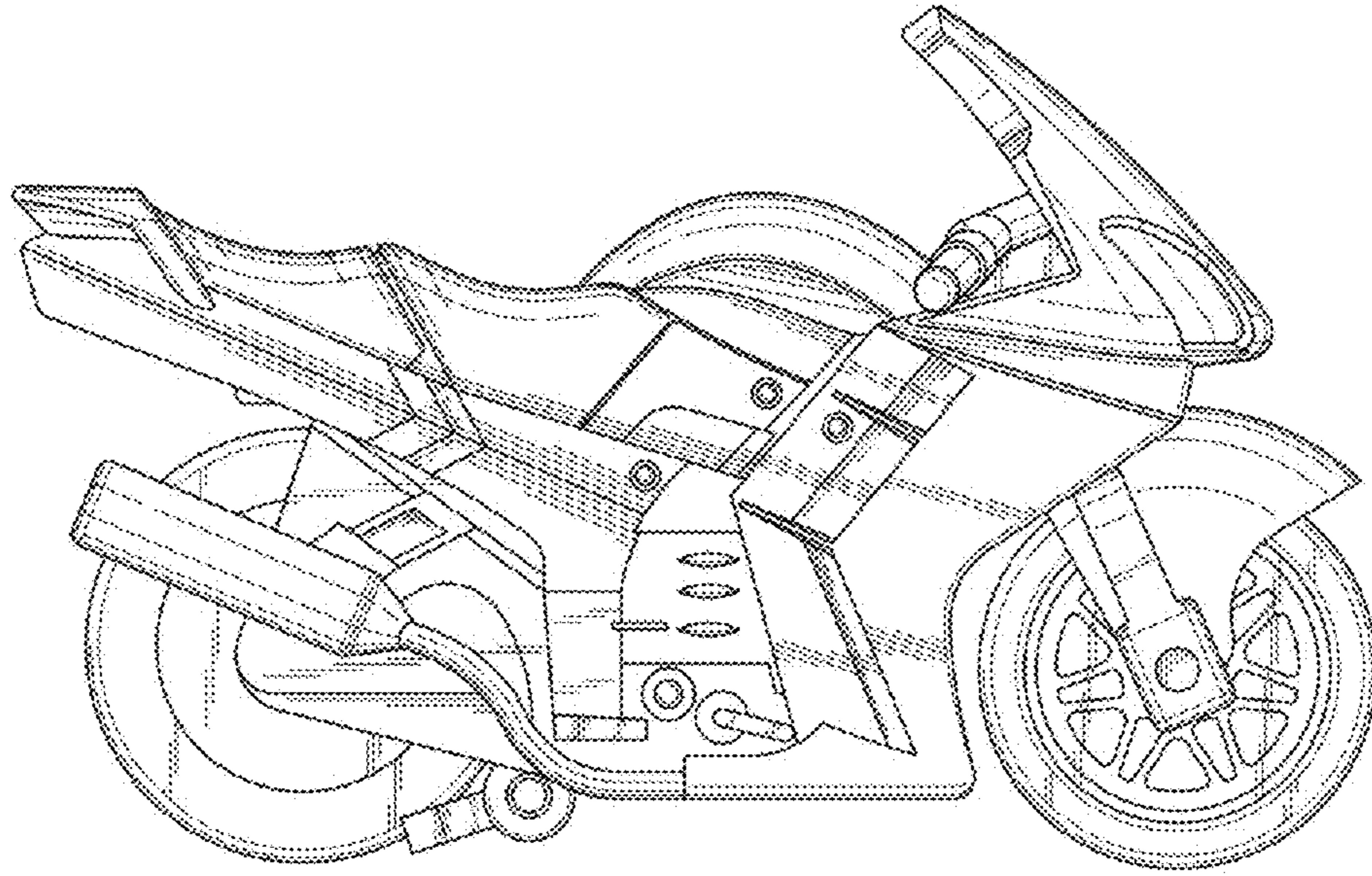


FIG. 4

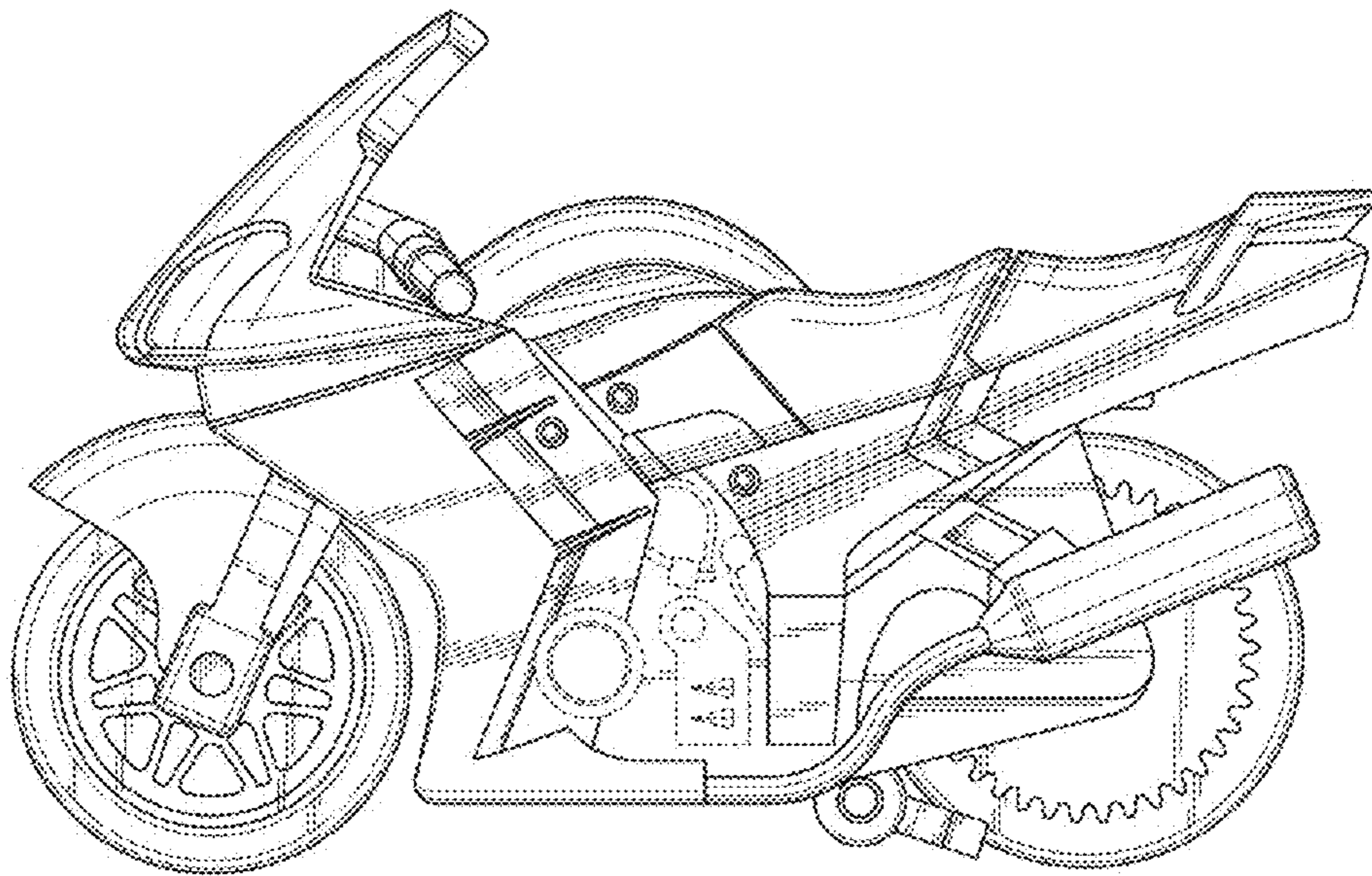


FIG. 5

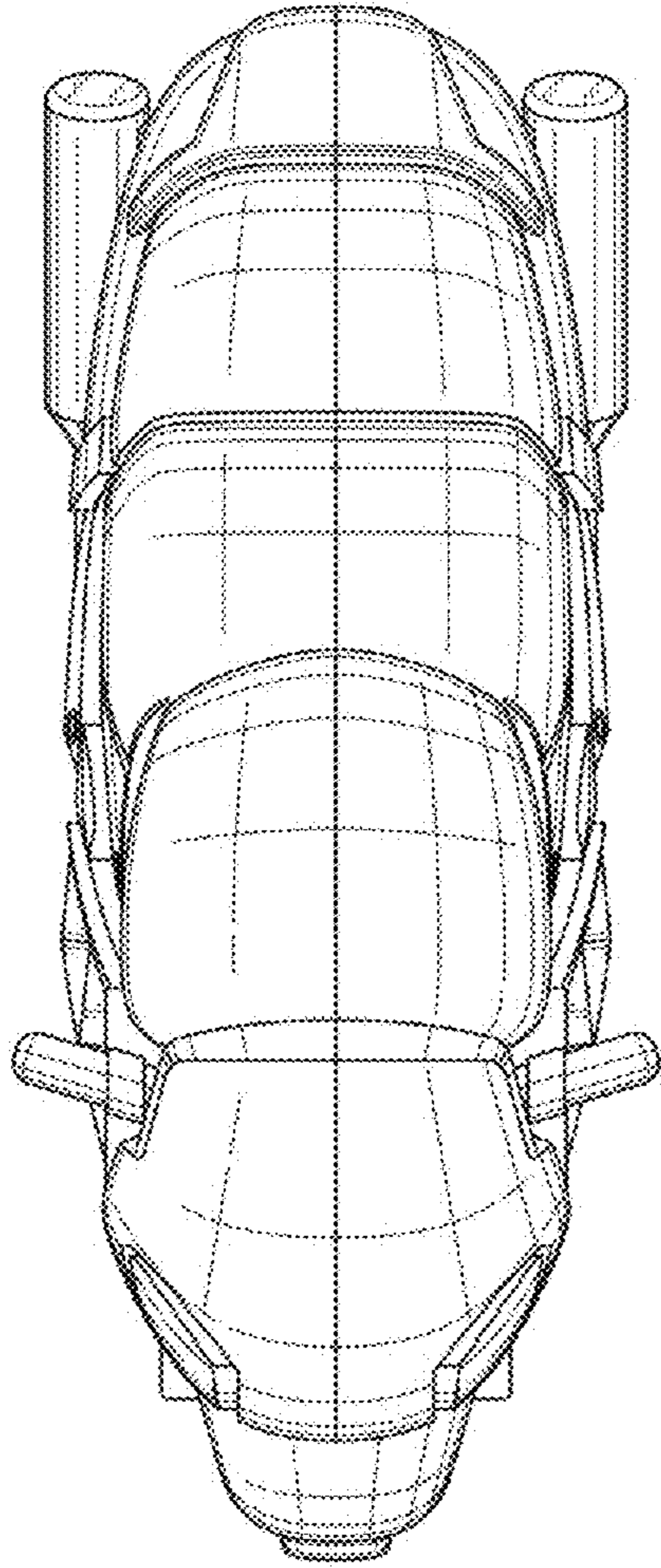


FIG. 6

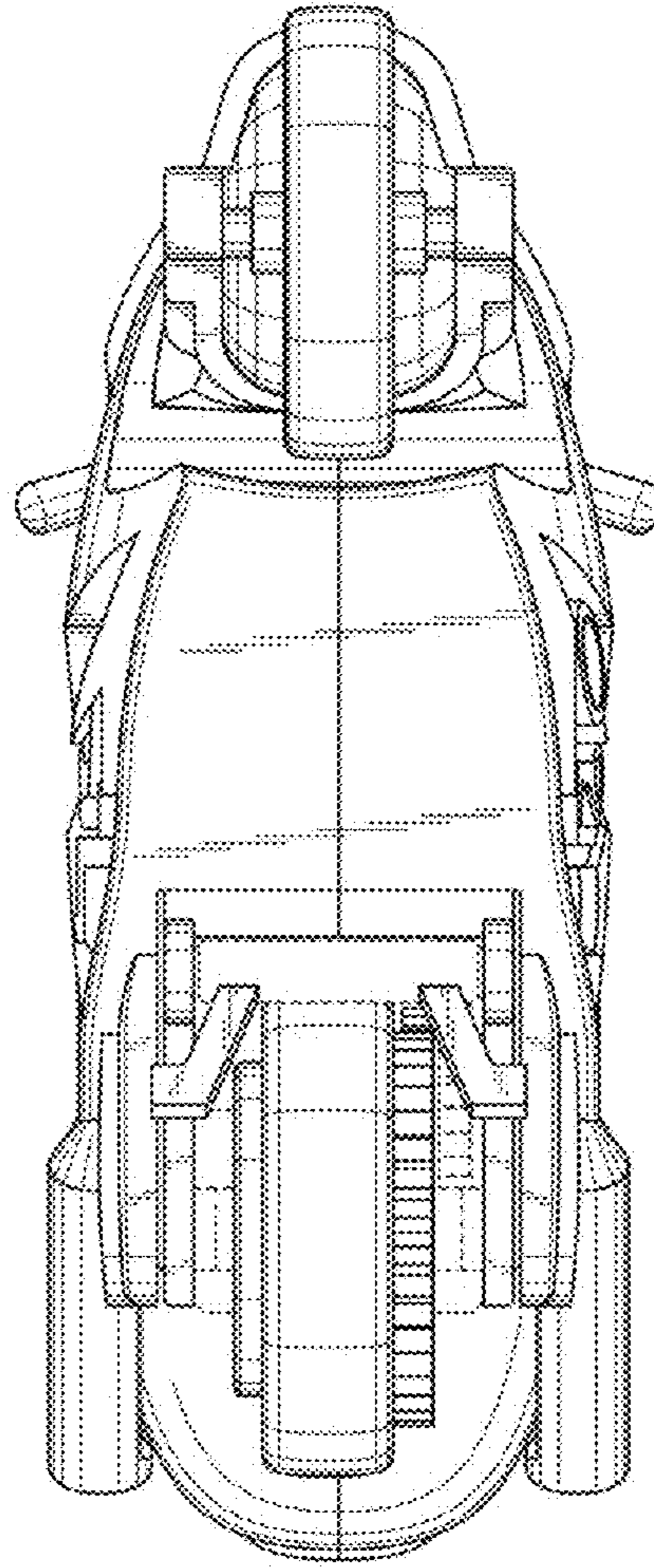


FIG. 7