



US00D713474S

(12) **United States Design Patent**
Roberson et al.

(10) **Patent No.:** **US D713,474 S**
(45) **Date of Patent:** **** Sep. 16, 2014**

(54) **MODULAR TOY BUILDING BLOCK**

(71) Applicant: **bDot Architecture, Inc.**, Birmingham, AL (US)

(72) Inventors: **Brian L. Roberson**, Birmingham, AL (US); **Steven D. Taylor, Jr.**, Birmingham, AL (US)

(73) Assignee: **BDot Architecture, Inc.**, Birmingham, AL (US)

(**) Term: **14 Years**

(21) Appl. No.: **29/470,491**

(22) Filed: **Oct. 22, 2013**

(51) **LOC (10) Cl.** **21-01**

(52) **U.S. Cl.**
USPC **D21/484; D21/501**

(58) **Field of Classification Search**
CPC A63H 33/00; A63H 33/04; A63H 33/06; A63H 33/08; A63H 33/10; A63H 33/12; A63H 33/14; A63F 9/08; A63F 9/12; G09B 1/36
USPC D21/484, 485, 486, 488, 489, 491, 494, D21/495, 499, 500-504; 446/69, 85, 446/102-128; 434/208, 259, 403; 273/153, 273/156, 160; 428/174; D25/113-116, 118

See application file for complete search history.

(56) **References Cited**

U.S. PATENT DOCUMENTS

D155,329	S	*	9/1949	Bindman	D21/484
3,334,798	A	*	8/1967	Pezely, Jr. et al.	273/157 R
D221,092	S	*	7/1971	Daenen	D21/500
3,819,188	A	*	6/1974	Freedman	273/160
D381,051	S	*	7/1997	Zheng	D21/502
D387,397	S	*	12/1997	Zheng	D21/489
D388,841	S	*	1/1998	Zheng	D21/491
5,826,873	A	*	10/1998	Lavermicocca	273/157 R
5,853,314	A	*	12/1998	Bora	446/120
D407,765	S	*	4/1999	Zheng	D21/491
D409,679	S	*	5/1999	Jensen	D21/501
D437,622	S	*	2/2001	Chang	D21/501
D499,151	S	*	11/2004	Arabian	D21/480
D571,867	S	*	6/2008	Gasparotto	D21/489

* cited by examiner

Primary Examiner — Cynthia M Chin

(74) *Attorney, Agent, or Firm* — Bush Intellectual Property Law; Kenneth M. Bush

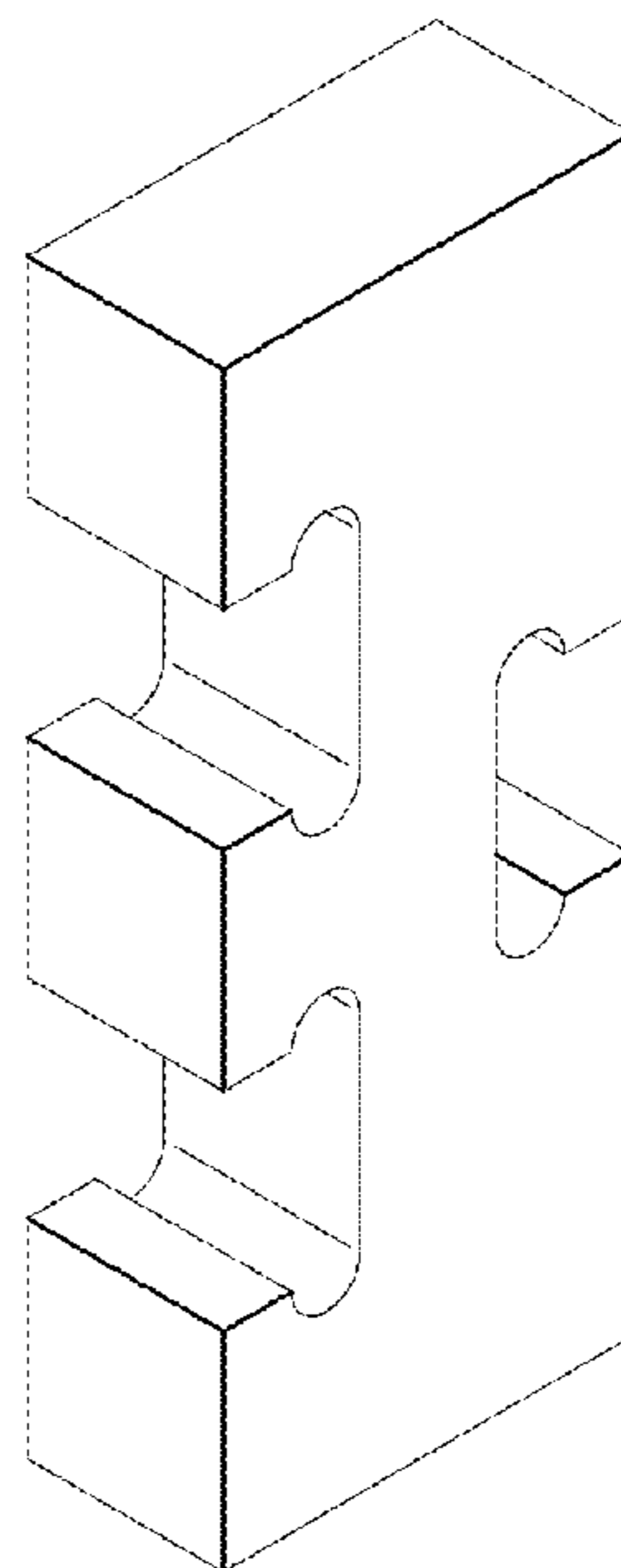
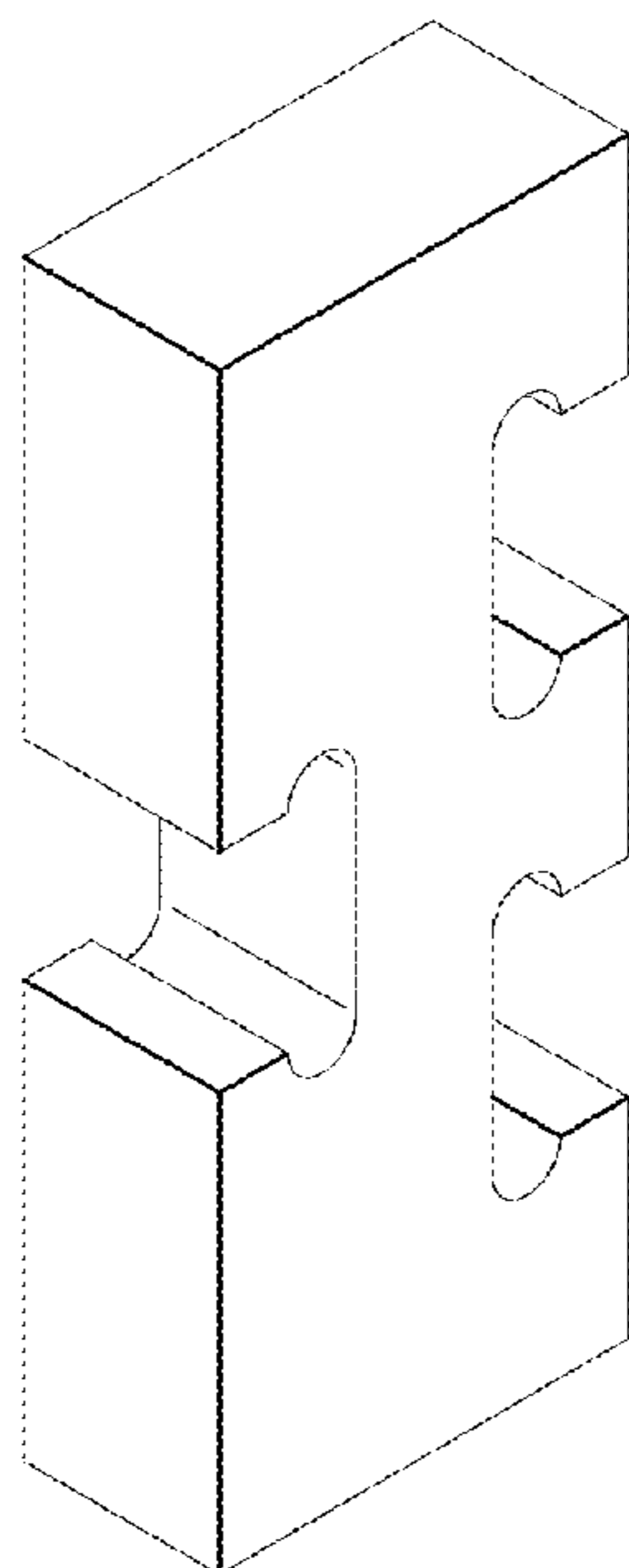
(57) **CLAIM**

We claim the ornamental design for a modular toy building block, as shown and described.

DESCRIPTION

FIG. 1 is a left front perspective view of a modular toy building block showing our new design;
FIG. 2 is a right rear perspective view thereof;
FIG. 3 is a front elevation view thereof, the rear elevation view being a mirror image thereof;
FIG. 4 is a left side elevation view thereof;
FIG. 5 is a right side elevation view thereof;
FIG. 6 is a top plan view thereof; and,
FIG. 7 is a bottom plan view thereof.

1 Claim, 2 Drawing Sheets



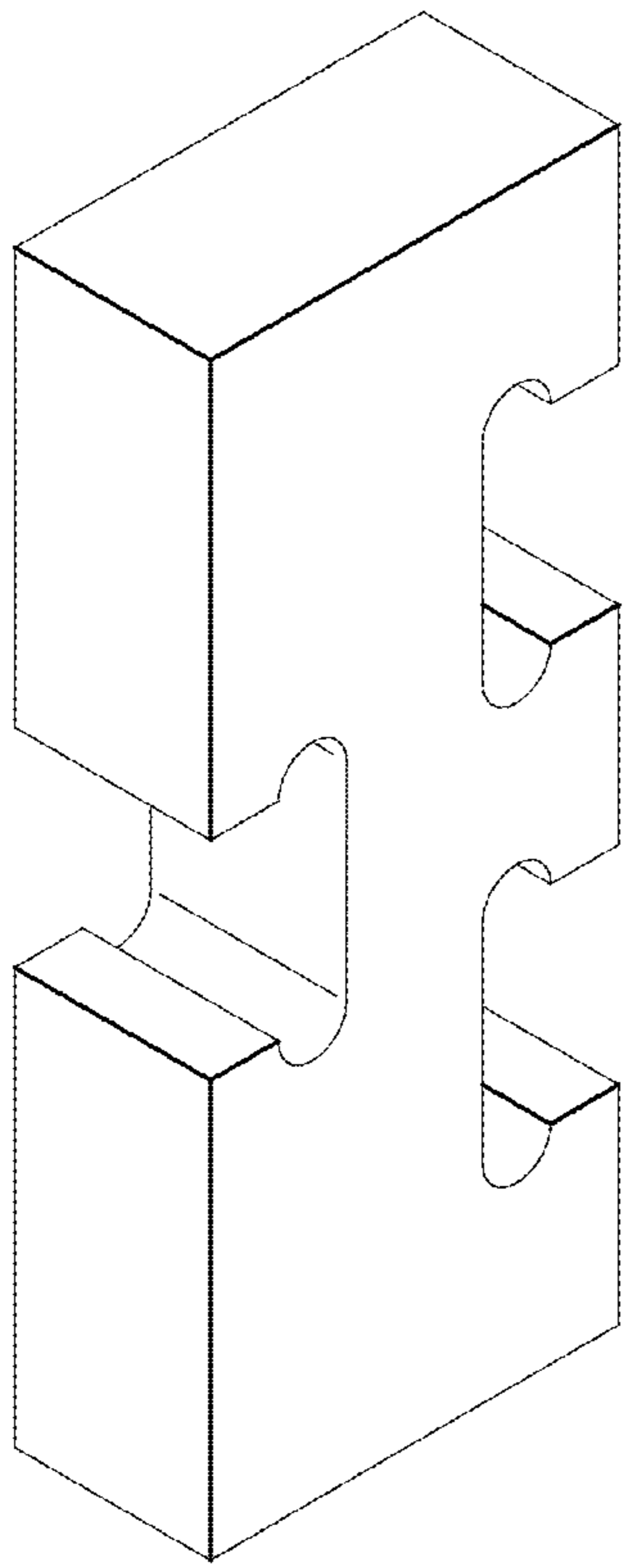


FIG. 1

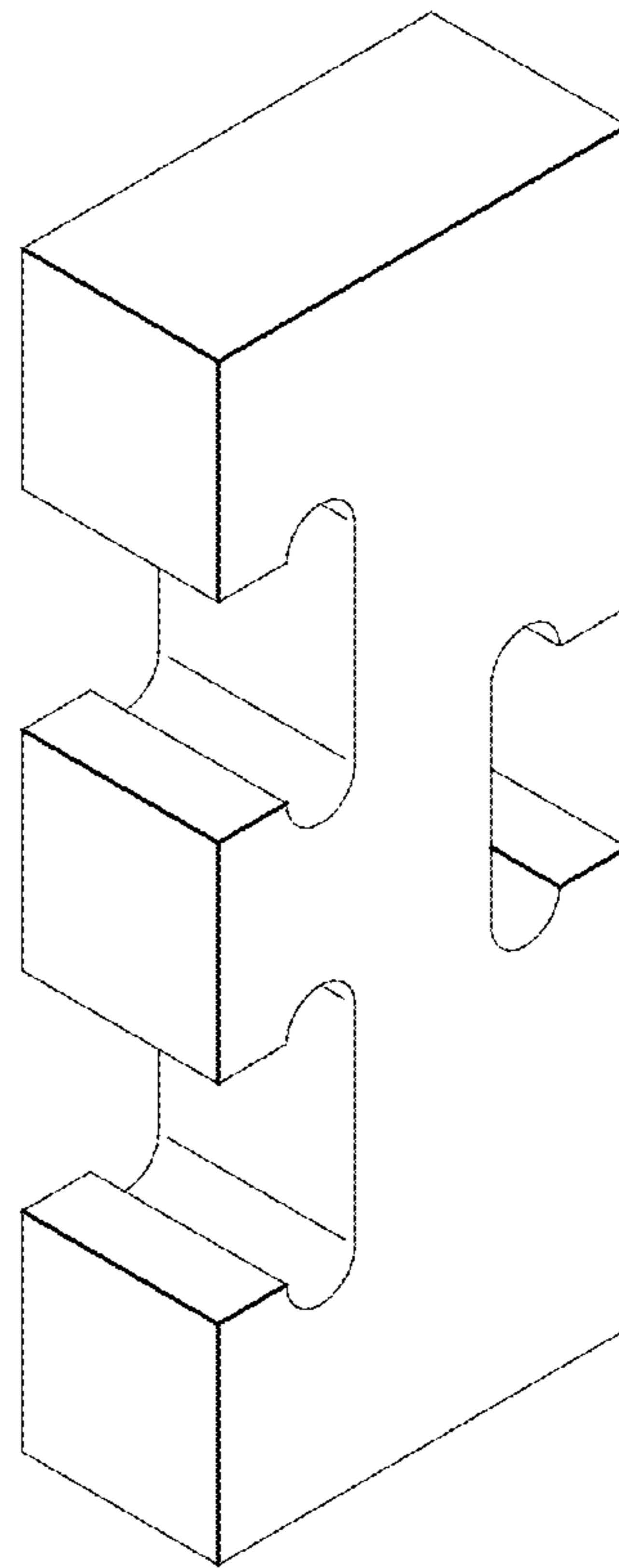


FIG. 2

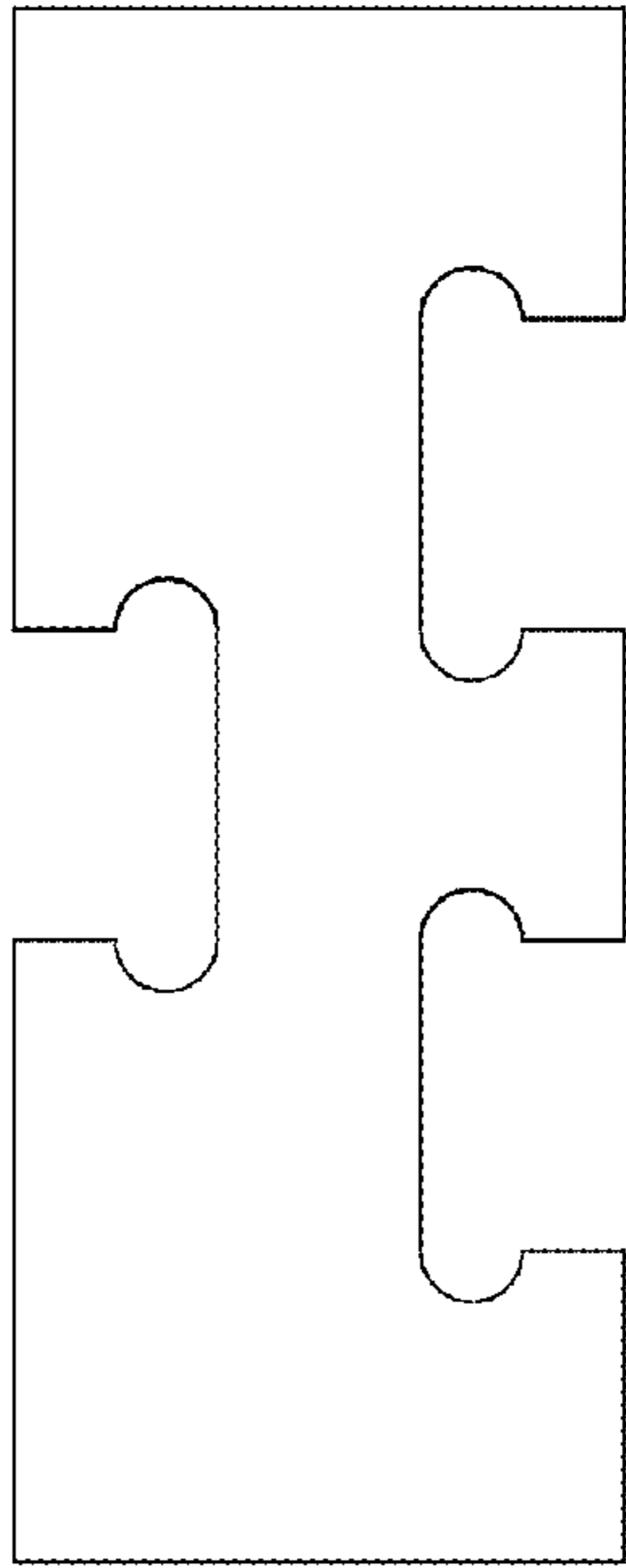


FIG. 3



FIG. 4

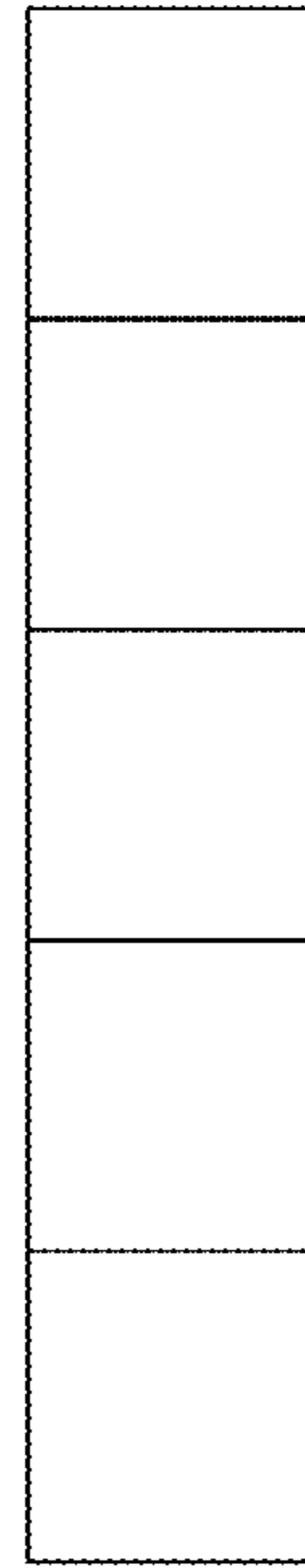


FIG. 5

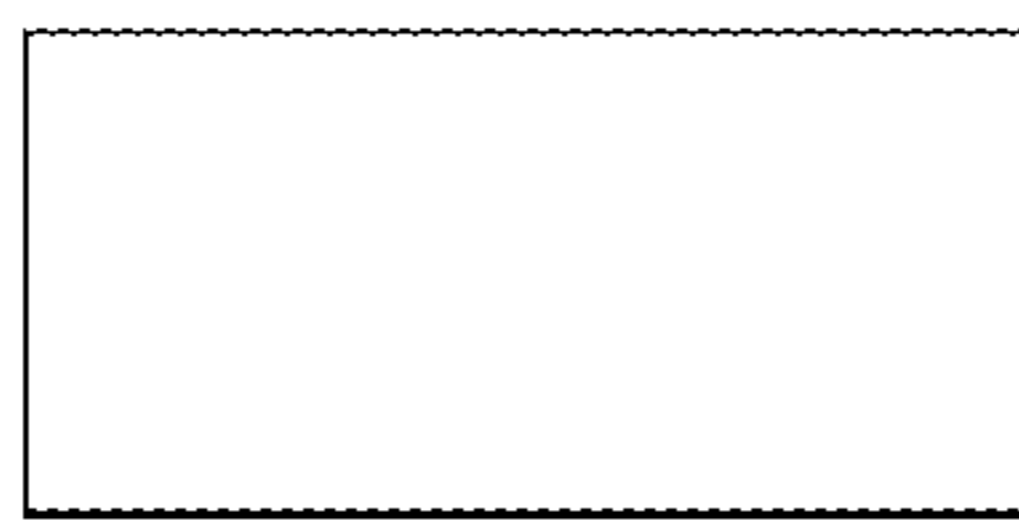


FIG. 6

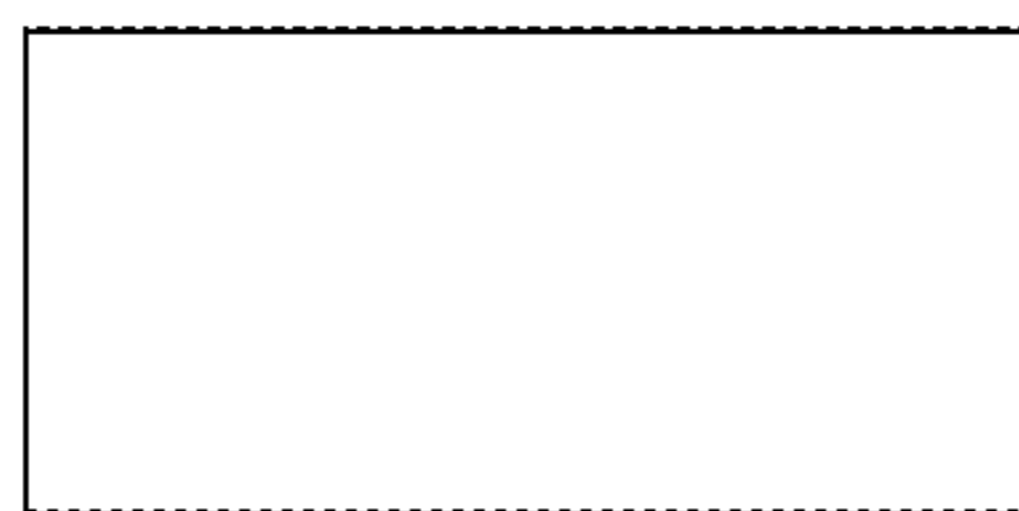


FIG. 7