



US00D713473S

(12) **United States Design Patent**
Kuo

(10) **Patent No.:** **US D713,473 S**

(45) **Date of Patent:** **** Sep. 16, 2014**

(54) **PLASTIC PLAYING CARD HOLDER**

(71) Applicant: **Ultra PRO International, LLC**,
Commerce, CA (US)

(72) Inventor: **Chen Kuo**, Commerce, CA (US)

(73) Assignee: **Ultra PRO International, LLC**,
Commerce, CA (US)

(**) Term: **14 Years**

(21) Appl. No.: **29/468,188**

(22) Filed: **Sep. 26, 2013**

(51) **LOC (10) Cl.** **21-01**

(52) **U.S. Cl.**
USPC **D21/392**

(58) **Field of Classification Search**
USPC D21/307-308, 334-368, 376-397;
273/236-287, 288-291; 40/649;
D14/435; D6/300

See application file for complete search history.

(56) **References Cited**

U.S. PATENT DOCUMENTS

D377,808 S * 2/1997 Coe D19/90
6,203,012 B1 * 3/2001 Peron 273/148 A

6,851,556 B1 * 2/2005 Valdez et al. 206/449
D530,926 S * 10/2006 Sellers D6/300
D667,829 S * 9/2012 Berntsen D14/435
2005/0262748 A1 * 12/2005 Curtis 40/649
2013/0146487 A1 * 6/2013 Macor 206/232

* cited by examiner

Primary Examiner — George D Kirschbaum

(74) *Attorney, Agent, or Firm* — Kevin Keener; Keener and Associates P.C.

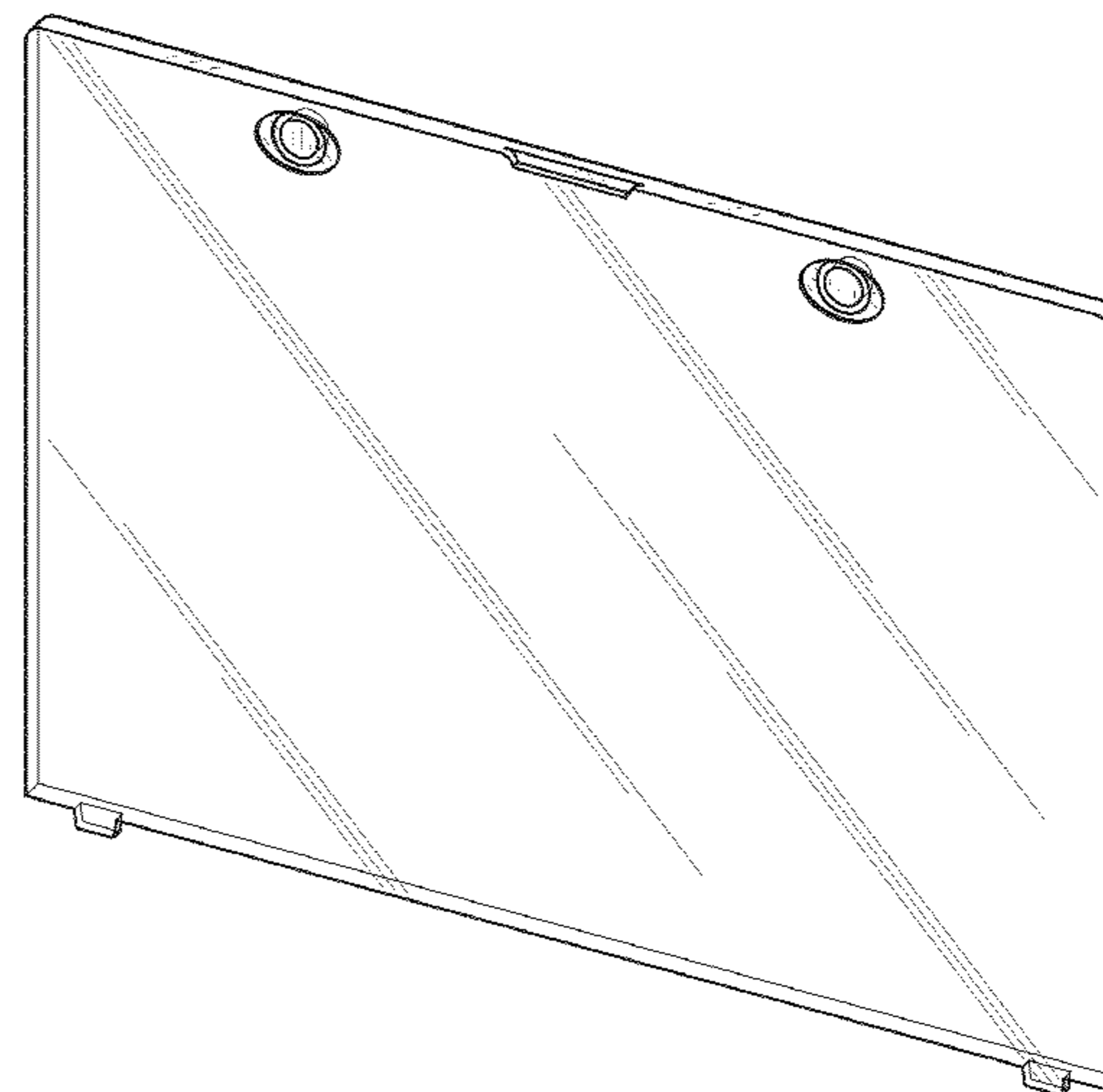
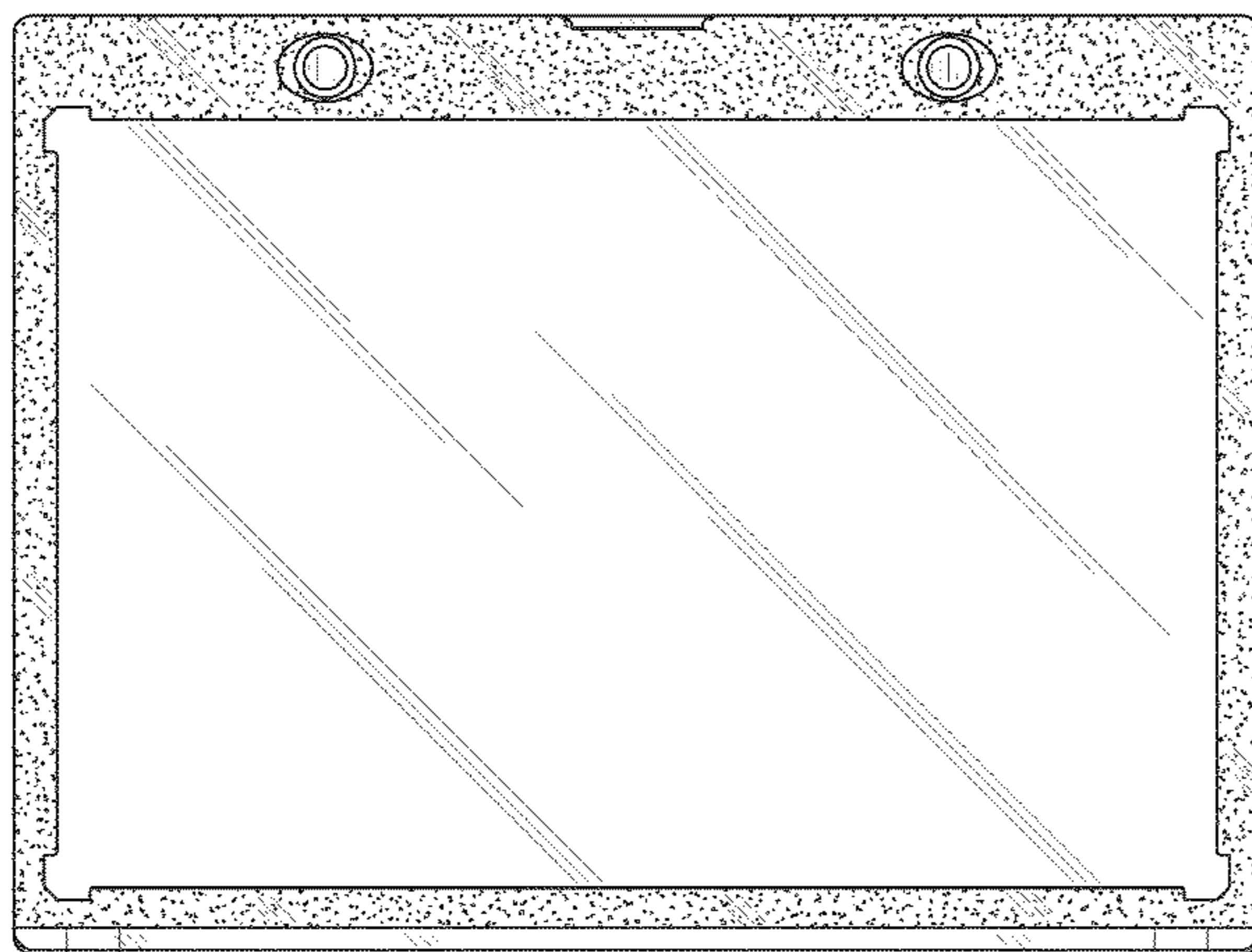
(57) **CLAIM**

The ornamental design for a plastic playing card holder, as shown and described.

DESCRIPTION

FIG. 1 is a front plan view of the base of a plastic playing card holder showing my new design;
FIG. 2 is cross-sectional view taken along the lines 2-2 in FIG. 1 thereof;
FIG. 3 is a perspective view thereof;
FIG. 4 is a front plan view of the lid of the plastic playing card holder;
FIG. 5 is a cross-sectional view taken along the lines thereof; and,
FIG. 6 is a perspective view thereof.

1 Claim, 6 Drawing Sheets



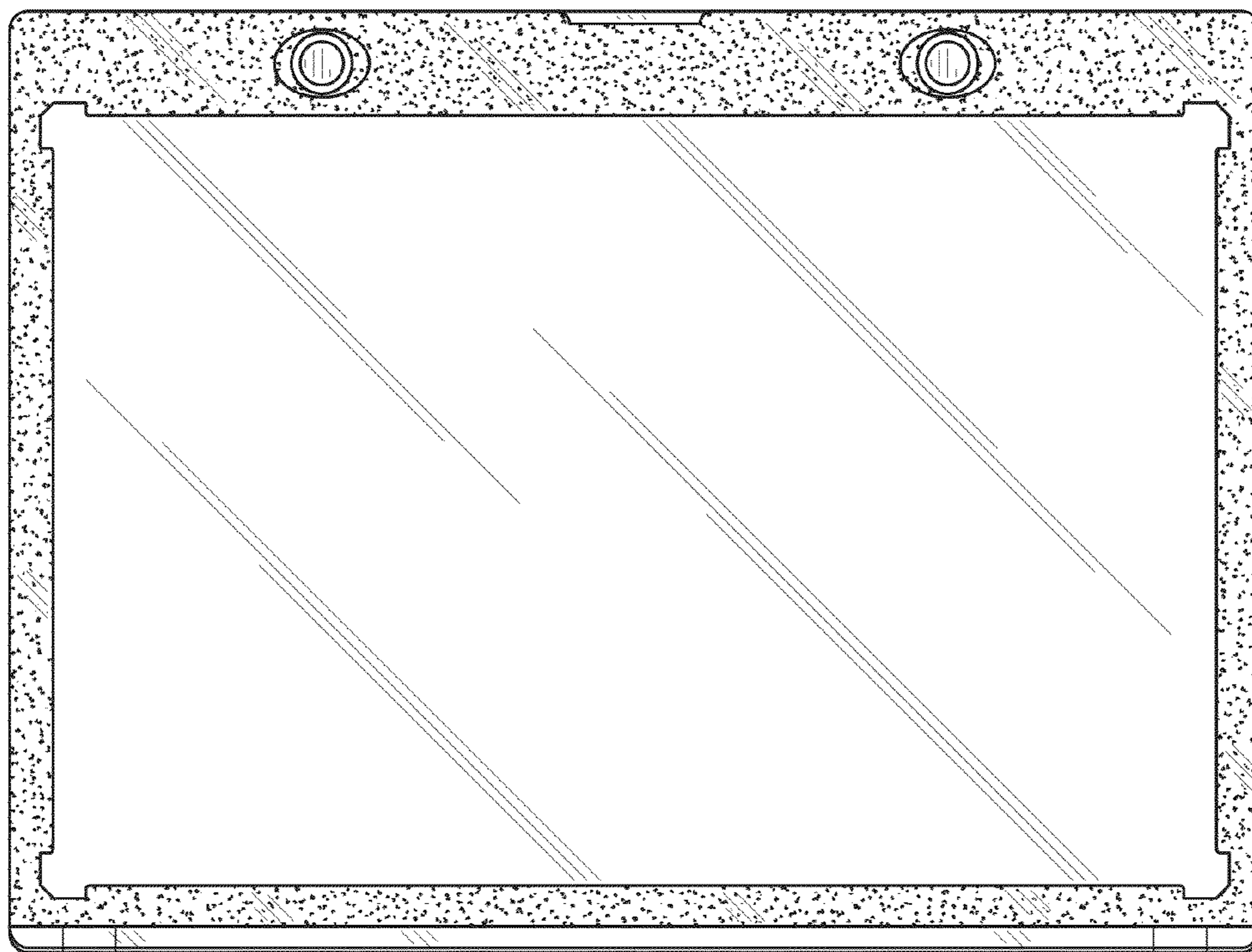


FIG. 1

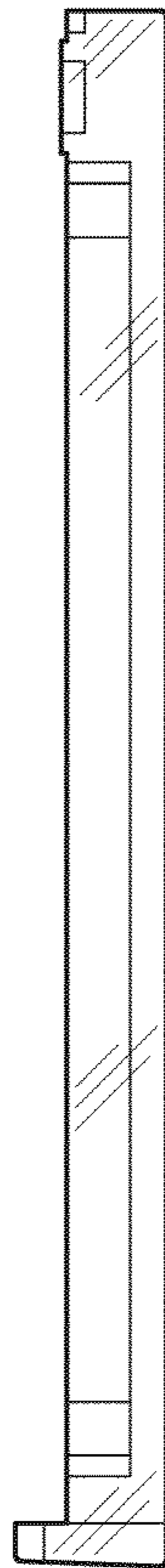


FIG. 2

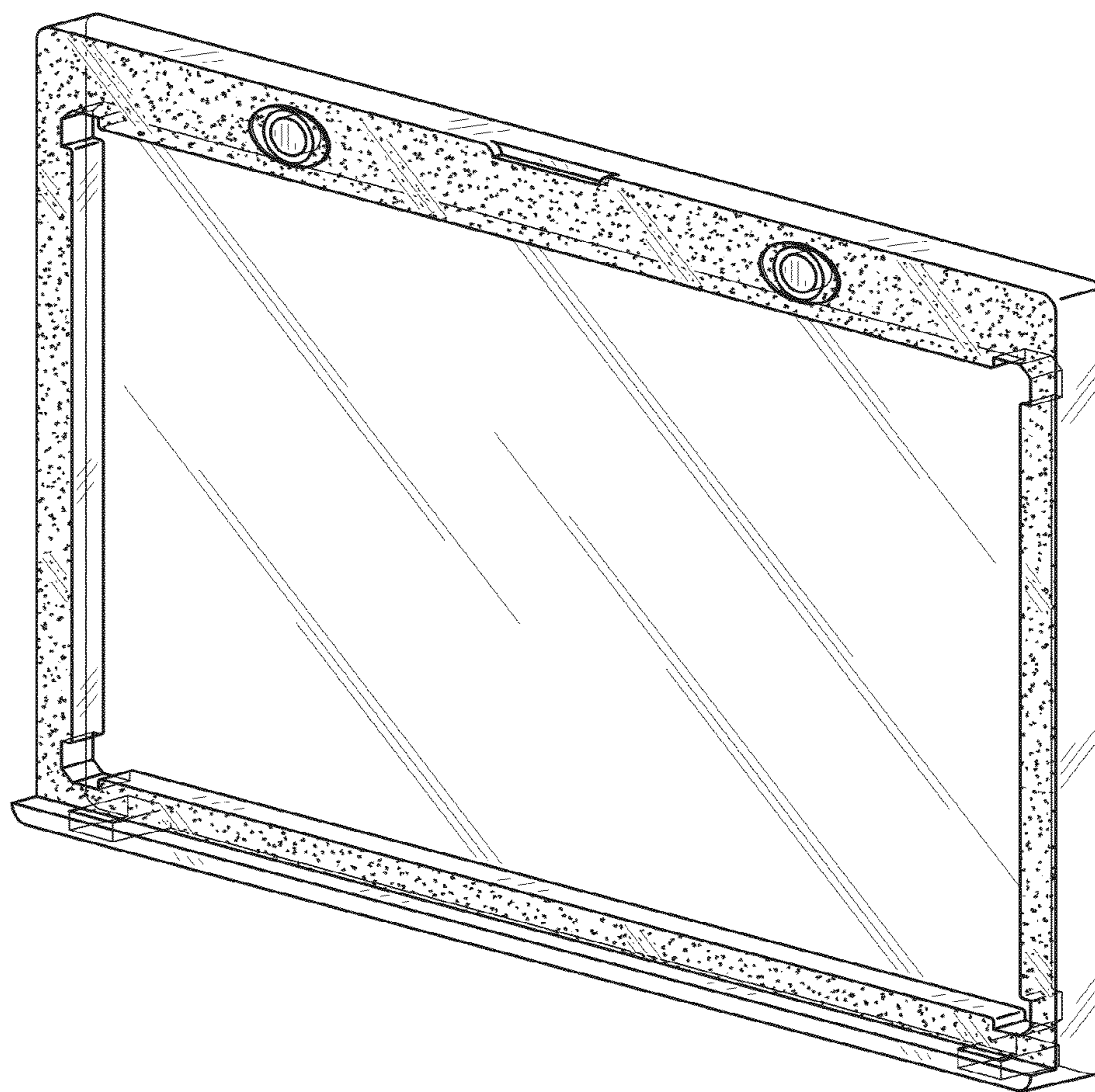


FIG. 3

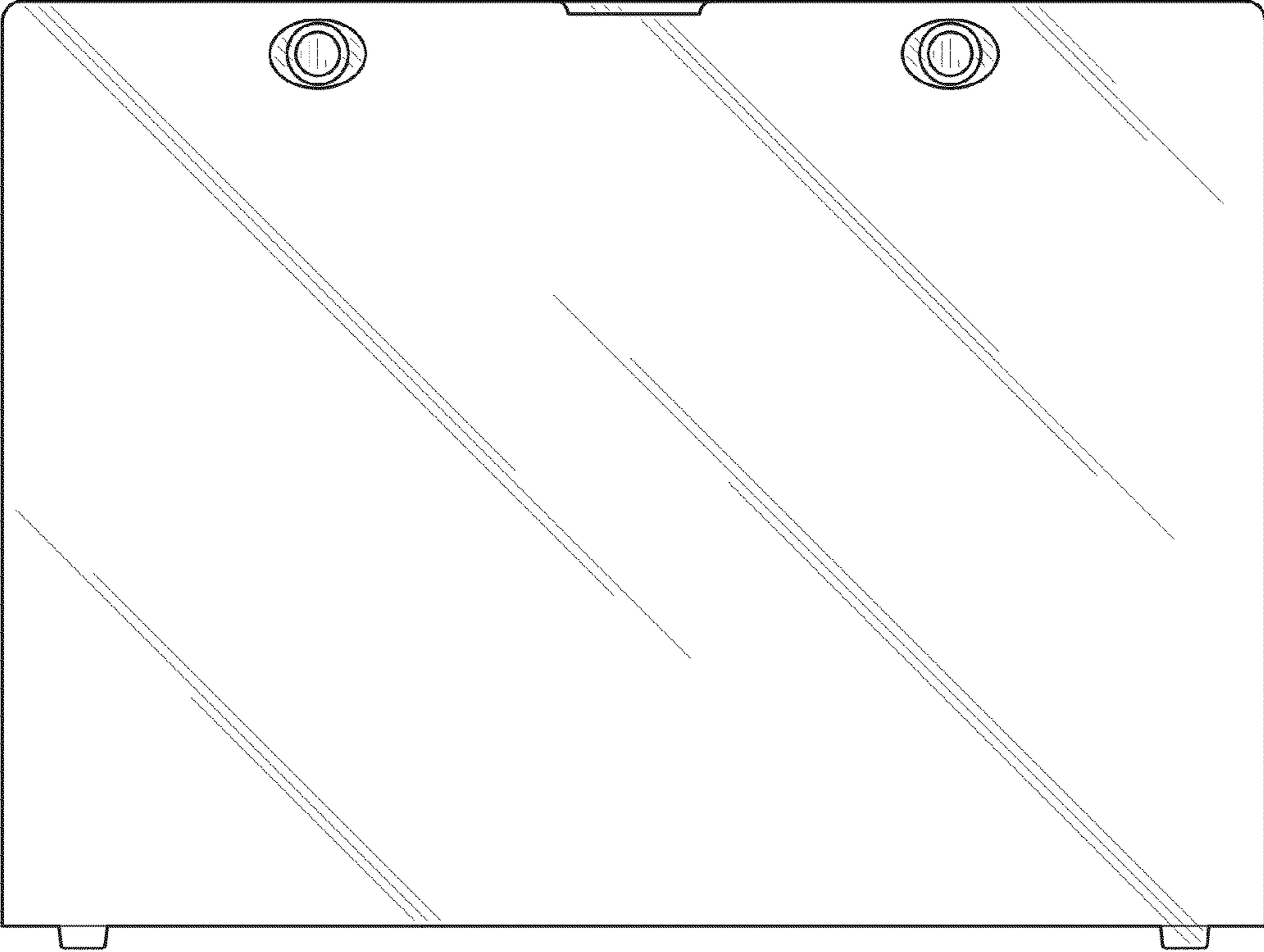


FIG. 4



FIG. 5

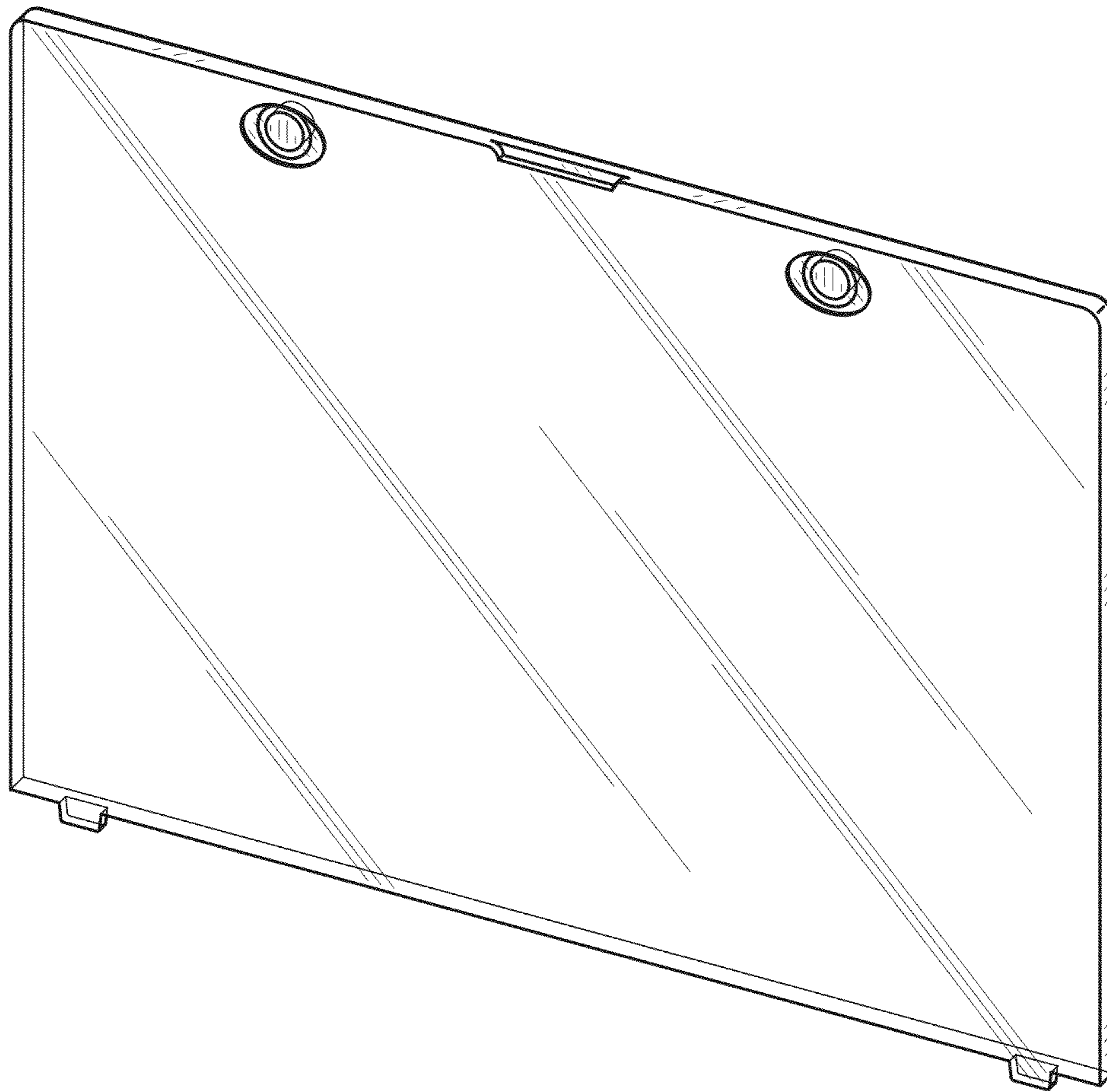


FIG. 6