



US00D713472S

(12) **United States Design Patent**  
**Patyn**

(10) **Patent No.:** **US D713,472 S**

(45) **Date of Patent:** **\*\* Sep. 16, 2014**

(54) **PLAYING PIECE FOR A GAME**

(71) Applicant: **Chocdecor BVBA**, Lokeren (BE)

(72) Inventor: **Luk Patyn**, Sint-Niklaas (BE)

(73) Assignee: **Chocdecor BVBA**, Lokeren (BE)

(\*\*) Term: **14 Years**

(21) Appl. No.: **29/483,324**

(22) Filed: **Feb. 27, 2014**

(30) **Foreign Application Priority Data**

Aug. 27, 2013 (EM) ..... 002297697-001

(51) **LOC (10) Cl.** ..... **21-01**

(52) **U.S. Cl.**  
USPC ..... **D21/386**

(58) **Field of Classification Search**  
USPC ..... D21/307–308, 334–368, 376–397, 594,  
D21/621; 273/236–287, 288–291; D19/141;  
D4/108

See application file for complete search history.

(56) **References Cited**

**U.S. PATENT DOCUMENTS**

D113,238 S \* 2/1939 Reighard ..... D21/621  
D138,777 S \* 9/1944 Lewis ..... D21/594

D366,961 S \* 2/1996 Barre ..... D4/108  
D445,151 S \* 7/2001 Chu ..... D21/594  
D482,744 S \* 11/2003 Krueger ..... D21/621  
D487,112 S \* 2/2004 Cheng ..... D19/42  
D671,602 S \* 11/2012 Bradford ..... D21/621

\* cited by examiner

*Primary Examiner* — George D Kirschbaum

(74) *Attorney, Agent, or Firm* — Kirschstein et al.

(57) **CLAIM**

The ornamental design for a playing piece for a game, as shown and described.

**DESCRIPTION**

FIG. 1 is a perspective view of a playing piece for a game according to my new design;

FIG. 2 is a front elevational view thereof;

FIG. 3 is a top plan view thereof;

FIG. 4 is a right side elevational view thereof, the left side elevational view being a mirror image;

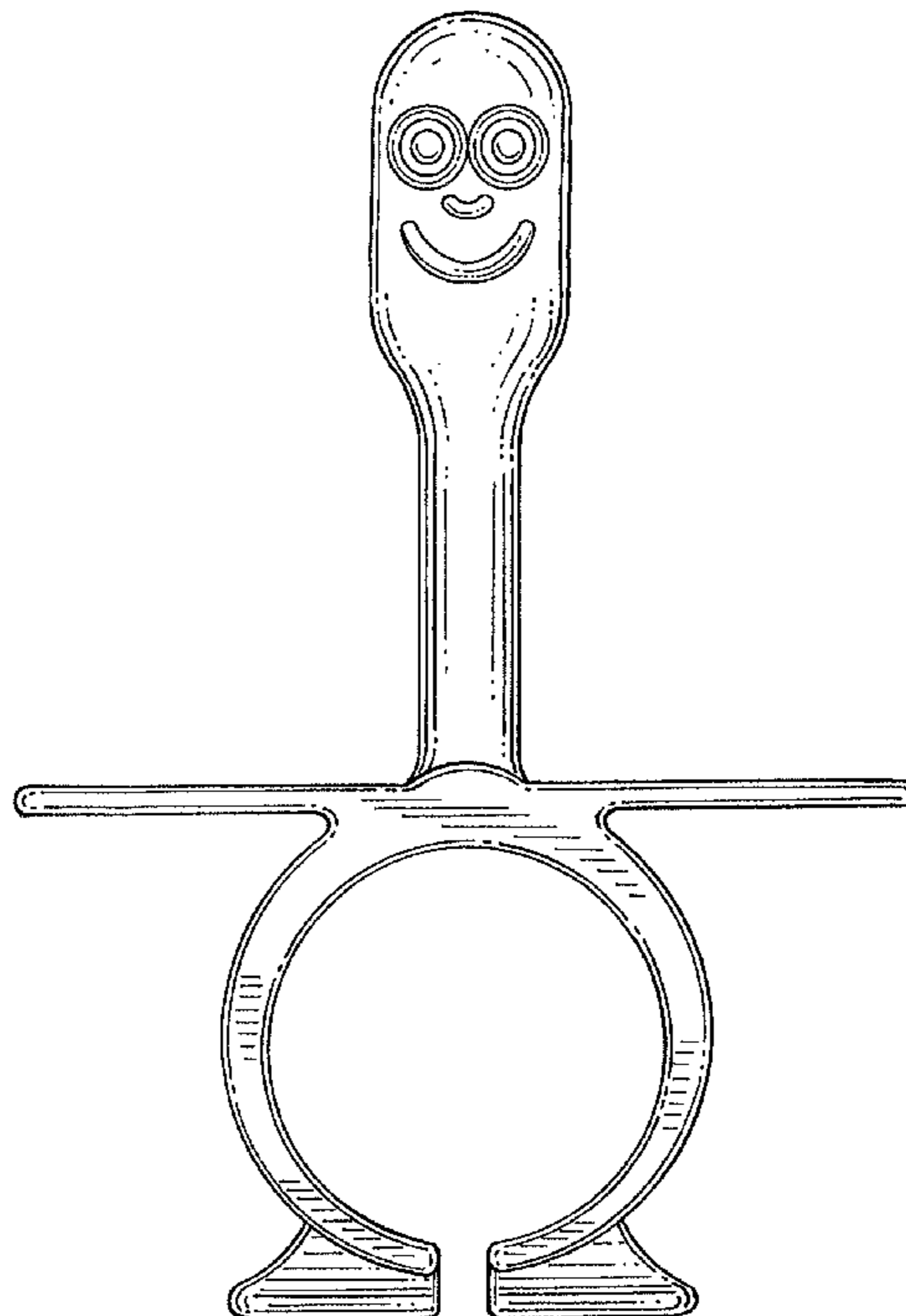
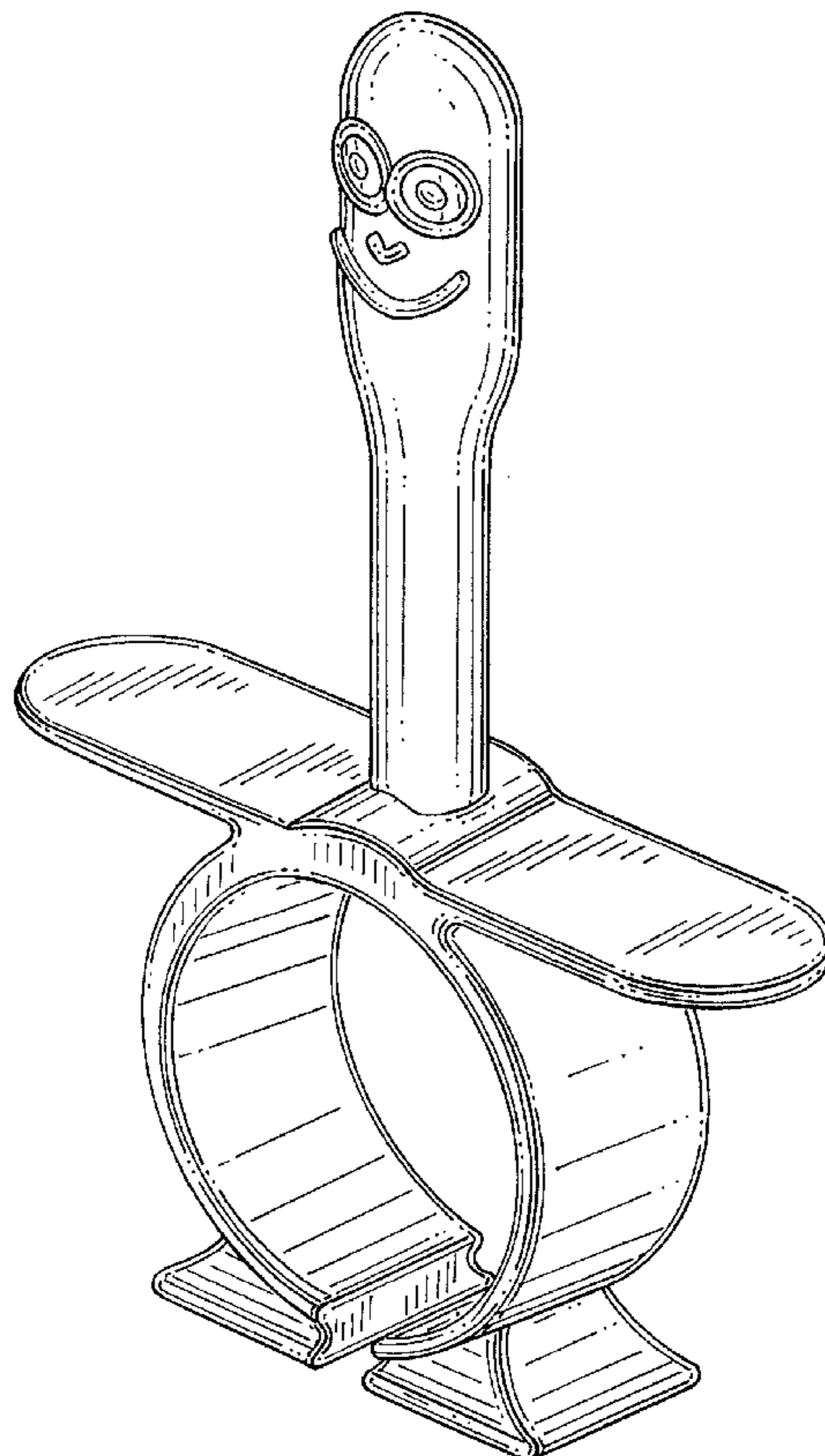
FIG. 5 is a rear elevational view thereof;

FIG. 6 is a bottom plan view thereof; and,

FIG. 7 is an alternate front elevational view thereof.

The broken line showing of a body is included for the purpose of illustrating portions of the “article” and forms no part of the claimed design.

**1 Claim, 6 Drawing Sheets**



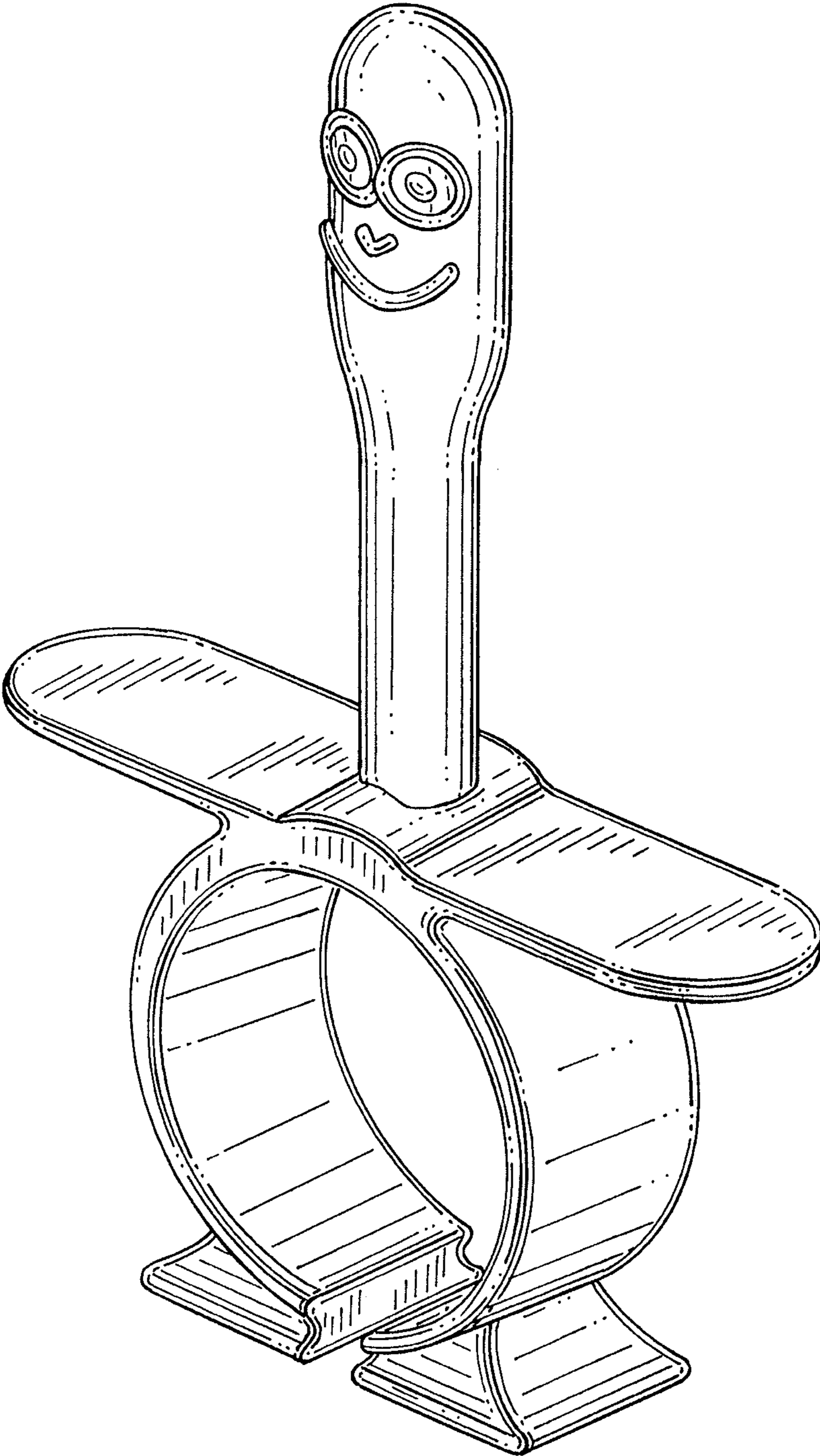


FIG. 1

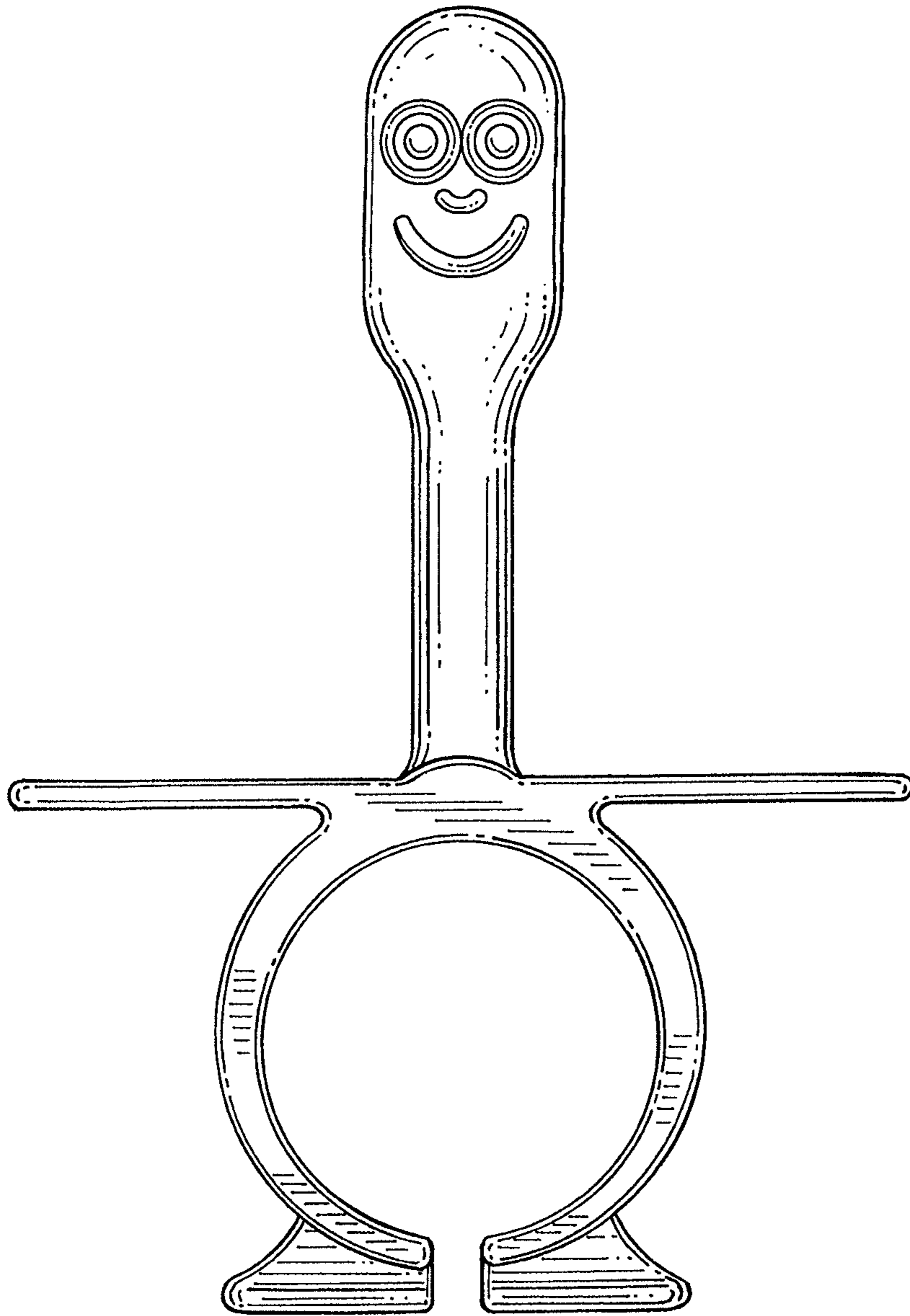


FIG. 2

FIG. 3

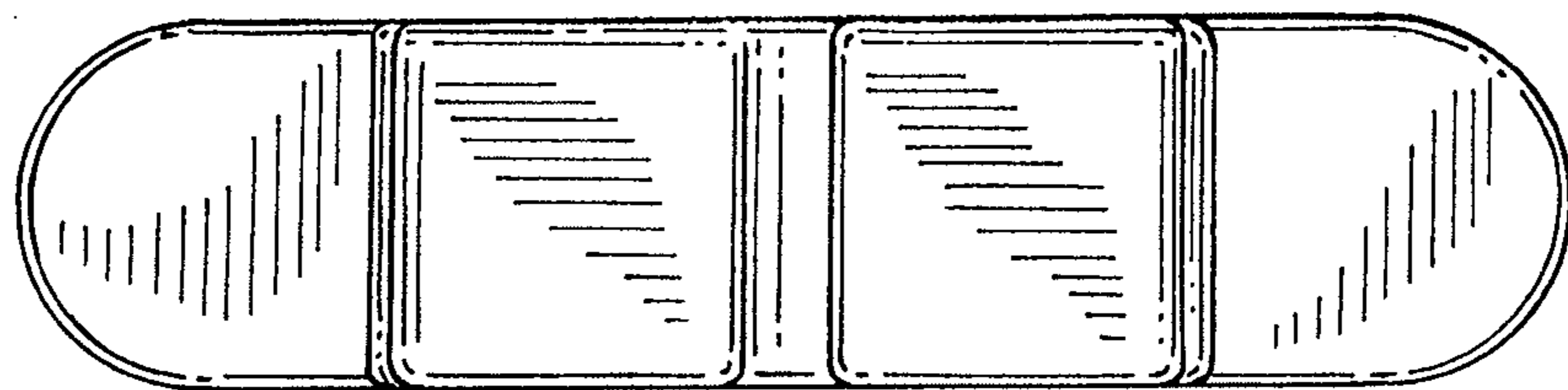
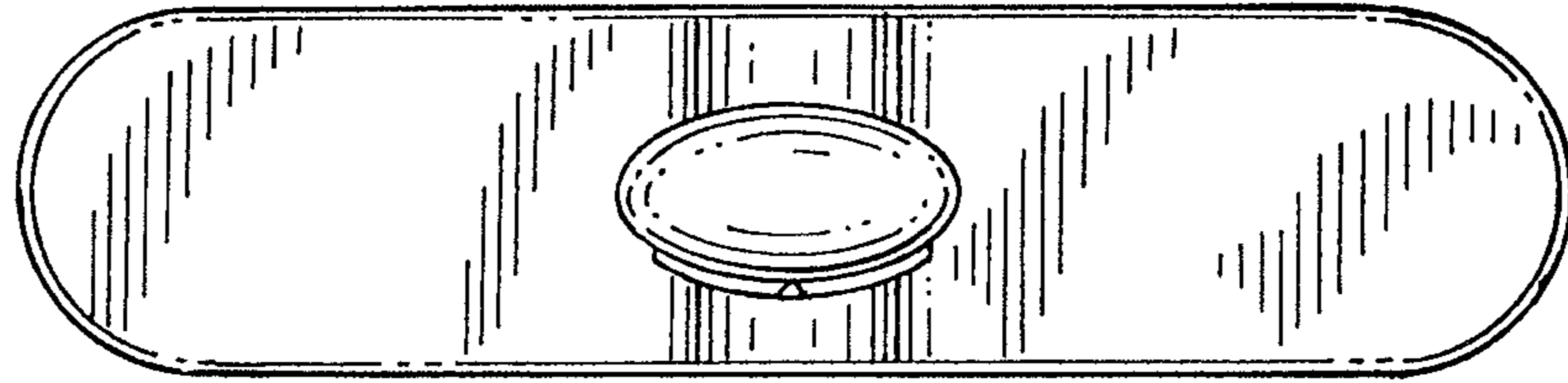


FIG. 6

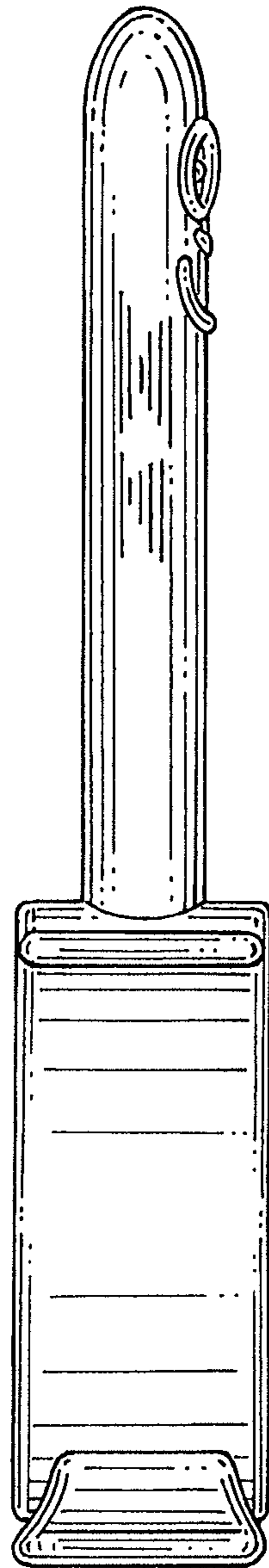


FIG. 4

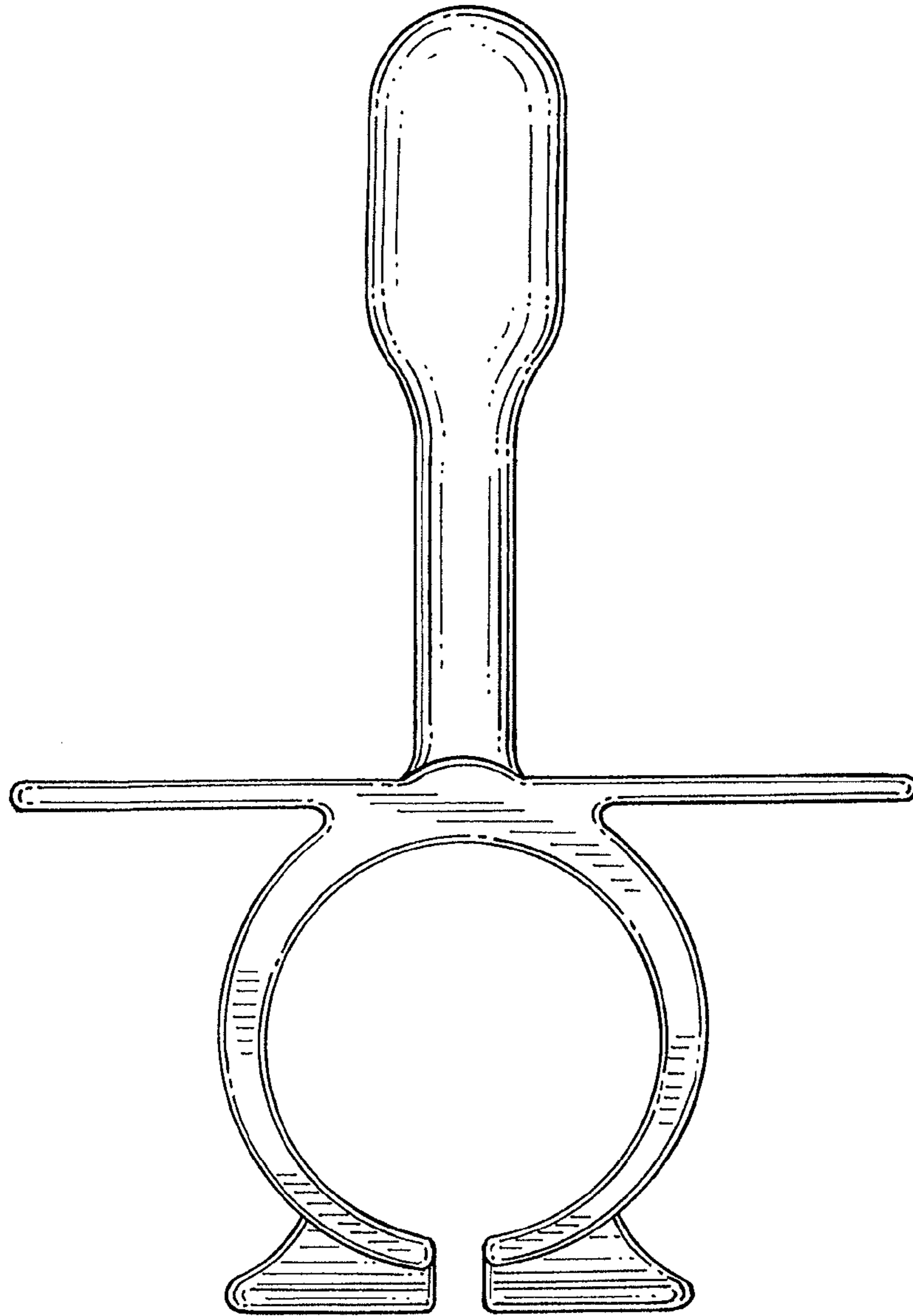


FIG. 5

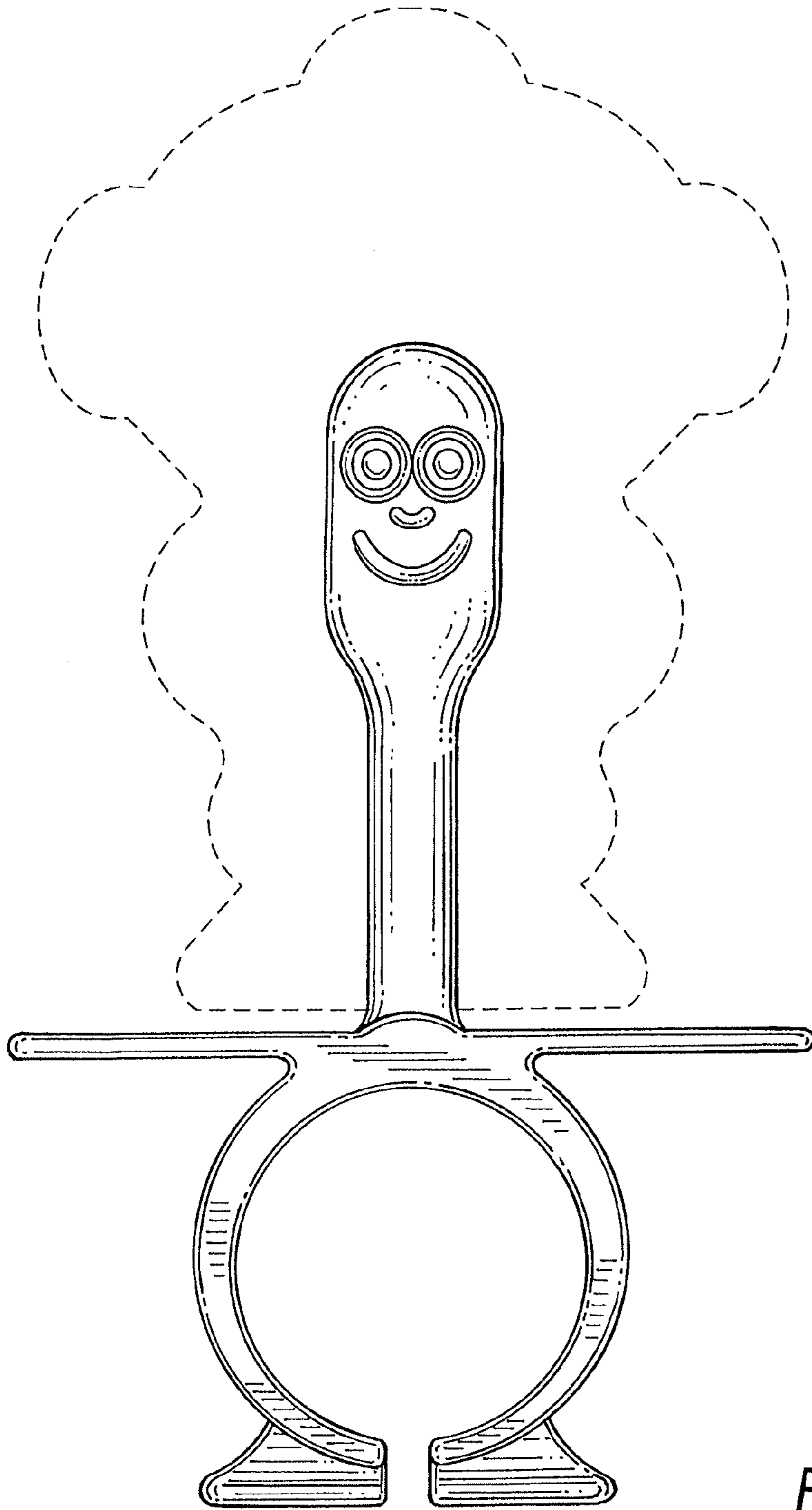


FIG. 7