



US00D713469S

(12) **United States Design Patent**
Uhren et al.

(10) **Patent No.:** **US D713,469 S**
(45) **Date of Patent:** **** Sep. 16, 2014**

- (54) **SOLITAIRE GAME DISPLAY**
- (71) Applicant: **Solitairus Inc.**, Gananoque (CA)
- (72) Inventors: **Cameron M. Uhren**, Gananoque (CA);
K. C. Flynn, Kitchener (CA); **Leonard Parente**, Burlington (CA)
- (73) Assignee: **Solitairus Inc.**, Gananoque, Ontario (CA)
- (**) Term: **14 Years**
- (21) Appl. No.: **29/466,360**
- (22) Filed: **Sep. 6, 2013**
- (51) **LOC (10) Cl.** **21-03**
- (52) **U.S. Cl.**
USPC **D21/369**; D21/385
- (58) **Field of Classification Search**
USPC D21/369, 371-373, 385; 273/146, 274,
273/288-291; 463/17, 20, 46-47, 16;
434/128; D14/305-306, 485-488
See application file for complete search history.

- D594,912 S * 6/2009 Hall et al. D21/385
- D637,238 S * 5/2011 O'Keene et al. D21/370
- 7,980,942 B2 * 7/2011 Kane 463/20
- D646,337 S * 10/2011 Kelly et al. D21/370
- 8,602,860 B2 * 12/2013 Verardi et al. 463/16

* cited by examiner

Primary Examiner — Sandra Morris

(57) **CLAIM**
We claim the ornamental design for a solitaire game display, as shown and described.

DESCRIPTION

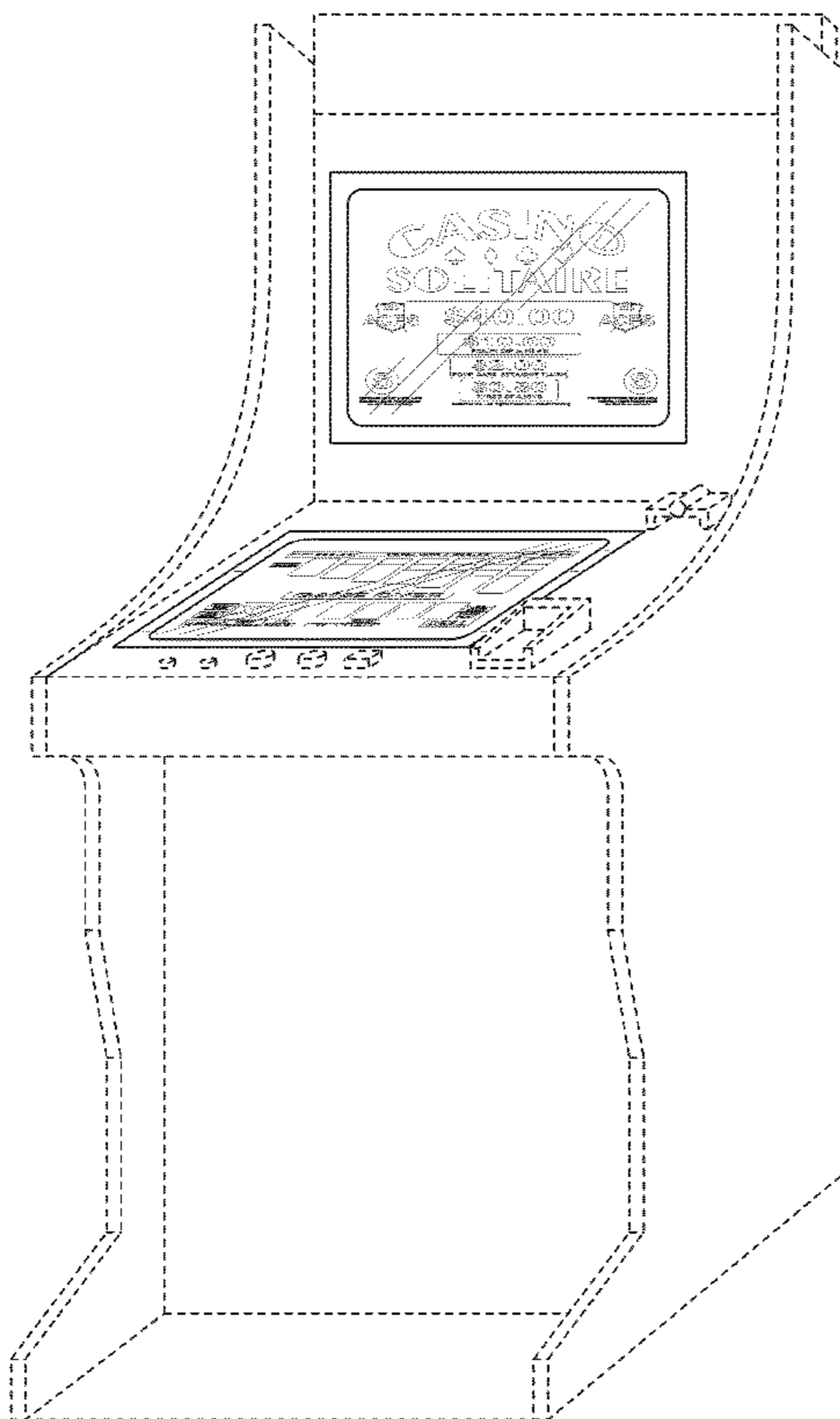
FIG. 1 is a front perspective view of gaming device showing a first embodiment of our new design for a solitaire game display, featuring the top, front and right sides thereof; FIG. 2 is a front elevational view thereof; FIG. 3 is a rear elevational view thereof; FIG. 4 is a left side elevational view thereof; FIG. 5 is a right side elevational view thereof; FIG. 6 is a top elevational view thereof; FIG. 7 is a bottom elevational view thereof; FIG. 8 is a partial front elevational view of the gaming device depicting the first embodiment our new design; and, FIG. 9 is a partial top elevational view of the gaming device depicting the first embodiment of our design. The broken lines shown in the drawing figures illustrate an environment of the claimed design, and form no part thereof.

1 Claim, 8 Drawing Sheets

(56) **References Cited**

U.S. PATENT DOCUMENTS

- D487,434 S * 3/2004 Monson et al. D14/305
- 6,874,784 B1 * 4/2005 Promutico et al. 273/274
- D537,885 S * 3/2007 Gadda et al. D21/369



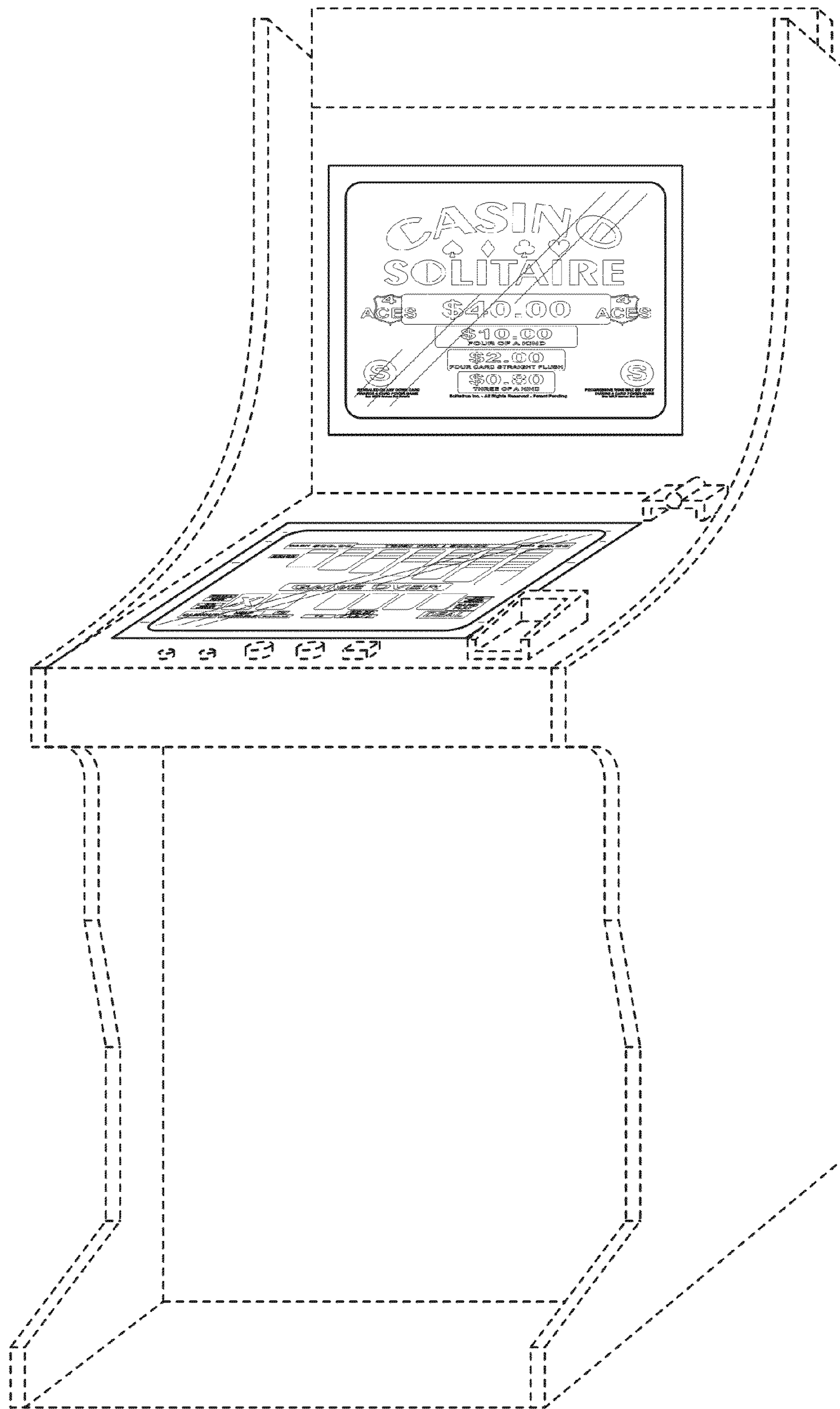


FIG. 1

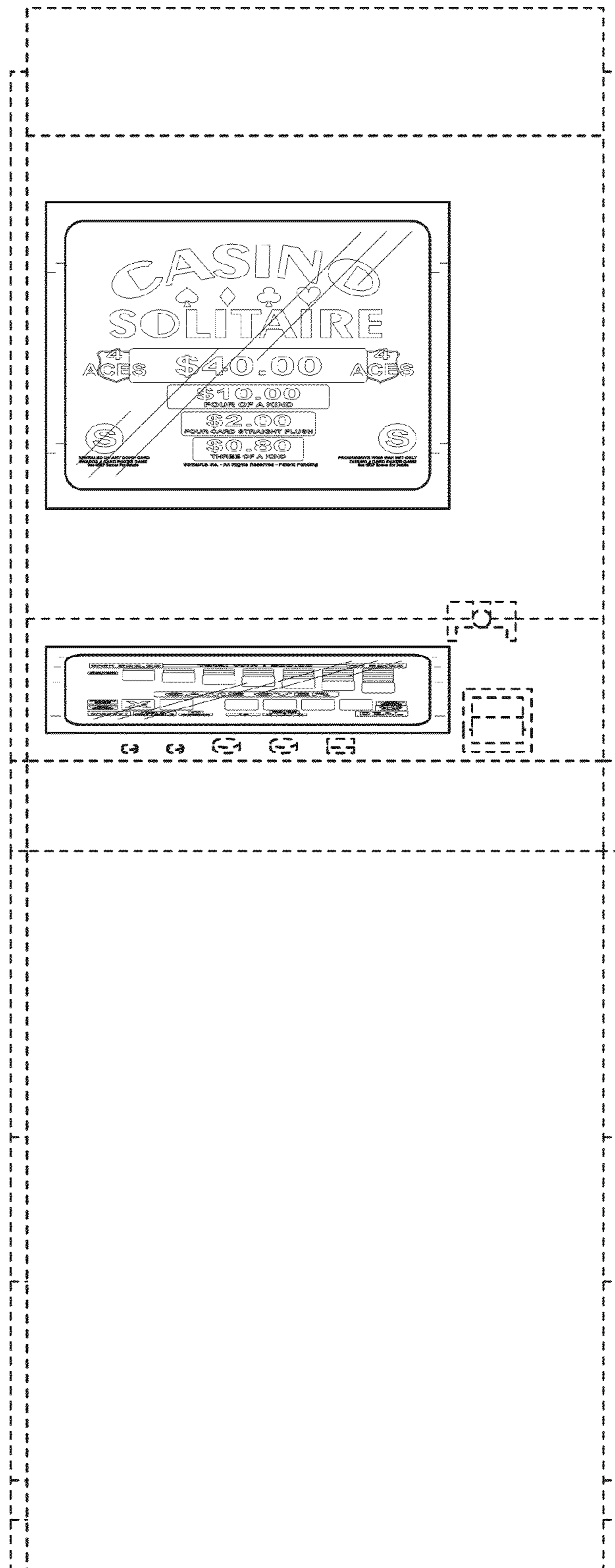


FIG. 2

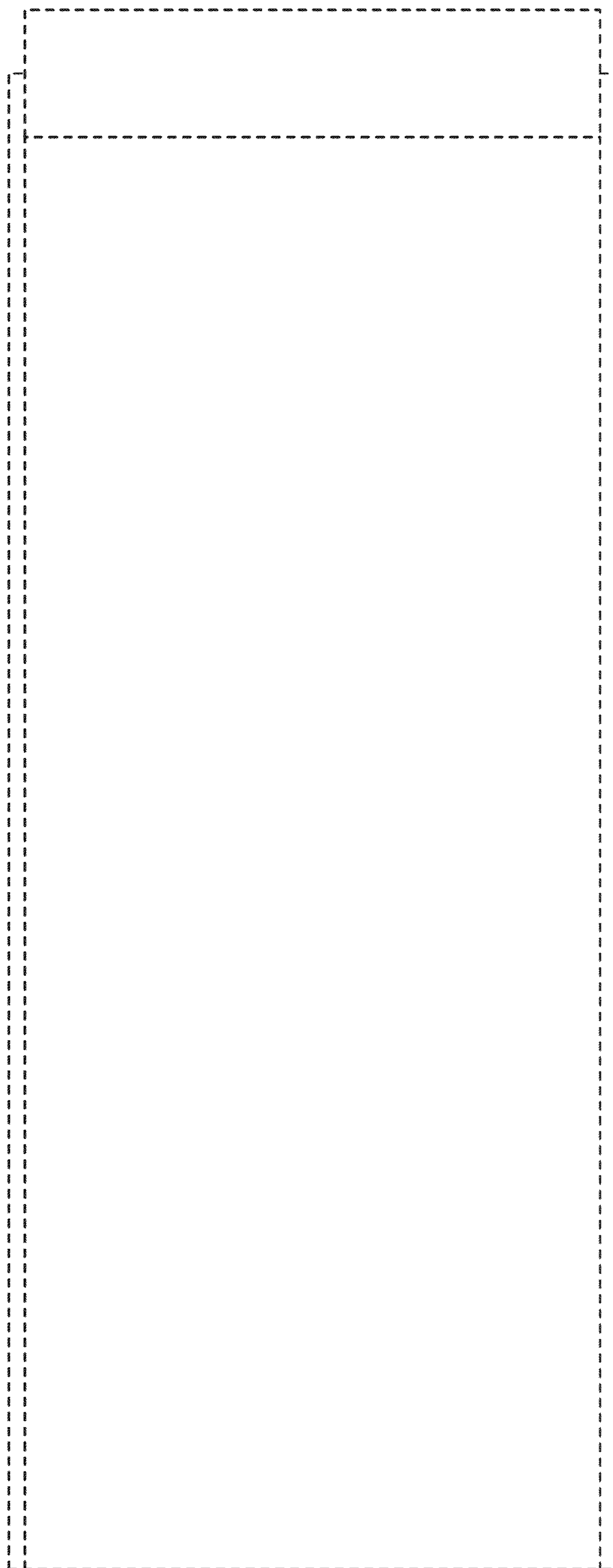


FIG. 3

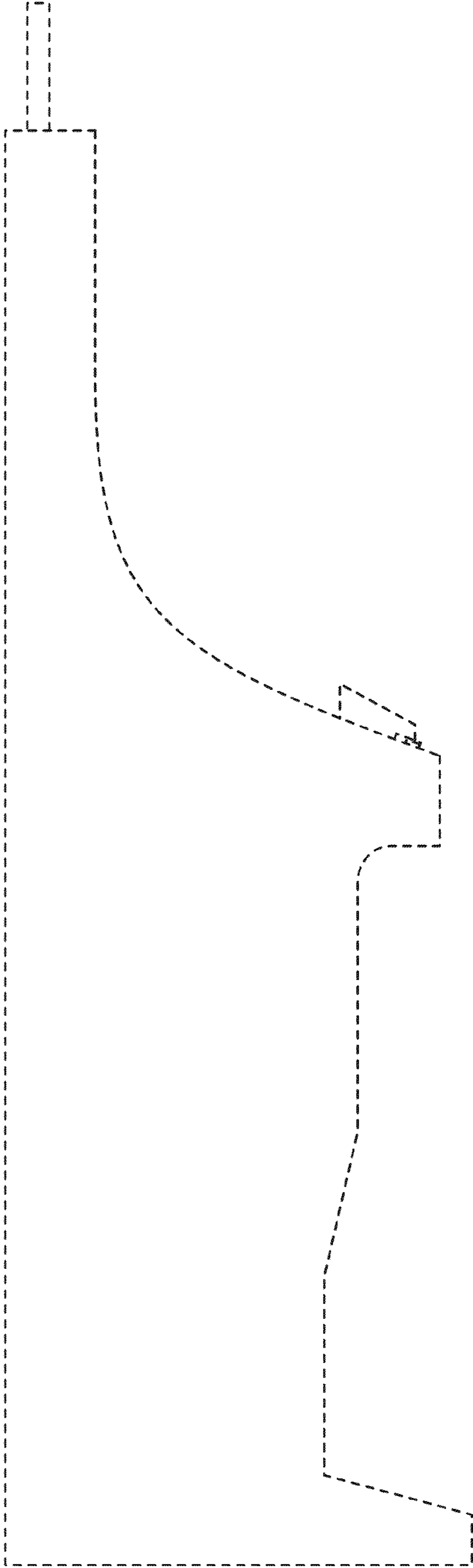


FIG. 4

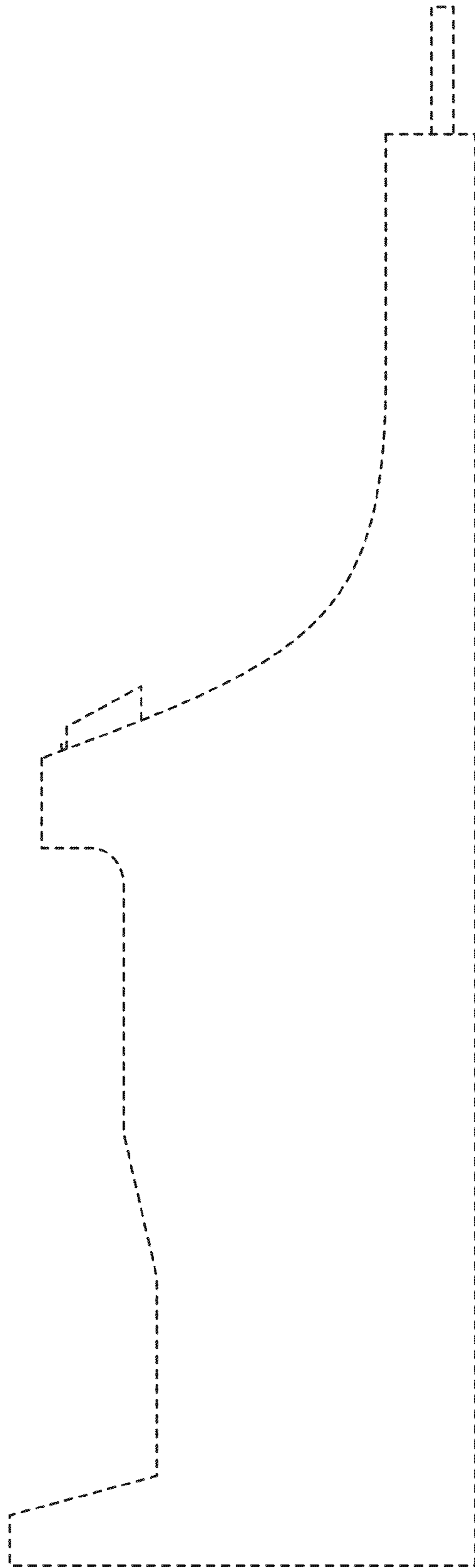


FIG. 5

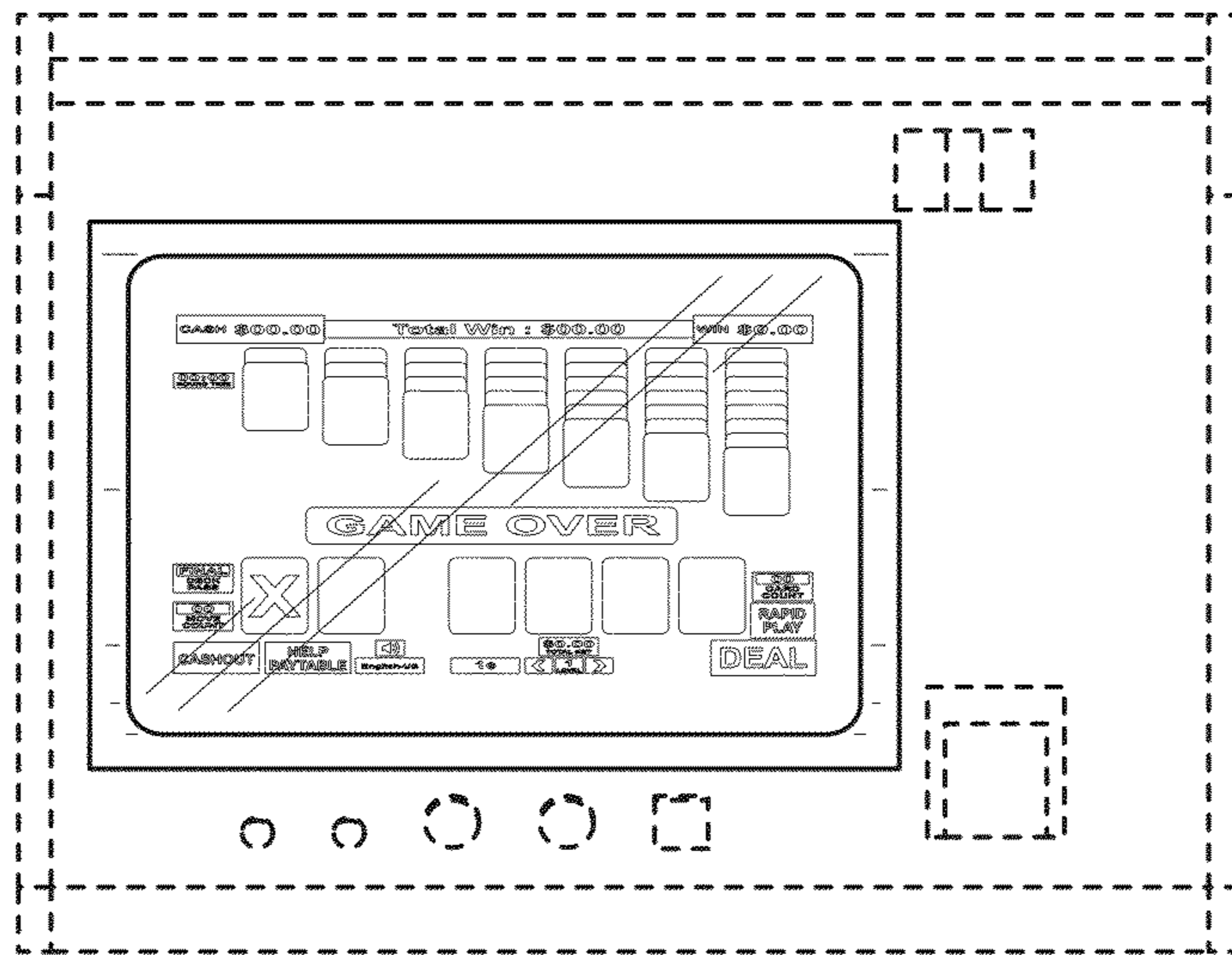


FIG. 6



FIG. 7

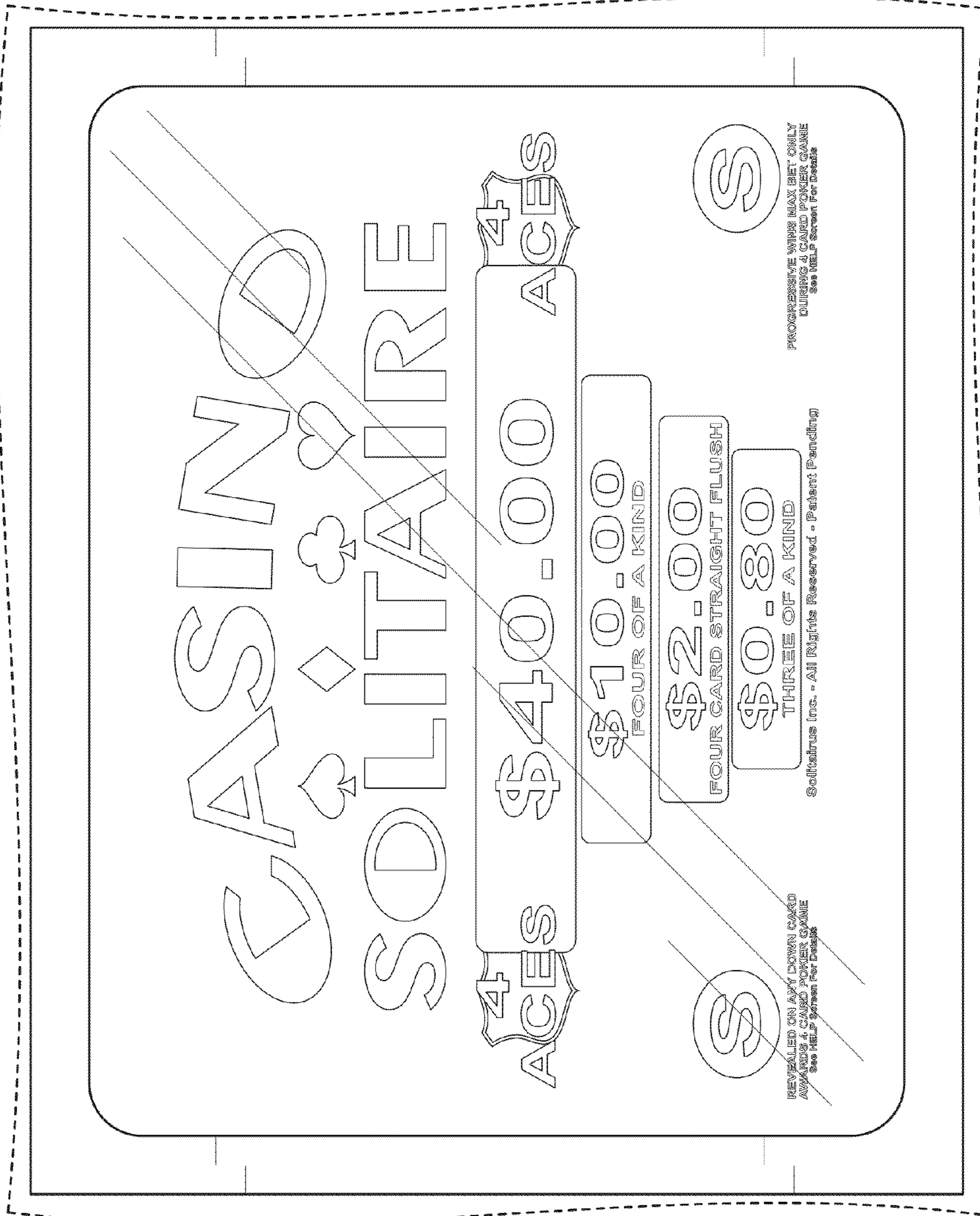


FIG. 8

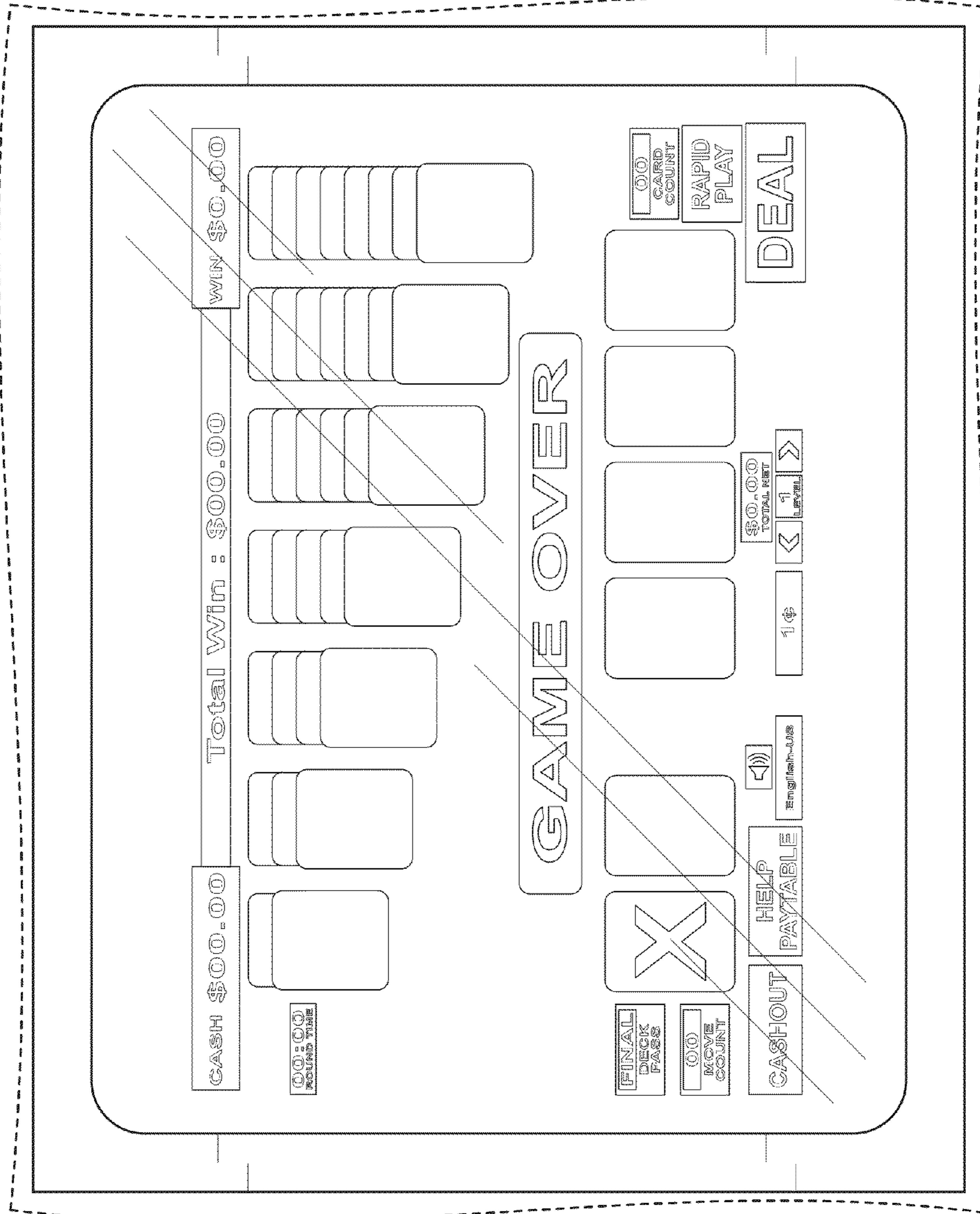


FIG. 9