



US00D713468S

(12) **United States Design Patent**  
**Sawhney et al.**

(10) **Patent No.:** **US D713,468 S**  
(45) **Date of Patent:** **\*\* Sep. 16, 2014**

(54) **GAME CONTROLLER**

(75) Inventors: **Ravi Sawhney**, Thousand Oaks, CA (US); **Lance G. Hussey**, Thousand Oaks, CA (US); **Noureddine Dia Malaeb**, Thousand Oaks, CA (US); **Young A. Bang**, Thousand Oaks, CA (US); **Byron C. Lee**, Thousand Oaks, CA (US)

(73) Assignee: **Wikipad, Inc.**, Los Angeles, CA (US)

(\*\*) Term: **14 Years**

(21) Appl. No.: **29/428,147**

(22) Filed: **Jul. 26, 2012**

(51) **LOC (10) Cl.** ..... **21-01**

(52) **U.S. Cl.**  
USPC ..... **D21/333**; D21/324

(58) **Field of Classification Search**  
USPC ..... D21/324-333; D14/341-346, 356, 432, D14/496, 507, 399-401; 273/148 B; 463/1, 463/29-47; 345/156-161, 168, 169, 172; 341/22, 23

See application file for complete search history.

(56) **References Cited**

**U.S. PATENT DOCUMENTS**

4,969,647 A \* 11/1990 Mical et al. .... 463/31  
5,785,317 A \* 7/1998 Sasaki ..... 273/148 B  
6,418,424 B1 7/2002 Hoffberg et al.  
D475,710 S \* 6/2003 Sheehan et al. .... D14/401

D492,294 S \* 6/2004 Kim ..... D14/240  
D500,319 S \* 12/2004 Wada ..... D14/401  
D529,493 S \* 10/2006 Ogasawara ..... D14/356  
7,193,165 B2 \* 3/2007 Kawanobe et al. .... 200/5 R  
D568,884 S \* 5/2008 Kawanobe et al. .... D14/401  
7,974,714 B2 7/2011 Hoffberg  
8,031,060 B2 10/2011 Hoffberg  
D656,554 S \* 3/2012 Mar ..... D21/329  
8,165,916 B2 4/2012 Hoffberg et al.  
8,188,842 B2 \* 5/2012 Otsuka et al. .... 340/12.22  
8,208,850 B2 6/2012 Jung et al.  
D664,601 S \* 7/2012 Sogabe ..... D21/329  
8,219,028 B1 7/2012 Flamholz  
8,226,474 B2 7/2012 Nguyen et al.

\* cited by examiner

*Primary Examiner* — Prabhakar Deshmukh

(74) *Attorney, Agent, or Firm* — Hall Estill Attorneys at Law; Daniel P. Dooley

(57) **CLAIM**

We claim the ornamental design for a game controller, as shown and described.

**DESCRIPTION**

FIG. 1 is a top plan view of a game controller showing our new design;

FIG. 2 is a bottom plan view thereof;

FIG. 3 is a left side elevation view thereof;

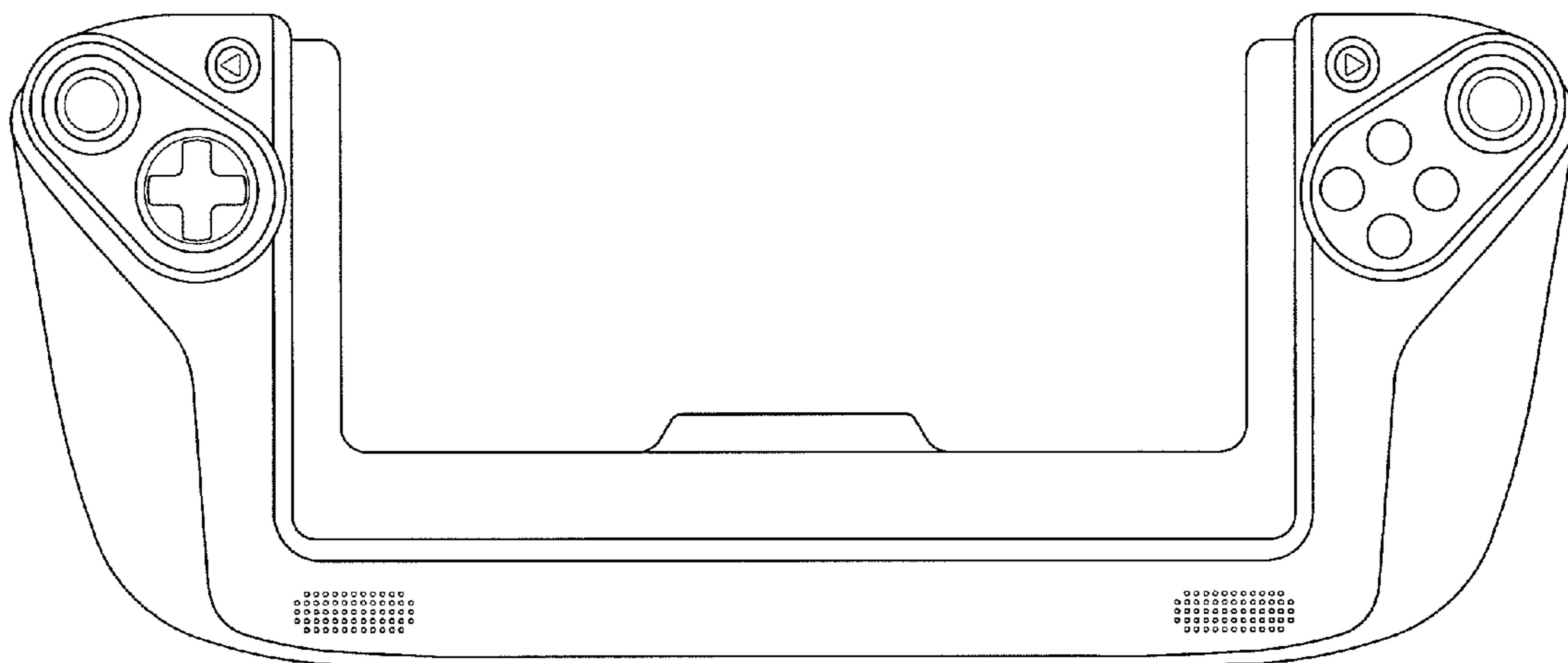
FIG. 4 is a right side elevation view thereof;

FIG. 5 is a front elevation view thereof;

FIG. 6 is a rear elevation view thereof; and,

FIG. 7 is a perspective view thereof.

**1 Claim, 6 Drawing Sheets**



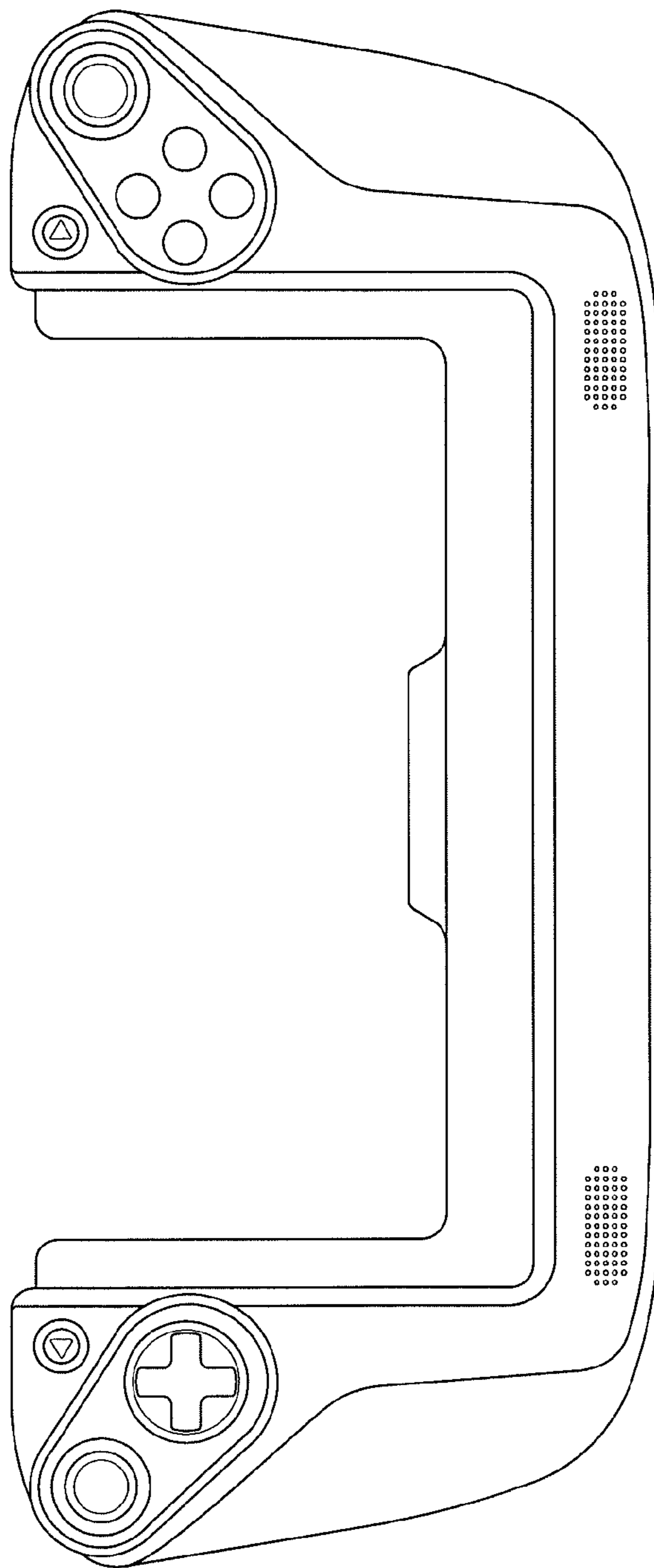


FIG. 1

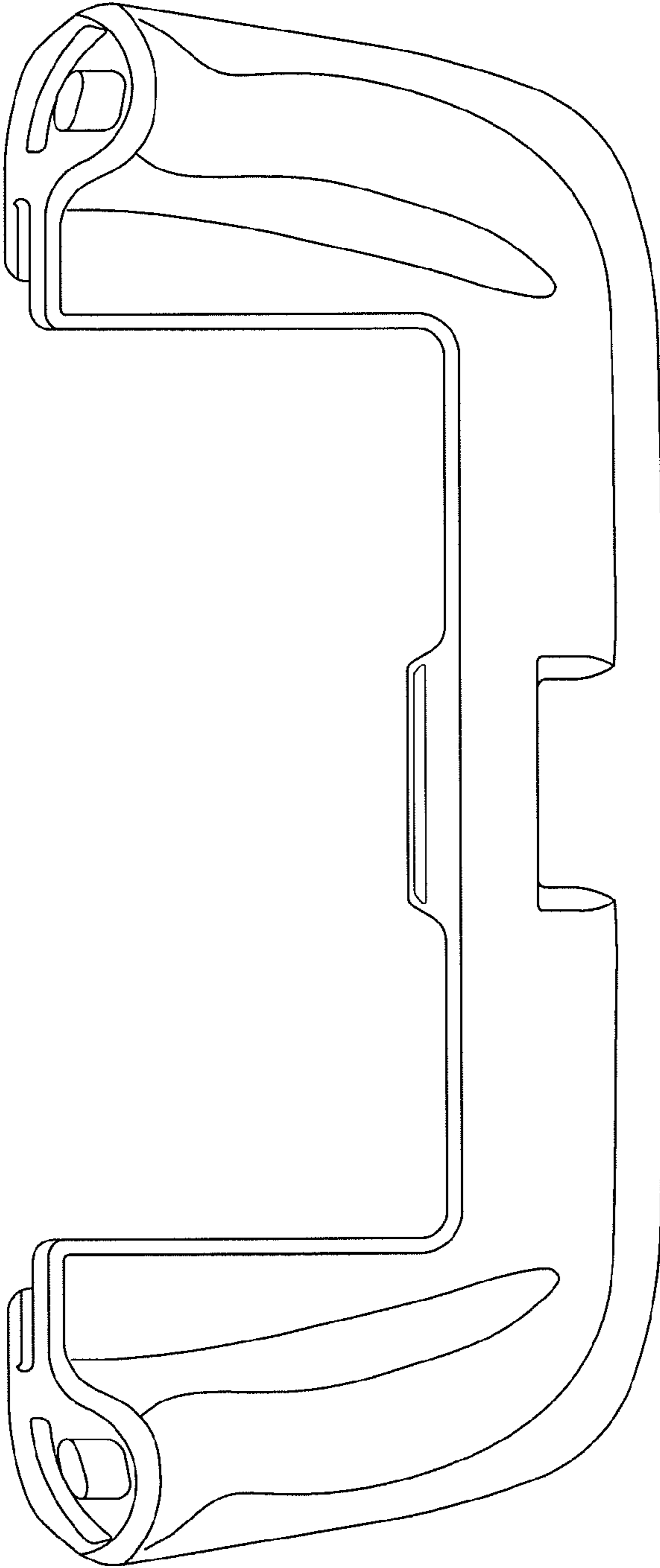


FIG. 2

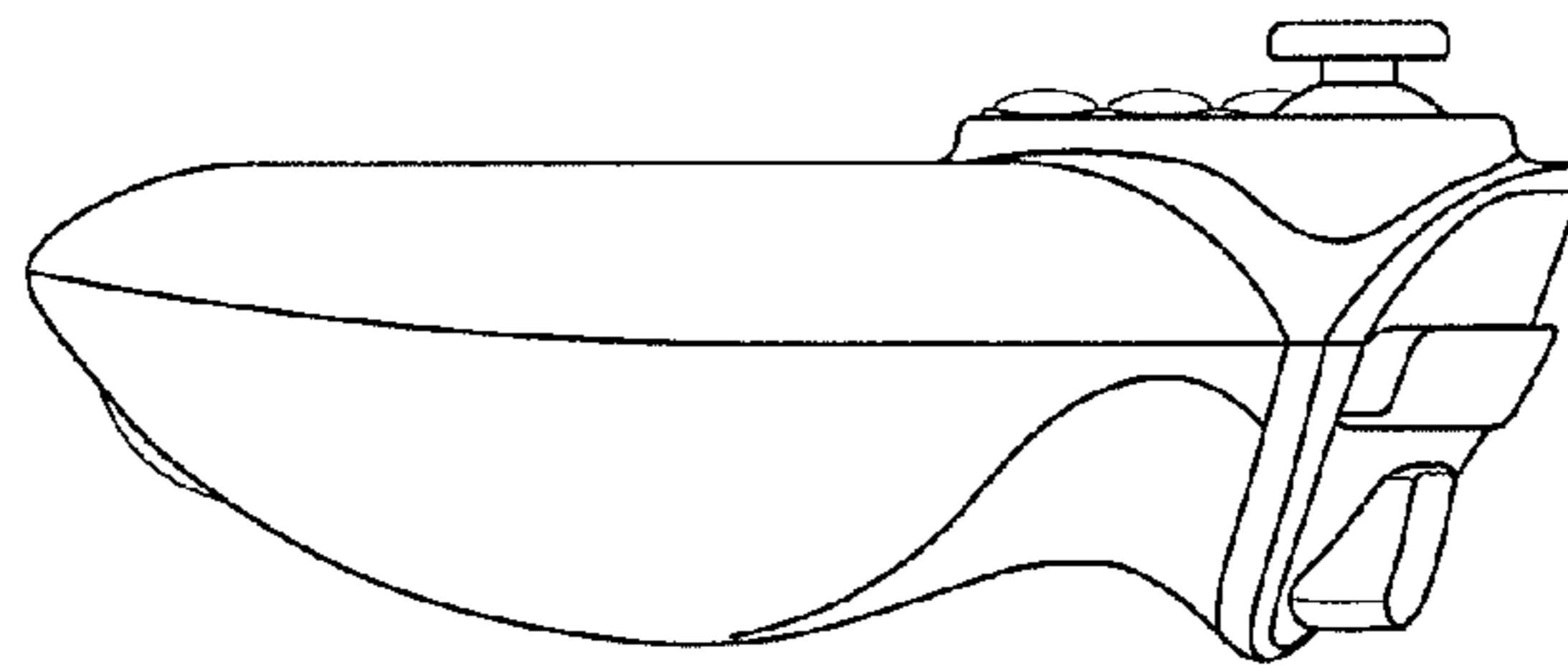


FIG. 3

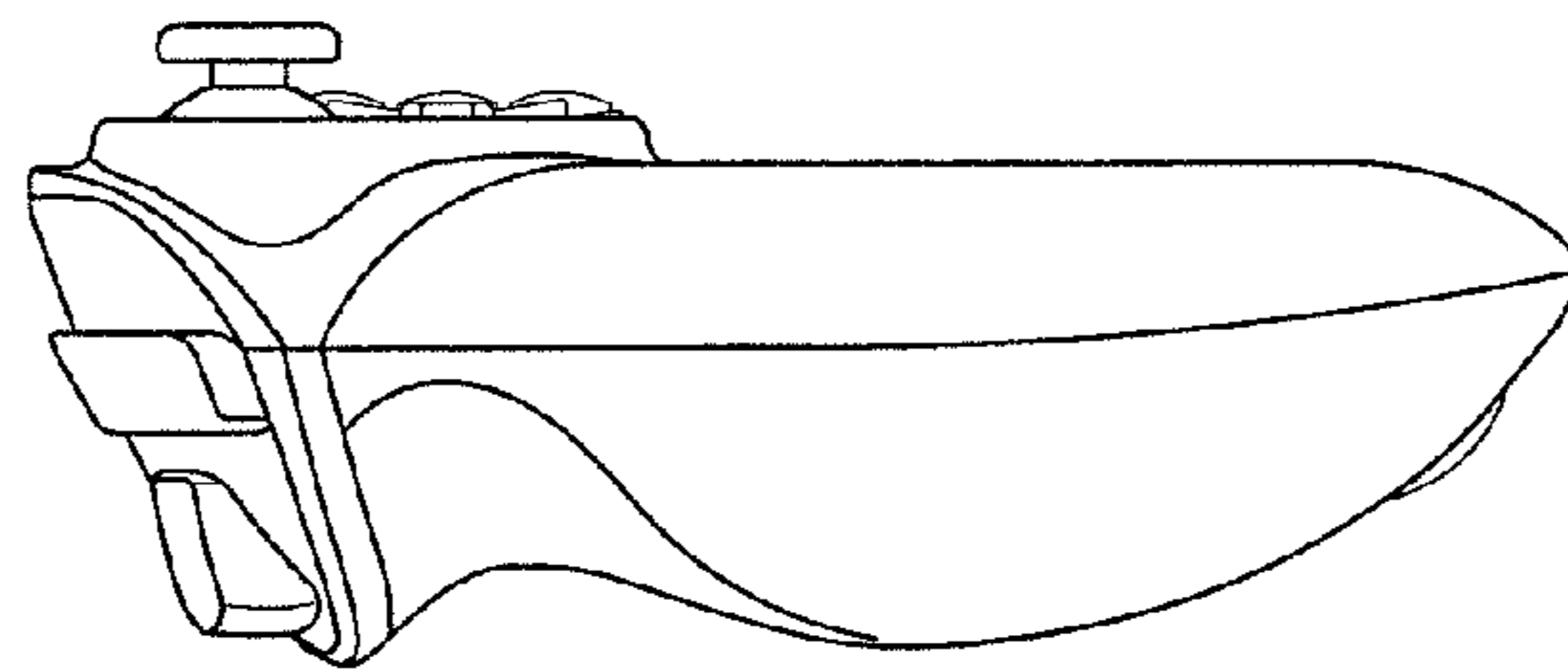


FIG. 4

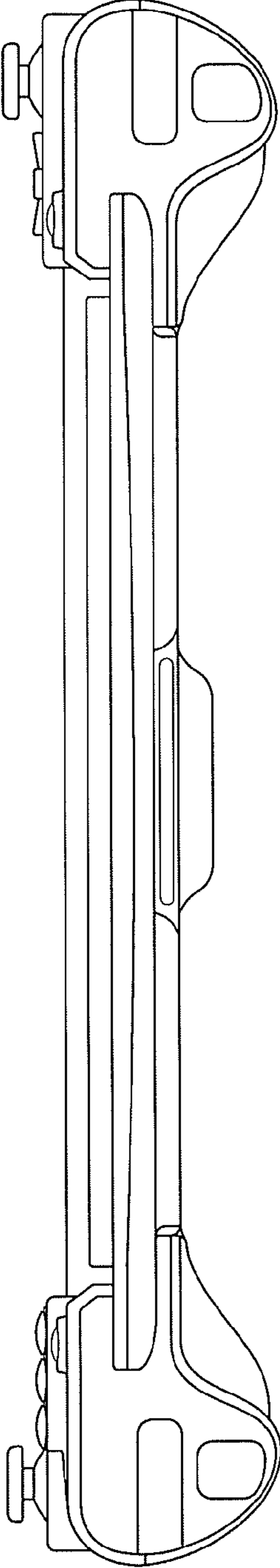


FIG. 5

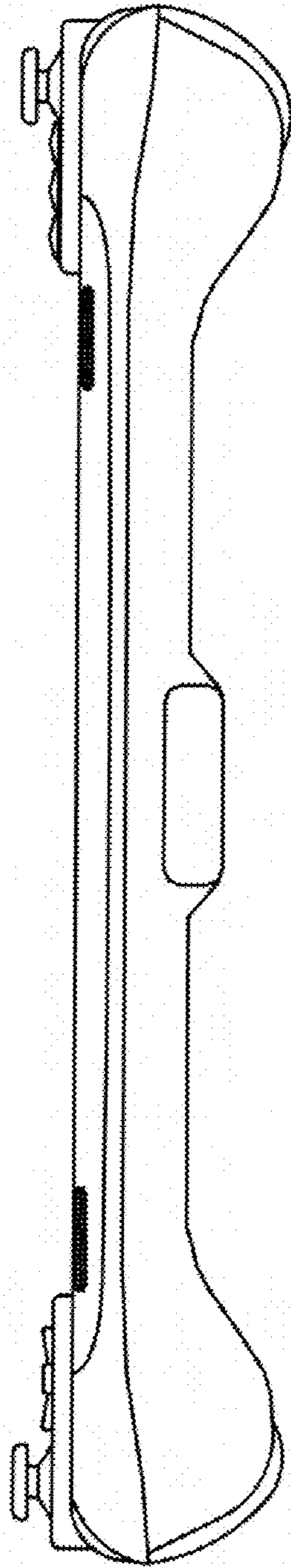


FIG. 6



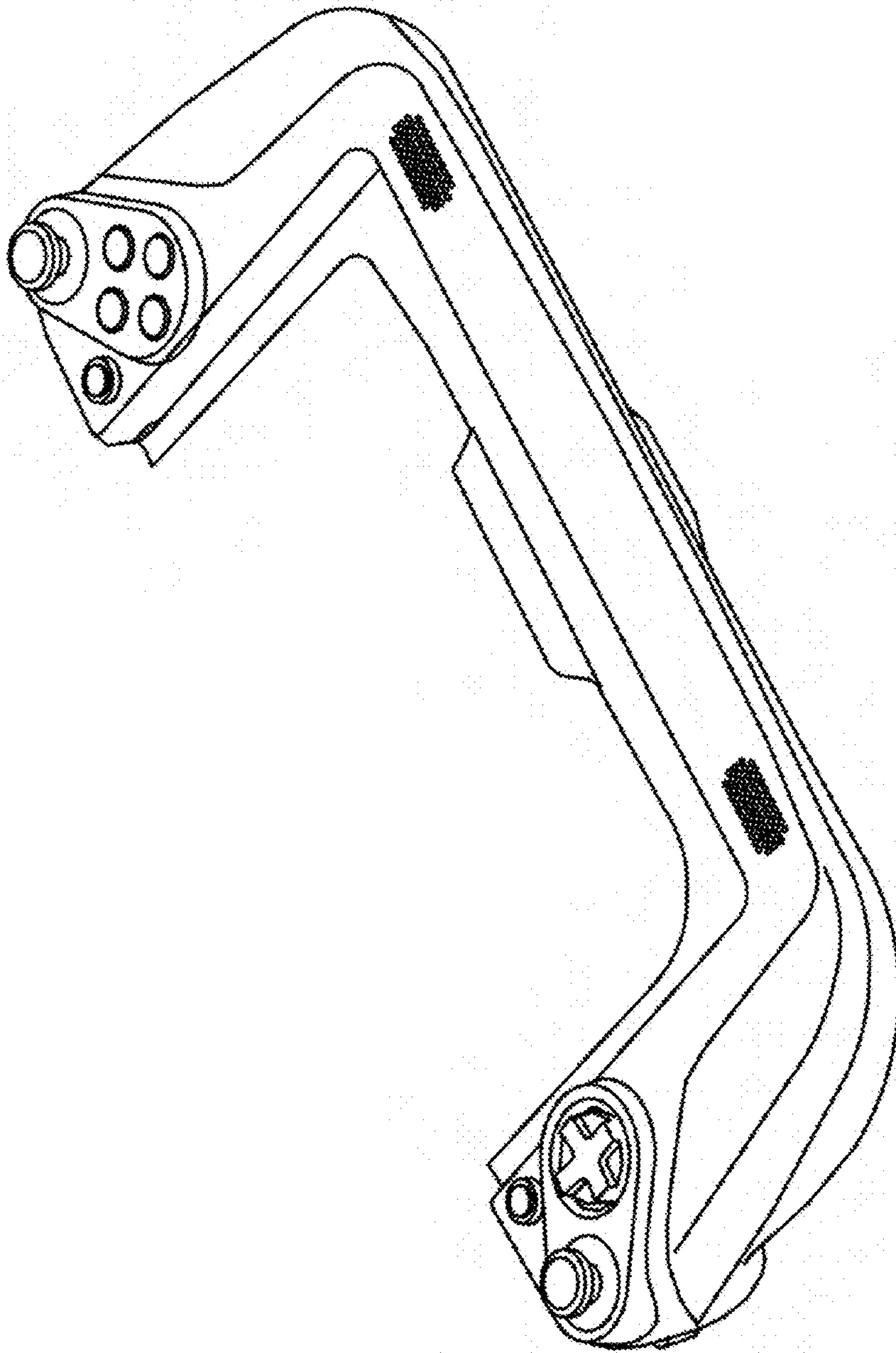


FIG. 7