



US00D713463S

(12) **United States Design Patent**  
**Dougherty et al.**

(10) **Patent No.:** **US D713,463 S**  
(45) **Date of Patent:** **\*\* Sep. 16, 2014**

- (54) **SIGN SUPPORT BRACKET**
- (71) Applicant: **Target Brands, Inc.**, Minneapolis, MN (US)
- (72) Inventors: **Kristin A. Dougherty**, Chaska, MN (US); **David Cheney**, New Brighton, MN (US)
- (73) Assignee: **Target Brands, Inc.**, Minneapolis, MN (US)
- (\*\*) Term: **14 Years**

D491,054 S	6/2004	Caterinacci, Jr.	
D556,016 S	11/2007	Curtas	
D557,429 S *	12/2007	Bullock, Jr. ....	D25/119
D558,040 S *	12/2007	Skinner .....	D8/382
7,784,208 B2 *	8/2010	Thompson .....	40/599
D624,805 S	10/2010	Clarke	
D640,122 S	6/2011	Stearns et al.	
D666,478 S	9/2012	Chou	
D667,718 S	9/2012	Preda	
D673,223 S *	12/2012	White .....	D20/43
D691,460 S	10/2013	Stanic et al.	
D706,608 S *	6/2014	Offermann .....	D8/354
2008/0000124 A1 *	1/2008	Hecht et al. ....	40/649
2008/0307687 A1 *	12/2008	Nagel et al. ....	40/642.02
2013/0263486 A1	10/2013	Logan et al.	

\* cited by examiner

- (21) Appl. No.: **29/486,529**
- (22) Filed: **Mar. 31, 2014**
- (51) **LOC (10) Cl.** ..... **20-03**
- (52) **U.S. Cl.**  
USPC ..... **D20/43**
- (58) **Field of Classification Search**  
CPC ..... G09F 3/08; G09F 3/16; G09F 3/18;  
G09F 3/20; G09F 3/201; G09F 3/202; G09F  
3/203; G09F 3/204; G09F 7/00; G09F 7/02;  
G09F 7/04; G09F 7/08; G09F 7/18; G09F  
7/20; G09F 7/22; G09F 21/00; G09F 21/02;  
G09F 21/04; G09F 21/048; G09F 23/00;  
G09F 19/22  
USPC ..... D20/10, 19, 42-44, 99; 40/599, 642.02,  
40/643, 644, 647, 649, 651-655, 658, 661,  
40/661.01, 661.03, 661.05-661.09,  
40/661.11, 662, 666, 667; D8/349, 351,  
D8/373; D25/119  
See application file for complete search history.

*Primary Examiner* — Mary Ann Calabrese  
(74) *Attorney, Agent, or Firm* — Griffiths & Seaton PLLC;  
JoAnn M. Seaton

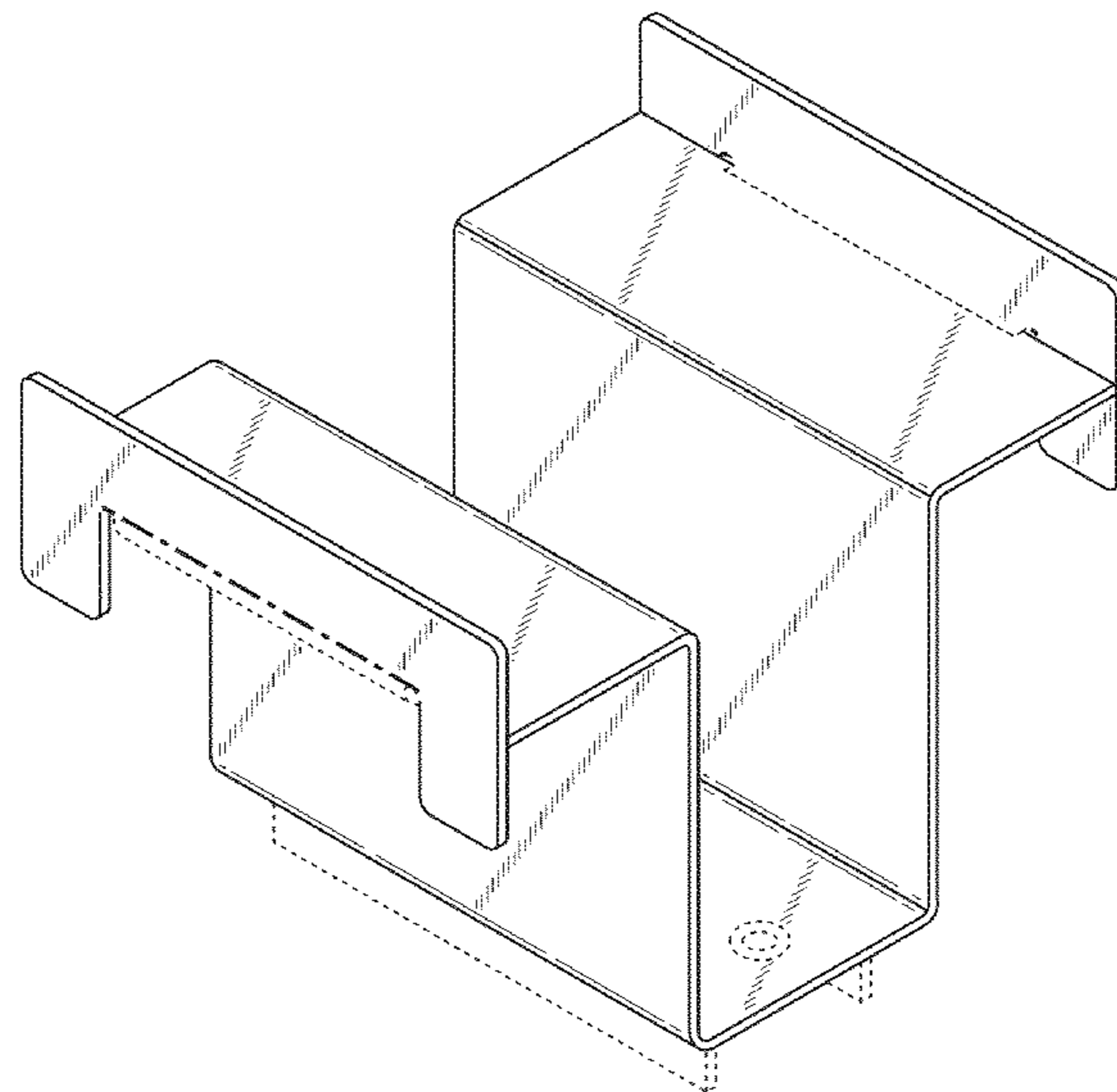
(57) **CLAIM**  
The ornamental design for a sign support bracket, as shown and described.

**DESCRIPTION**

FIG. 1 is a top, perspective view of a sign support bracket showing our new design;  
FIG. 2 is a bottom, perspective view thereof;  
FIG. 3 is a front view thereof; the rear view is a mirror image of the front view;  
FIG. 4 is a right side view thereof; the left side view is a mirror image of the right side view;  
FIG. 5 is a top view thereof; and,  
FIG. 6 is a bottom view.  
The features shown in broken lines are portions of the sign support bracket forming no part of the claimed design. The features shown in long dash-short dash bolded broken lines indicate the bounds of the claimed design and otherwise form no part of the claimed design.

- (56) **References Cited**  
U.S. PATENT DOCUMENTS  
D185,549 S \* 6/1959 Hallock ..... D25/119  
D314,911 S \* 2/1991 Spica ..... D8/373

**1 Claim, 6 Drawing Sheets**



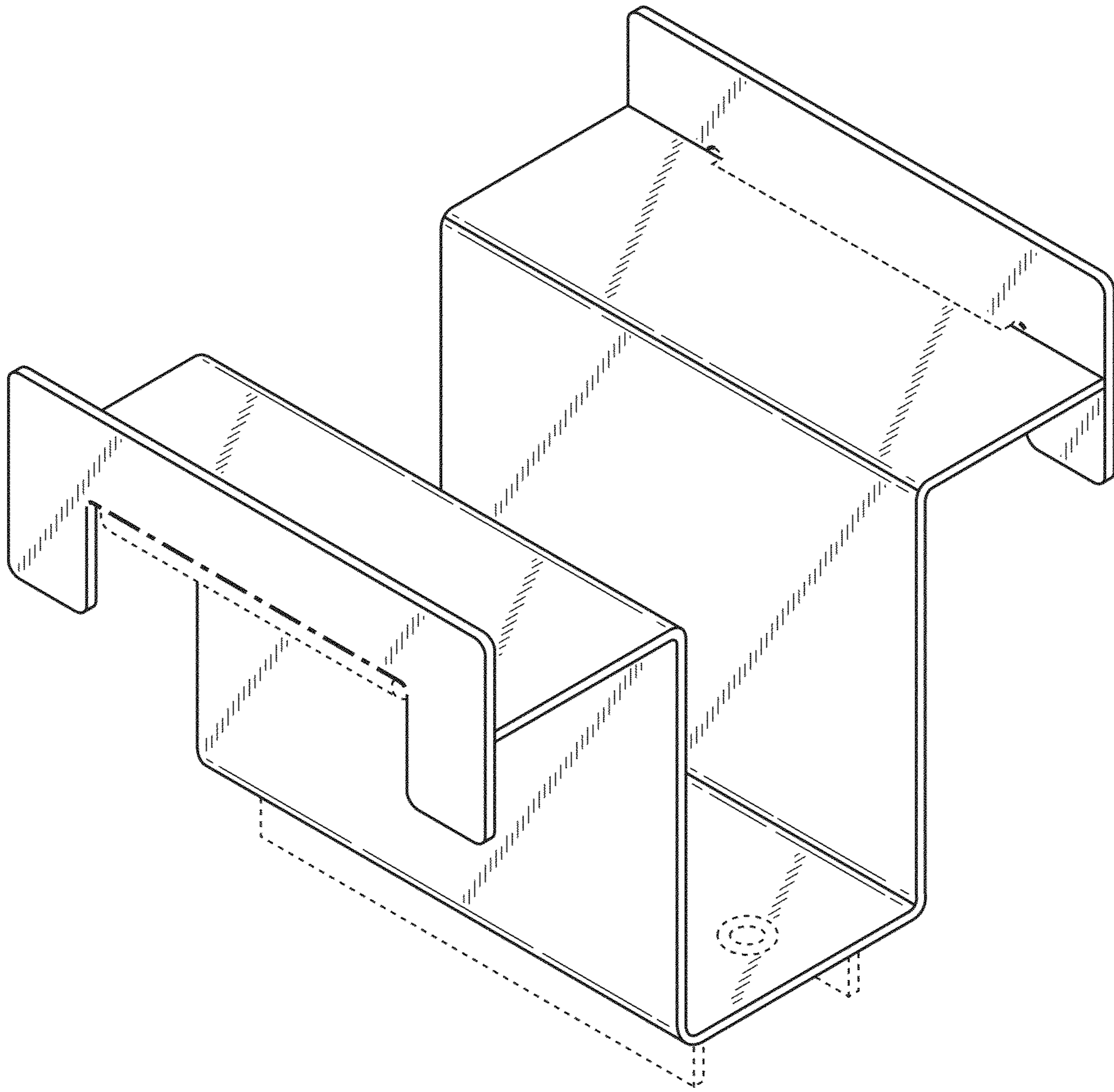


FIG. 1

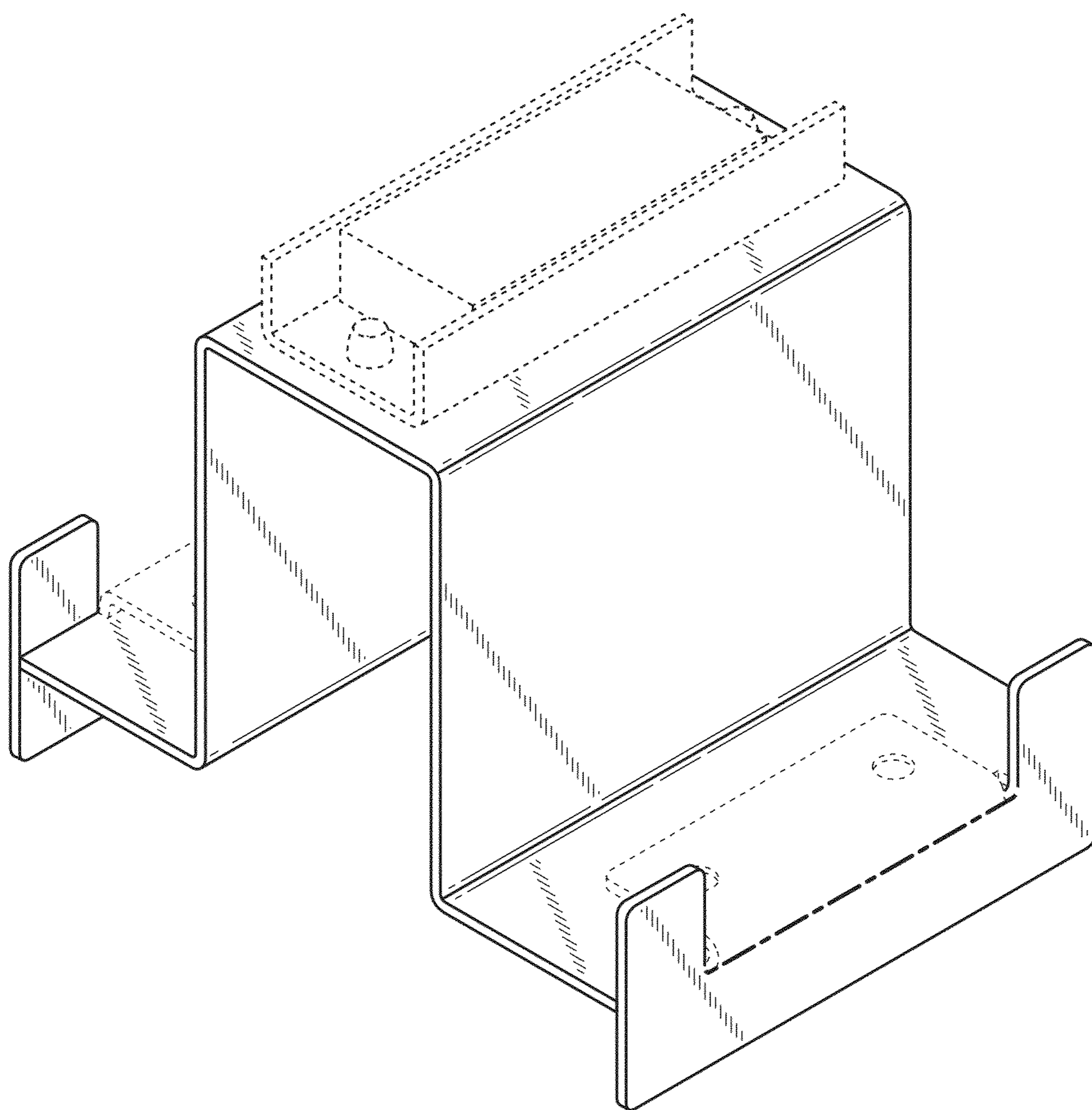


FIG. 2

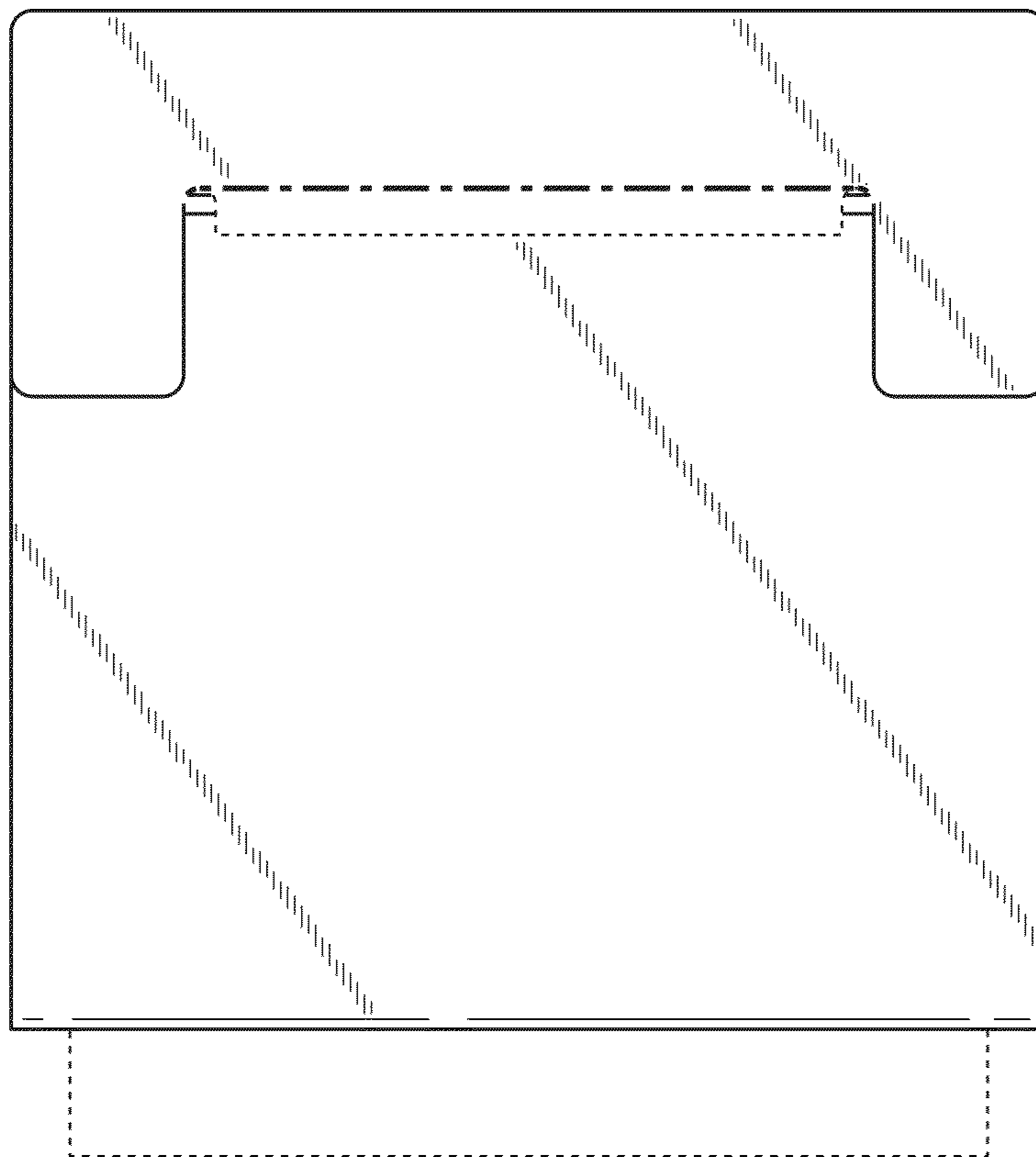


FIG. 3

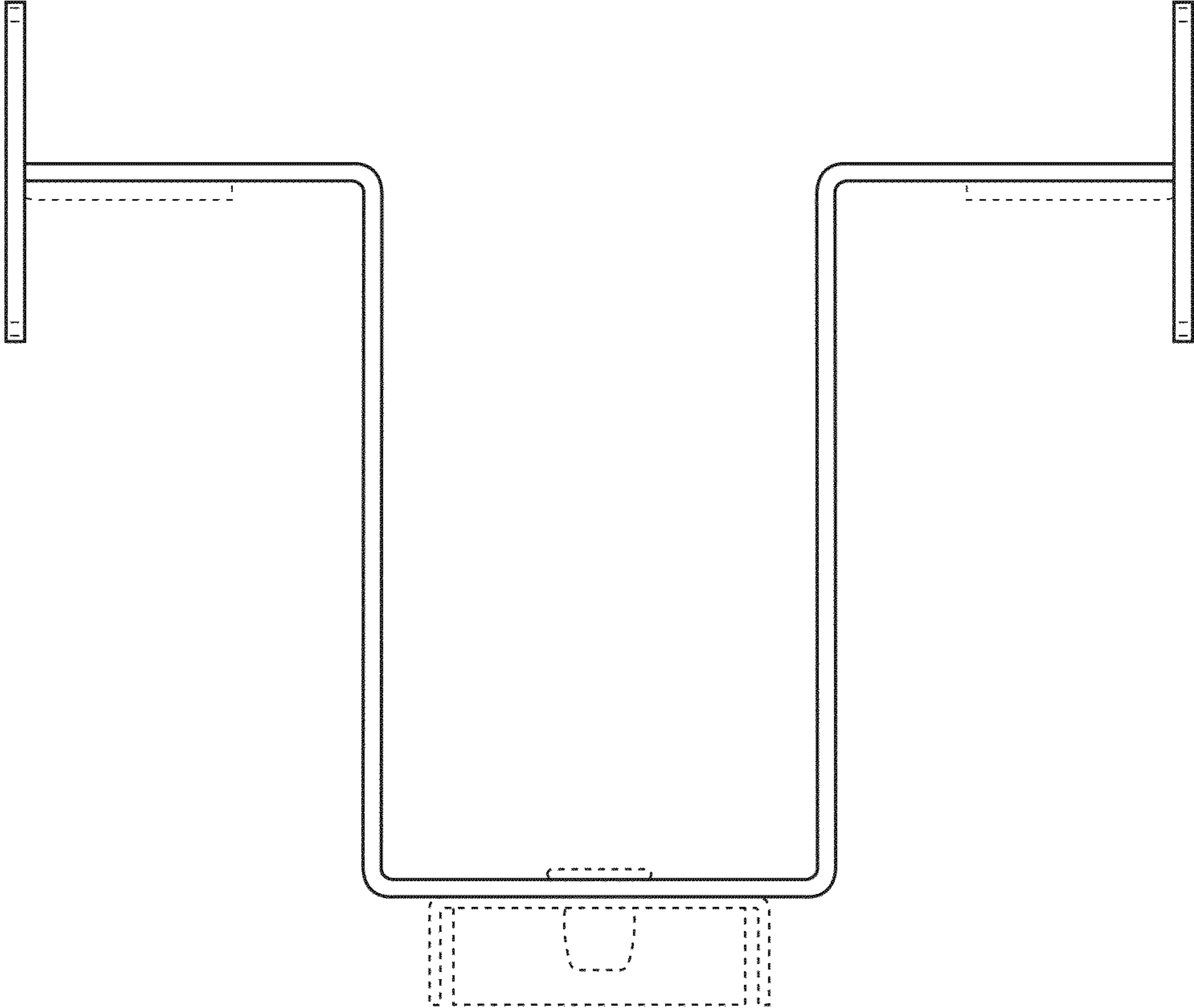


FIG. 4

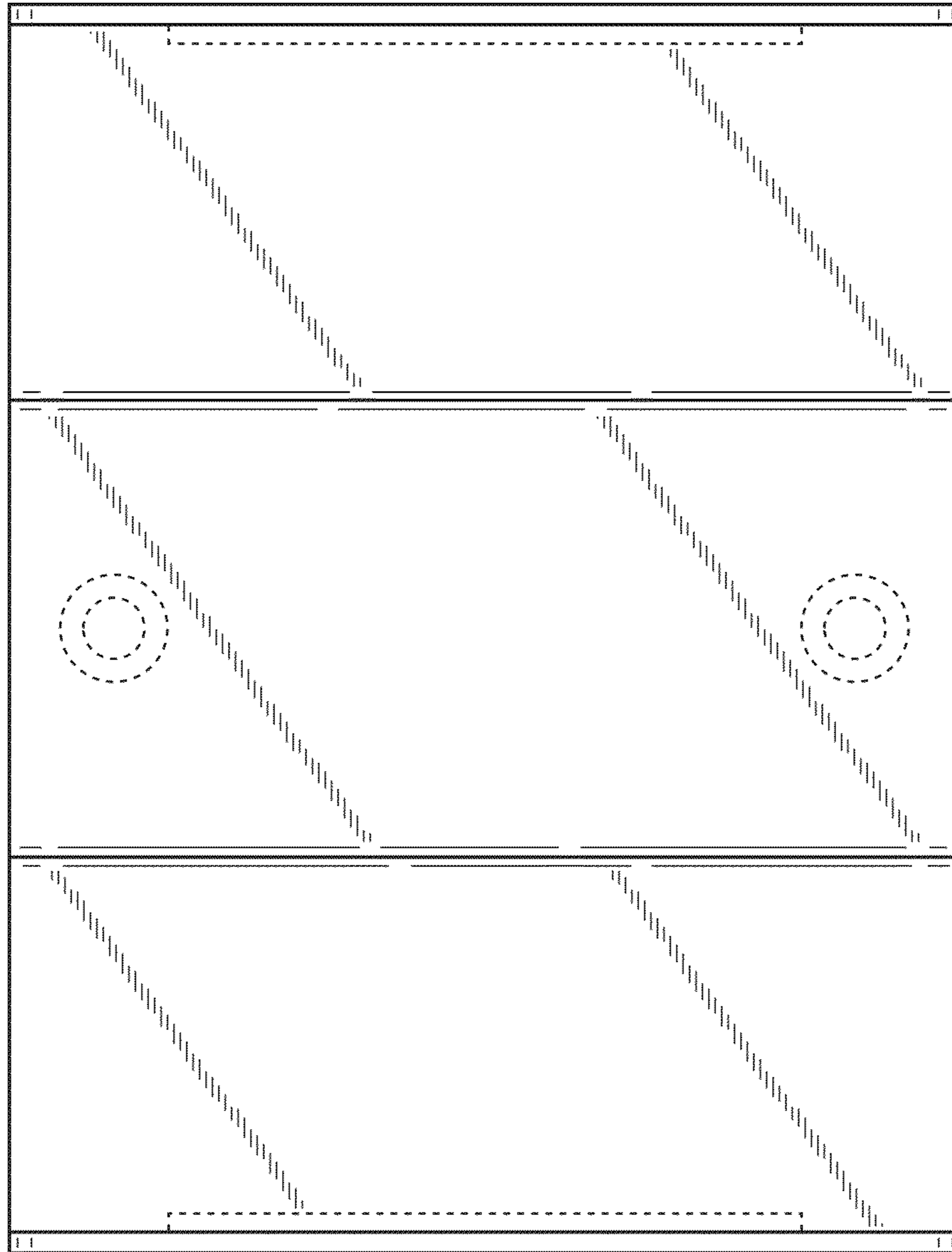


FIG. 5

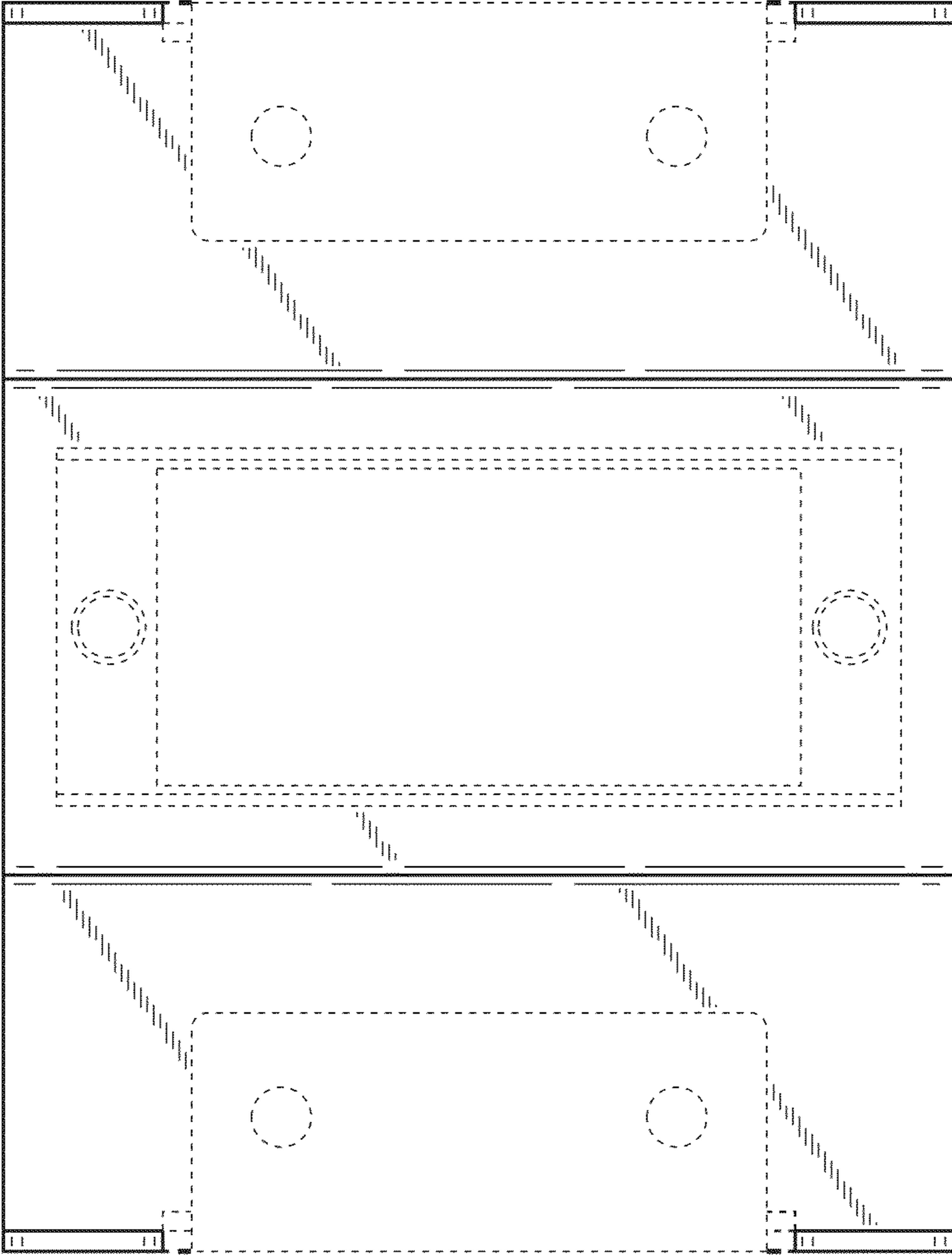


FIG. 6