



US00D713458S

(12) **United States Design Patent**  
**Mayberry**

(10) **Patent No.:** **US D713,458 S**

(45) **Date of Patent:** **\*\* Sep. 16, 2014**

(54) **PAINT CADDY**

(71) Applicant: **Ben Michael Mayberry**, Tulsa, OK  
(US)

(72) Inventor: **Ben Michael Mayberry**, Tulsa, OK  
(US)

(\*\*) Term: **14 Years**

(21) Appl. No.: **29/442,061**

(22) Filed: **Nov. 27, 2012**

(51) **LOC (10) Cl.** ..... **19-06**

(52) **U.S. Cl.**  
USPC ..... **D19/104**

(58) **Field of Classification Search**  
CPC ..... A47G 23/0625; B44D 3/12; B44D 3/02  
USPC ..... D3/304, 307, 310, 313, 315, 901;  
D7/586, 391; D9/454; D19/104;  
D32/54; 206/1.7, 1.8, 1.9  
See application file for complete search history.

(56) **References Cited**

**U.S. PATENT DOCUMENTS**

3,650,380 A \* 3/1972 Hutchison ..... 206/1.8  
D350,843 S \* 9/1994 VanValkenburg et al. .... D7/614

5,484,637 A \* 1/1996 Paragon et al. .... 428/66.6  
D417,584 S \* 12/1999 Lillelund et al. .... D7/392.1  
D564,877 S \* 3/2008 Hood et al. .... D9/454  
7,717,483 B1 \* 5/2010 Bombara ..... 294/172  
D632,959 S \* 2/2011 Peters ..... D9/454  
D660,651 S \* 5/2012 Peters ..... D7/587  
D674,657 S \* 1/2013 Fields et al. .... D7/376  
D683,593 S \* 6/2013 Pilgaard ..... D7/553.6  
2006/0032780 A1 \* 2/2006 Heyn ..... 206/557  
2007/0014962 A1 \* 1/2007 Torrell ..... 428/64.1  
2013/0057005 A1 \* 3/2013 Grieve ..... 294/172  
2014/0014670 A1 \* 1/2014 Bergman et al. .... 220/600

\* cited by examiner

*Primary Examiner* — Elizabeth Albert

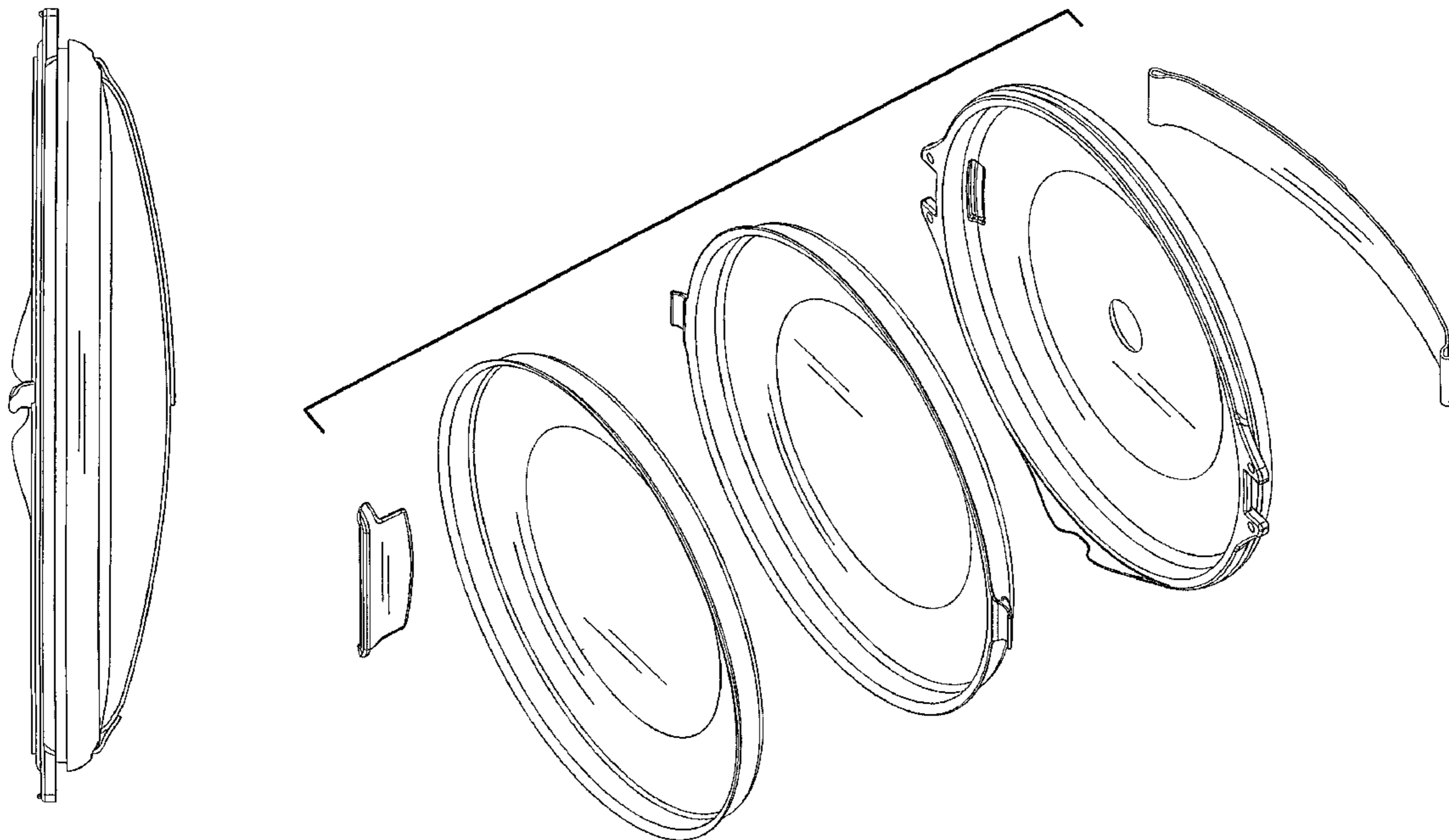
(57) **CLAIM**

The ornamental design for a paint caddy, as shown, and described.

**DESCRIPTION**

FIG. 1 is a top plan view;  
FIG. 2 is a right end view, the opposite side being a mirror image;  
FIG. 3 is a bottom plan view;  
FIG. 4 is an end view taken from FIG. 3, the opposite side being a mirror image;  
FIG. 5 is an exploded perspective view; and,  
FIG. 6 is an assembled perspective view.

**1 Claim, 4 Drawing Sheets**



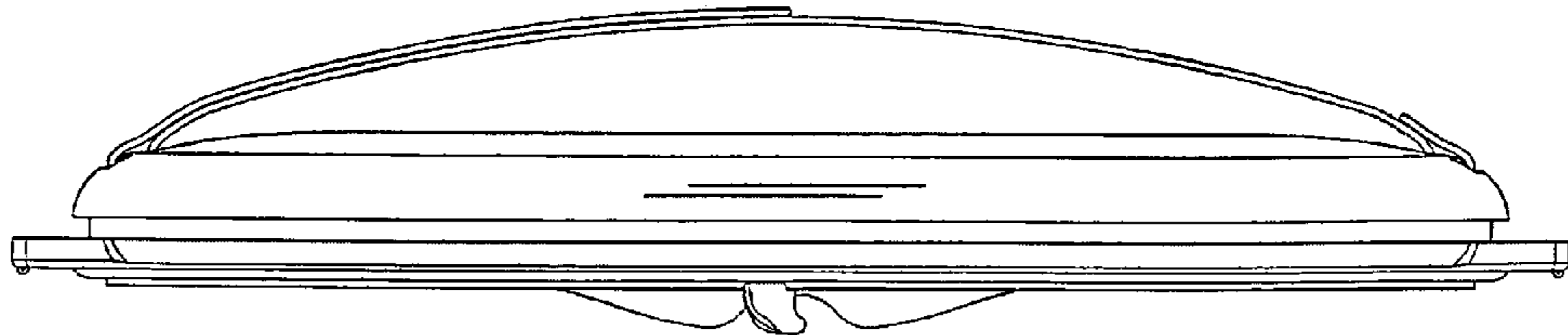


FIG. 2

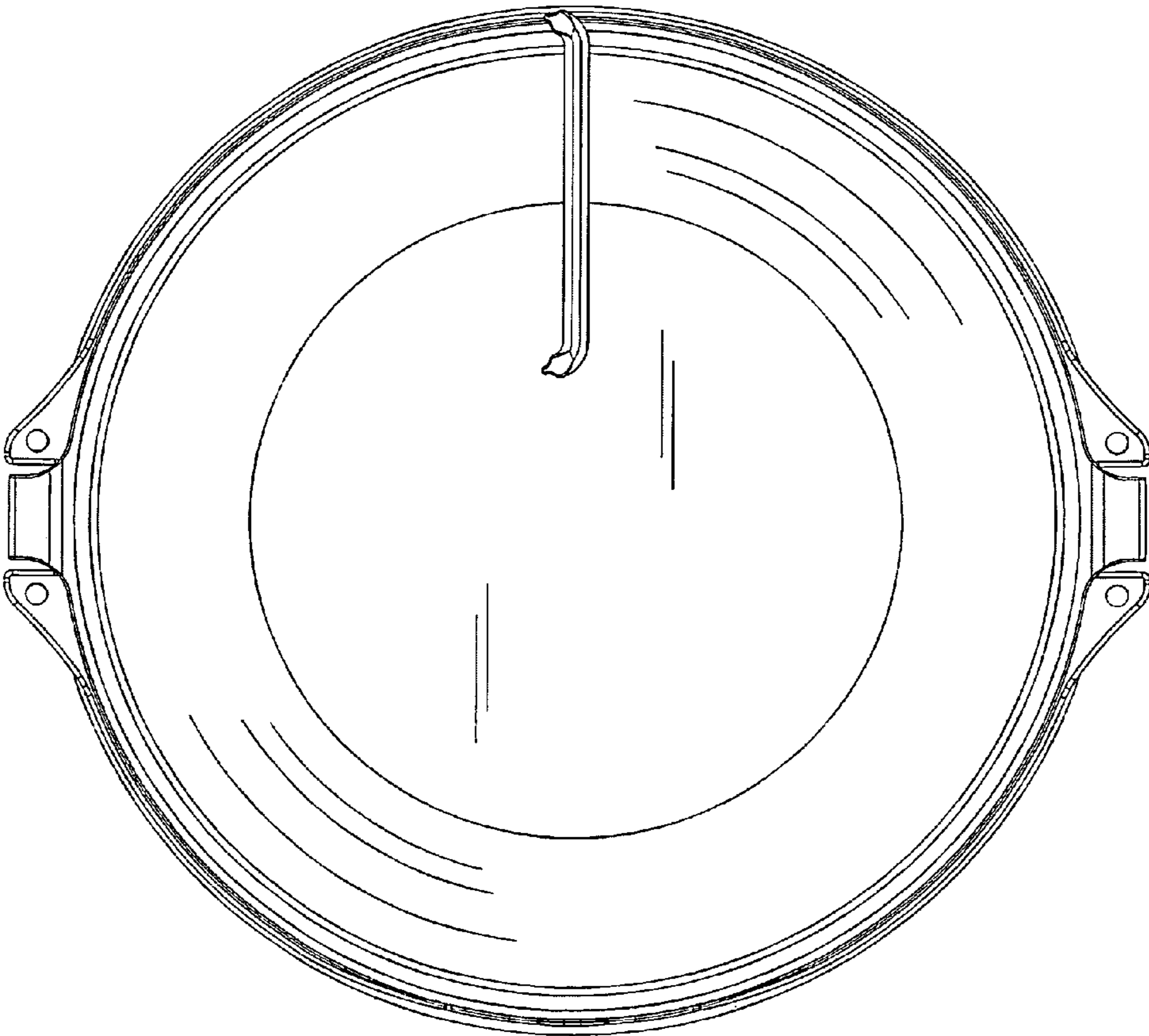


FIG. 1

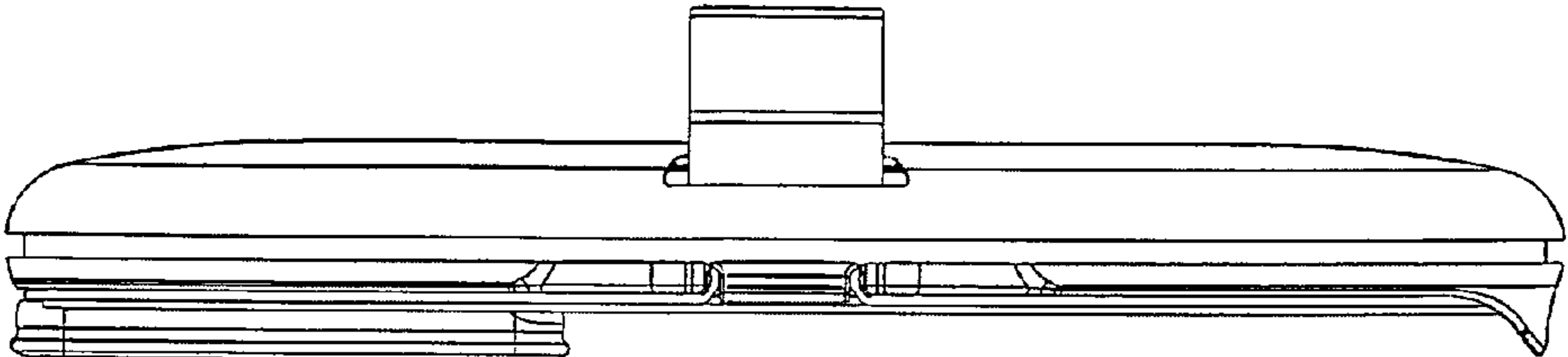


FIG. 4

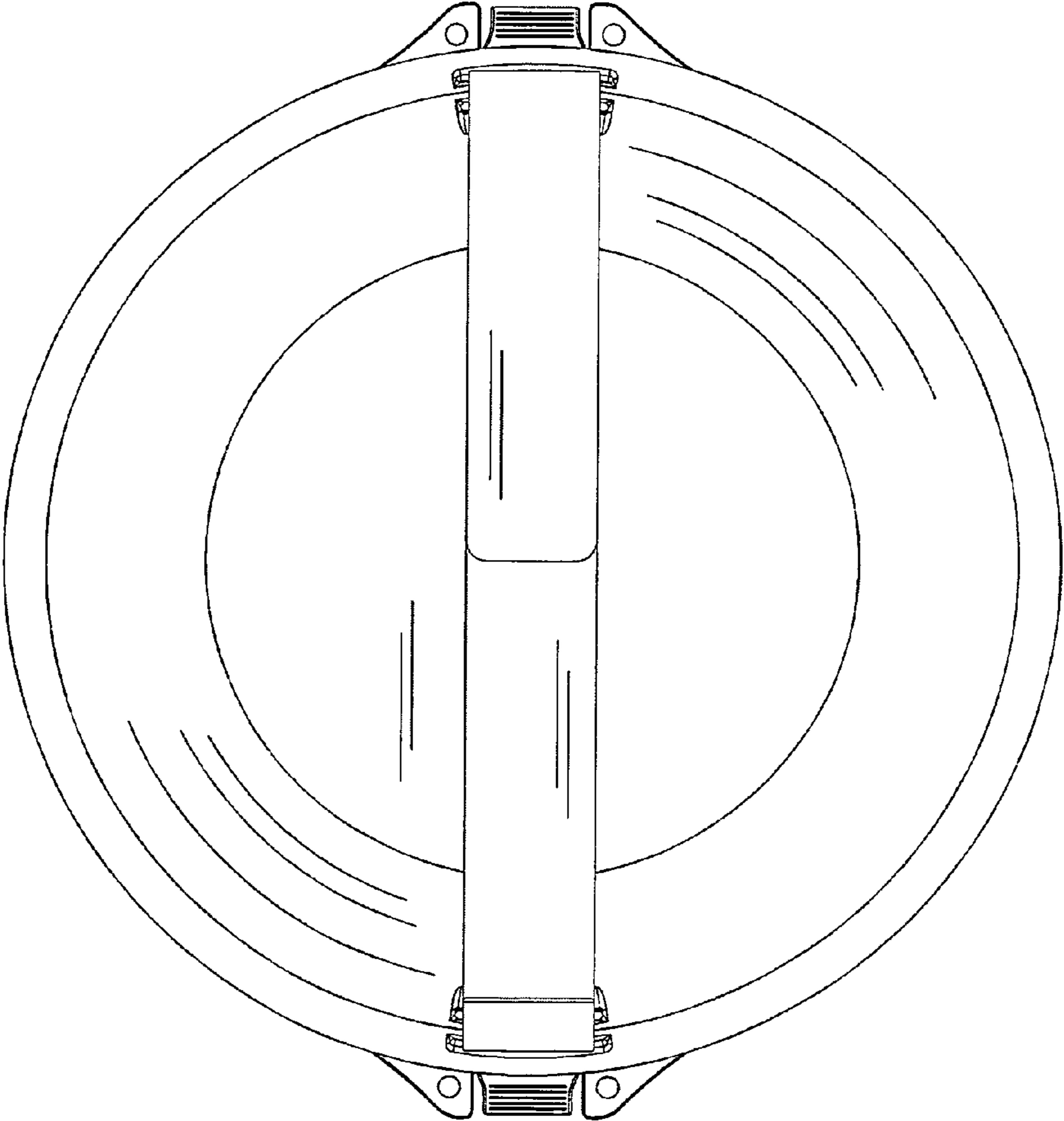


FIG. 3

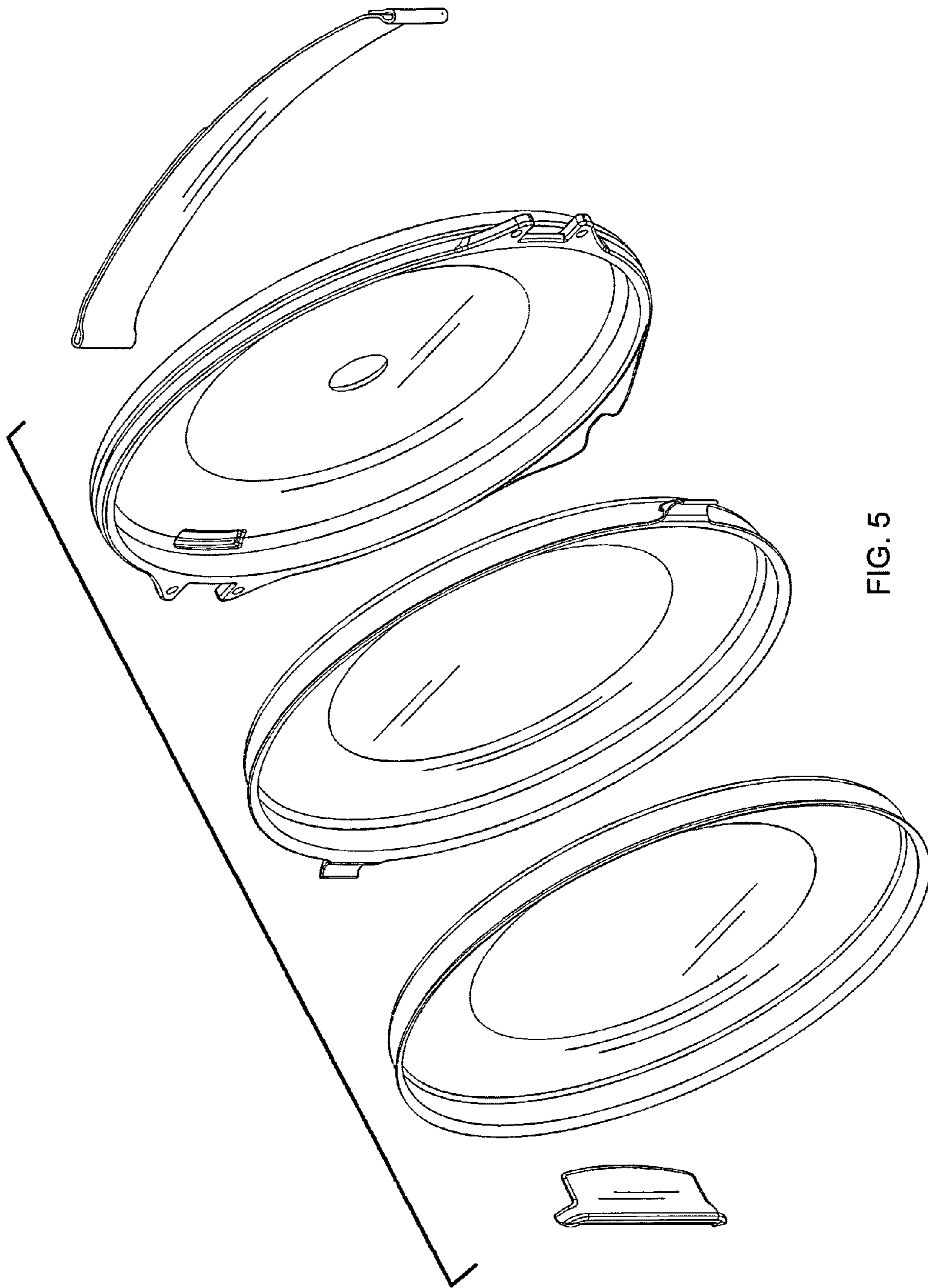


FIG. 5



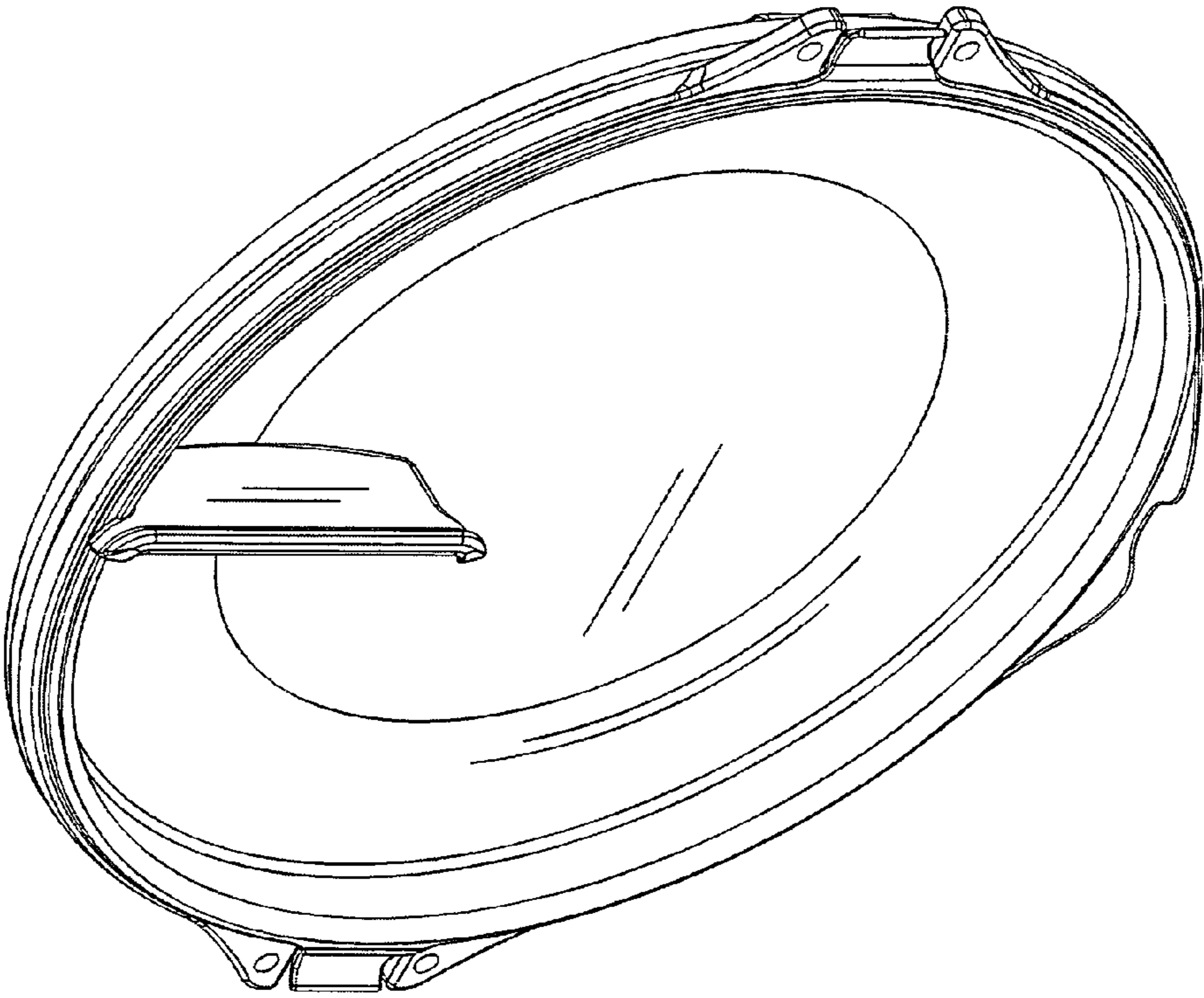


FIG. 6