



US00D713457S

(12) **United States Design Patent**
Shim

(10) **Patent No.:** **US D713,457 S**

(45) **Date of Patent:** **** Sep. 16, 2014**

(54) **NOTE HOLDER**

(71) Applicant: **Kyu-sung Shim**, Bucheon-Si (KR)

(72) Inventor: **Kyu-sung Shim**, Bucheon-Si (KR)

(**) Term: **14 Years**

(21) Appl. No.: **29/455,242**

(22) Filed: **May 17, 2013**

(51) **LOC (10) Cl.** **19-02**

(52) **U.S. Cl.**
USPC **D19/86**

(58) **Field of Classification Search**
CPC A47B 21/045; A47B 2200/0094;
G06F 1/1611
USPC D8/394, 395; D19/75, 86, 87, 90, 91,
D19/92; D20/43; 40/341, 658; 206/39.5,
206/215, 494, 555; 211/45, 48, 50, 89.01;
221/34, 52, 56
See application file for complete search history.

(56) **References Cited**

U.S. PATENT DOCUMENTS

D26,461 S * 12/1896 Lukacs D20/43
1,973,989 A * 9/1934 Lukacs 40/360

D242,431 S * 11/1976 Carroll D20/43
D279,991 S * 8/1985 Lehman D19/21
D303,050 S * 8/1989 Spence, Jr. D6/449
D347,857 S * 6/1994 Coe D19/65
5,975,478 A * 11/1999 Marino 248/442.2
5,992,072 A * 11/1999 Garfinkle 40/642.02
D607,061 S * 12/2009 Kosir D20/44
D625,935 S * 10/2010 Theisen D6/410
2002/0035798 A1 * 3/2002 Gray 40/124.01

* cited by examiner

Primary Examiner — Elizabeth Albert

(74) *Attorney, Agent, or Firm* — John K. Park; Park Law Firm

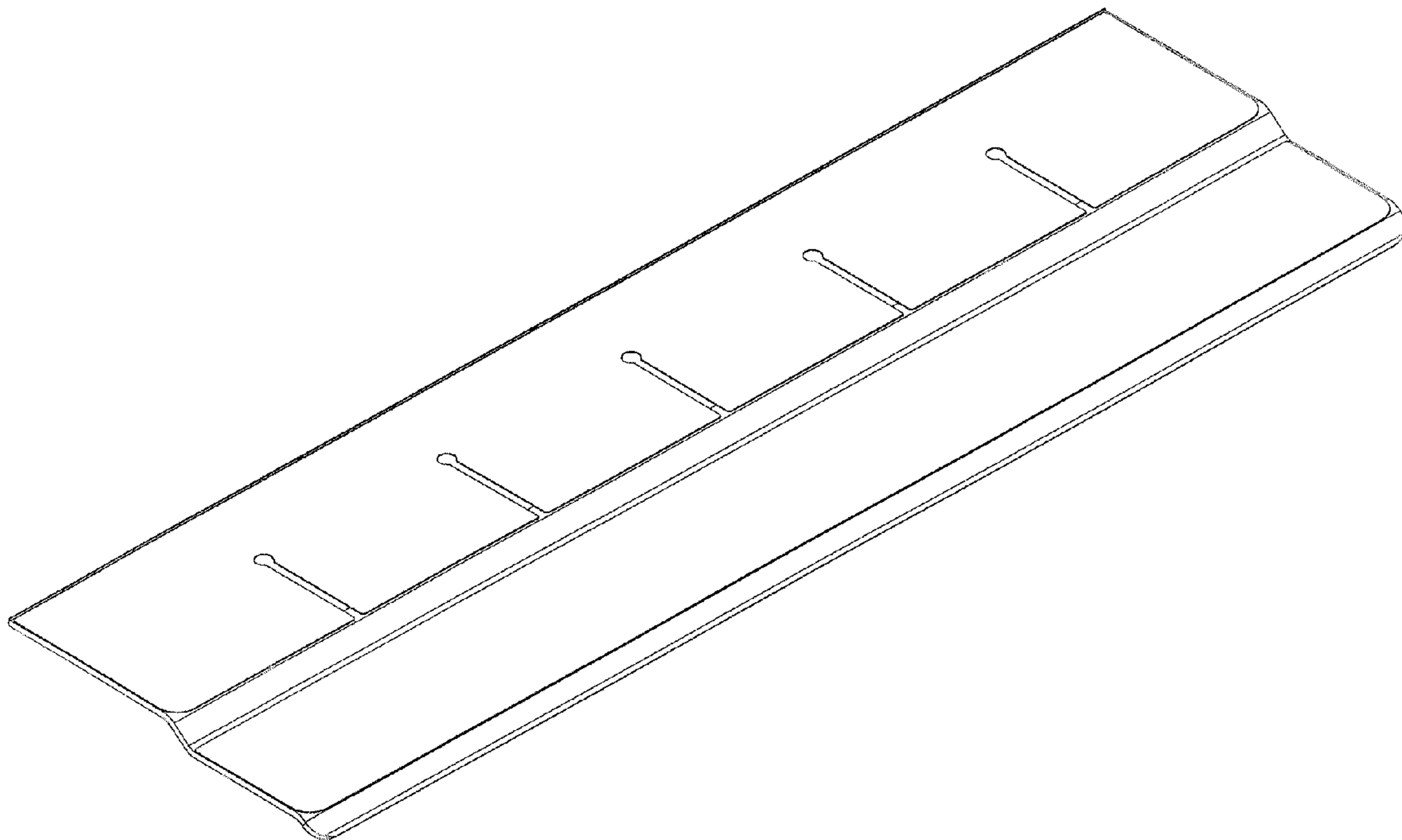
(57) **CLAIM**

The ornamental design for a note holder, as shown and described.

DESCRIPTION

FIG. 1 is a perspective view of a note holder showing my new design;
FIG. 2 is a front view thereof;
FIG. 3 is a rear view thereof;
FIG. 4 is a left side view thereof;
FIG. 5 is a right side view thereof;
FIG. 6 is a top plan view thereof; and,
FIG. 7 is a bottom view thereof.

1 Claim, 4 Drawing Sheets



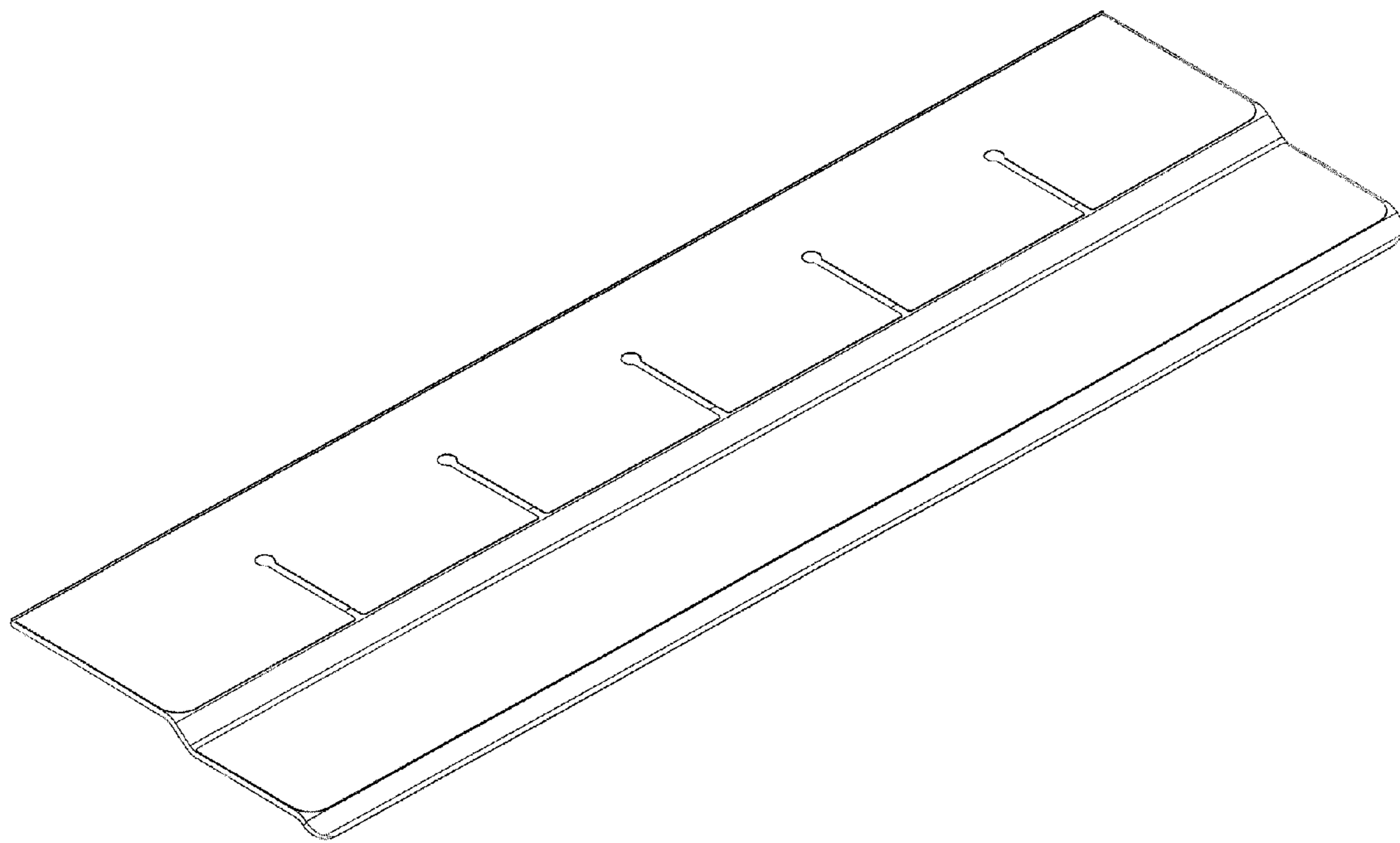


Fig. 1

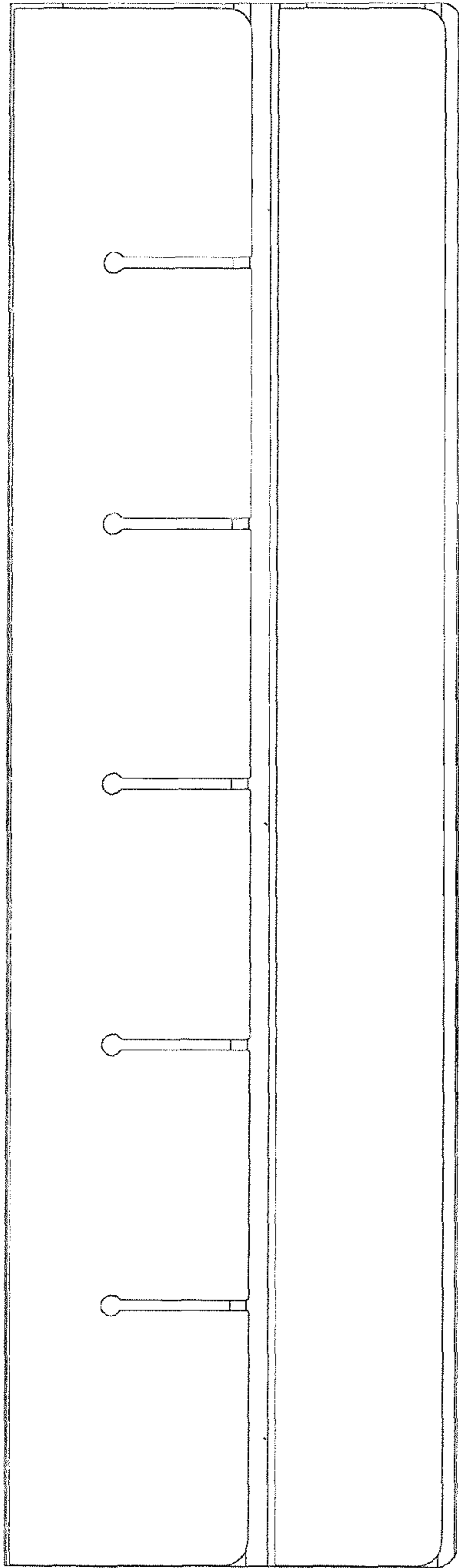


Fig. 2

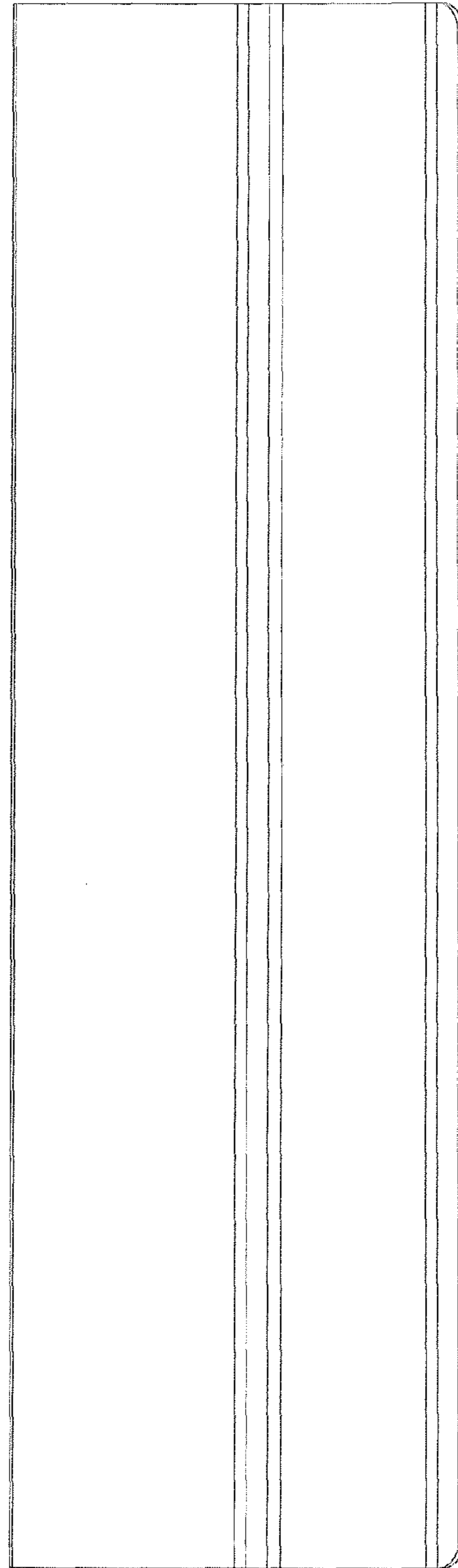


Fig. 3



Fig. 4



Fig. 5

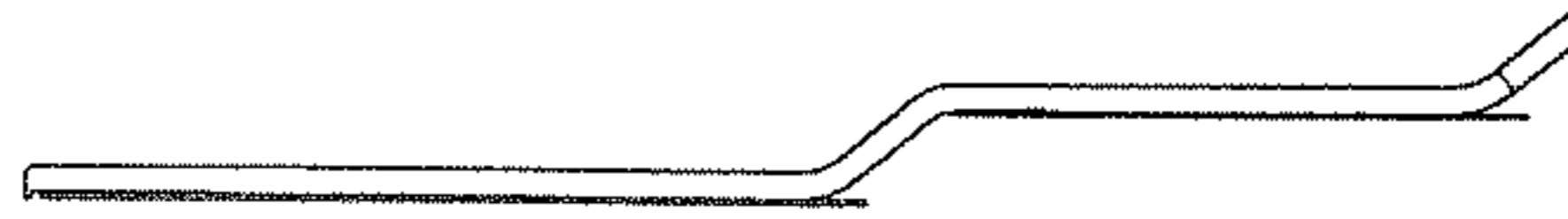


Fig. 6

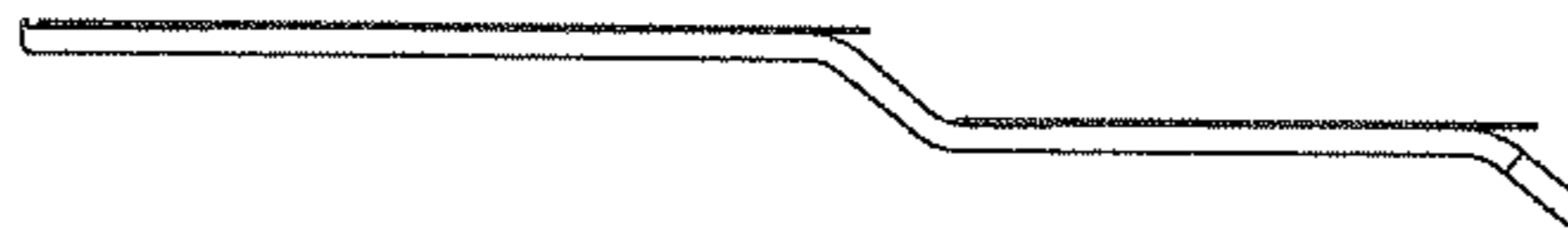


Fig. 7