



US00D713448S

(12) **United States Design Patent**
Matsumoto et al.

(10) **Patent No.:** **US D713,448 S**
(45) **Date of Patent:** **** Sep. 16, 2014**

(54) **TONER CARTRIDGE**

(71) Applicant: **Fuji Xerox Co., Ltd.**, Tokyo (JP)

(72) Inventors: **Takuji Matsumoto**, Kanagawa (JP); **Iori Togu**, Kanagawa (JP)

(73) Assignee: **Fuji Xerox Co., Ltd.**, Tokyo (JP)

(**) Term: **14 Years**

(21) Appl. No.: **29/437,316**

(22) Filed: **Nov. 15, 2012**

(30) **Foreign Application Priority Data**

May 16, 2012 (JP) 2012-011378

(51) **LOC (10) Cl.** **16-03**

(52) **U.S. Cl.**
USPC **D18/43**

(58) **Field of Classification Search**
CPC .. B41J 2/17553; B41J 2/1752; B41J 2/17556;
B41J 2/17513; B41J 2/175
USPC D18/12, 36, 40, 43, 44, 56; D14/471;
347/49, 50, 86, 197, 222; 399/11, 106,
399/119, 120, 230, 258; 222/DIG. 1
See application file for complete search history.

(56) **References Cited**

U.S. PATENT DOCUMENTS

D459,387 S * 6/2002 Tanda D18/43
D464,671 S * 10/2002 Tanda D18/43
D464,672 S * 10/2002 Shinano et al. D18/56
D574,882 S * 8/2008 Saito et al. D18/43

D577,380 S * 9/2008 Saito D18/43
D592,241 S * 5/2009 Nozawa et al. D18/56
D630,243 S * 1/2011 Takiguchi et al. D18/43
D630,244 S * 1/2011 Takiguchi et al. D18/43
D651,643 S * 1/2012 Sakai D18/43
D656,183 S * 3/2012 Nanjo et al. D18/56
D656,184 S * 3/2012 Iwamuro et al. D18/56
2011/0057999 A1* 3/2011 Gonzales 347/86

* cited by examiner

Primary Examiner — Thomas Johannes

Assistant Examiner — Chelsea Sealey

(74) *Attorney, Agent, or Firm* — Sughrue Mion, PLLC

(57) **CLAIM**

The ornamental design for a toner cartridge, as shown and described.

DESCRIPTION

FIG. 1 is a bottom, rear and right side perspective view of a toner cartridge showing our new design; FIG. 2 is a bottom, front and left side perspective view thereof; FIG. 3 is a bottom, rear and left side perspective view thereof; FIG. 4 is a front view thereof; FIG. 5 is a rear view thereof; FIG. 6 is a left side view thereof; FIG. 7 is a right side view thereof; FIG. 8 is a top plan view thereof; and, FIG. 9 is a bottom view thereof.

The portions of the article in dash-dash line indicate unclaimed subject matter that forms no part of the claimed design. The portions of the article in dashed-dotted line are shown for boundaries between the claimed portion and the non-claimed portion and form no part of the claimed design.

1 Claim, 6 Drawing Sheets

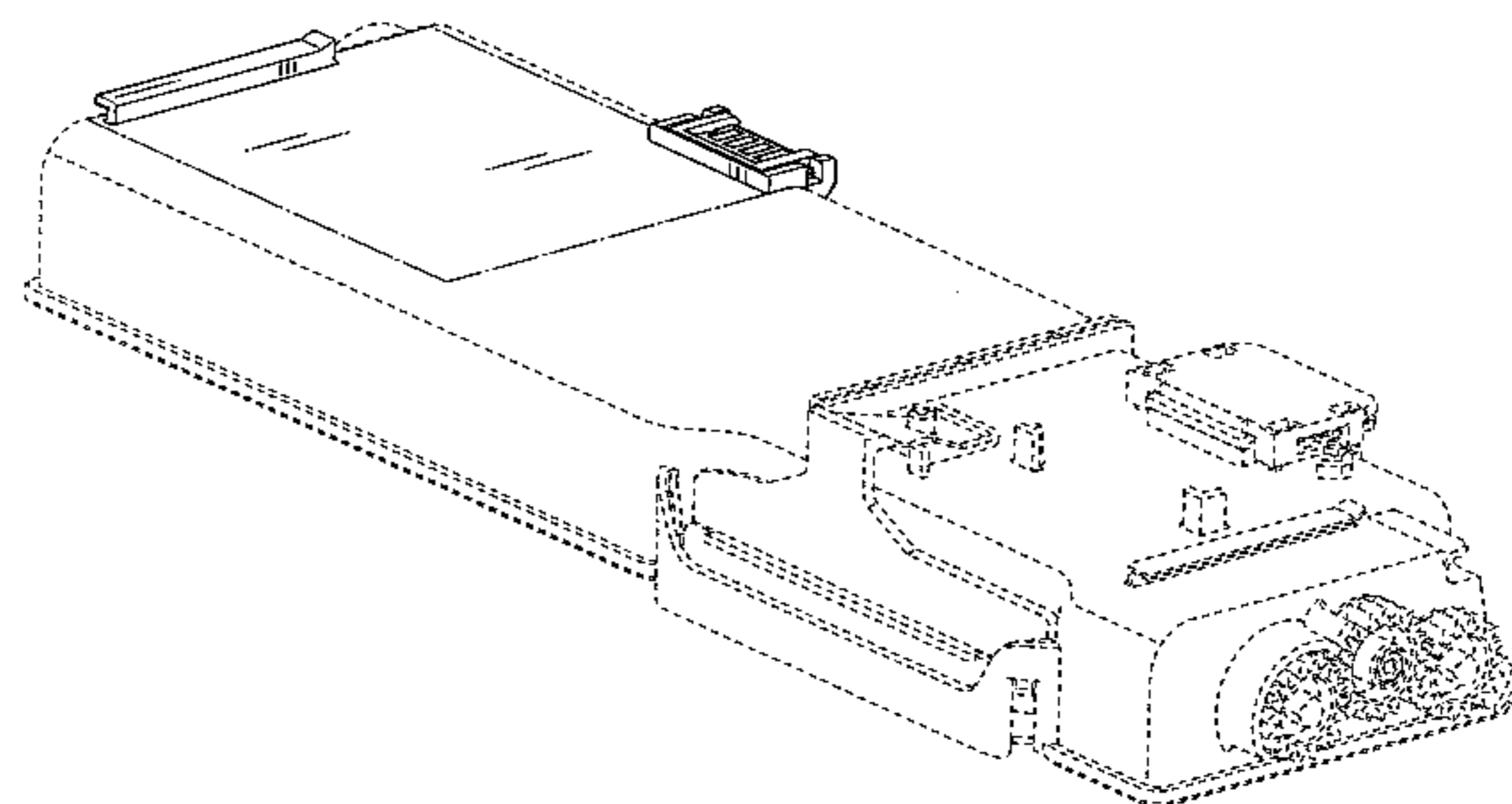
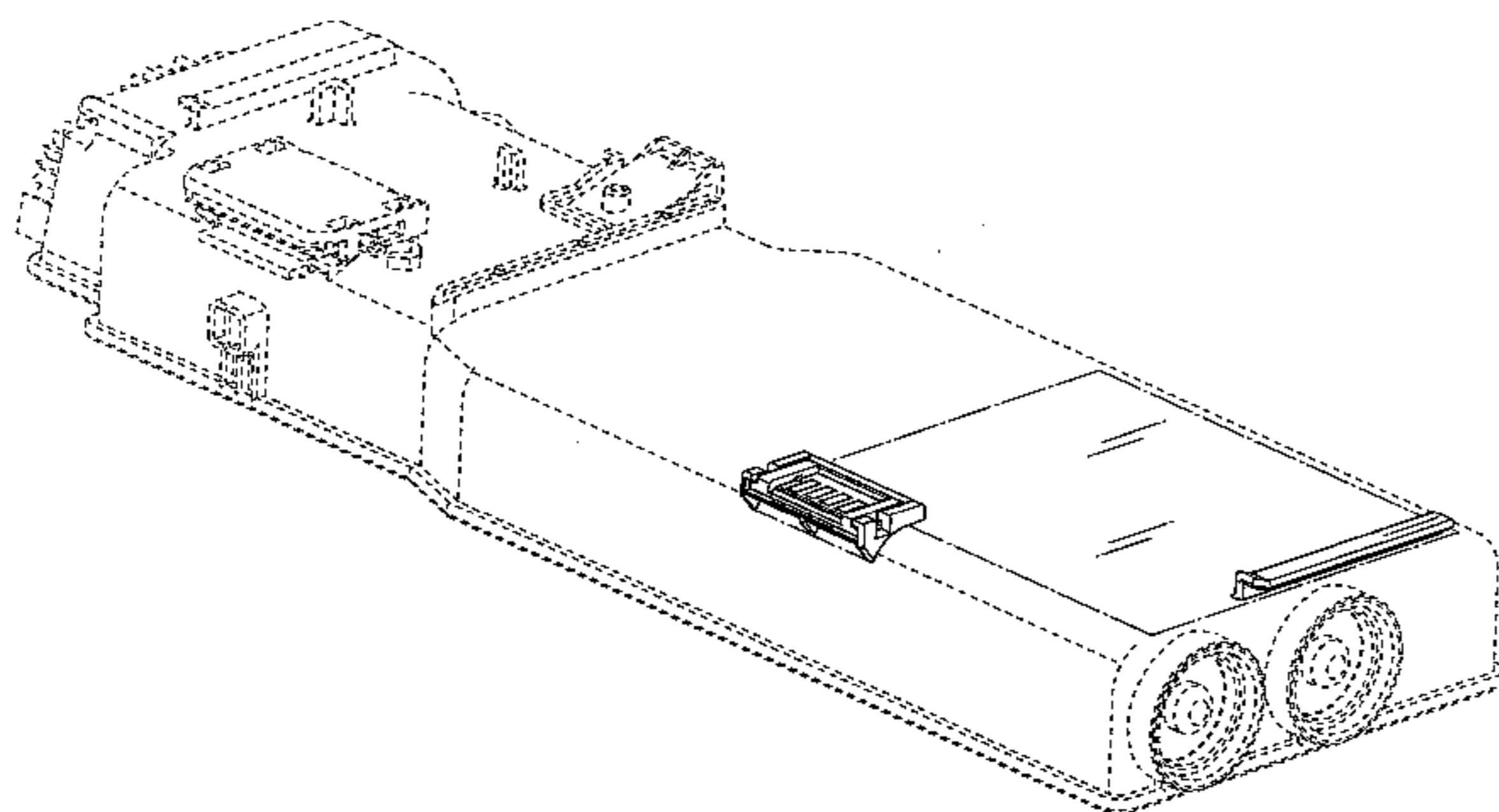


Fig. 1

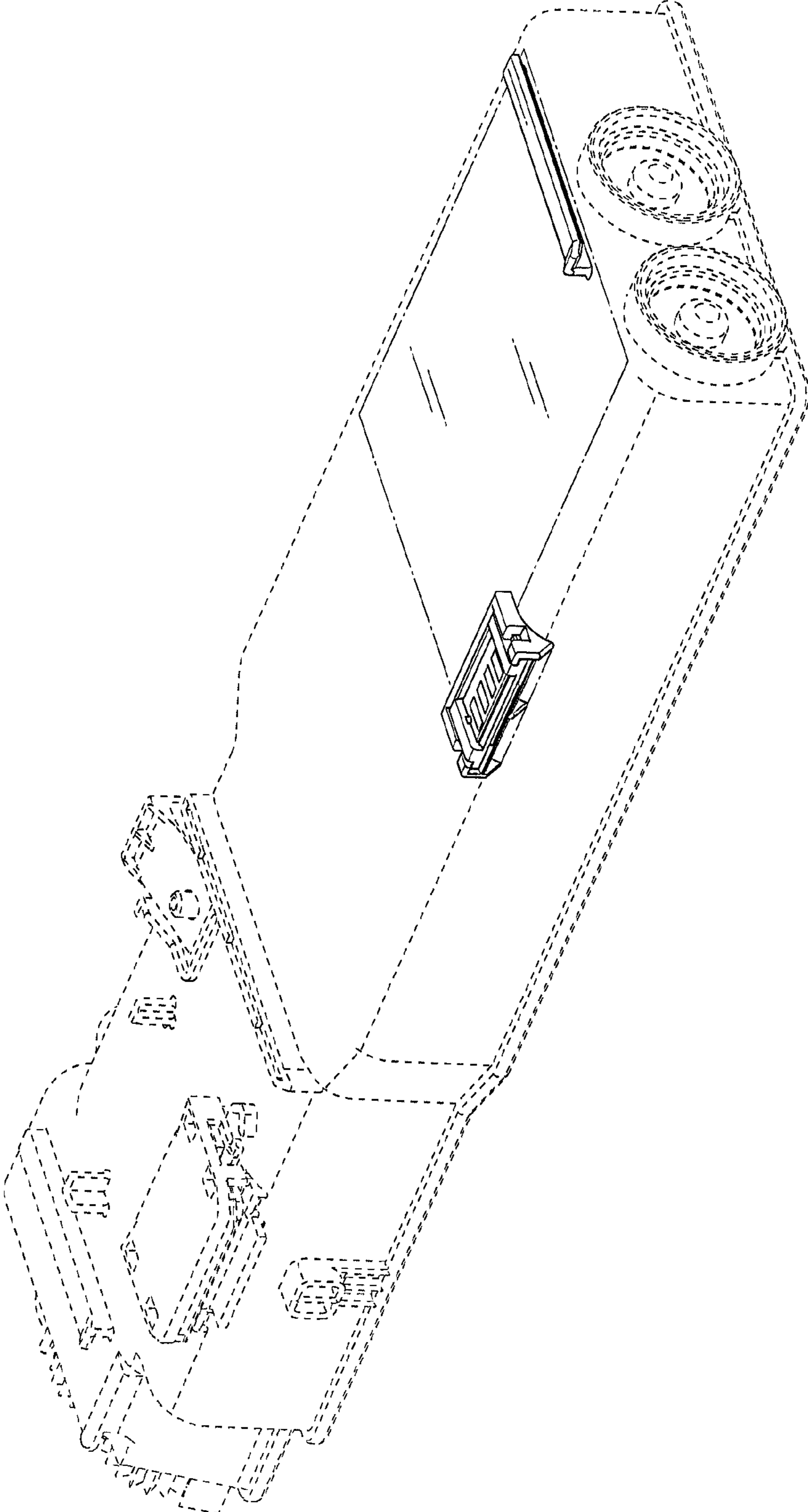


Fig. 2

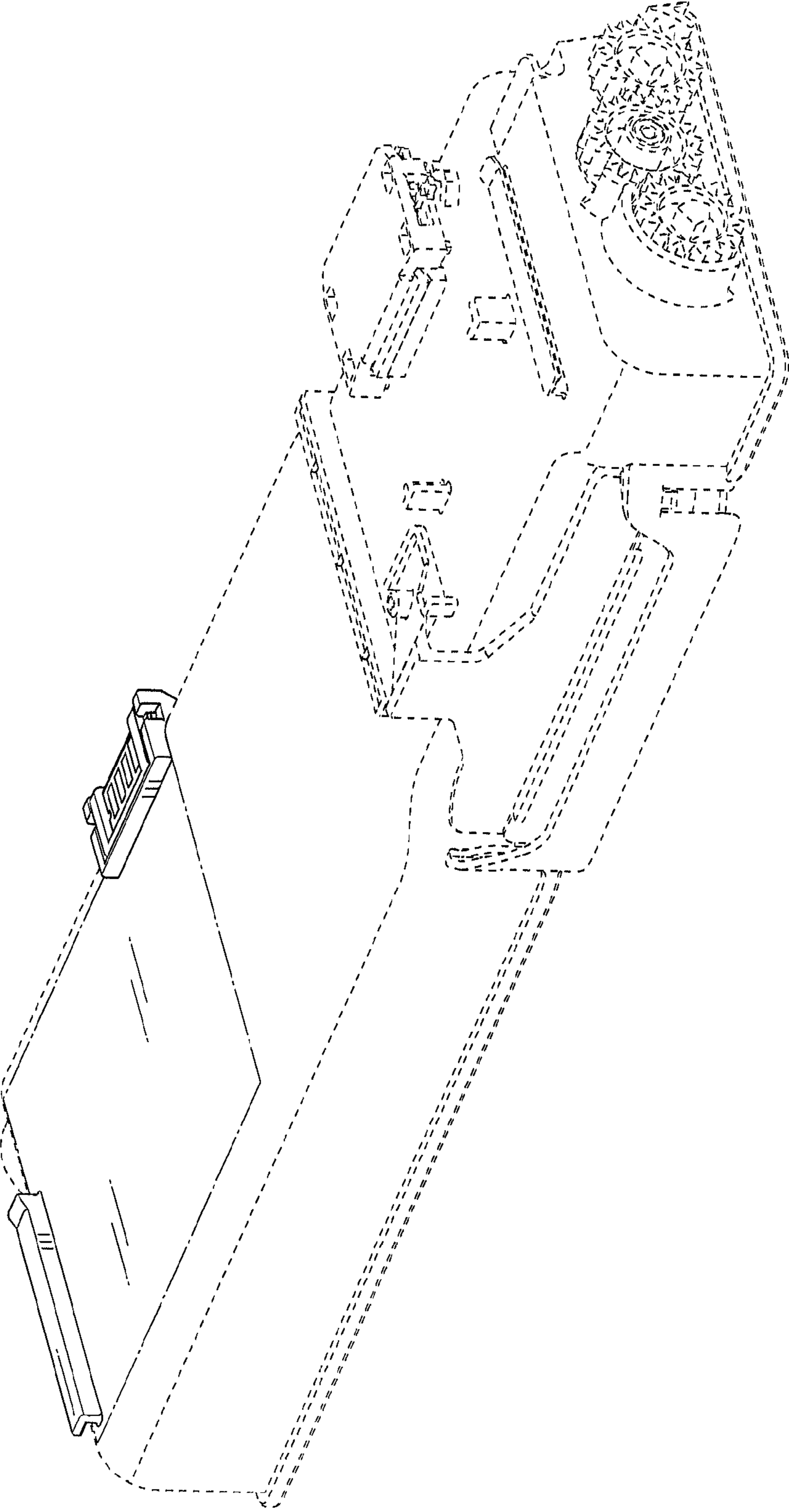


Fig. 3

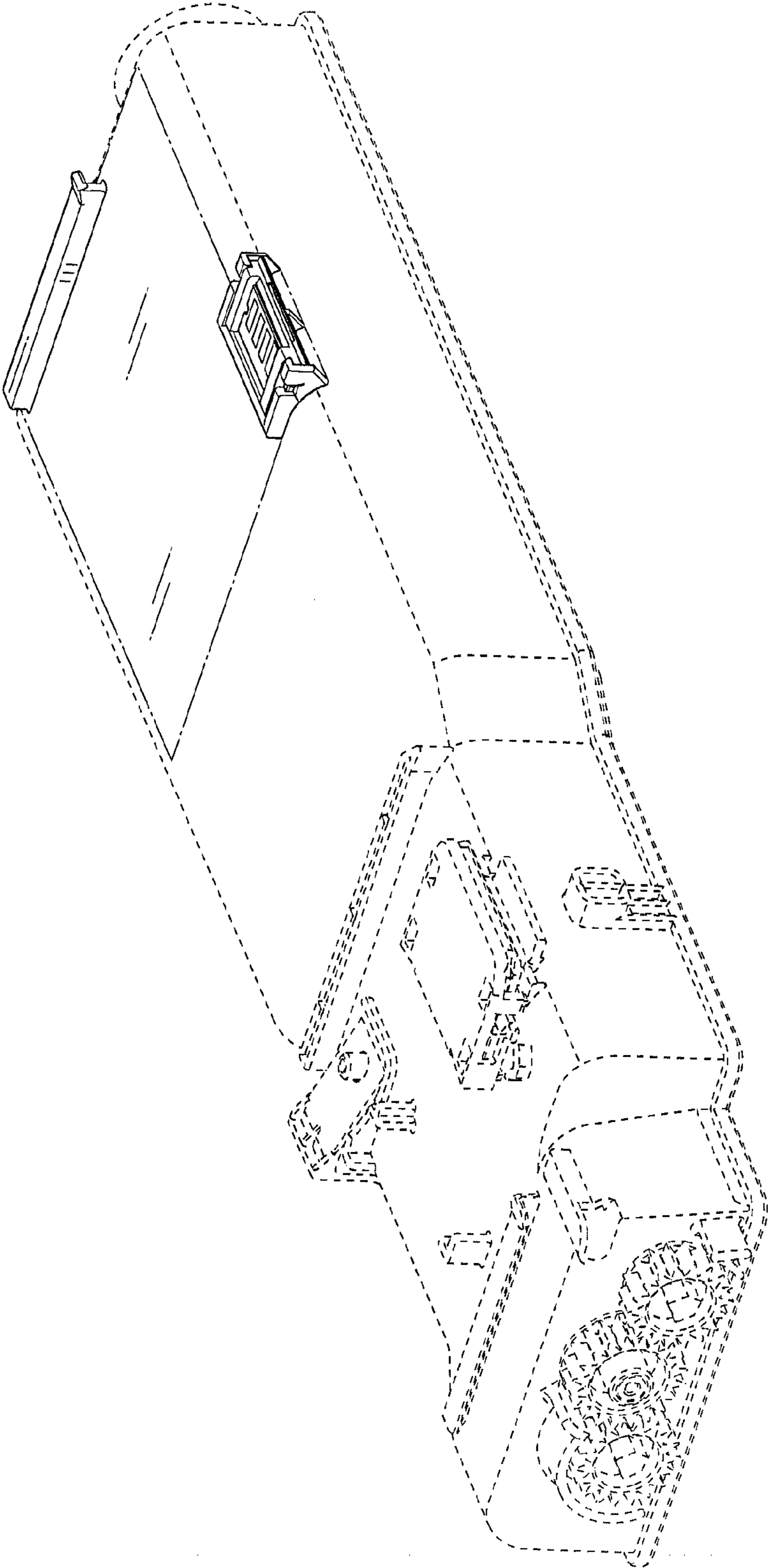


Fig. 4

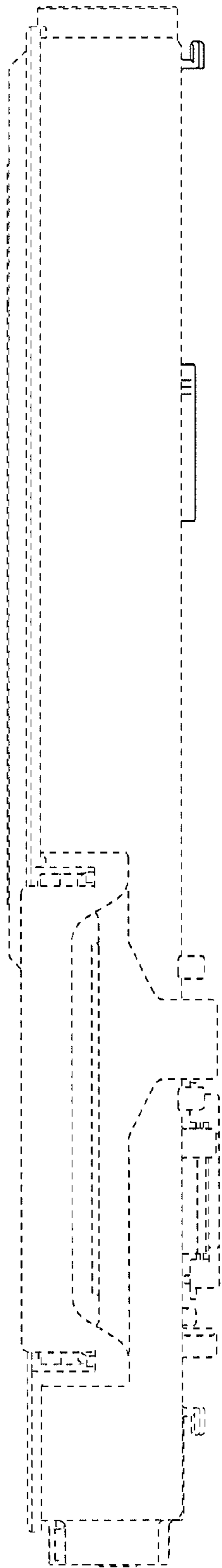


Fig. 5

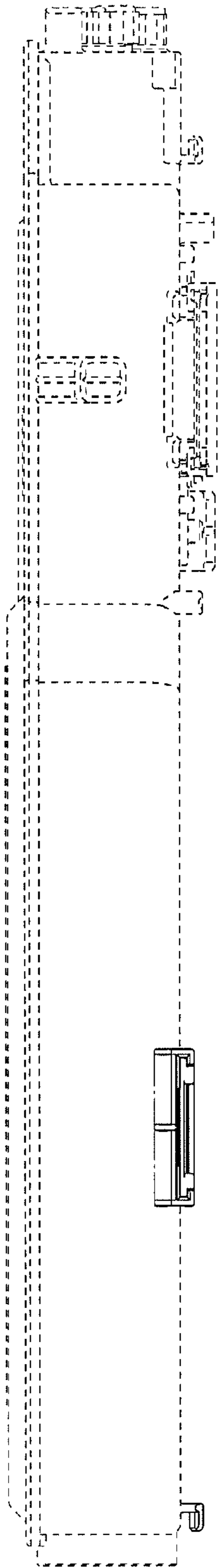


Fig. 6

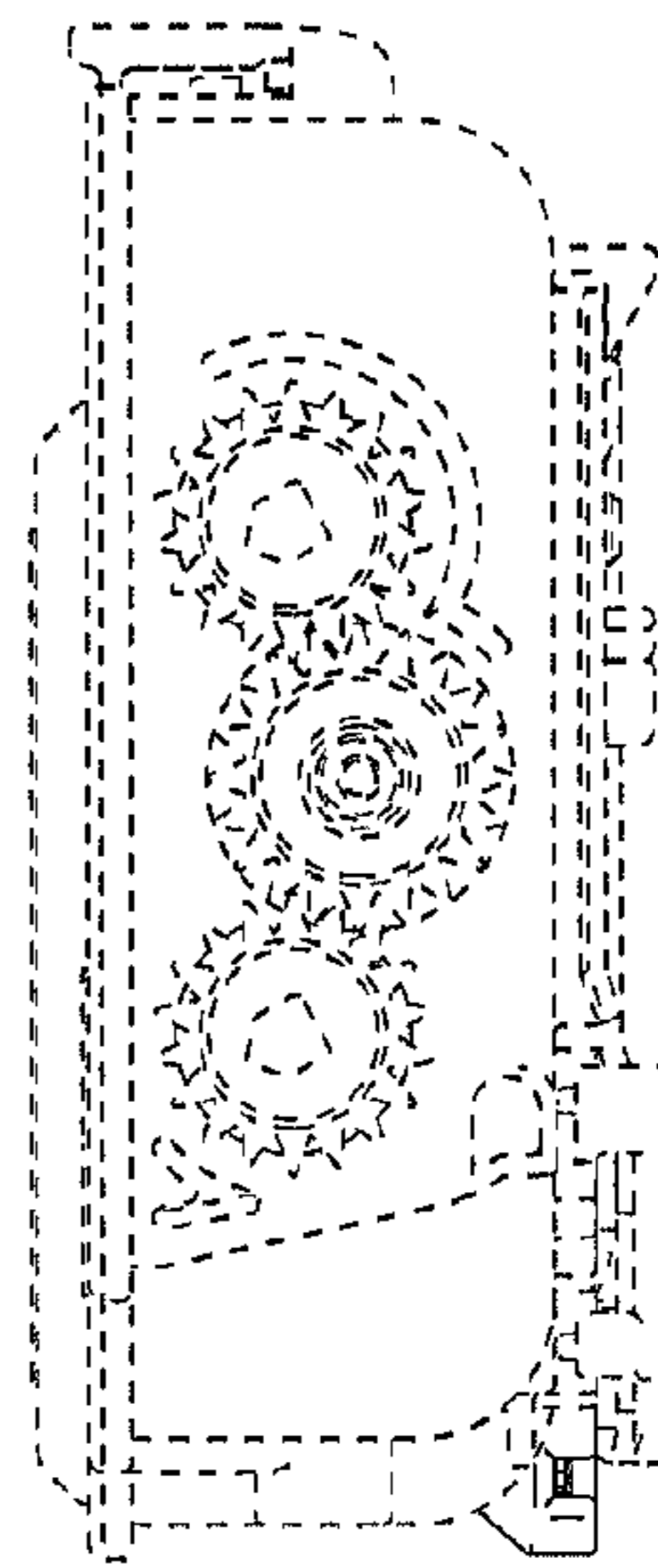


Fig. 7

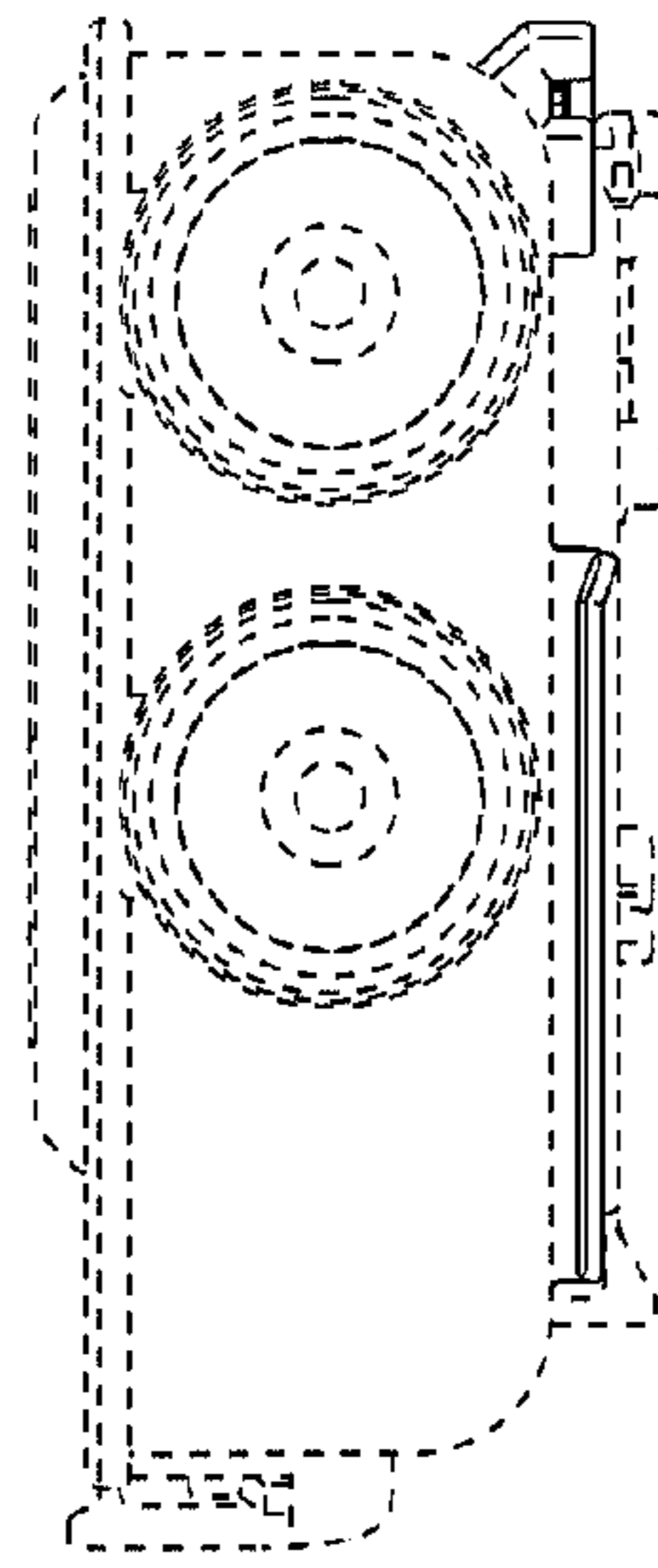


Fig. 8

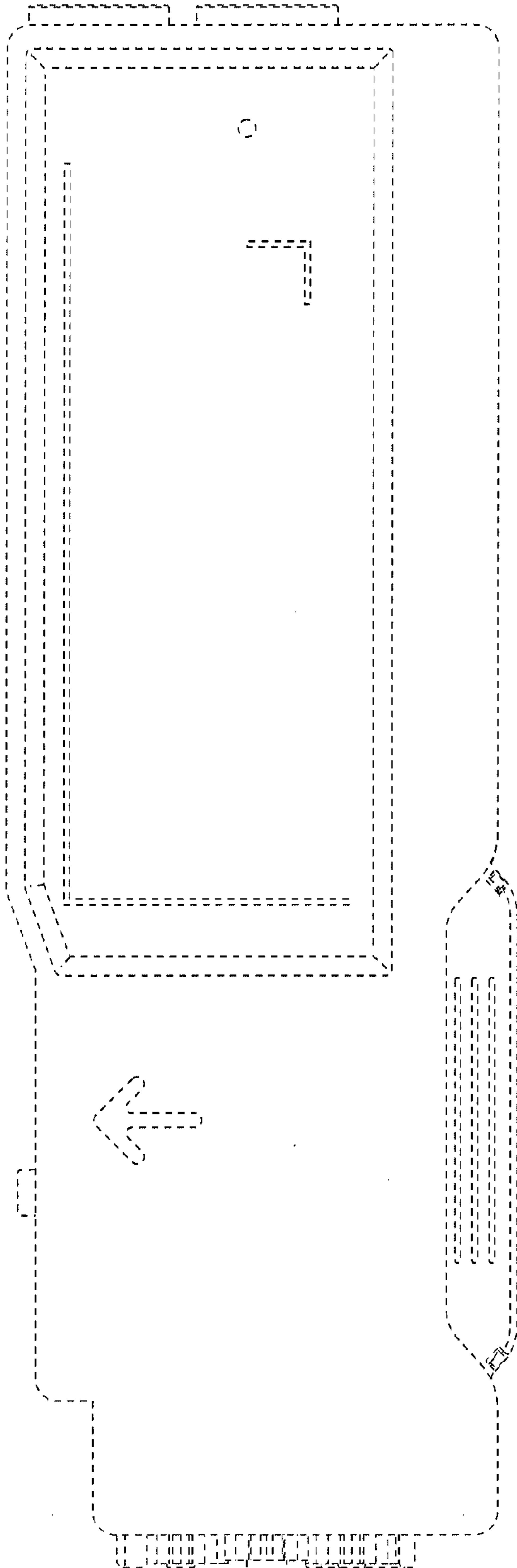


Fig. 9

