



US00D713447S

(12) **United States Design Patent**  
**Balar et al.**

(10) **Patent No.:** **US D713,447 S**  
(45) **Date of Patent:** **\*\* Sep. 16, 2014**

(54) **TABLE-SIDE INFORMATION AND POINT-OF-SALE (POS) DEVICE**

FOREIGN PATENT DOCUMENTS

(71) Applicant: **TableTop Media, LLC**, Dallas, TX (US)

CA	149610	*	1/2013
EM	001967944-0001	*	12/2011
KR	300459892.0000	*	11/2006
KR	300698365.0000	*	6/2013

(72) Inventors: **Viren R. Balar**, Murphy, TX (US); **John E. Regal**, Dallas, TX (US); **Mark Daniel Staller**, Sachse, TX (US); **Jacob C. Baum**, Dallas, TX (US); **Christopher Alan Roberson**, Dallas, TX (US)

\* cited by examiner

(73) Assignee: **TableTop Media, LLC**, Dallas, TX (US)

*Primary Examiner* — Adir Aronovich  
*Assistant Examiner* — Ethiene Salgado-Rodriguez  
(74) *Attorney, Agent, or Firm* — David H. Judson

(\*\*) Term: **14 Years**

(57) **CLAIM**

(21) Appl. No.: **29/441,157**

The ornamental design for a table-side information and point-of-sale (POS) device, as shown and described.

(22) Filed: **Jan. 2, 2013**

(51) **LOC (10) Cl.** ..... **18-01**

**DESCRIPTION**

(52) **U.S. Cl.**

USPC ..... **D18/4.6**

(58) **Field of Classification Search**

USPC ..... D14/336, 371–376, 387; D18/3.1–3.3, D18/4.1–4.6, 6–8, 11, 12, 12.1–12.3; D21/324, 325, 332; D99/28, 34–36, D99/43; 235/1 E, 7 R, 12, 22, 33, 51, 52, 2; 705/12, 15–18, 43

See application file for complete search history.

(56) **References Cited**

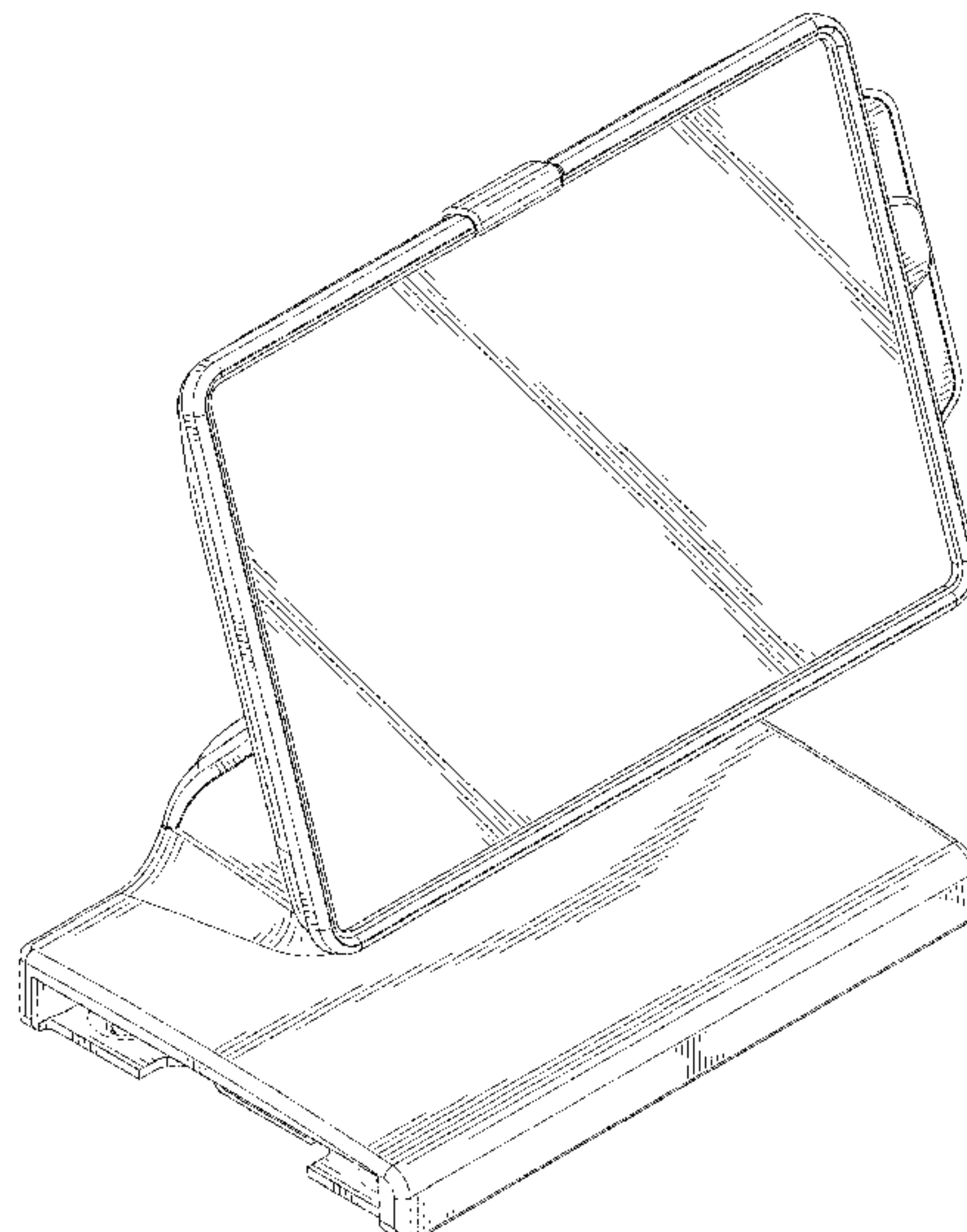
U.S. PATENT DOCUMENTS

D317,912 S *	7/1991	Takai	.....	D14/375
D349,489 S *	8/1994	Wang	.....	D14/375
D424,098 S *	5/2000	Kim	.....	D18/4.5
D508,519 S *	8/2005	Kuramochi et al.	.....	D18/4.1
D526,002 S *	8/2006	Nakajima et al.	.....	D18/4.5
D542,834 S *	5/2007	Ando et al.	.....	D18/4.6
D544,028 S *	6/2007	Hanafusa et al.	.....	D18/4.4
D687,484 S *	8/2013	Eun	.....	D18/4.6
D689,126 S *	9/2013	Eun	.....	D18/4.6

FIG. 1 is a front and left perspective view of a table-side information and point-of-sale (POS) device showing our new design;  
FIG. 2 is a front elevational view thereof;  
FIG. 3 is a rear elevational view thereof;  
FIG. 4 is a right side elevational view thereof;  
FIG. 5 is a left side elevational view thereof;  
FIG. 6 is a top plan view thereof;  
FIG. 7 is a bottom plan view thereof; and,  
FIG. 8 is a rear and right side perspective view thereof.

The broken lines in the drawings are shown for the purpose of illustrating portions of the table-side information and point-of-sale (POS) device and form no part of the claimed design. The article in which the design is embodied is a table-side information and point-of-sale (POS) device for use in a restaurant or hospitality environment. The characteristic feature of the design resides in the overall appearance of the device.

**1 Claim, 8 Drawing Sheets**



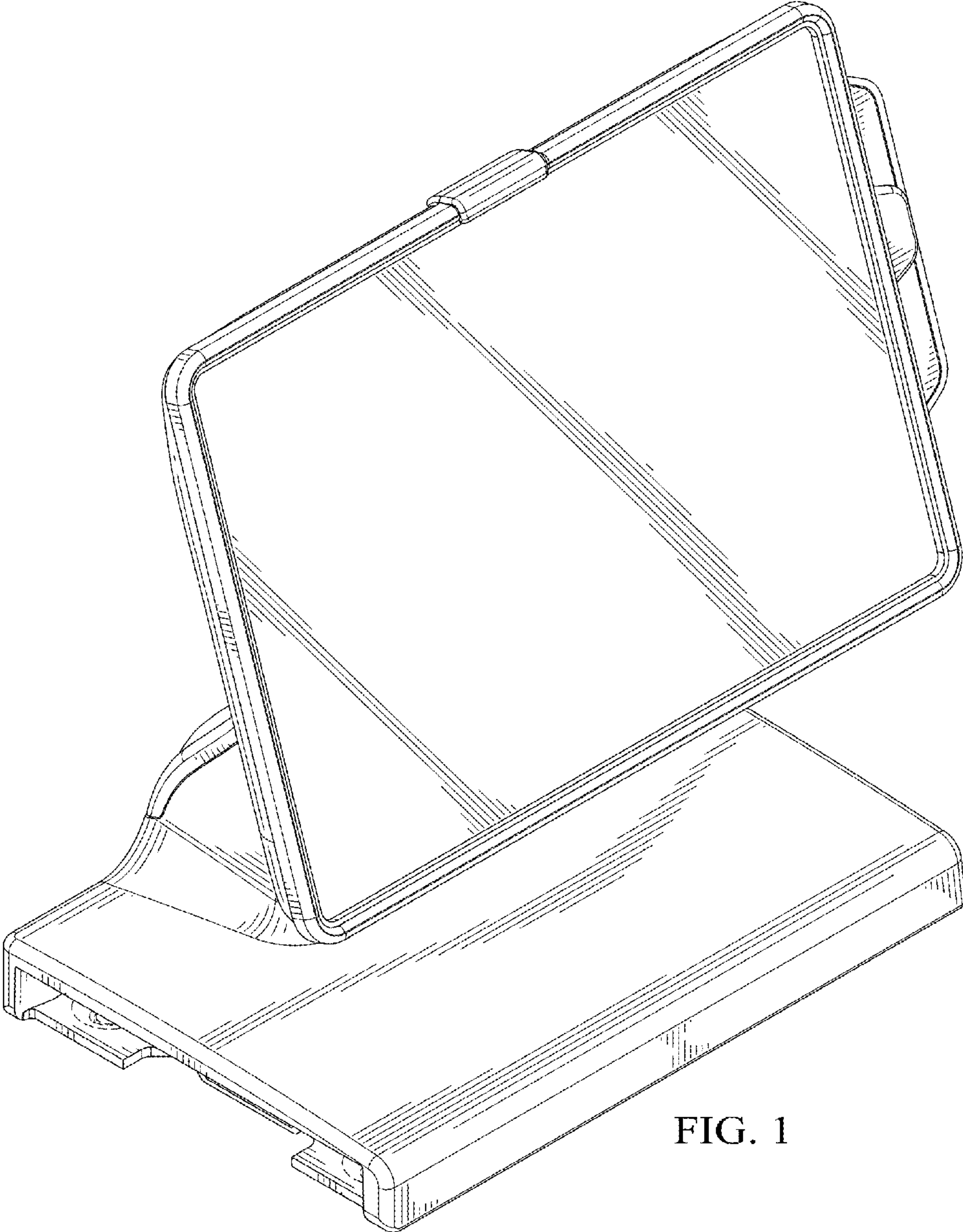


FIG. 1

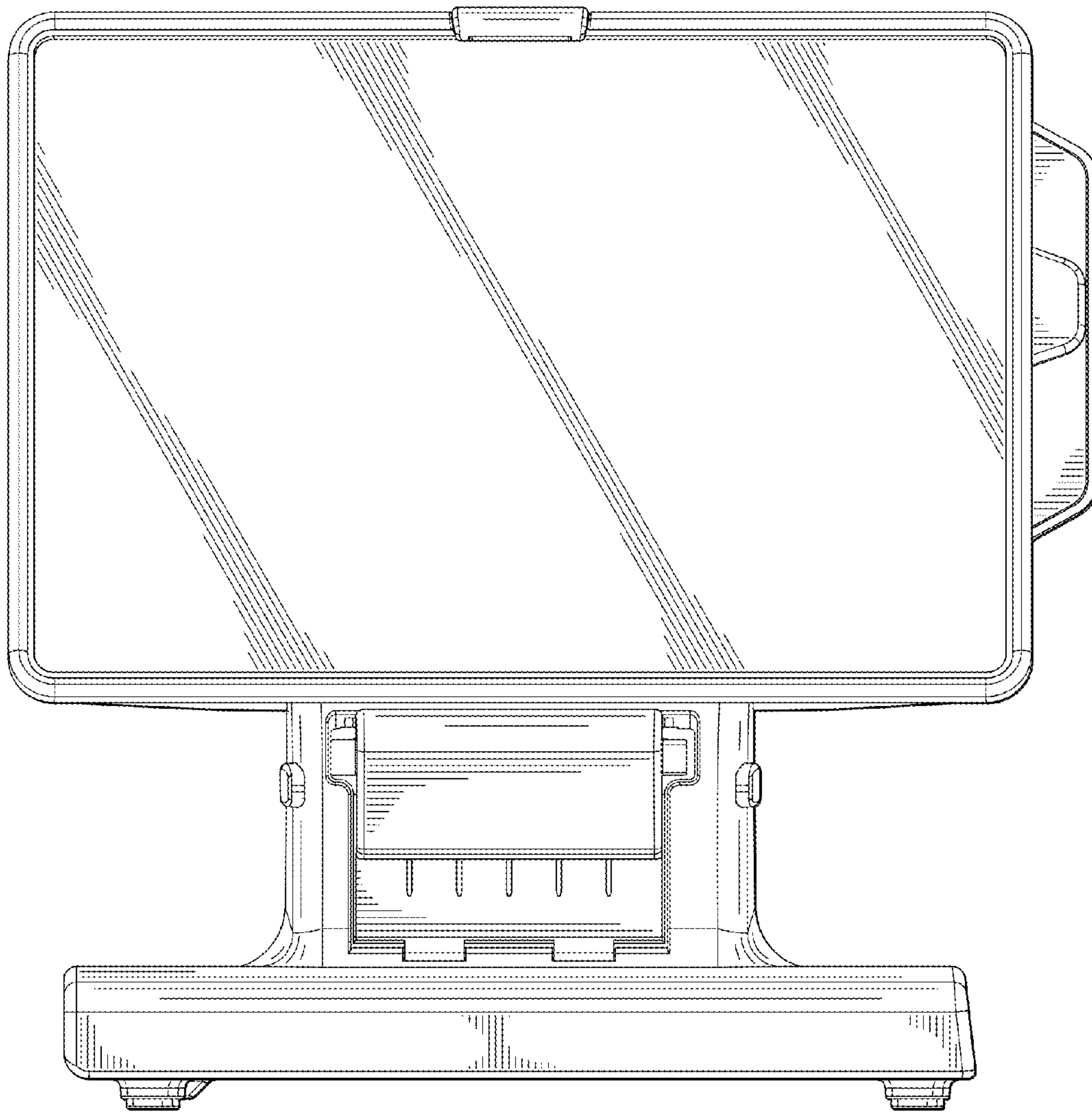


FIG. 2



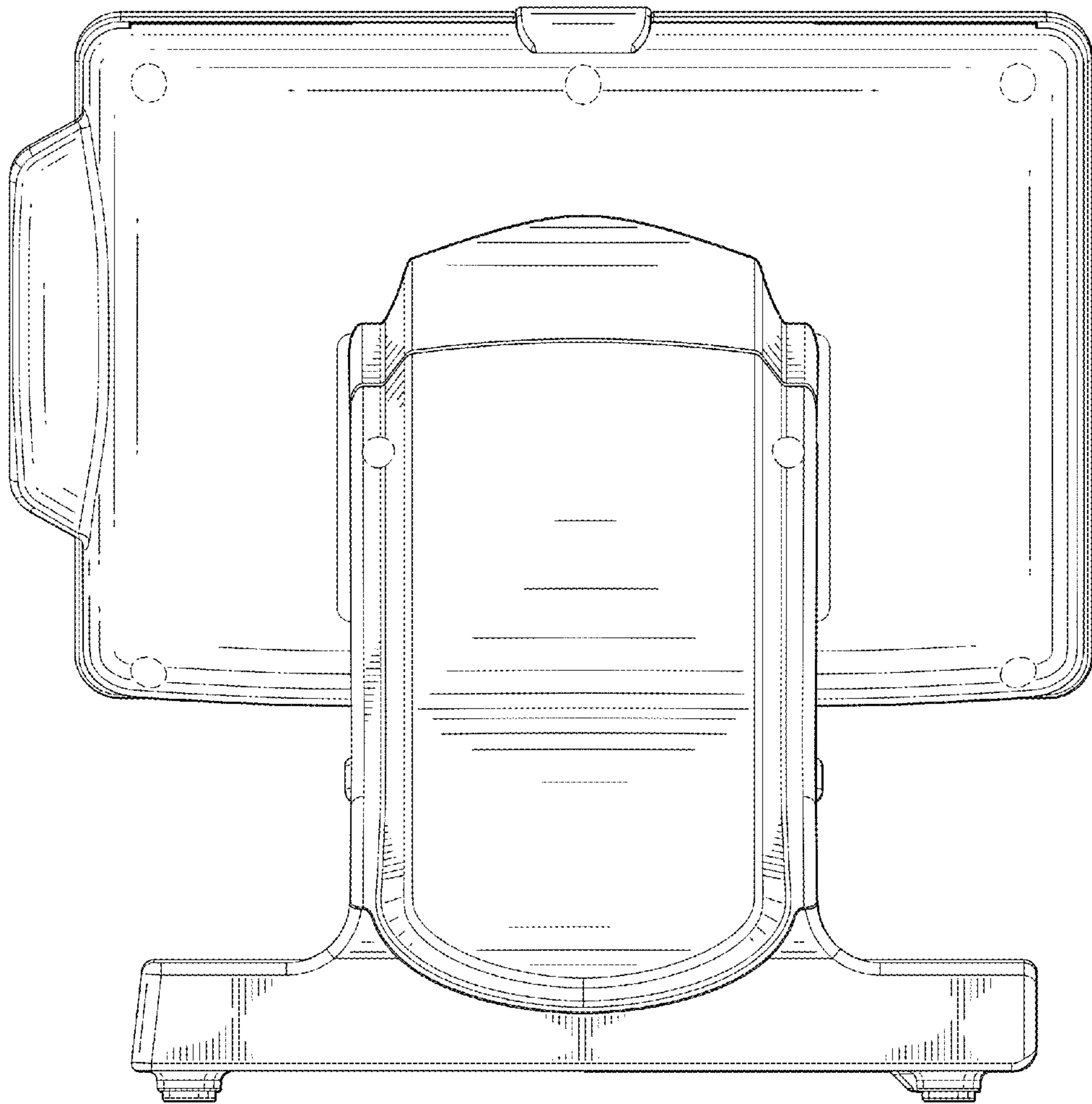


FIG. 3

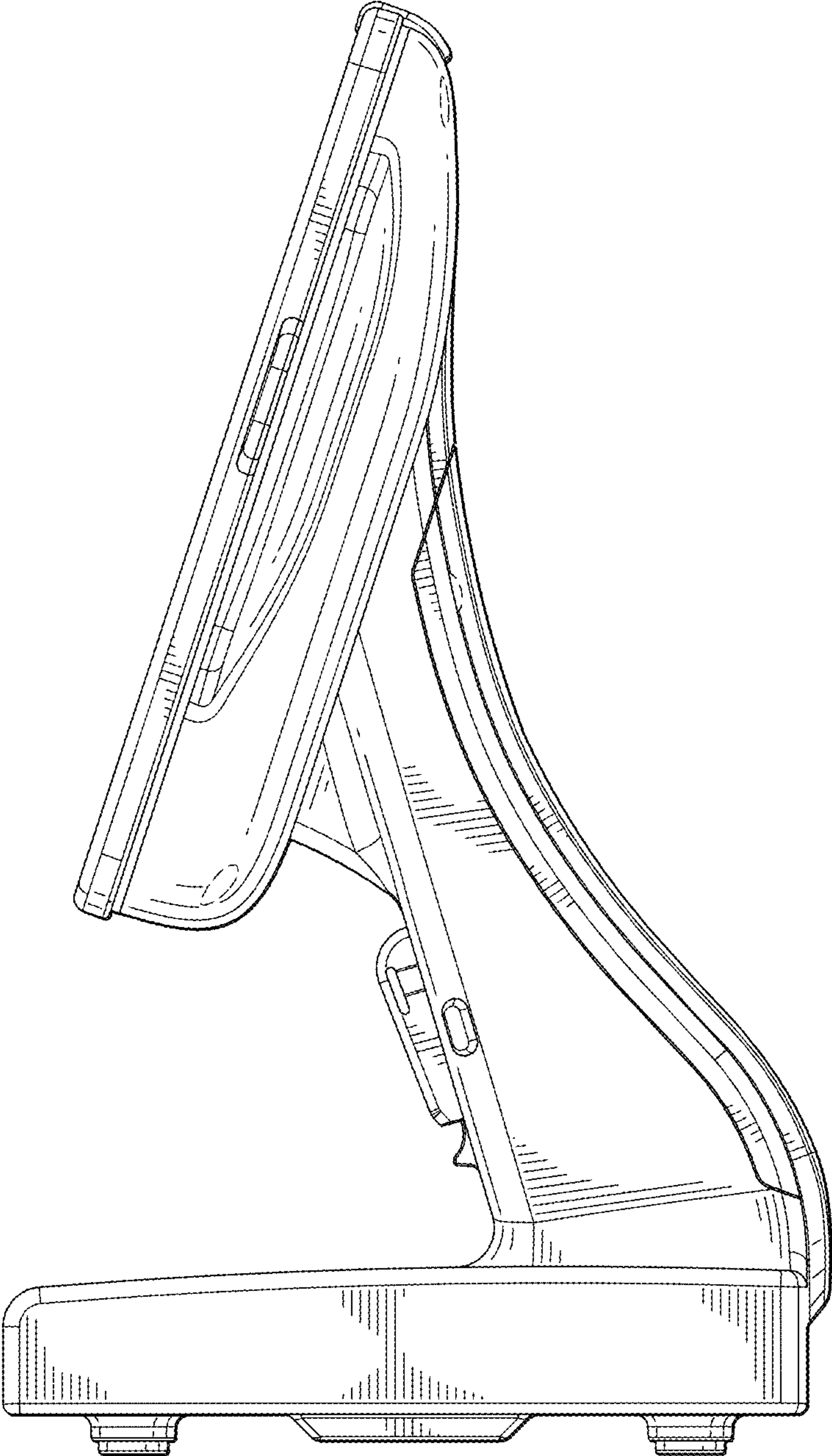


FIG. 4

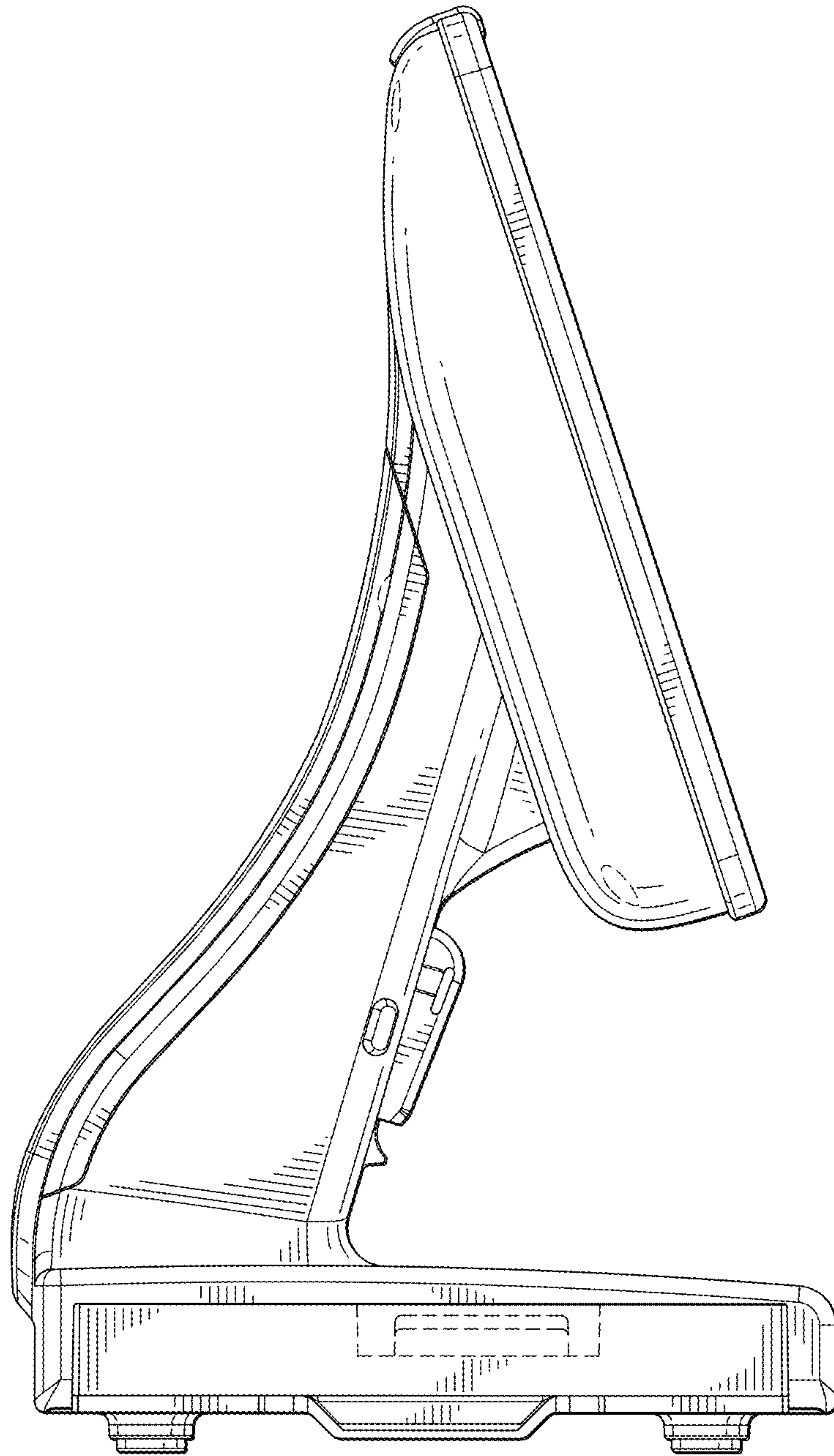


FIG. 5

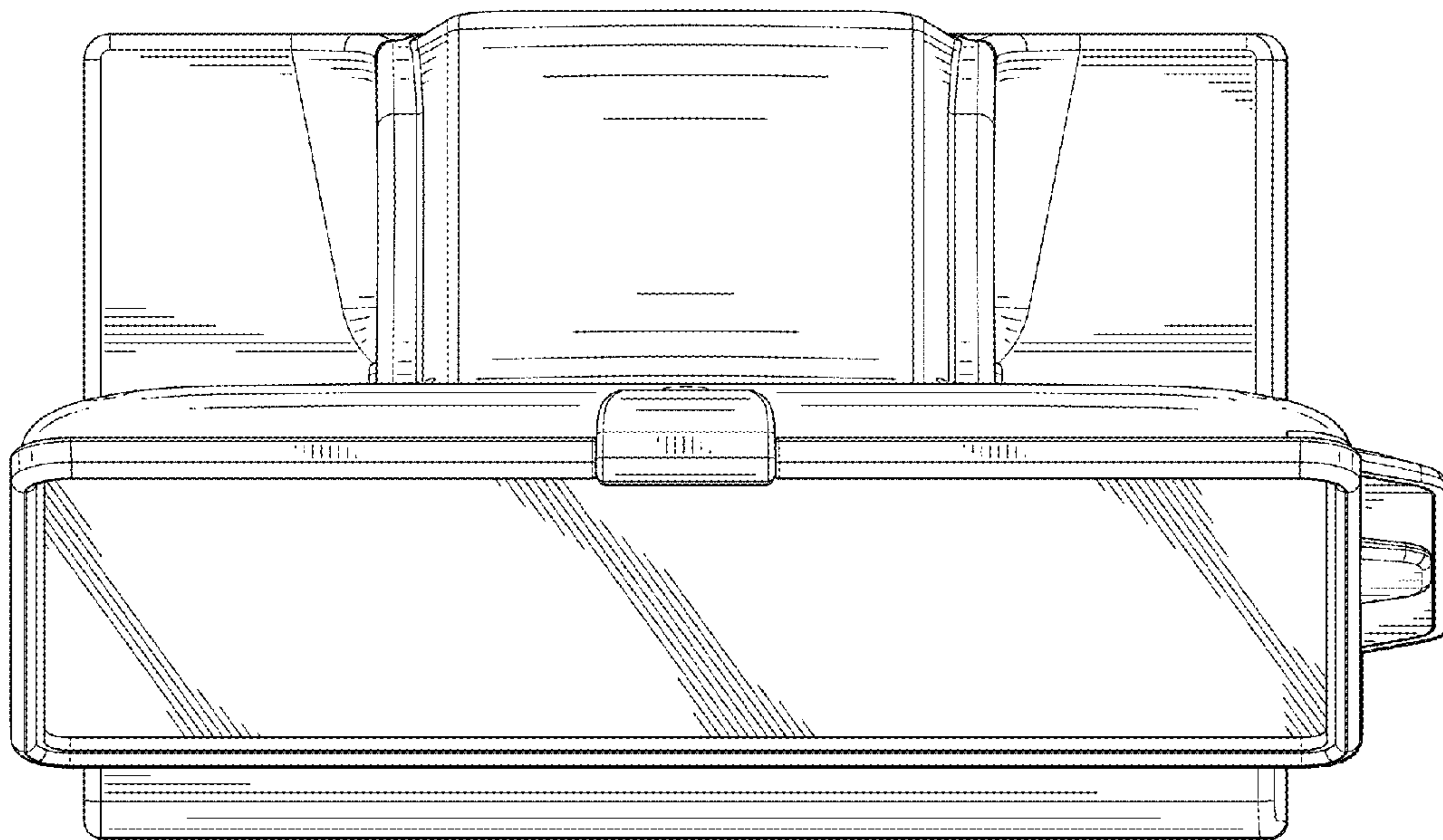


FIG. 6

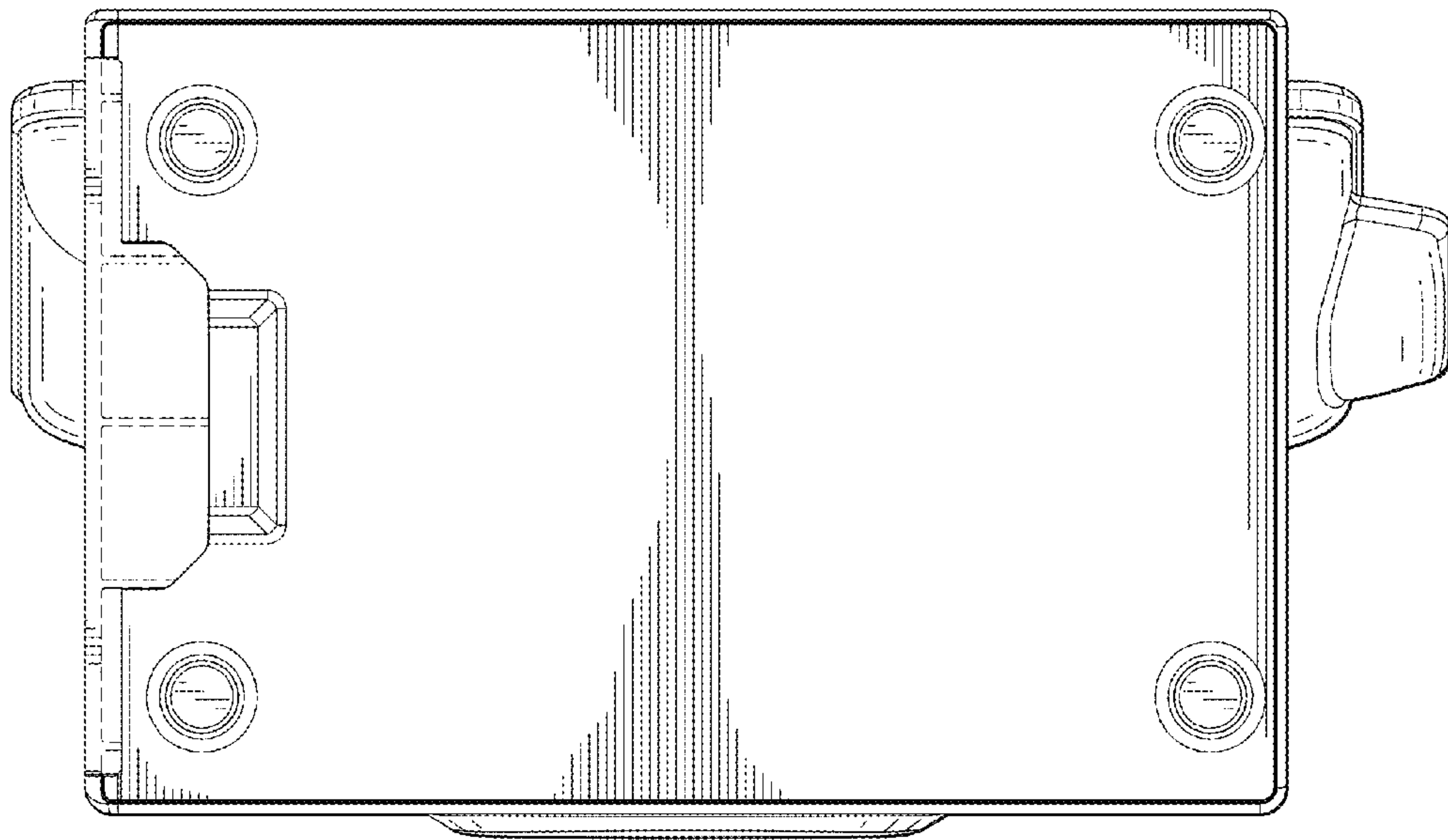


FIG. 7





FIG. 8