



US00D713444S

(12) **United States Design Patent**  
**Lee et al.**

(10) **Patent No.:** **US D713,444 S**  
(45) **Date of Patent:** **\*\* Sep. 16, 2014**

(54) **FOLDABLE GLASSES**

(71) Applicants: **Peng Lee**, Oxford, MS (US); **Karen June Ganovsky**, Windermere, FL (US); **Dianna Varner Seddon**, Oxford, MS (US)

(72) Inventors: **Peng Lee**, Oxford, MS (US); **Karen June Ganovsky**, Windermere, FL (US); **Dianna Varner Seddon**, Oxford, MS (US)

(73) Assignee: **Neckglasses, LLC**, Oxford, MS (US)

(\*\*) Term: **14 Years**

(21) Appl. No.: **29/494,818**

(22) Filed: **Jun. 24, 2014**

(51) **LOC (10) Cl.** ..... **14-03**

(52) **U.S. Cl.**  
USPC ..... **D16/303; D16/317**

(58) **Field of Classification Search**  
CPC ..... **G02C 5/006; G02C 5/08**  
USPC ..... **D14/125-134, 239, 371, 136, 374-377, D14/440, 450, 448, 336, 342, 159, 372; 312/7.2; D16/101, 300-342; 351/41, 351/44, 158; D10/15, 26; 446/484, 175, 446/356; D6/477, 479, 300**  
See application file for complete search history.

(56) **References Cited**

**U.S. PATENT DOCUMENTS**

|           |    |   |         |                 |       |         |
|-----------|----|---|---------|-----------------|-------|---------|
| D76,602   | S  | * | 10/1928 | Bouchard        | ..... | D16/317 |
| D92,093   | S  | * | 4/1934  | Kane            | ..... | D16/317 |
| D92,926   | S  | * | 7/1934  | Reynolds        | ..... | D16/317 |
| 5,028,126 | A  | * | 7/1991  | Takeuchi        | ..... | 351/63  |
| D327,081  | S  | * | 6/1992  | Nakamura et al. | ..... | D16/313 |
| 5,384,604 | A  | * | 1/1995  | Chang           | ..... | 351/63  |
| D357,931  | S  | * | 5/1995  | Tanner          | ..... | D16/317 |
| 5,532,766 | A  | * | 7/1996  | Mateer et al.   | ..... | 351/63  |
| D417,882  | S  | * | 12/1999 | Merhazion       | ..... | D16/303 |
| 6,494,573 | B1 | * | 12/2002 | Huang           | ..... | 351/63  |
| 6,540,349 | B1 | * | 4/2003  | Liesegang       | ..... | 351/63  |
| D704,763  | S  | * | 5/2014  | Keller et al.   | ..... | D16/303 |
| D705,847  | S  | * | 5/2014  | Szymanski       | ..... | D16/303 |

\* cited by examiner

*Primary Examiner* — Raphael Barkai

(74) *Attorney, Agent, or Firm* — Harris, Shelton, Hanover & Walsh; Susan B. Fentress

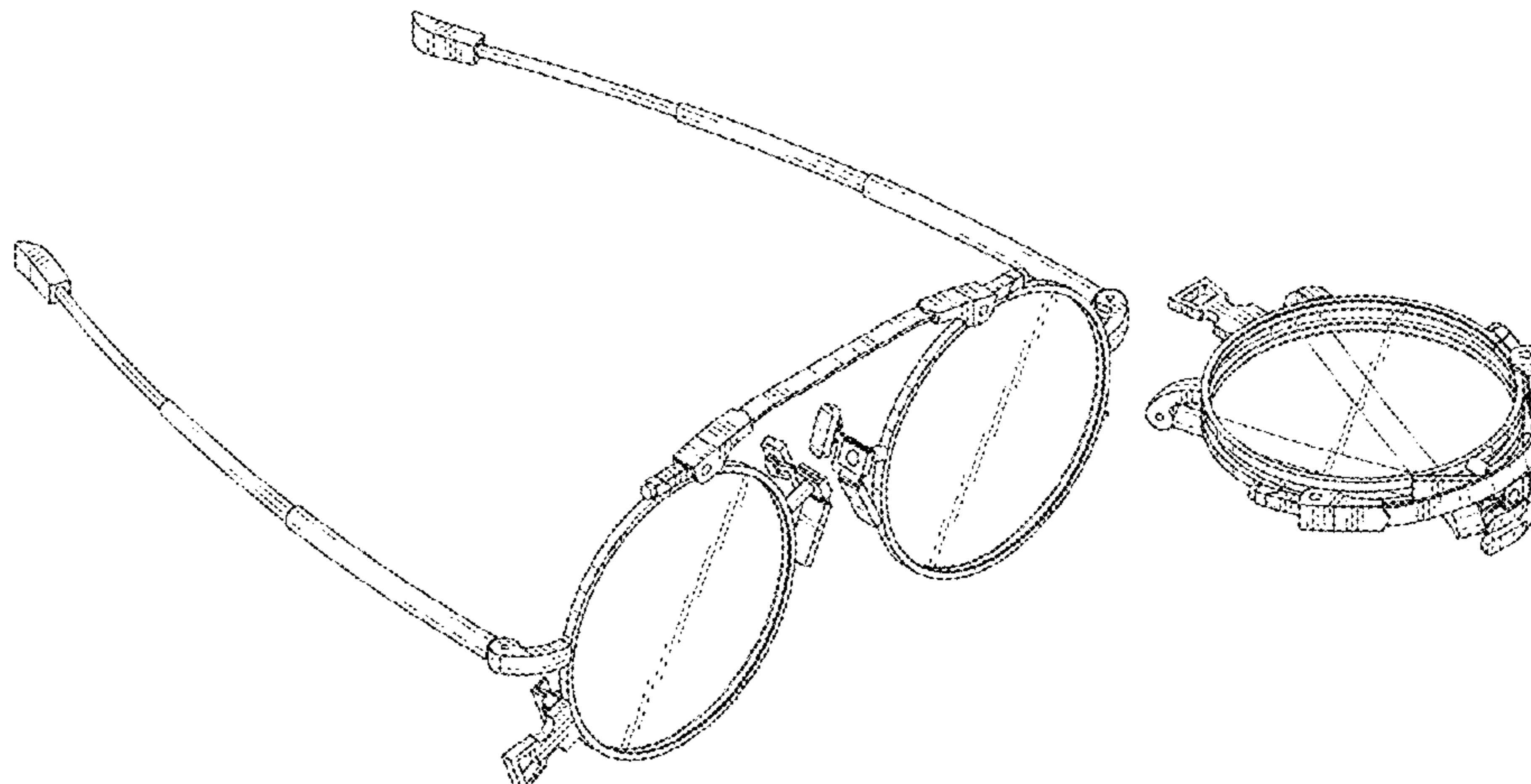
(57) **CLAIM**

The ornamental design for foldable glasses, as shown and described.

**DESCRIPTION**

FIG. 1 is an isomeric view showing our new design in the open configuration;  
 FIG. 2 is a front view showing our new design in the open configuration;  
 FIG. 3 is a right side elevational view showing our new design in the open configuration;  
 FIG. 4 is a rear view showing our new design in the open configuration;  
 FIG. 5 is a left side elevational view showing our new design in the open configuration;  
 FIG. 6 is a top view showing our new design in the open configuration;  
 FIG. 7 is a bottom view showing our new design in the open configuration;  
 FIG. 8 is an isomeric view showing our new design in the folded configuration;  
 FIG. 9 is a front view showing our new design in the folded configuration;  
 FIG. 10 is a right view showing our new design in the folded configuration;  
 FIG. 11 is a rear view showing our new design in the folded configuration;  
 FIG. 12 is a left side view showing our new design in the folded configuration;  
 FIG. 13 is a top view showing our new design in the folded configuration; and,  
 FIG. 14 is a bottom view showing our new design in the folded configuration.  
 Any broken lines shown in the drawings are for illustrative purposes only and form no part of the claimed design.

**1 Claim, 7 Drawing Sheets**



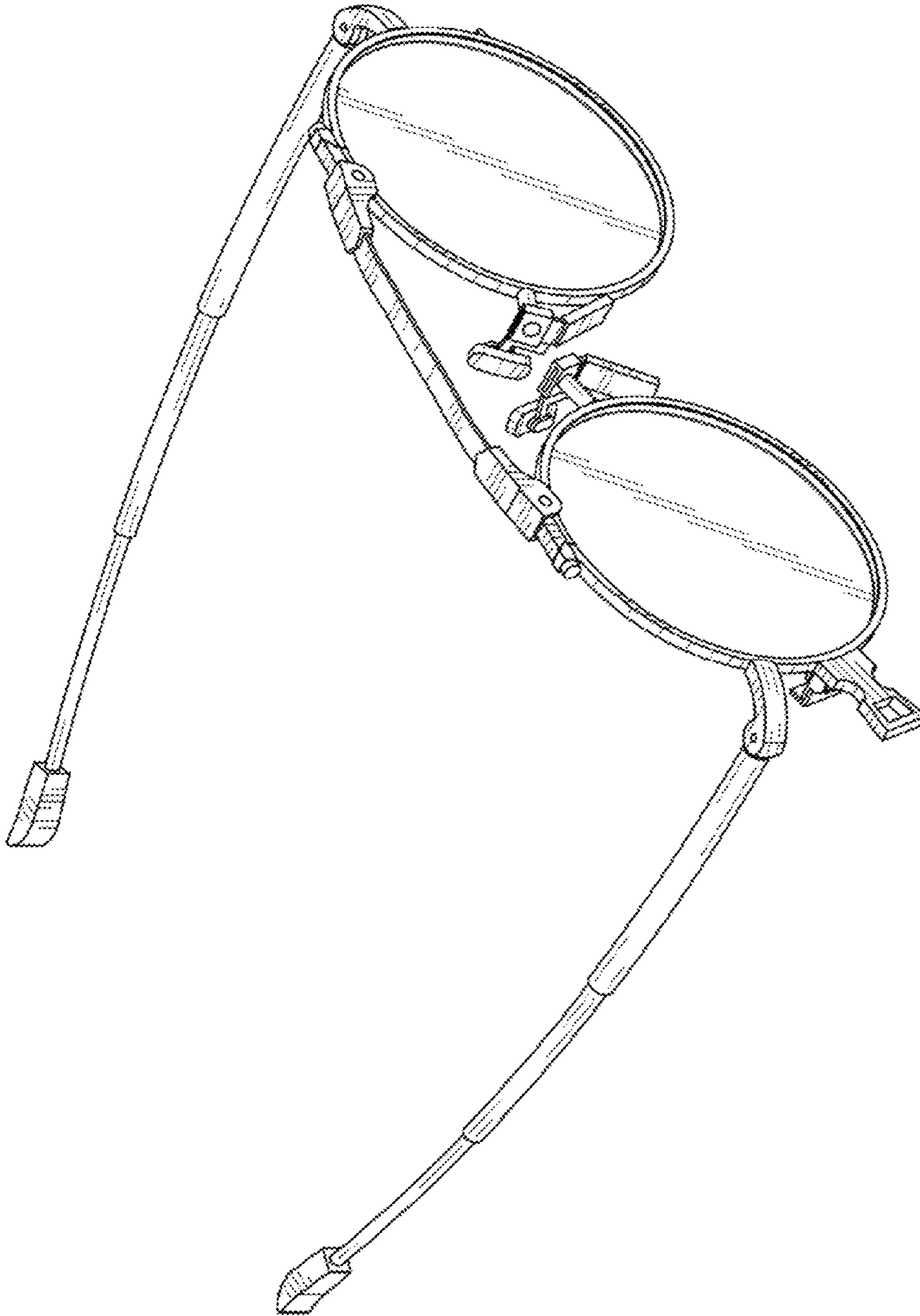


FIG. 1

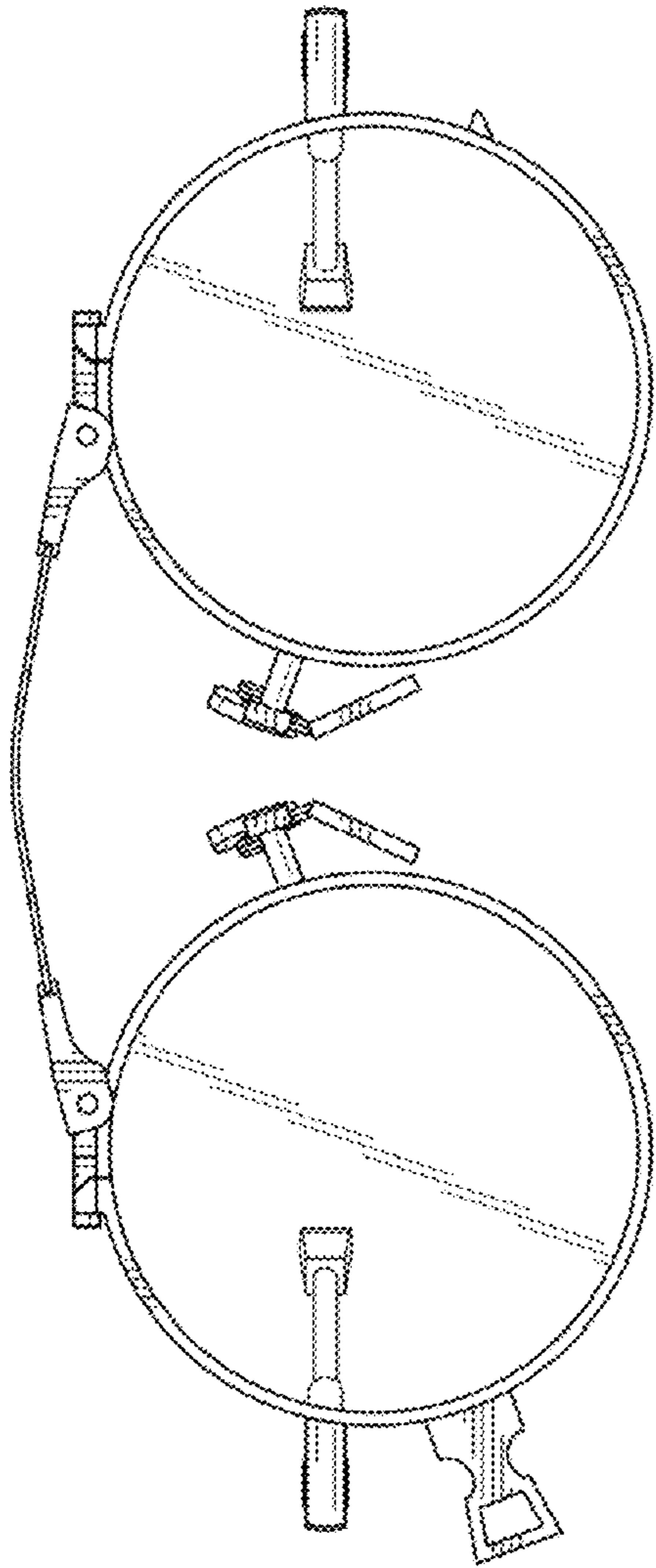


FIG. 2

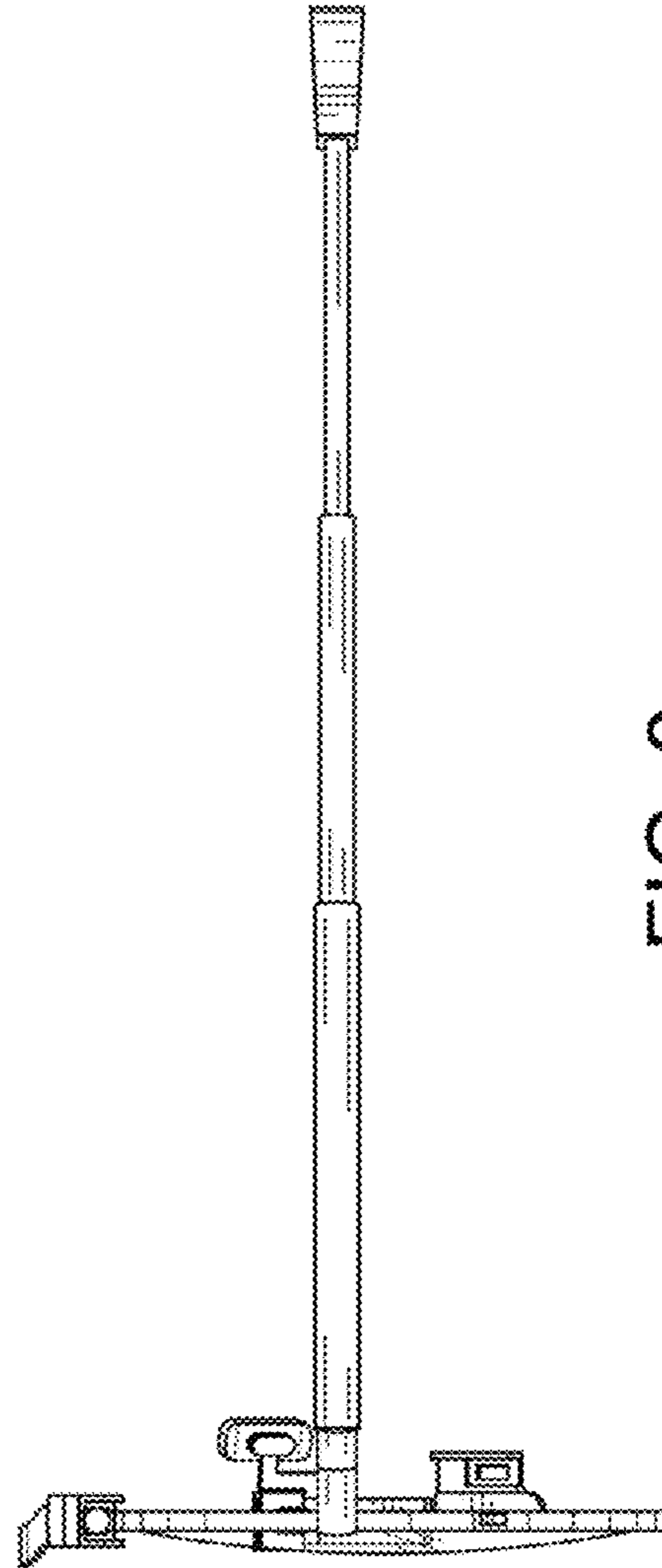


FIG. 3

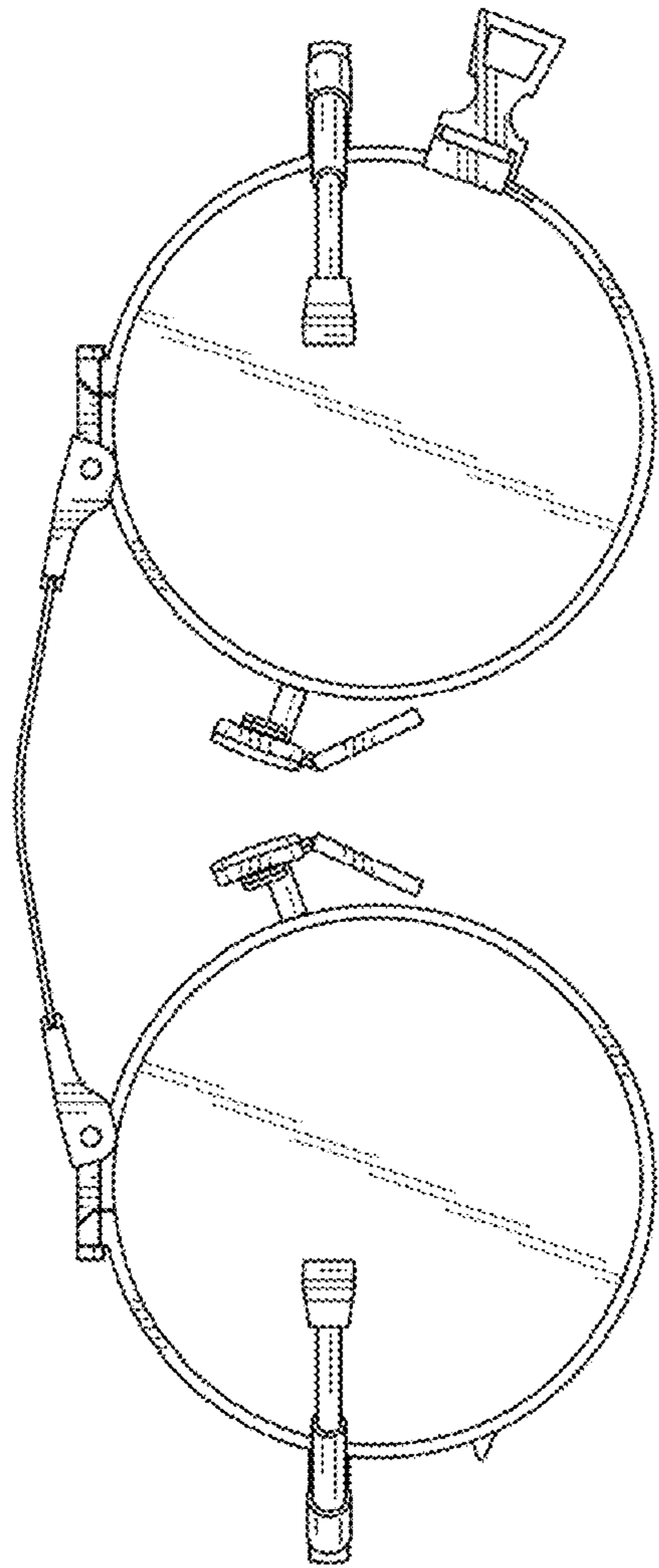


FIG. 4

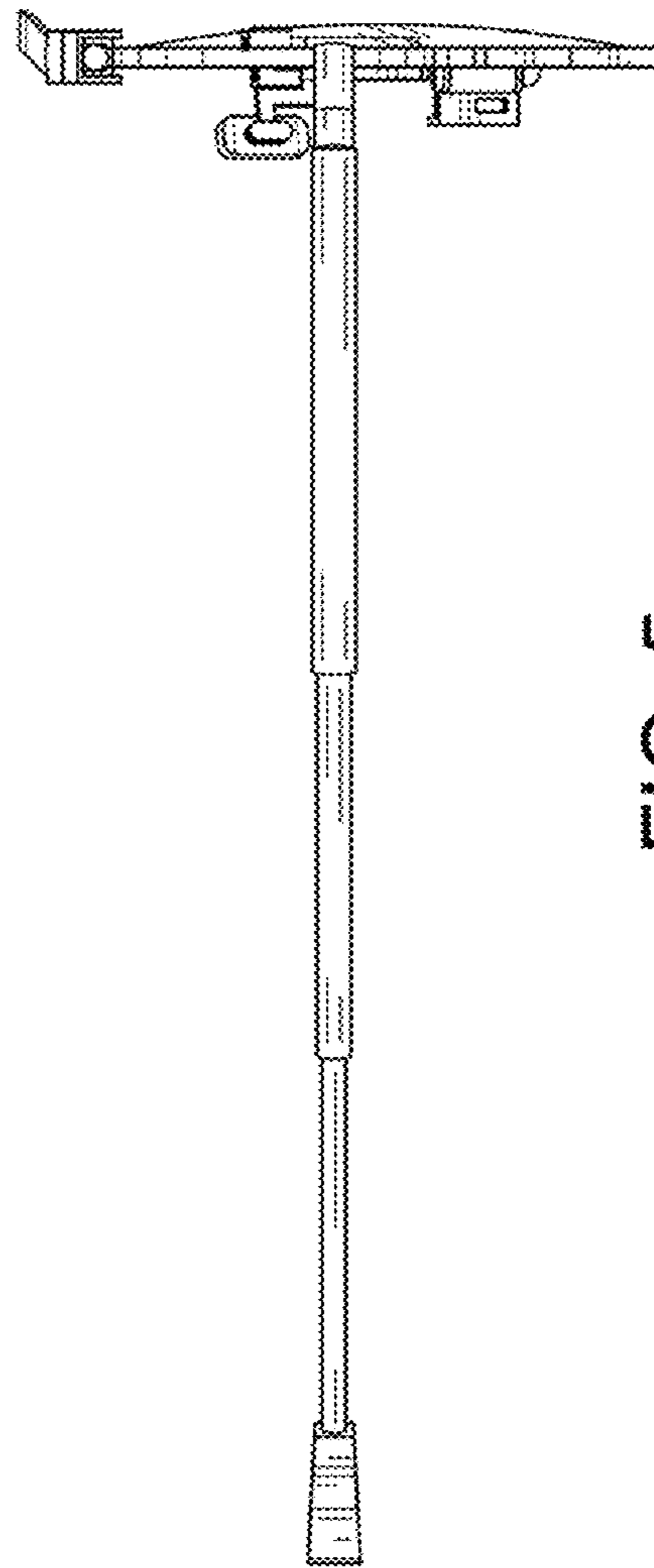


FIG. 5

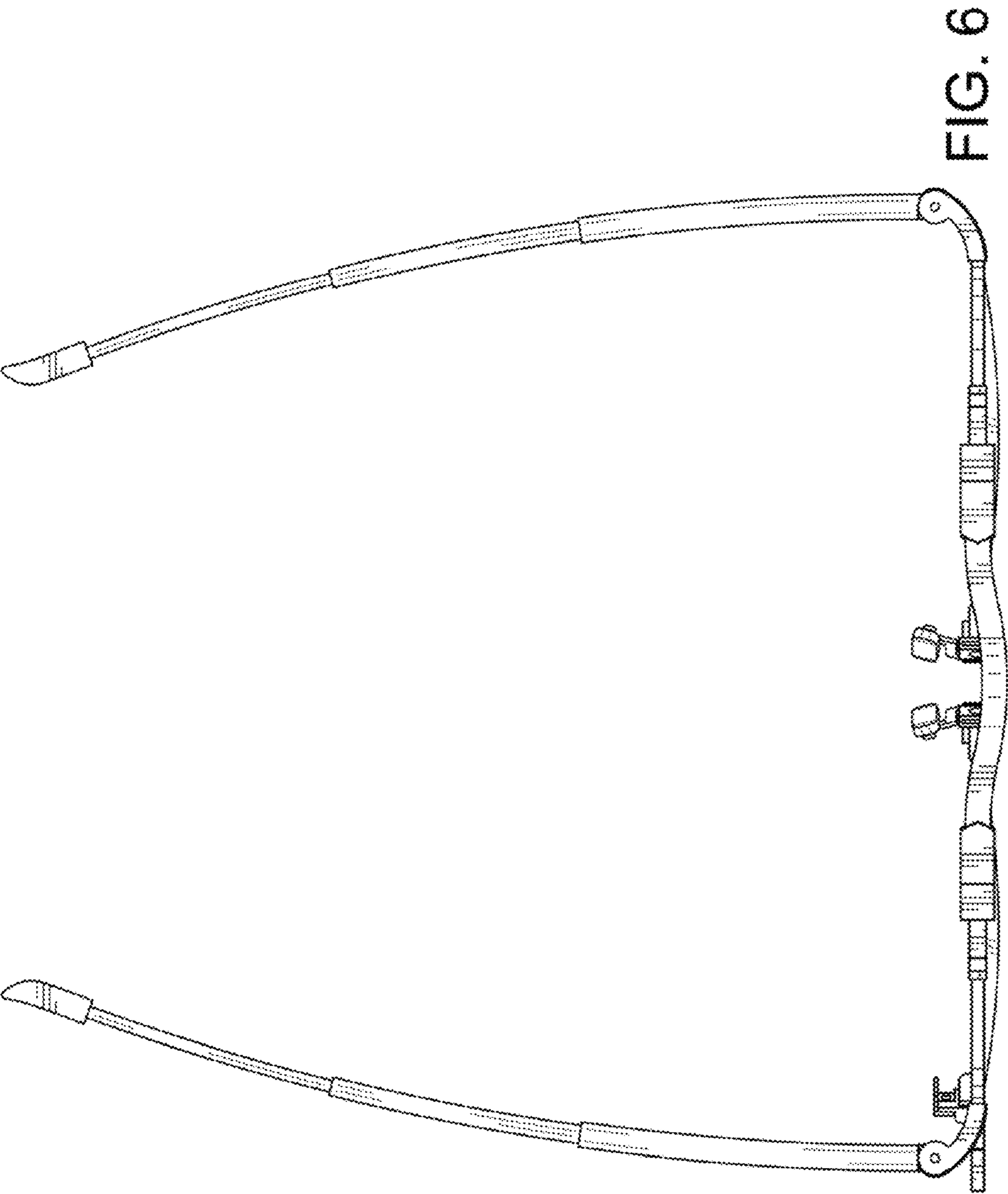


FIG. 6

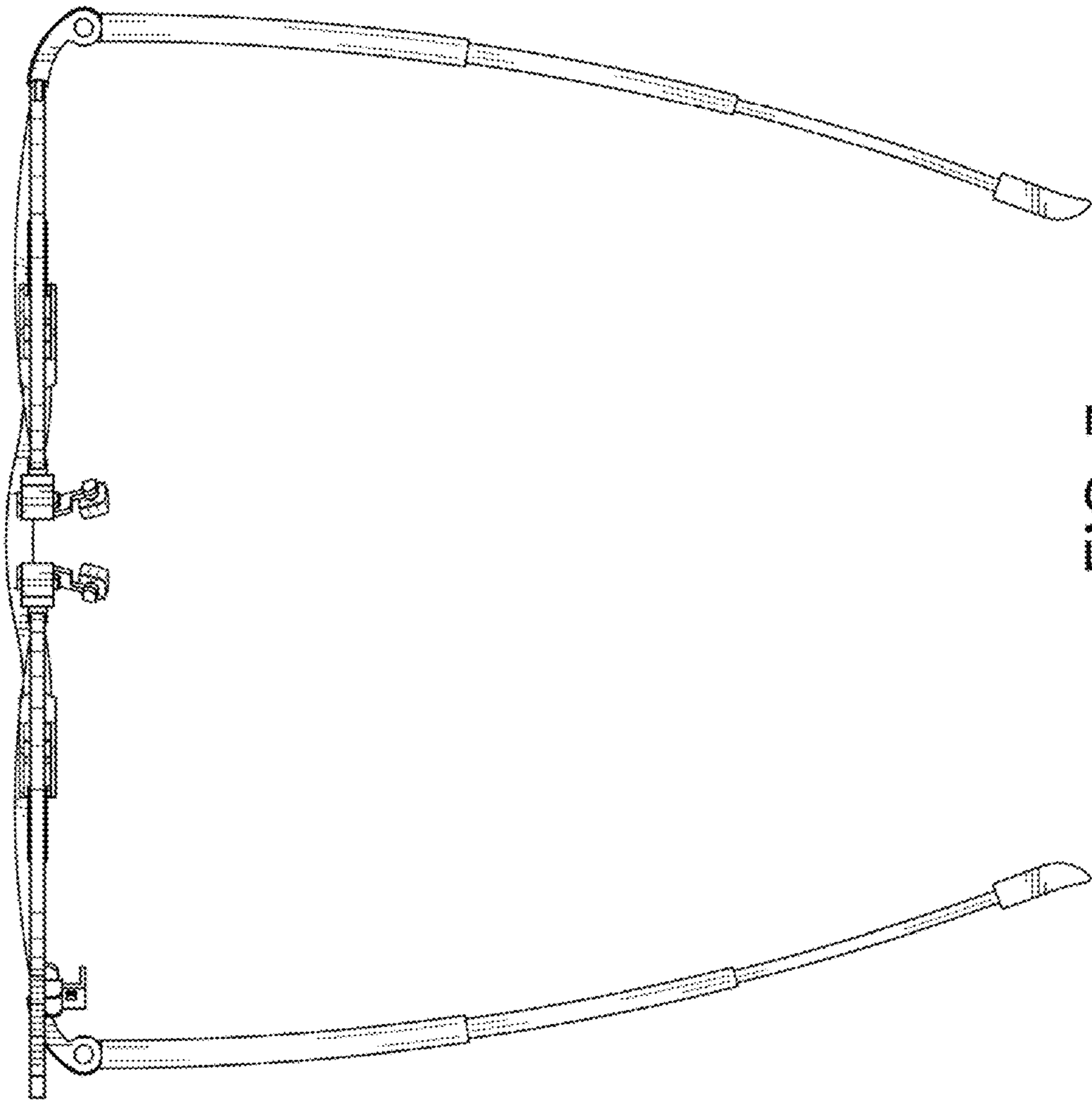


FIG. 7

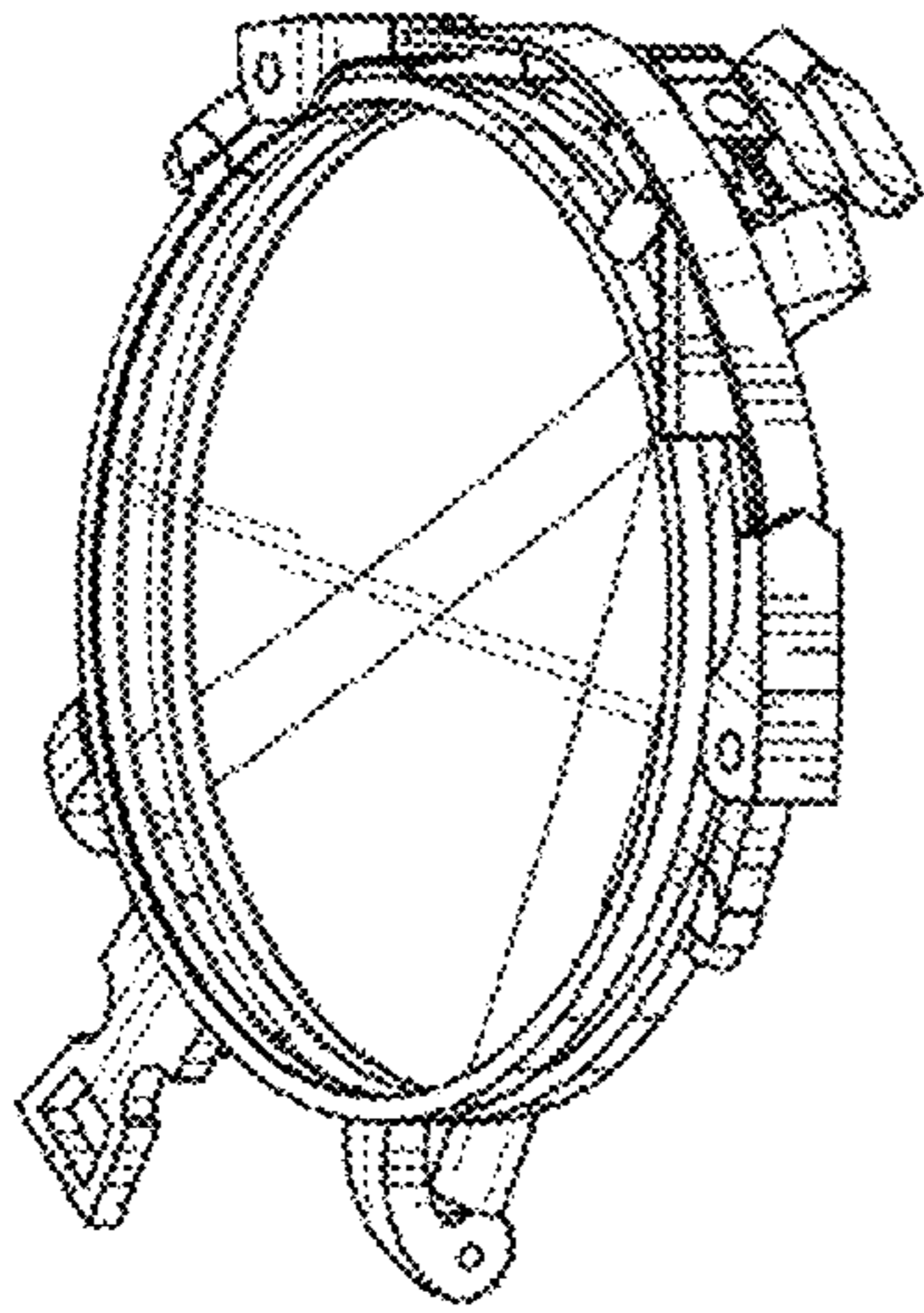


FIG. 8

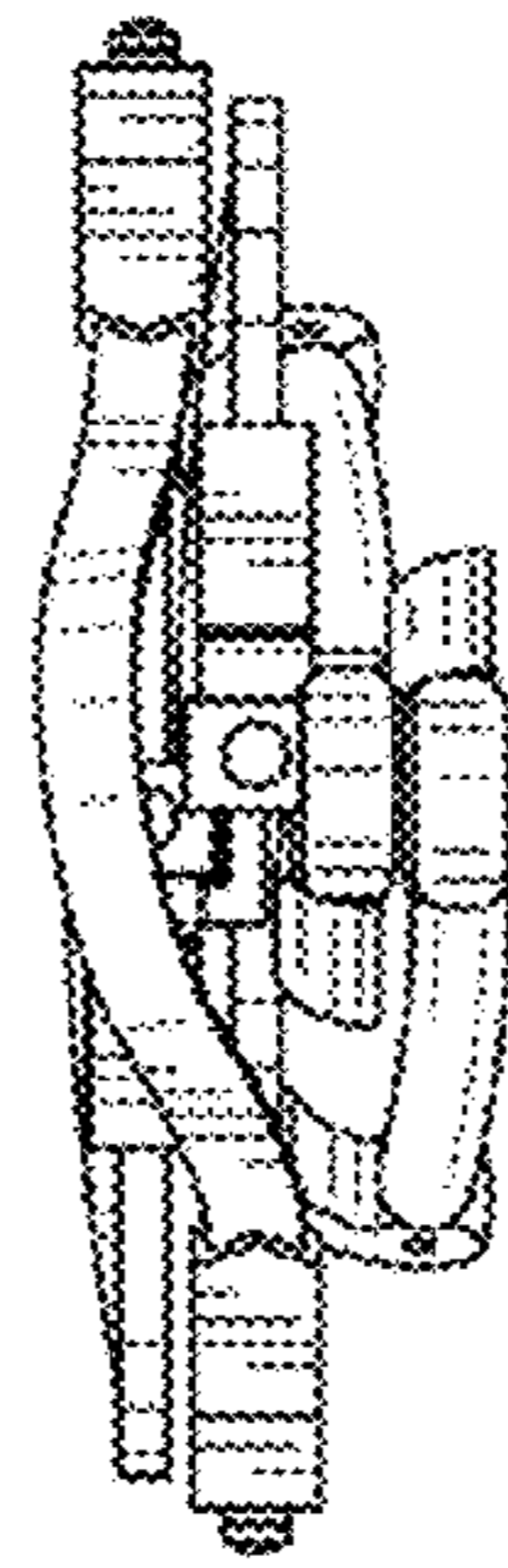


FIG. 9

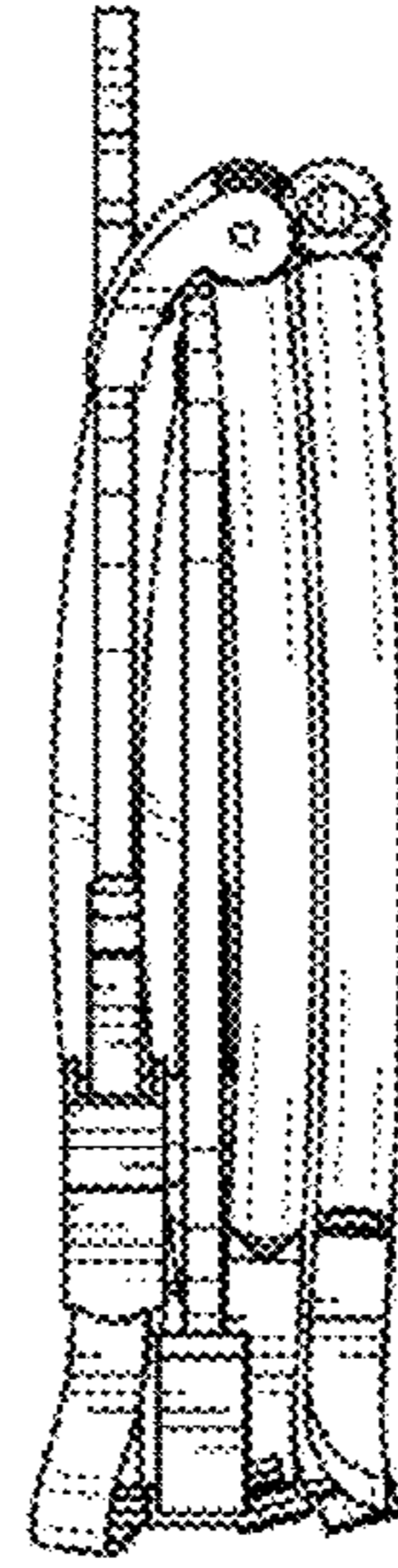


FIG. 10

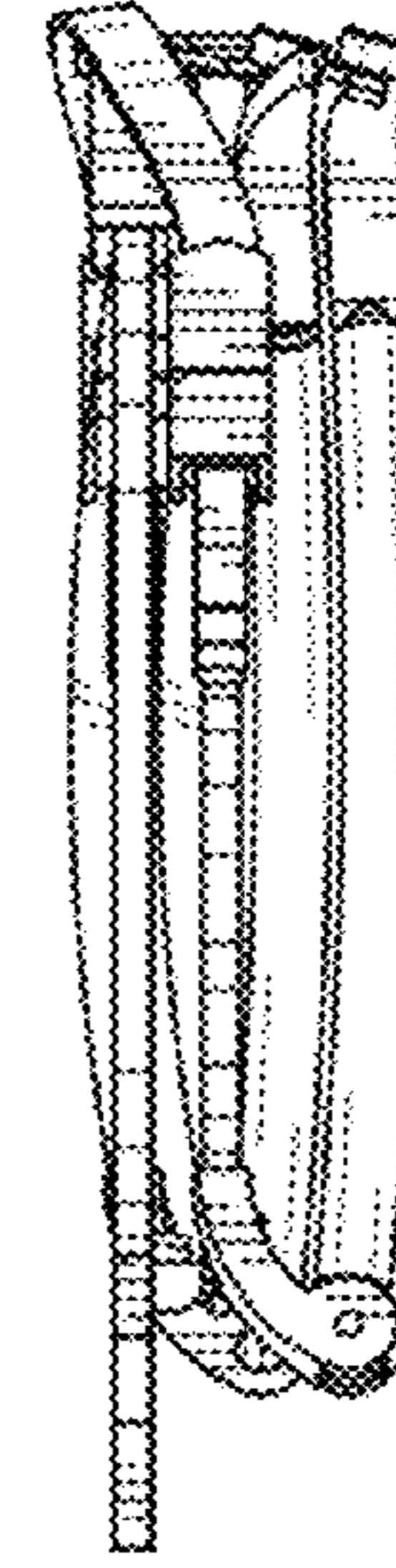


FIG. 12

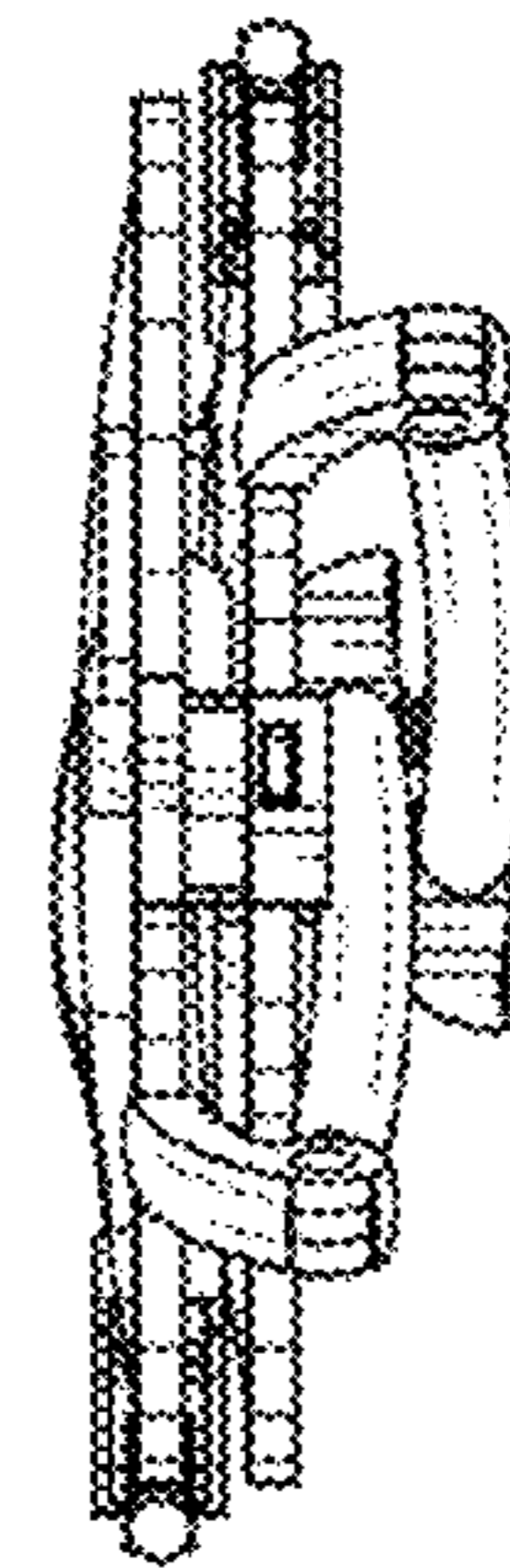


FIG. 11

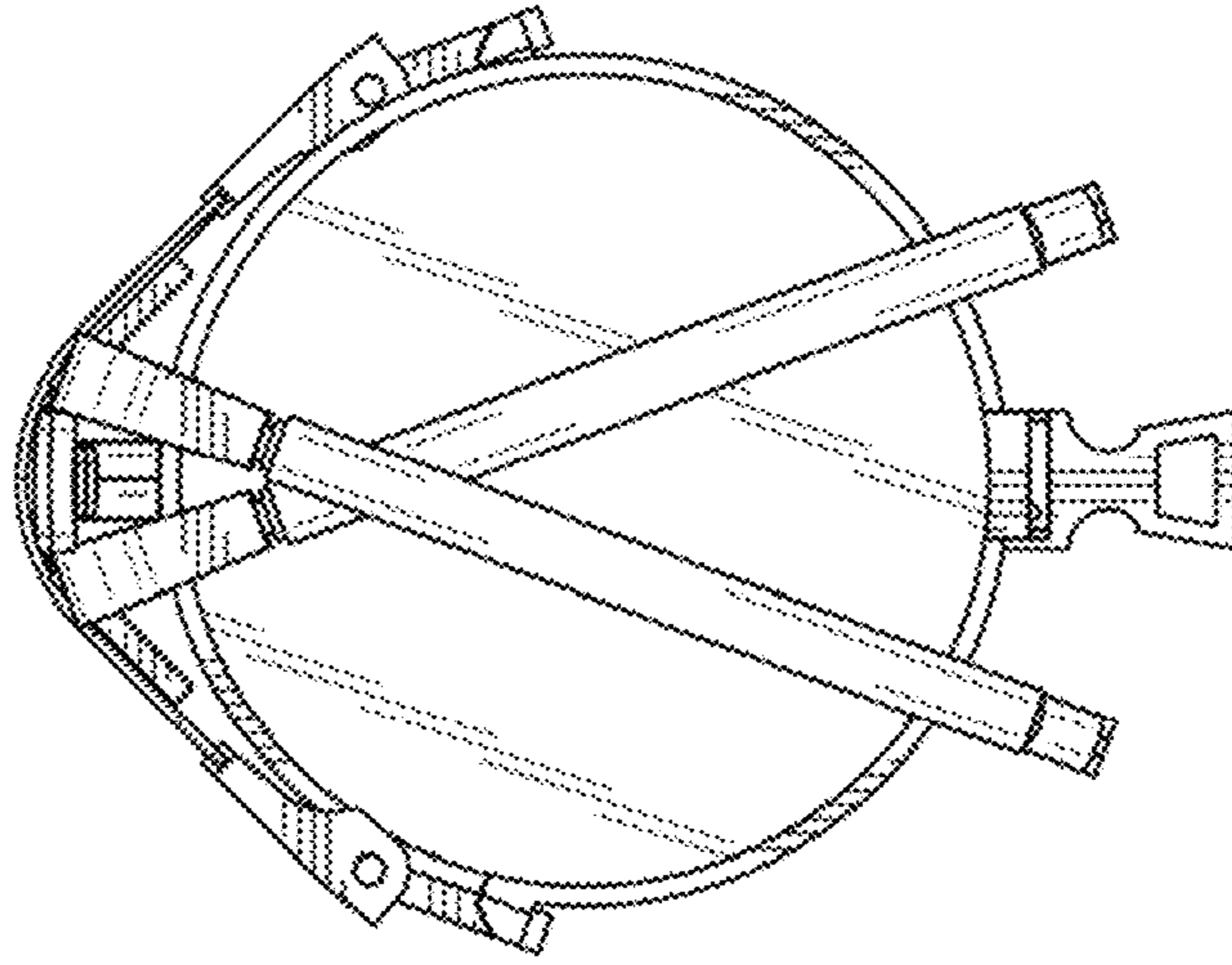


FIG. 14

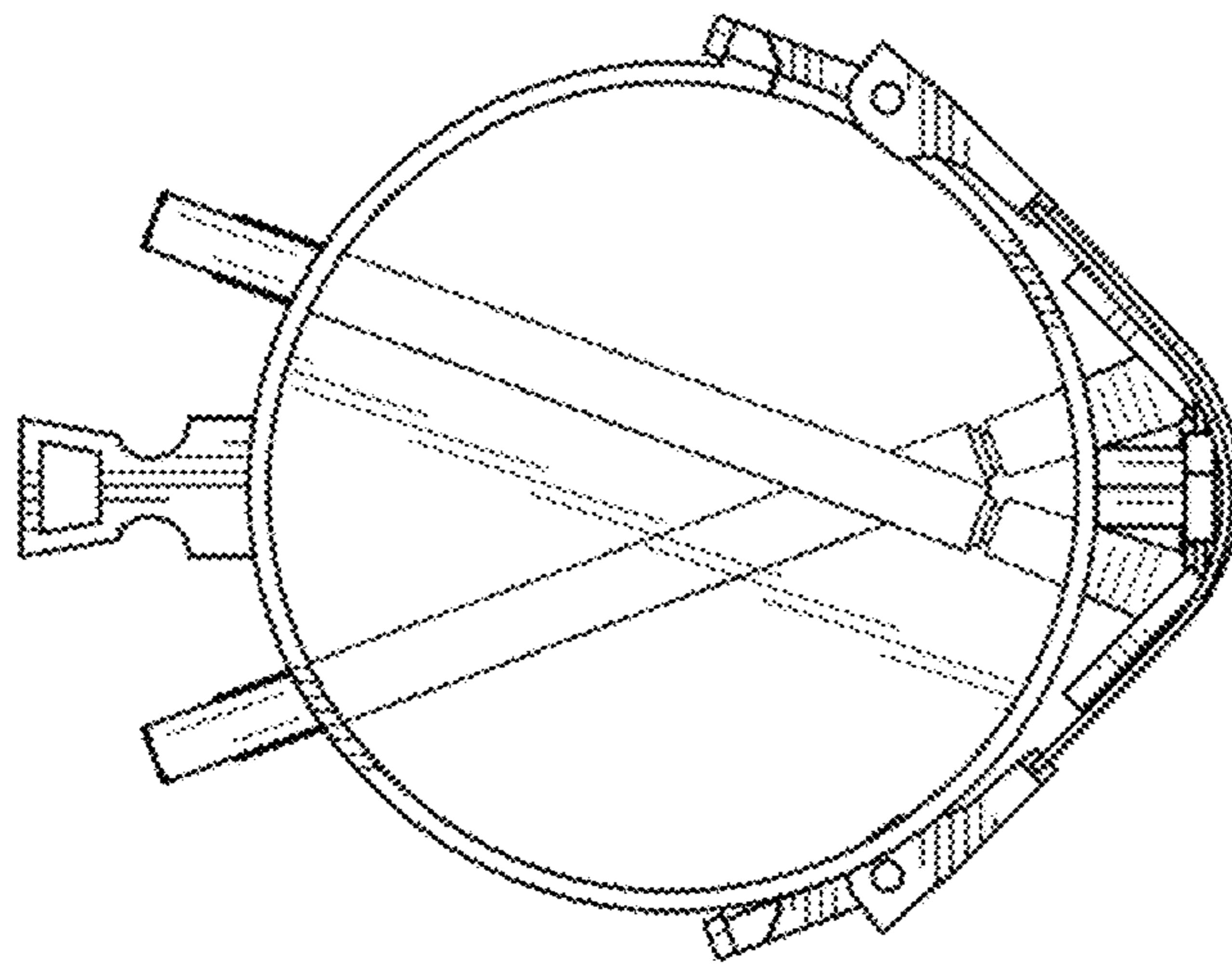


FIG. 13