



US00D713443S

(12) **United States Design Patent**  
**Fliger et al.**

(10) **Patent No.:** **US D713,443 S**  
(45) **Date of Patent:** **\*\* Sep. 16, 2014**

(54) **CAMERA MOUNTING PLATE WITH  
DEPLOYABLE ATTACHMENT POINT**

FOREIGN PATENT DOCUMENTS

(71) Applicants: **David Fliger**, Minneapolis, MN (US);  
**Lynn Fliger**, Minneapolis, MN (US)

JP D1351036 \* 1/2008

\* cited by examiner

(72) Inventors: **David Fliger**, Minneapolis, MN (US);  
**Lynn Fliger**, Minneapolis, MN (US)

*Primary Examiner* — Susan Bennett Hattan

*Assistant Examiner* — Leanne Was

(\*\*) Term: **14 Years**

(74) *Attorney, Agent, or Firm* — Geiser Law, PLLC; Greg N. Geiser

(21) Appl. No.: **29/458,139**

(57) **CLAIM**

The ornamental design for a camera mounting plate with deployable attachment point, as shown and described.

(22) Filed: **Jun. 17, 2013**

**DESCRIPTION**

(51) **LOC (10) Cl.** ..... **16-05**

(52) **U.S. Cl.**  
USPC ..... **D16/250**

(58) **Field of Classification Search**  
USPC ..... D16/242, 250; 248/177.1, 187.1,  
248/223.41; 396/419, 420, 422, 428  
See application file for complete search history.

FIG. 1 is a top plan view of the new design of a camera mounting plate with deployable attachment point;  
FIG. 2 is a front side view thereof, the rear side view being a mirror image thereof;  
FIG. 3 is a right side view thereof;  
FIG. 4 is a left side view thereof;  
FIG. 5 is a bottom view thereof;  
FIG. 6 is a top plan view with the attachment point deployed thereof;  
FIG. 7 is a front side view with the attachment point deployed thereof, the rear side view being a mirror image thereof;  
FIG. 8 is a right side view with the attachment point deployed thereof;  
FIG. 9 is a left side view with the attachment point deployed thereof; and,  
FIG. 10 is a bottom view with the attachment point deployed thereof.

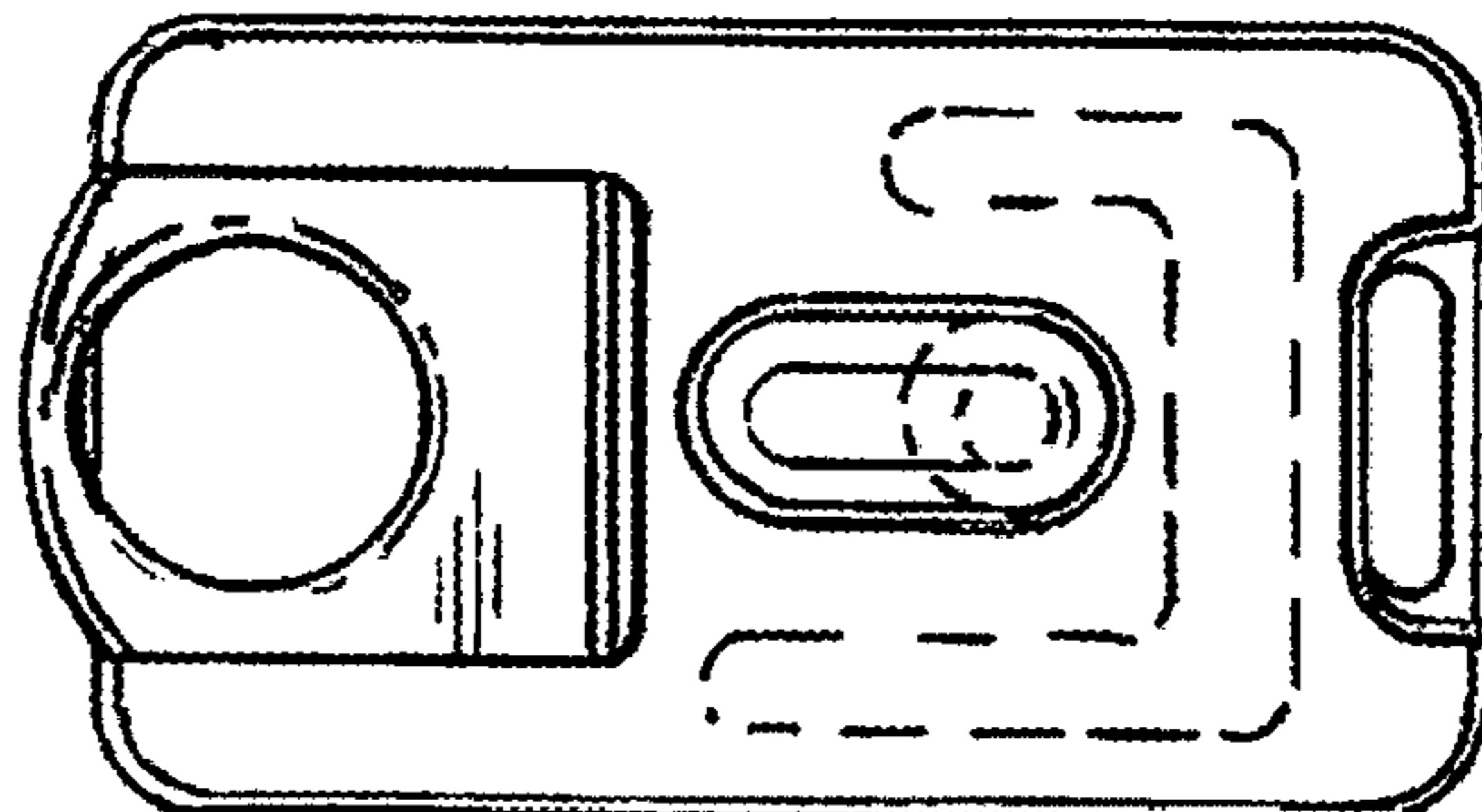
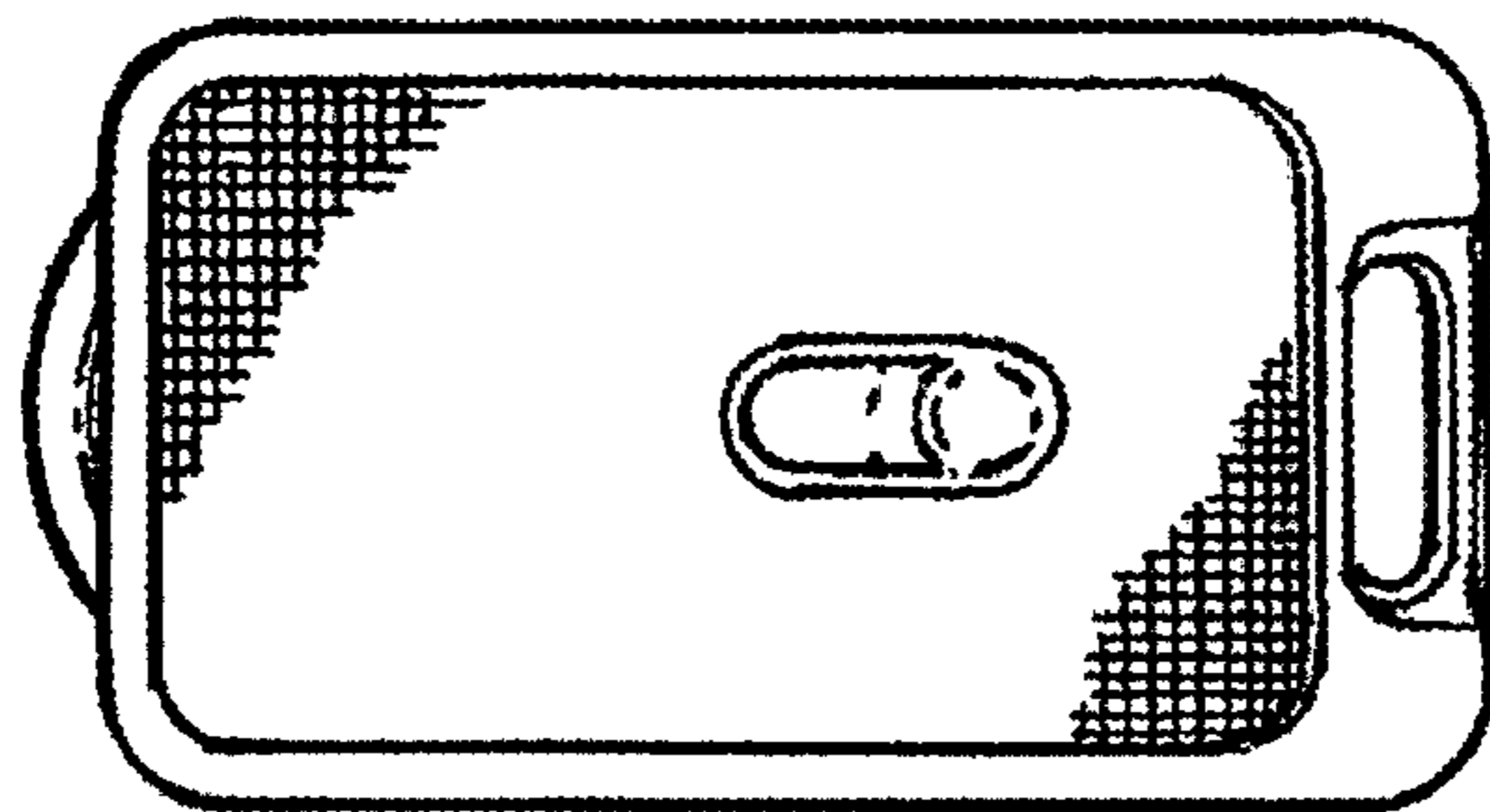
(56) **References Cited**

U.S. PATENT DOCUMENTS

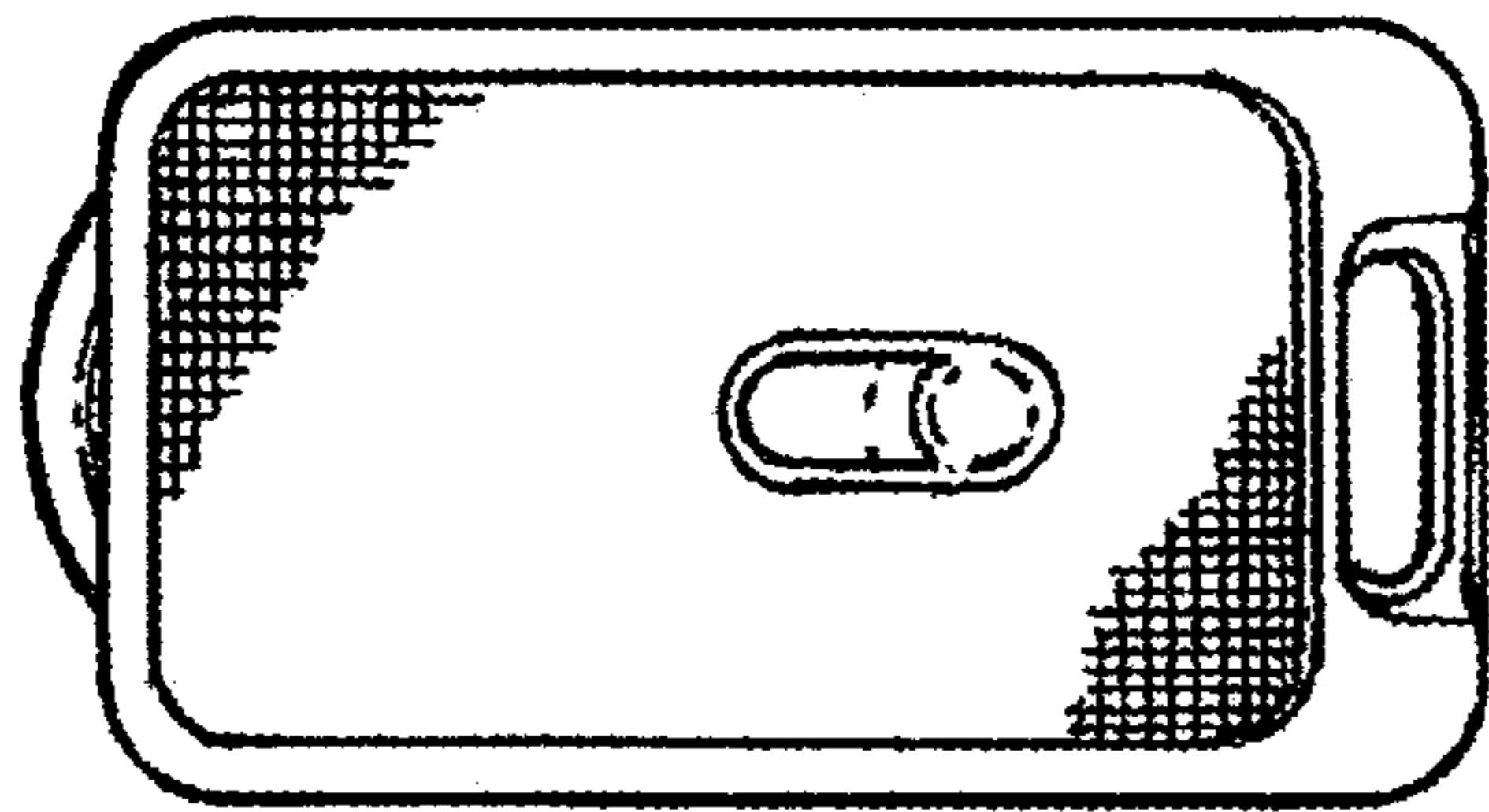
D279,788	S	*	7/1985	Io	.....	D16/209
D306,870	S	*	3/1990	Overstreet	.....	D16/219
6,196,504	B1	*	3/2001	Lemke	.....	248/187.1
D470,522	S	*	2/2003	Friedricks et al.	.....	D16/211
6,779,932	B2	*	8/2004	DeSorbo et al.	.....	396/419
8,356,948	B2	*	1/2013	Onishi et al.	.....	396/419
D678,753	S	*	3/2013	Ann	.....	D8/354
D689,114	S	*	9/2013	Green et al.	.....	D16/242
8,573,865	B2	*	11/2013	Chamberlayne	.....	396/419
2005/0052567	A1	*	3/2005	Huang et al.	.....	348/373
2014/0158845	A1	*	6/2014	Fliger et al.	.....	248/309.1

The broken lines in all views depict environment only and form no part of the claimed design.

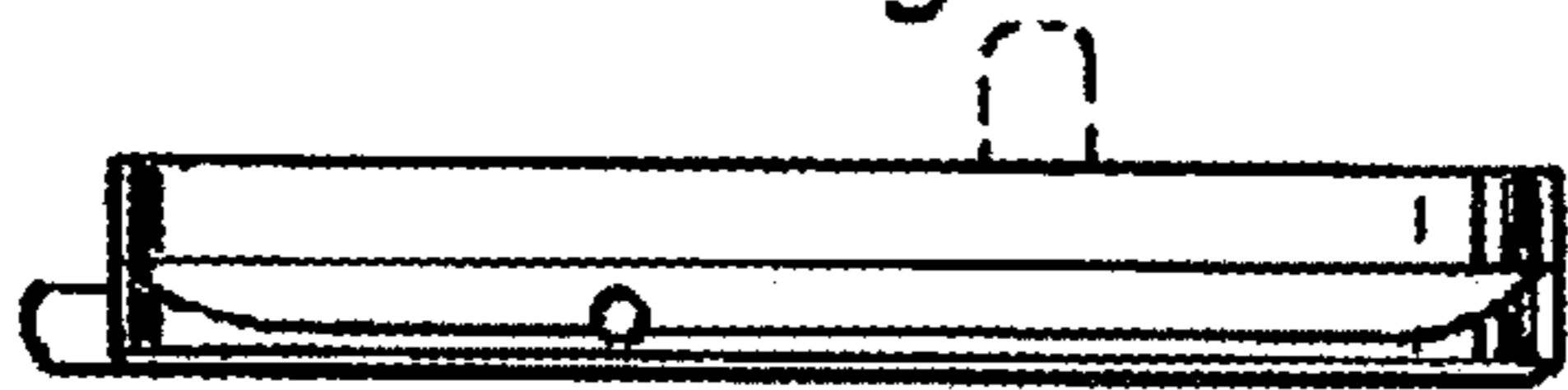
**1 Claim, 2 Drawing Sheets**



*Fig. 1*



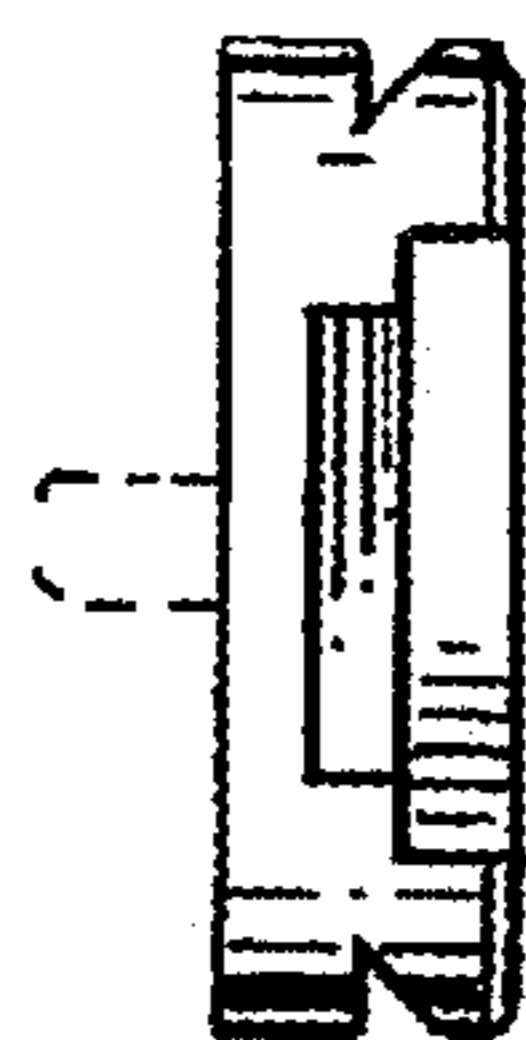
*Fig. 2*



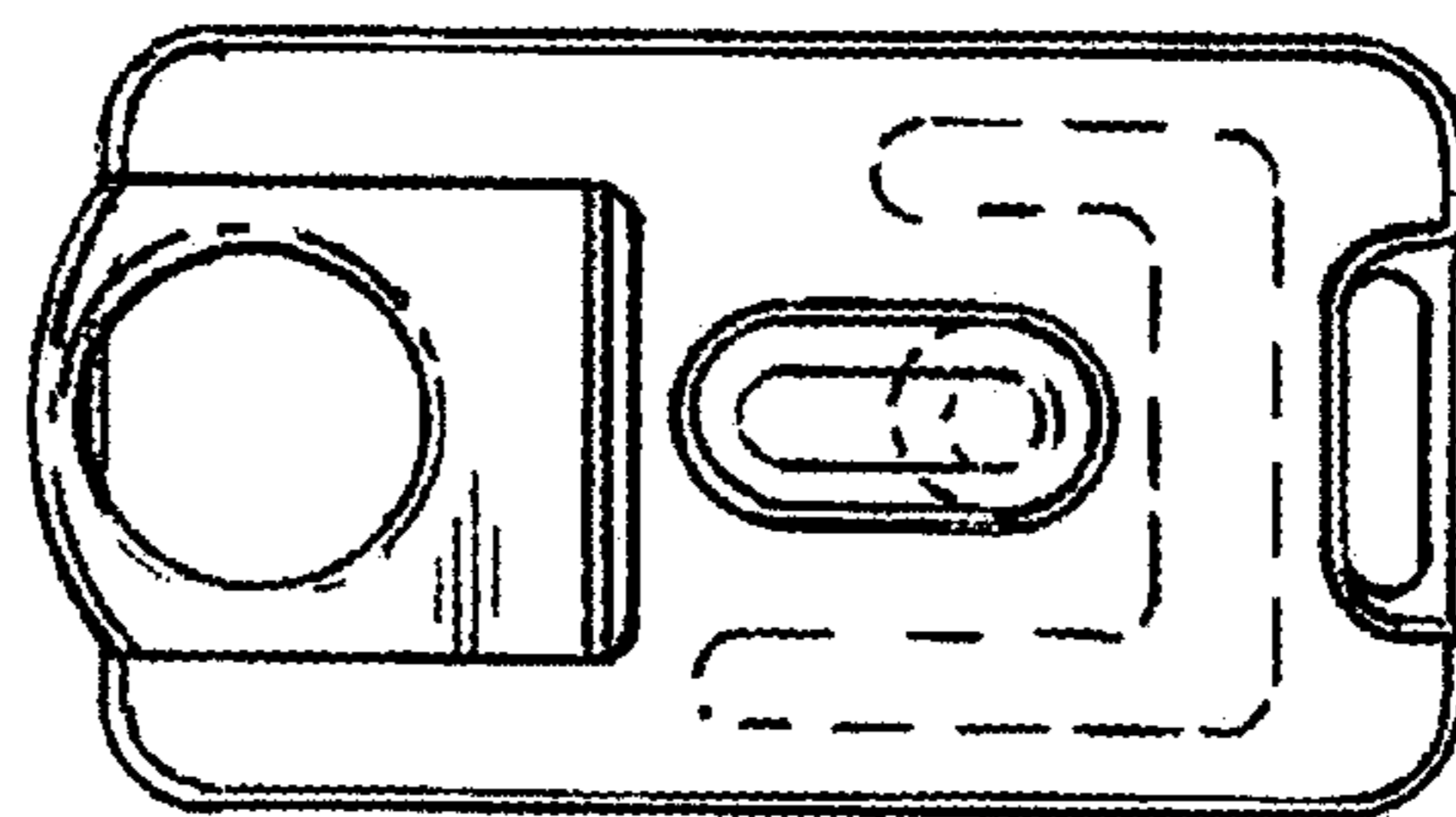
*Fig. 3*



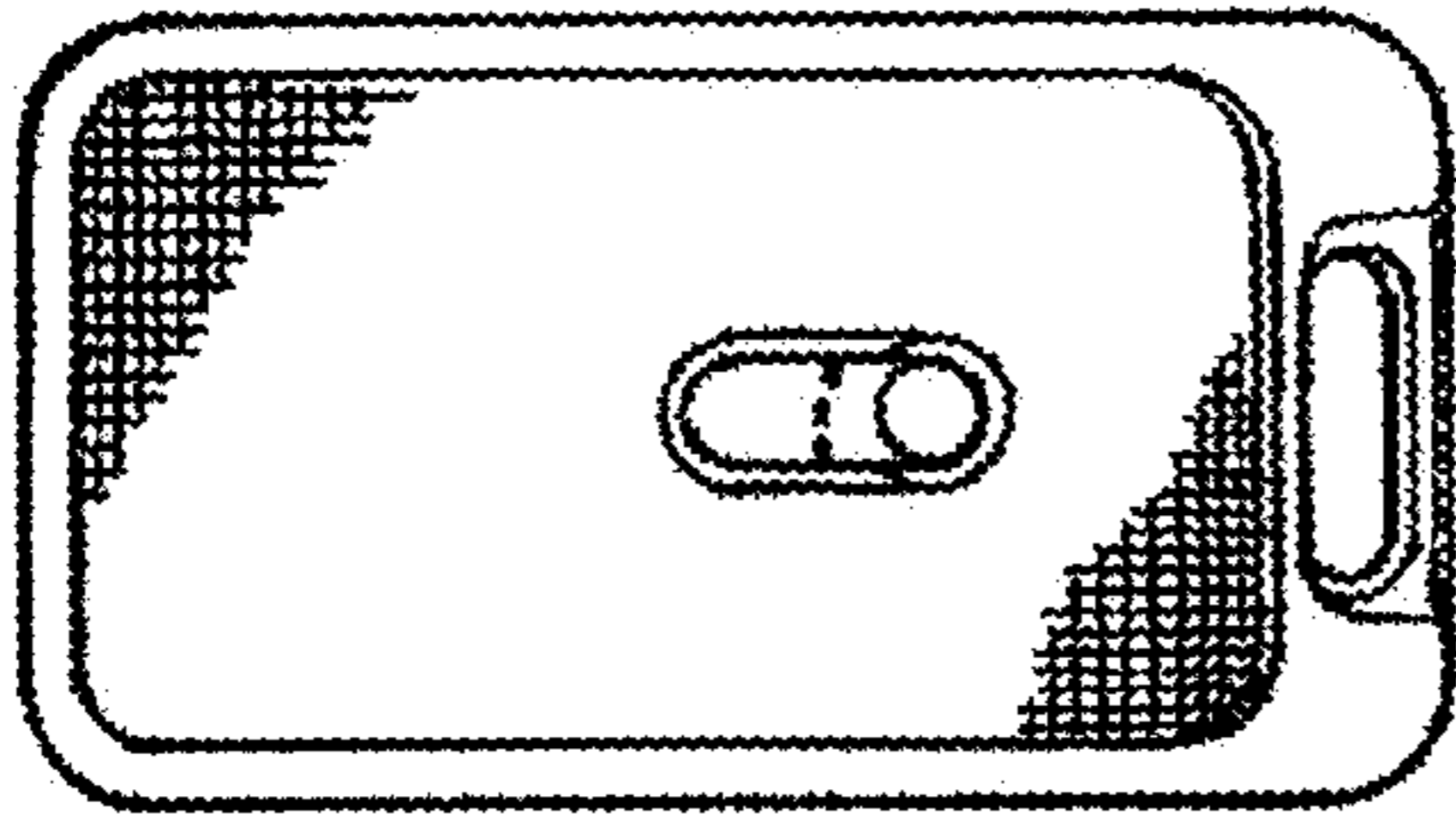
*Fig. 4*



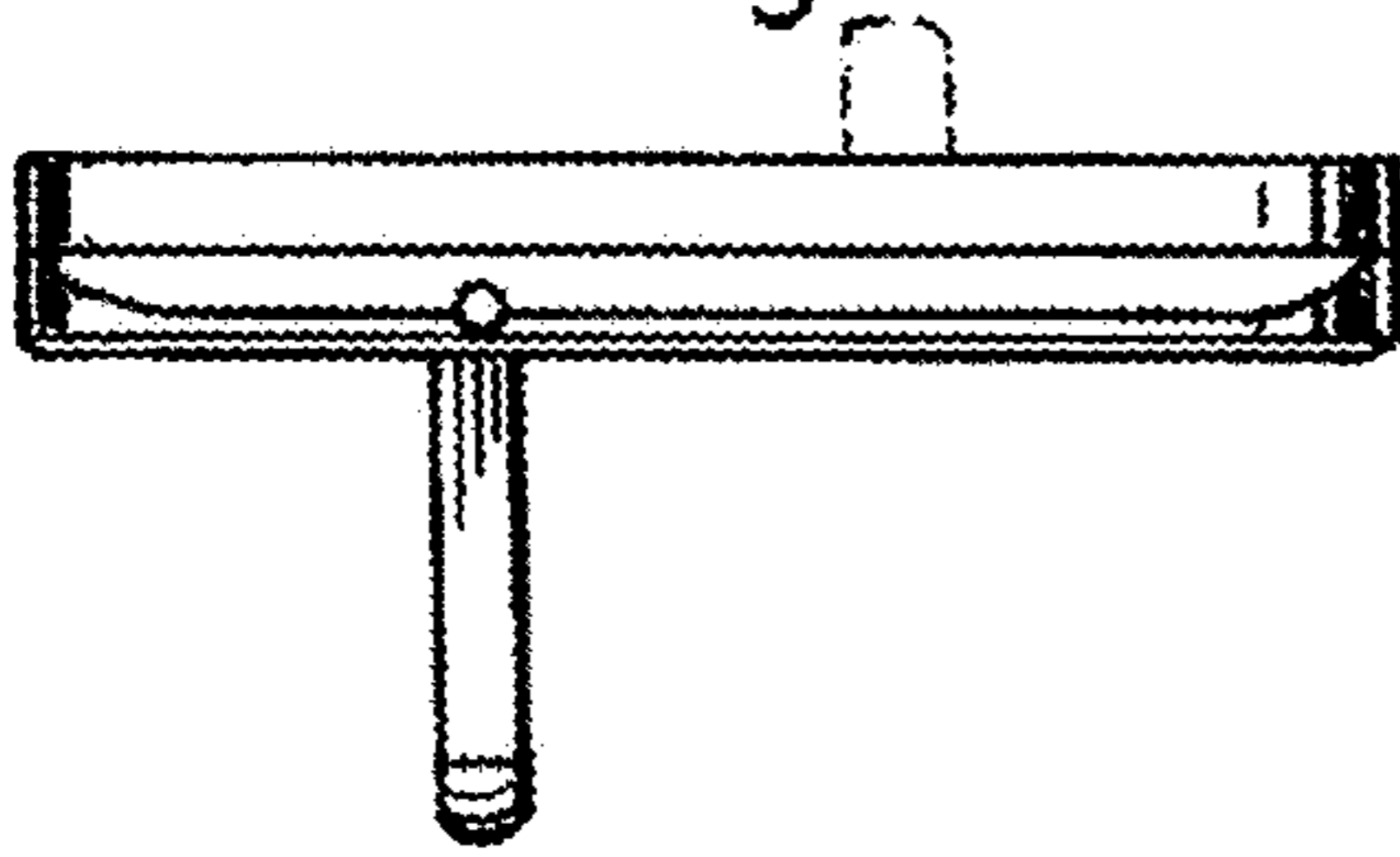
*Fig. 5*



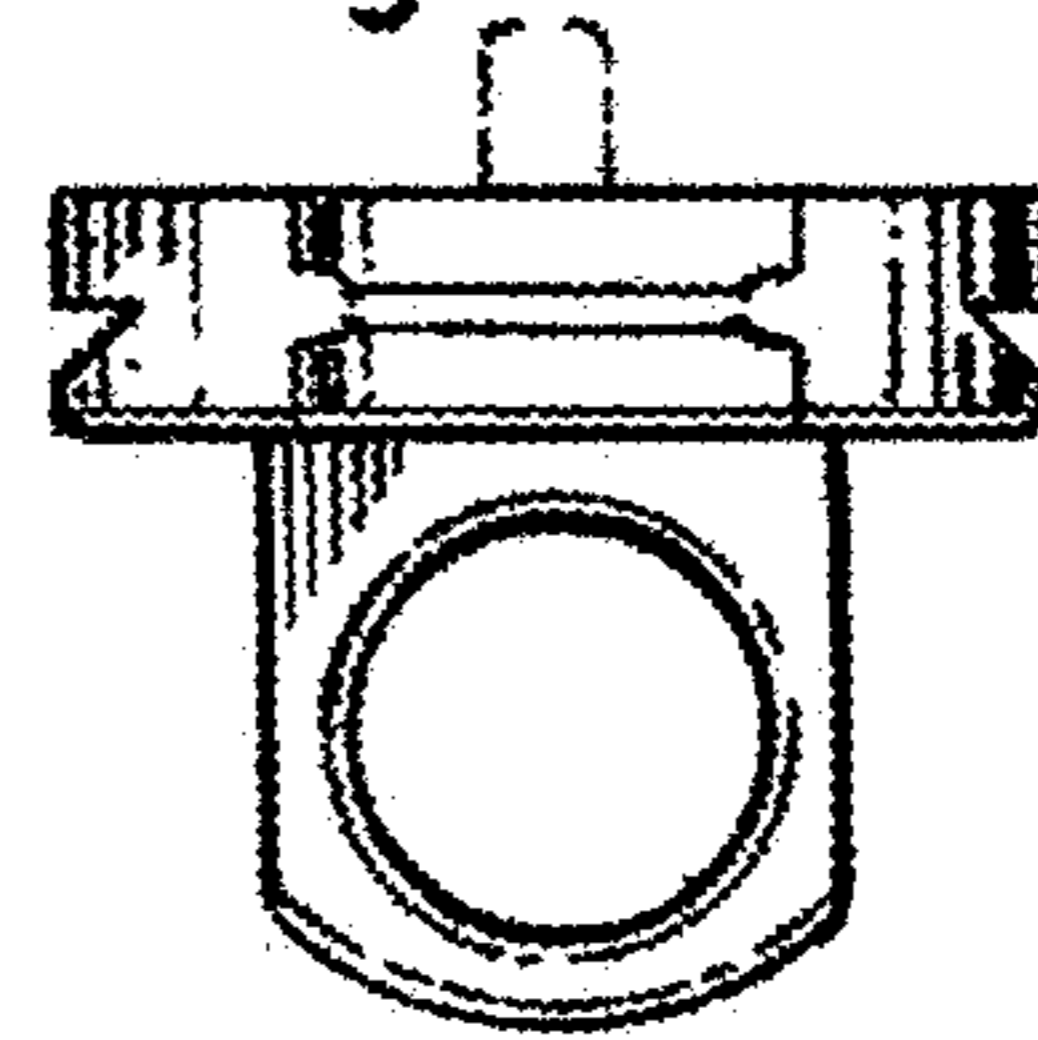
*Fig. 6*



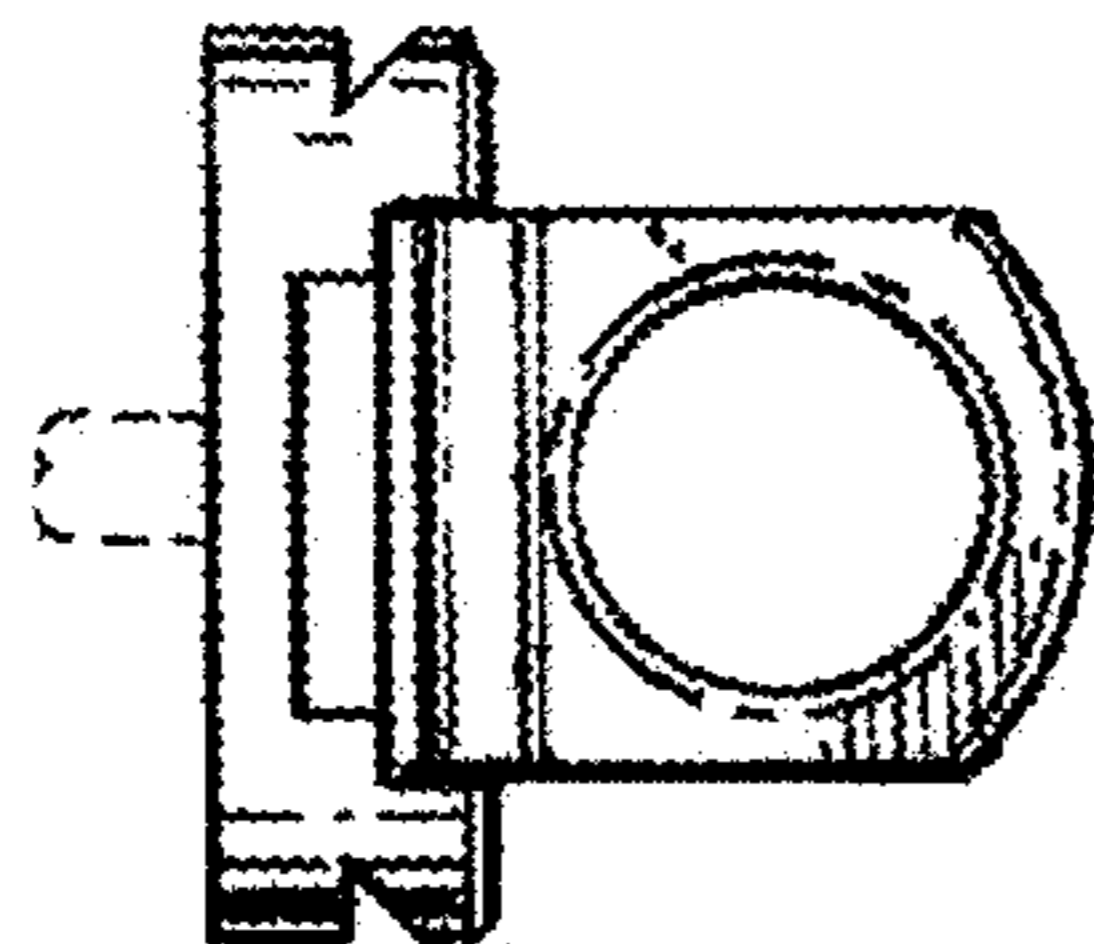
*Fig. 7*



*Fig. 8*



*Fig. 9*



*Fig. 10*

