

US00D713442S

(12) **United States Design Patent**
Baty

(10) **Patent No.:** **US D713,442 S**

(45) **Date of Patent:** **** Sep. 16, 2014**

(54) **CAMERA JIB**

(71) Applicant: **Jonathan Clinton Montoya Baty**,
Piedmont, SC (US)

(72) Inventor: **Jonathan Clinton Montoya Baty**,
Piedmont, SC (US)

(73) Assignee: **BC Media, Inc.**, Piedmont, SC (US)

(**) Term: **14 Years**

(21) Appl. No.: **29/443,135**

(22) Filed: **Jan. 14, 2013**

(51) **LOC (10) Cl.** **16-05**

(52) **U.S. Cl.**
USPC **D16/242**

(58) **Field of Classification Search**
USPC D16/242; D34/36; 52/118, 634;
212/195-199, 227, 239, 256, 317, 321,
212/347, 348, 350; 248/123.11, 123.2,
248/125.8, 125.9, 176.1; 352/243; 396/428
See application file for complete search history.

(56) **References Cited**

U.S. PATENT DOCUMENTS

1,942,925	A	1/1934	Jenkins	
2,156,862	A	5/1939	Maugard	
D238,903	S	2/1976	Colvig	
4,671,478	A	6/1987	Schoenig et al.	
4,849,778	A	7/1989	Samuelson	
4,952,953	A	8/1990	Ridderstolpe et al.	
5,856,862	A *	1/1999	Kokush	352/243
6,478,427	B1 *	11/2002	Morris et al.	352/243
6,752,541	B1 *	6/2004	Dykyj	396/428

D539,827	S	4/2007	Ebeid	
D588,621	S *	3/2009	Baty	D16/242
7,931,412	B2 *	4/2011	Brown	396/421
8,142,083	B2 *	3/2012	Brown	396/421
8,506,180	B2 *	8/2013	Brown	396/421
2006/0088309	A1 *	4/2006	Hein	396/428
2006/0147196	A1 *	7/2006	Hein et al.	396/428

OTHER PUBLICATIONS

Glidecam Industries, Inc.; Web site print outs from <http://glidecam.com/product-vista-crane.php>; visited Jan. 4, 2013; copy enclosed; copyright 1993-2013; copyright Glidecam Industries, Inc.; (4 pages).

* cited by examiner

Primary Examiner — Susan Bennett Hattan

Assistant Examiner — Leanne Was

(74) *Attorney, Agent, or Firm* — Neal P Pierotti; Metz Lewis Brodmon Must O'Keefe

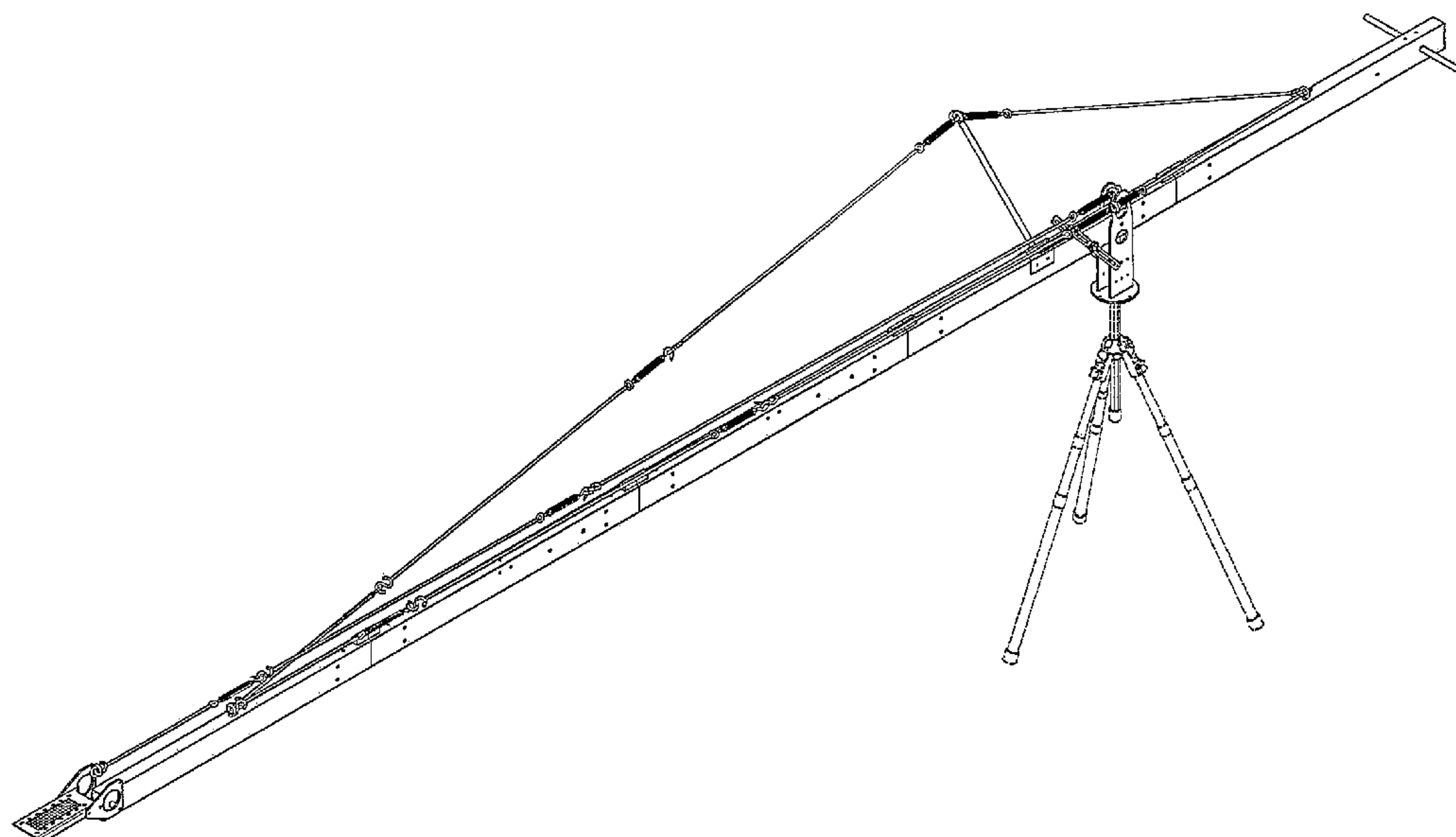
(57) **CLAIM**

The ornamental design of a camera jib, as shown and described.

DESCRIPTION

FIG. 1 is a front elevation view of the camera jib; FIG. 2 is a back elevation view of the camera jib; FIG. 3 is a left side elevation view of the camera jib; FIG. 4 is a right side elevation view of the camera jib; FIG. 5 is a top plan view of the camera jib; FIG. 6 is a bottom plan view of the camera jib; and, FIG. 7 is a perspective view of the camera jib. The broken lines in FIGS. 1-7 setting forth additional portions of the camera jib depict environment only and form no part of the claimed design.

1 Claim, 7 Drawing Sheets



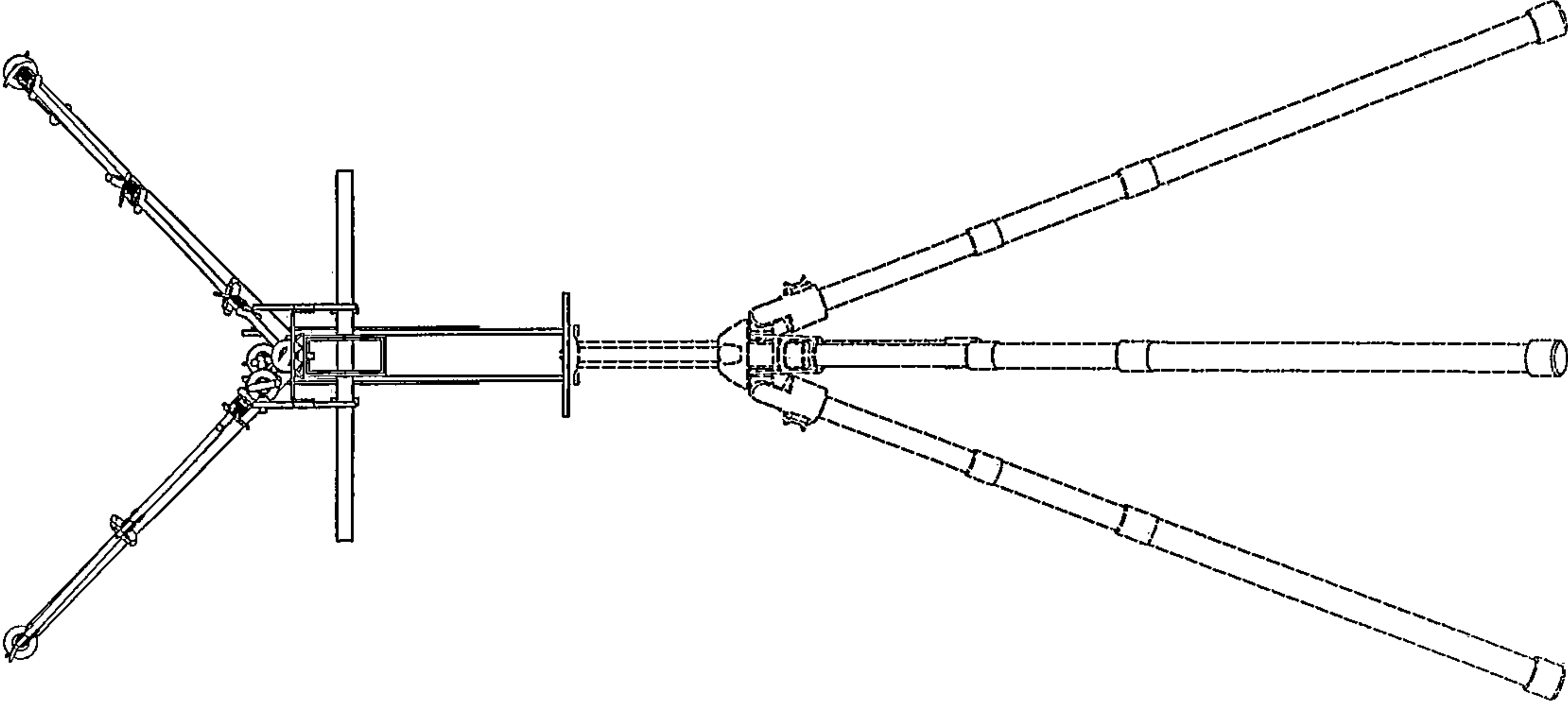


FIGURE 1

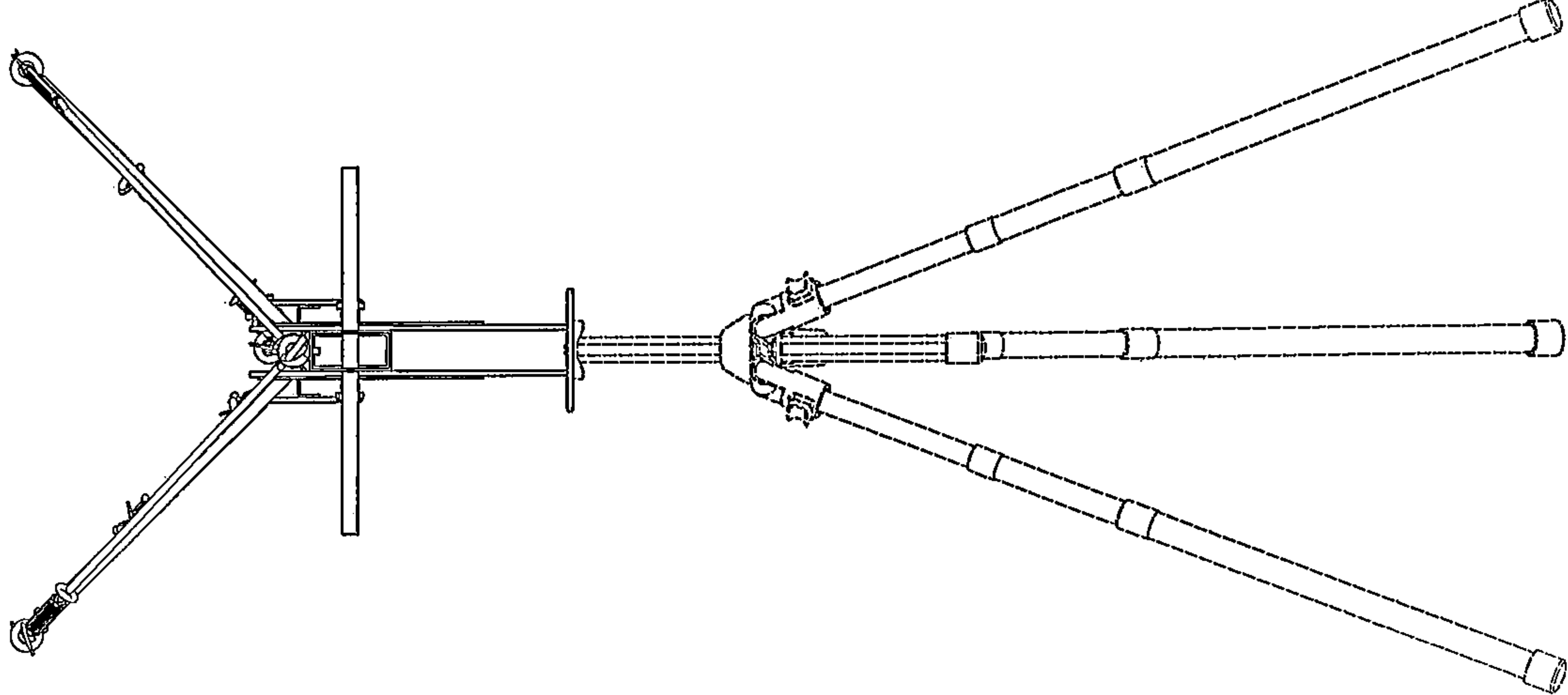


FIGURE 2

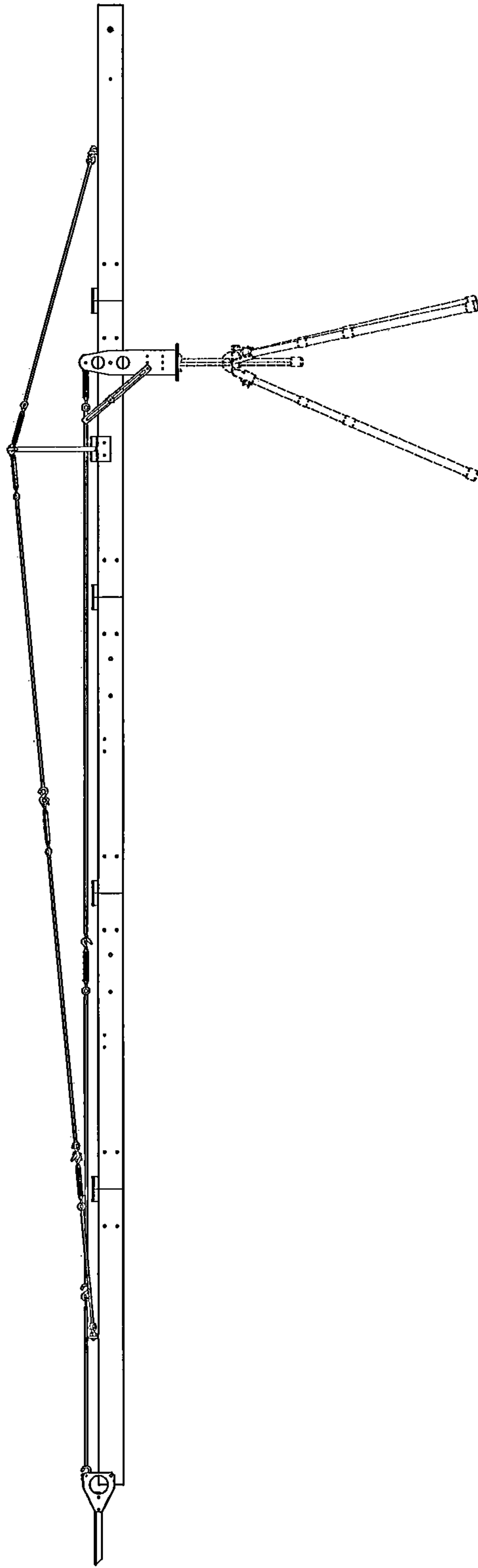


FIGURE 3

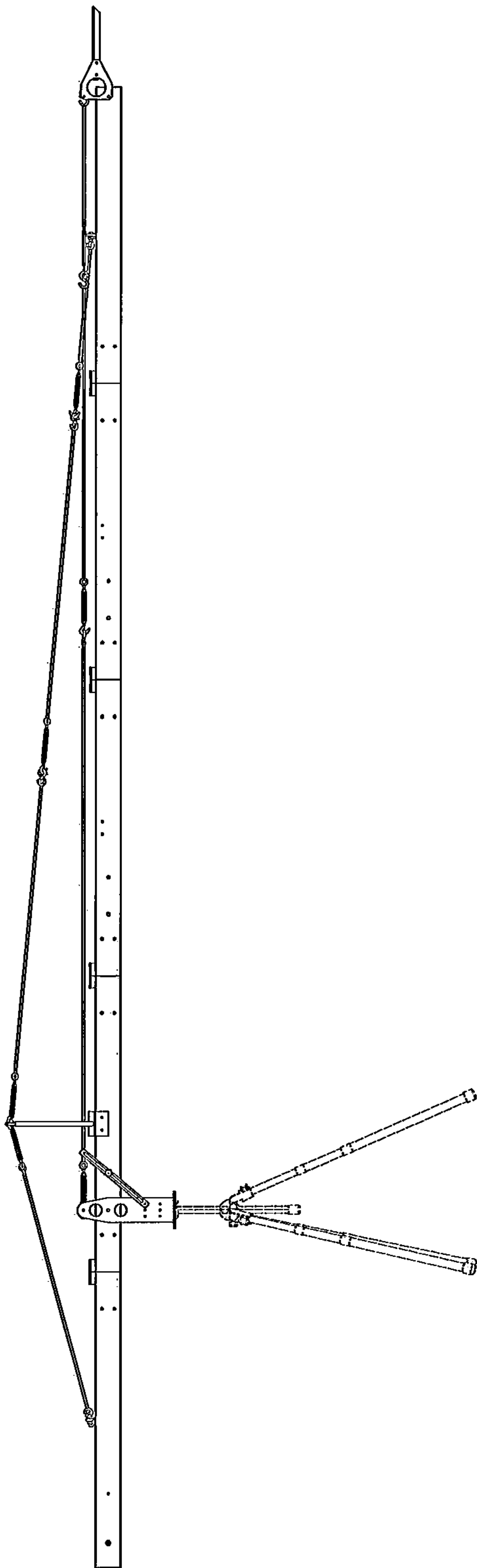


FIGURE 4

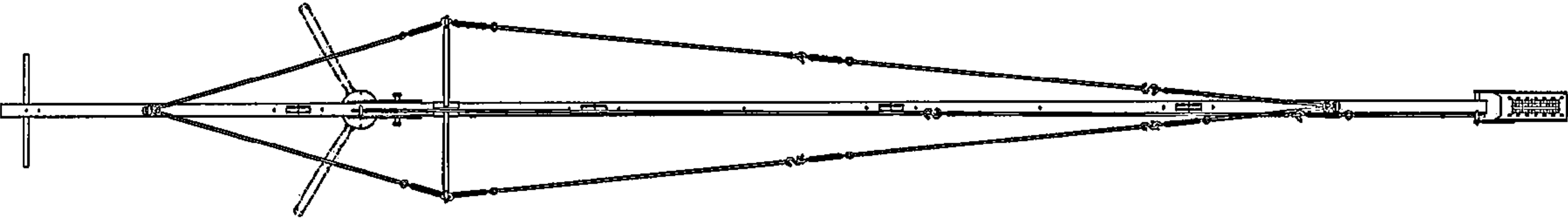


FIGURE 5

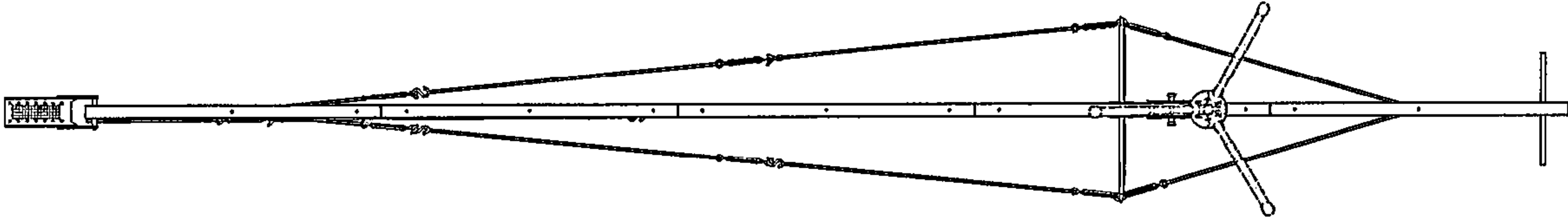


FIGURE 6

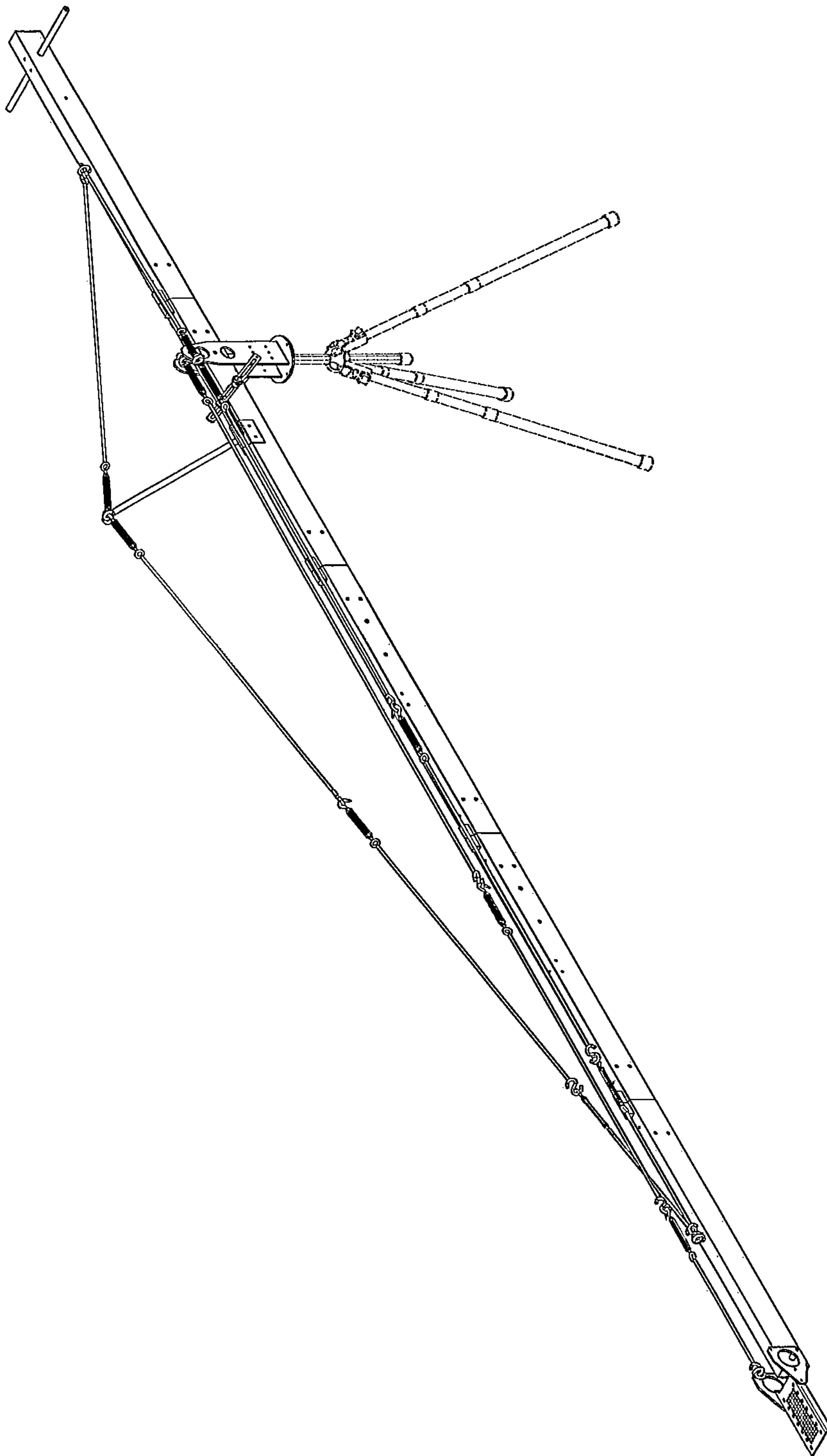


FIGURE 7