



US00D713440S

(12) **United States Design Patent**
Zhan

(10) **Patent No.:** **US D713,440 S**
(45) **Date of Patent:** **** Sep. 16, 2014**

(54) **FOLLOW FOCUS FOR CAMERA**

(71) Applicant: **Fuzhou F&V Photographic Equipment Co., Ltd.**, Fuzhou (CN)
(72) Inventor: **Xiao-Ming Zhan**, Fuzhou (CN)
(73) Assignee: **Fuzhou F&V Photographic Equipment Co., Ltd.**, Fuzhou, Fujian (CN)

(**) Term: **14 Years**

(21) Appl. No.: **29/443,939**

(22) Filed: **Jan. 24, 2013**

(51) **LOC (10) Cl.** **16-05**

(52) **U.S. Cl.**
USPC **D16/237**

(58) **Field of Classification Search**
USPC D16/134, 136, 200, 202, 218, 219, 237, D16/238, 239, 242, 245, 250; 348/373, 374; 362/3, 16-18, 182, 552; 396/419, 540, 396/541; D8/323, 331, 349, 354; D26/118; D3/219, 267-278; D9/435, 445, 453, D9/454

See application file for complete search history.

(56) **References Cited**

U.S. PATENT DOCUMENTS

2,618,209	A *	11/1952	Silent	396/93
3,798,670	A *	3/1974	Tanaka	396/90
3,947,860	A *	3/1976	Imai et al.	396/144
D283,624	S *	4/1986	Maitani et al.	D16/219
D677,309	S *	3/2013	Asano	D16/243
2010/0259669	A1 *	10/2010	Wood	348/345
2014/0132828	A1 *	5/2014	Lochner et al.	348/373

OTHER PUBLICATIONS

Follow Focus Advanced. dated 2014. found online [Jun. 20, 2014] http://fvlight.en.alibaba.com/product/632042211-0/Follow_Focus_Advanced.html.
FotgaDP500. dated 2014. found online [Jun. 20, 2014] http://www.aliexpress.com/store/product/Wholesale-Fotga-DP500-DSLR-Quick-Release-Follow-focus-For-15mm-rod-support-DSLR-RIG-HDSLR-HDV/602511_514506998.html.
Quickfit Follow Focus. dated 2014. found online [Jun. 20, 2014] http://www.alibaba.com/product-detail/Quickfit-Follow-Focus-with-Soft-touch_509173979.html.

* cited by examiner

Primary Examiner — Robert M Spear
Assistant Examiner — Marissa Cash

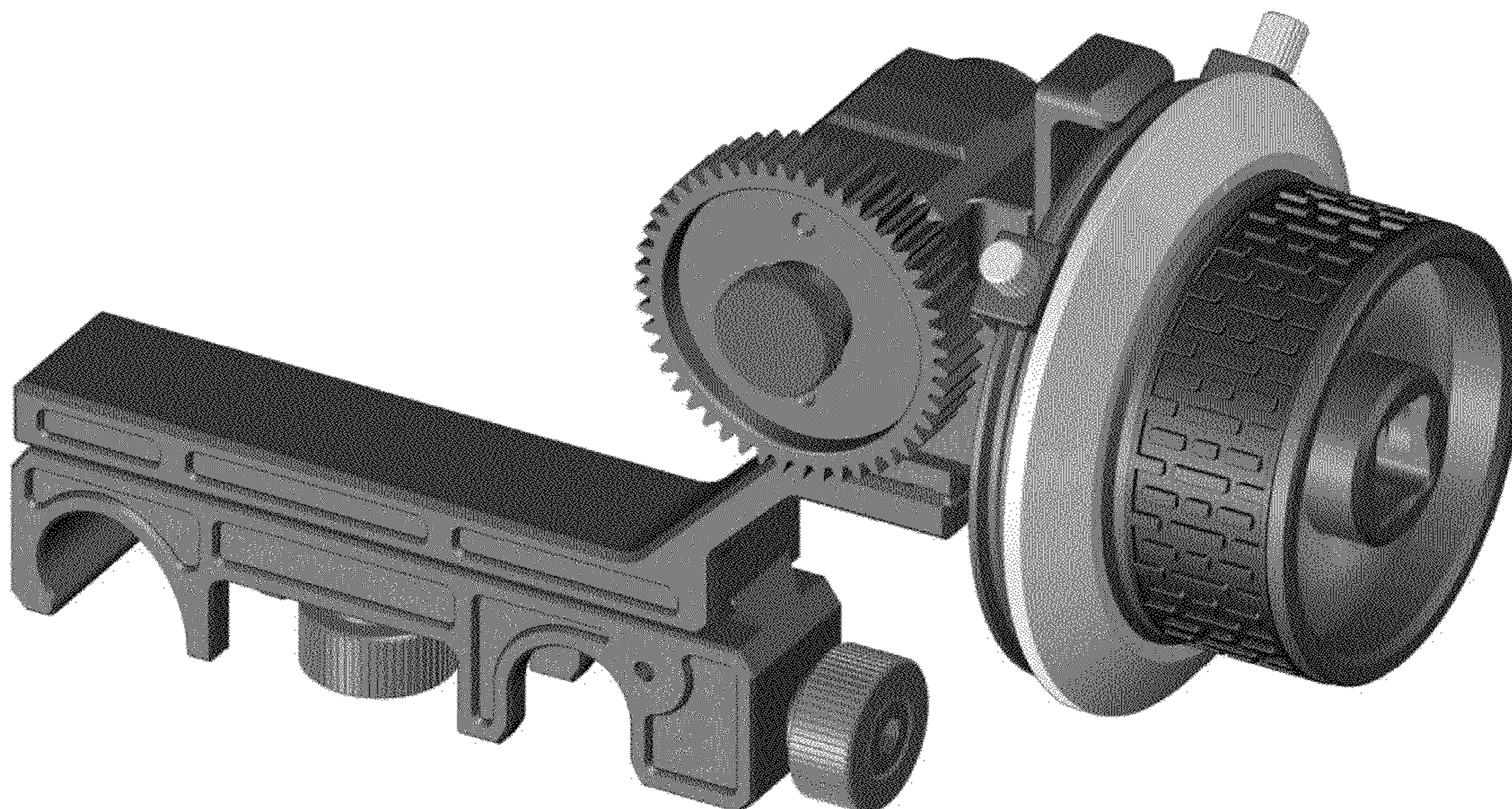
(57) **CLAIM**

The ornamental design for a follow focus for camera, as shown and described.

DESCRIPTION

FIG. 1 is a perspective view of follow focus for camera showing my present design, FIG. 2 is another perspective view of follow focus for camera showing my present design, FIG. 3 is a front view thereof; FIG. 4 is a rear view thereof; FIG. 5 is a left side view thereof; FIG. 6 is a right side view thereof; FIG. 7 is a top view thereof; and, FIG. 8 is a bottom view thereof.

1 Claim, 8 Drawing Sheets



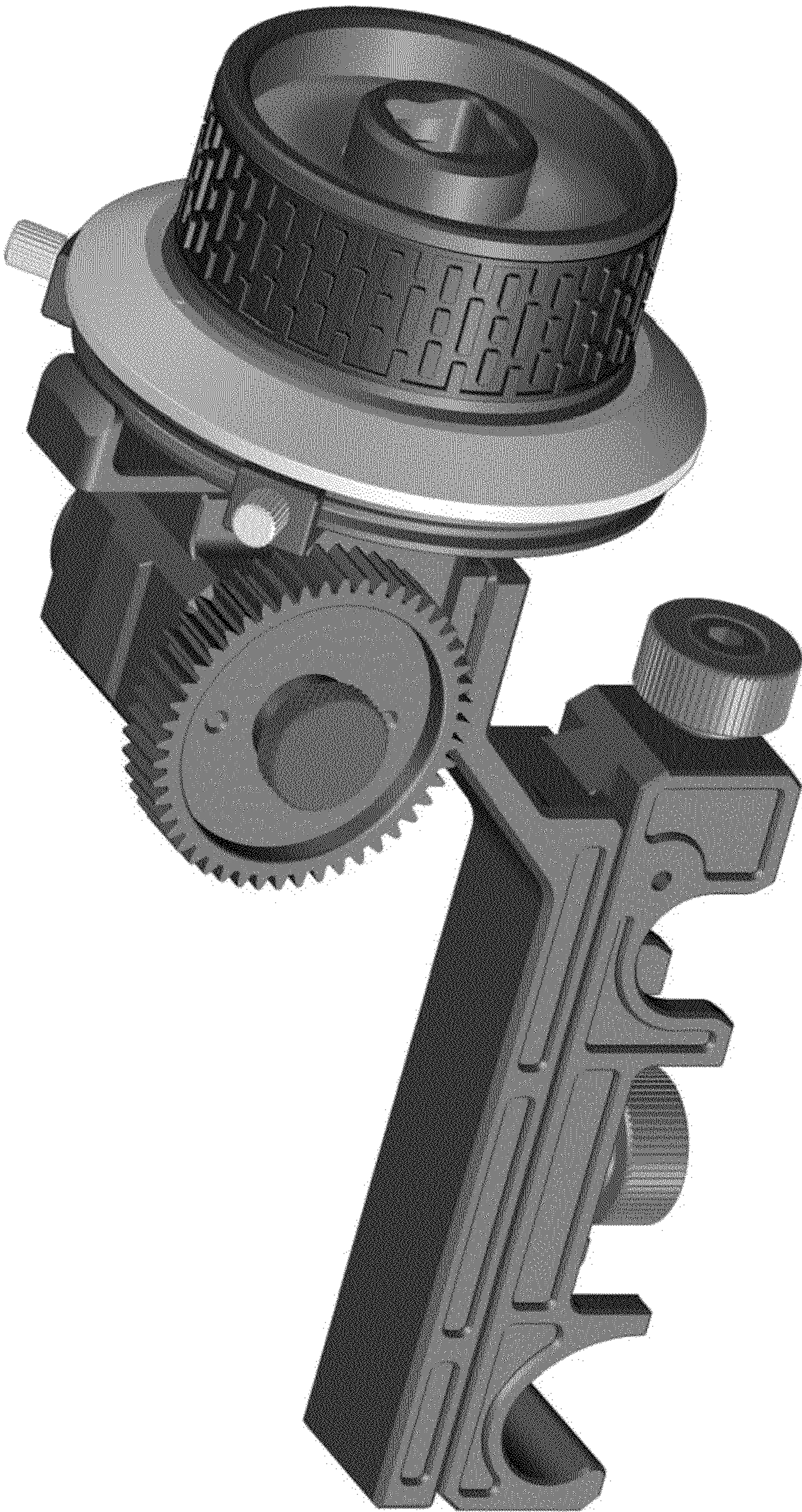


FIG. 1

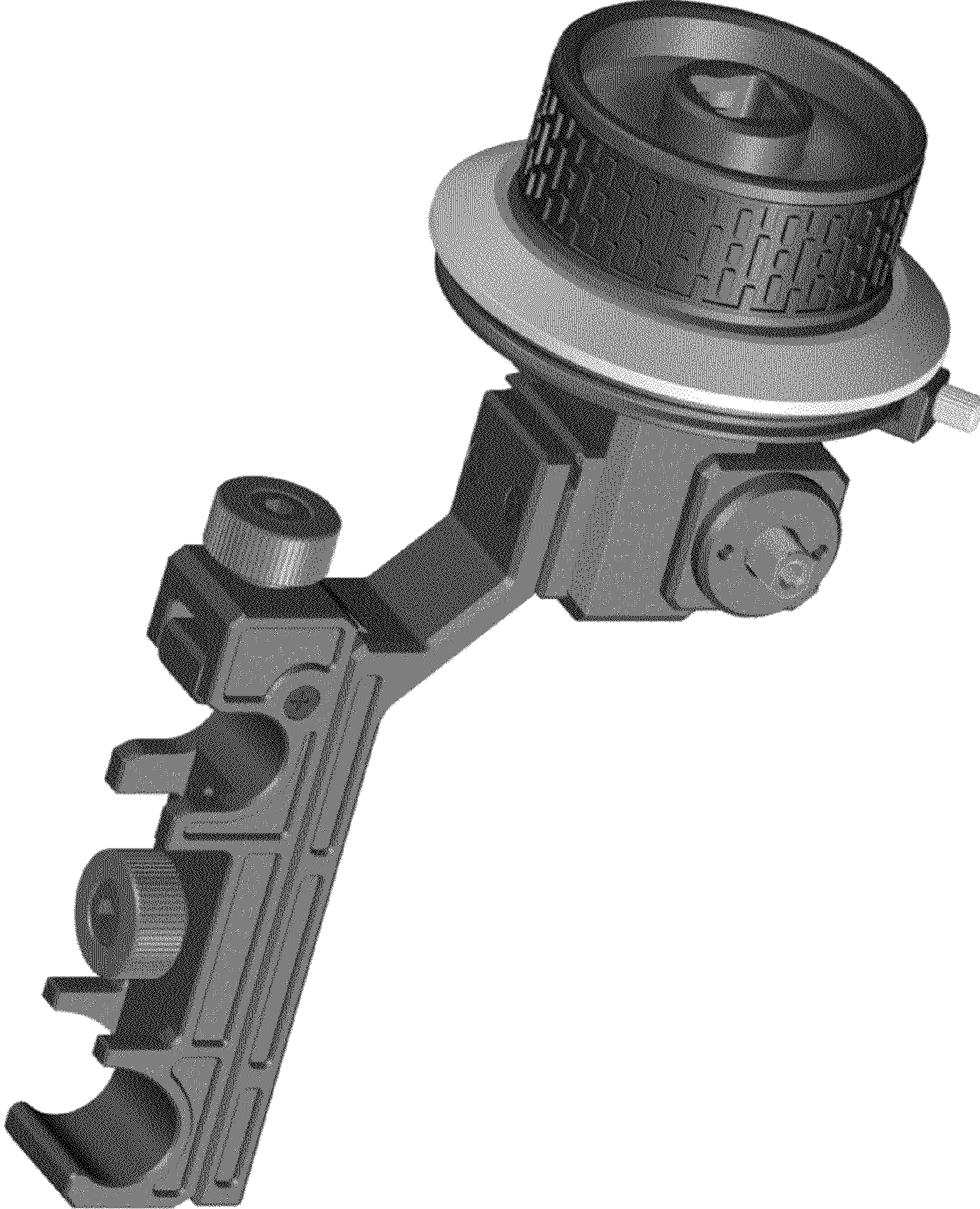


FIG. 2

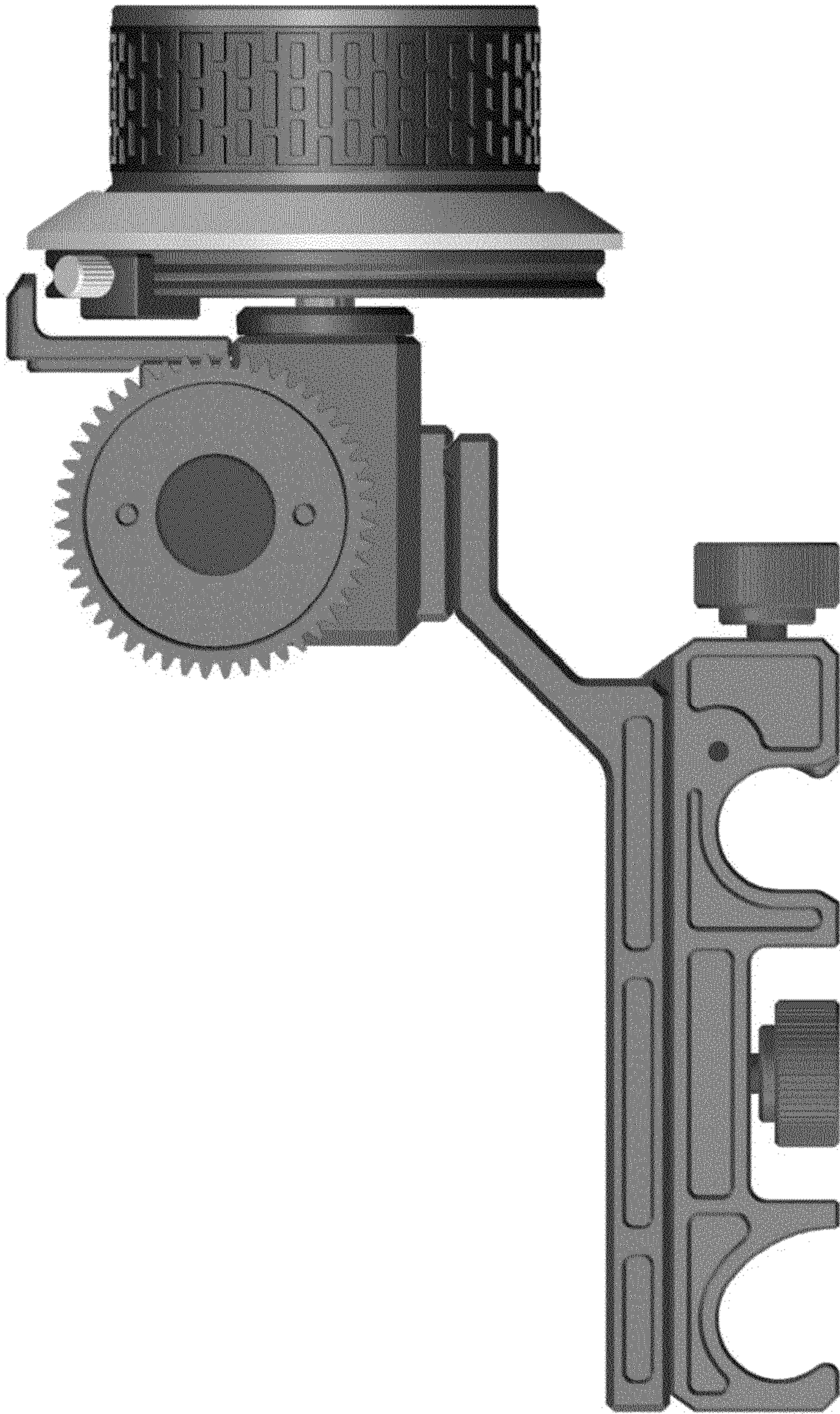


FIG. 3

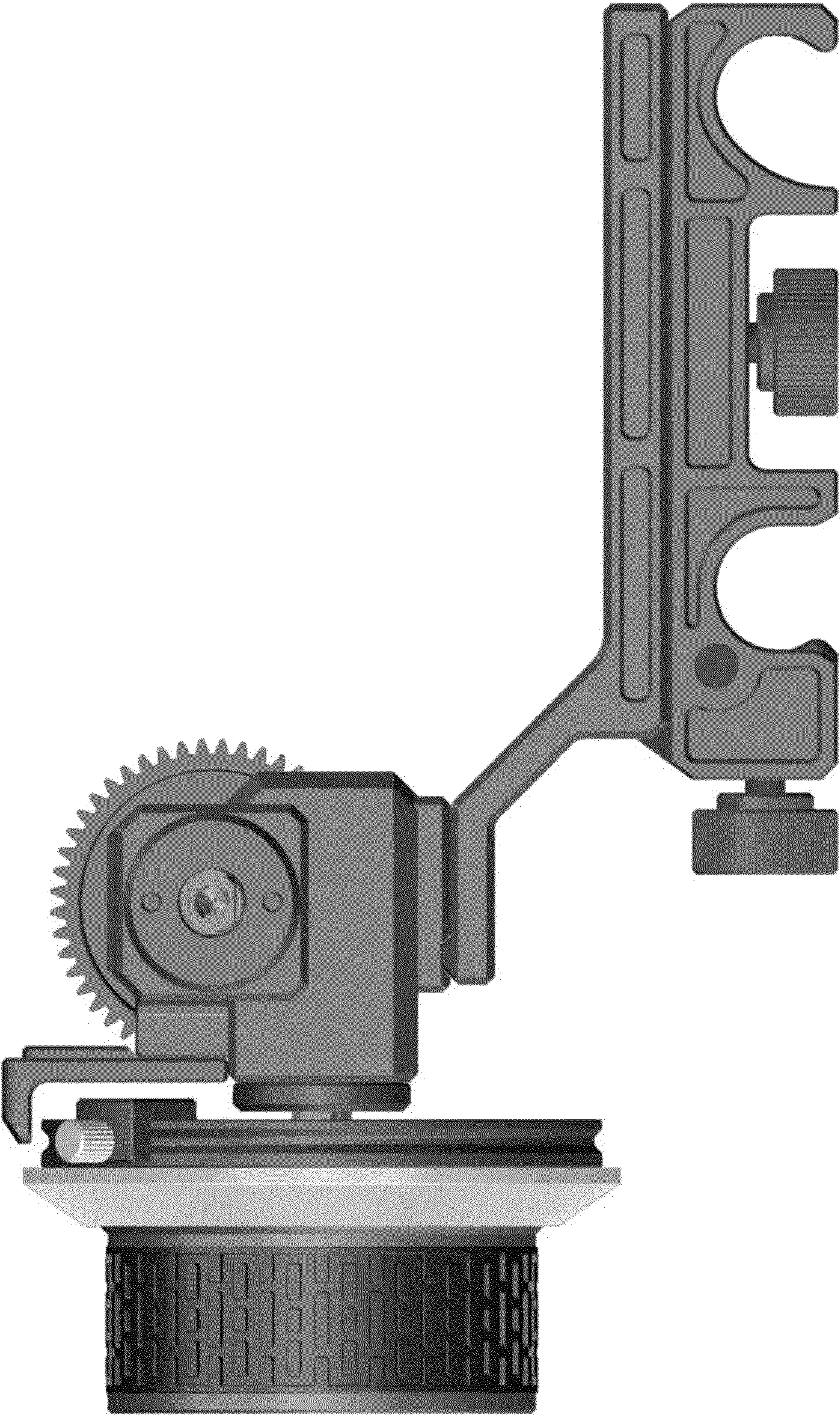


FIG. 4

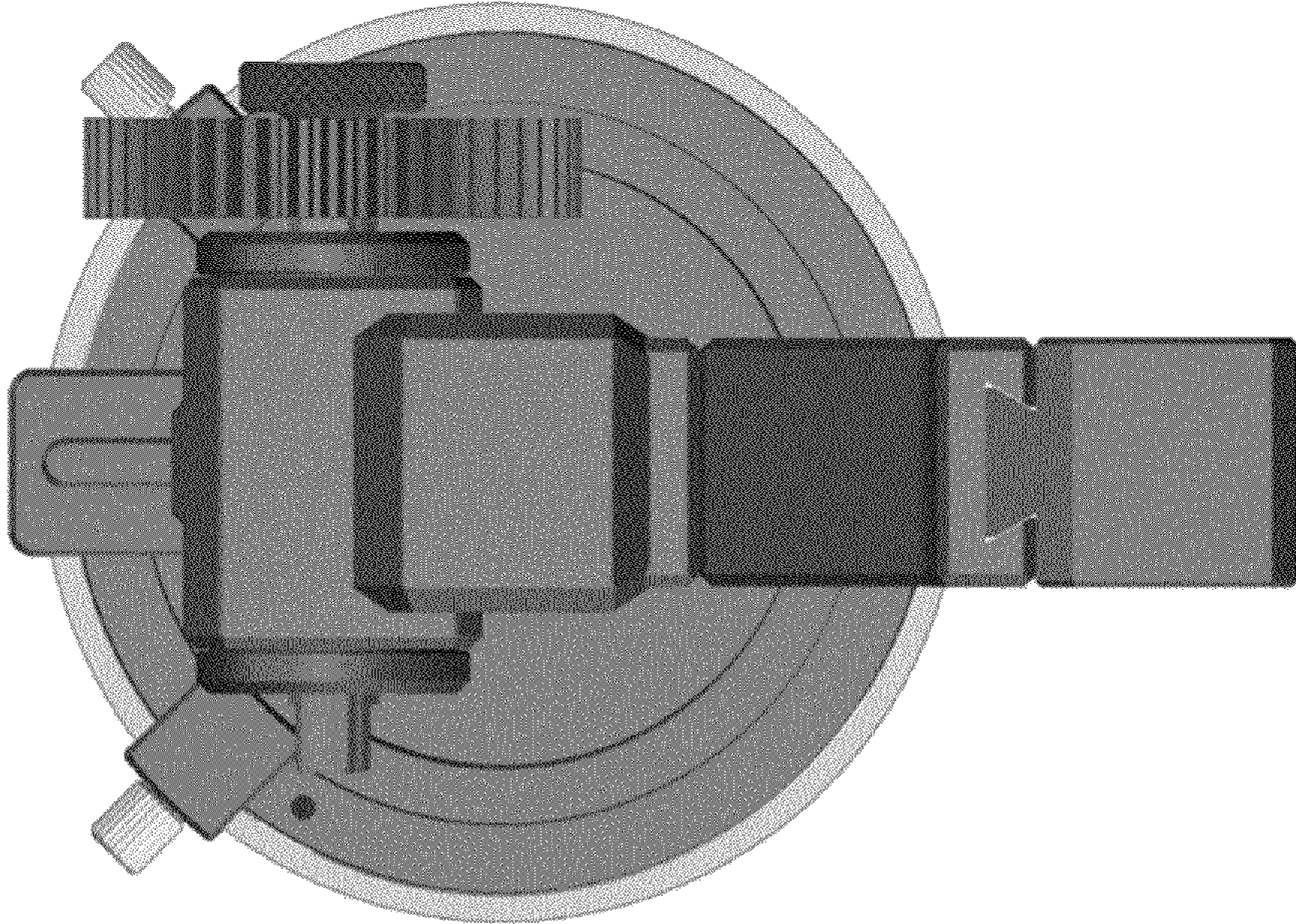


FIG. 5



FIG. 6

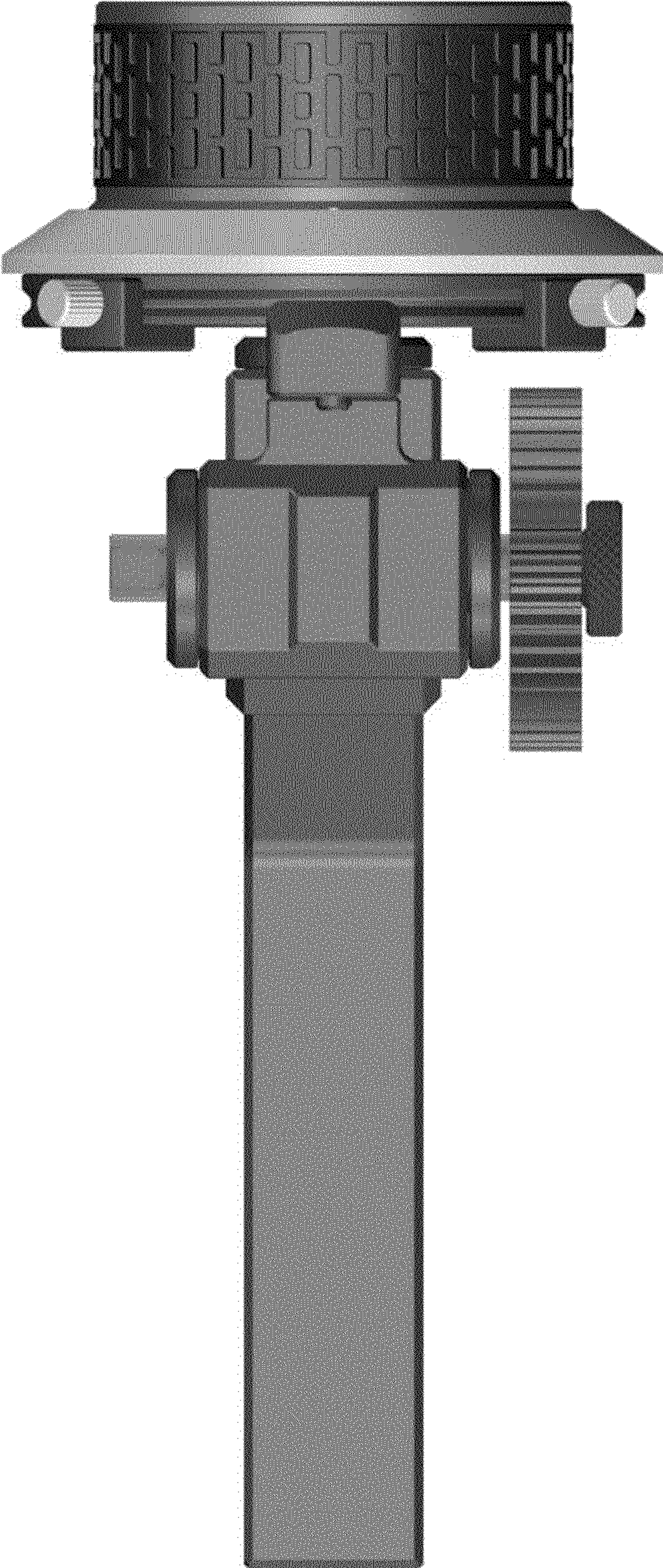


FIG. 7

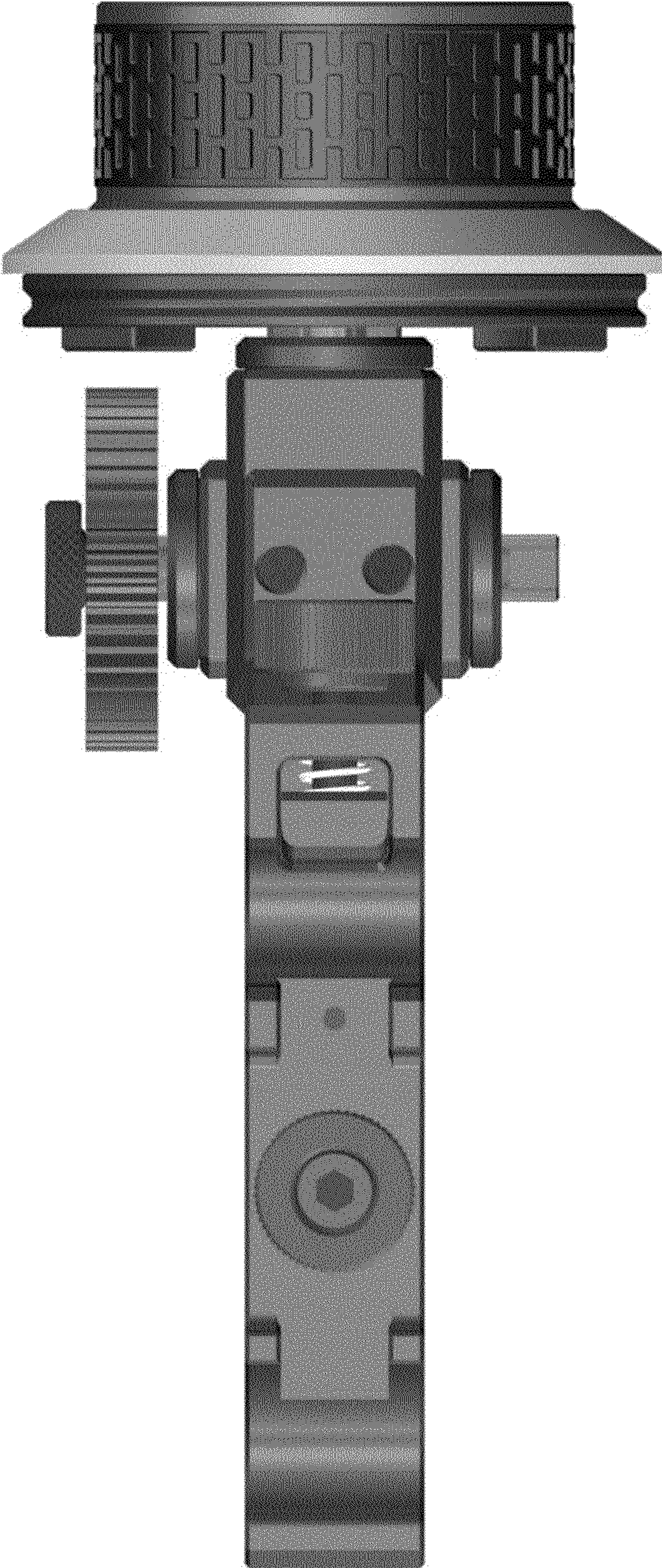


FIG. 8