



US00D713439S

(12) **United States Design Patent**  
**Zhang**

(10) **Patent No.:** **US D713,439 S**

(45) **Date of Patent:** **\*\* Sep. 16, 2014**

(54) **CAMERA**

(71) Applicant: **Shenzhen AEE Technology Co., Ltd,**  
Guangdong (CN)

(72) Inventor: **Xianzhi Zhang,** Guangdong (CN)

(73) Assignee: **Shenzhen AEE Technology Co., Ltd,**  
Shenzhen (CN)

(\*\*) Term: **14 Years**

(21) Appl. No.: **29/450,506**

(22) Filed: **Mar. 18, 2013**

(30) **Foreign Application Priority Data**

Oct. 24, 2012 (CN) ..... 2012 3 0509317

(51) **LOC (10) CL.** ..... **16-01**

(52) **U.S. CL.**  
USPC ..... **D16/210; D16/208**

(58) **Field of Classification Search**  
CPC ..... G03B 15/03; G03B 17/02; G03B 17/04;  
G03B 17/08; G03B 17/56; G03B 19/04;  
H04N 5/2251; H04N 5/2252; H04N 5/2253;  
H04N 5/2254  
USPC ..... D16/200, 202–208, 210, 218, 219, 242;  
348/373–376; 396/535, 539–541  
See application file for complete search history.

(56) **References Cited**

U.S. PATENT DOCUMENTS

D149,233	S	*	4/1948	Teague	.....	D16/210
D167,577	S	*	8/1952	Lamb	.....	D16/210
D182,201	S	*	2/1958	Richartz	.....	D16/207
5,471,238	A	*	11/1995	Bae	.....	348/98
D558,247	S	*	12/2007	Kim	.....	D16/202
D647,936	S	*	11/2011	Tanifuji et al.	.....	D16/202
D674,832	S	*	1/2013	Zhang	.....	D16/202
D686,267	S	*	7/2013	Mihara et al.	.....	D16/202
2013/0128104	A1	*	5/2013	Nunnink et al.	.....	348/373

\* cited by examiner

*Primary Examiner* — Adir Aronovich  
*Assistant Examiner* — Ramzi Almatrahi

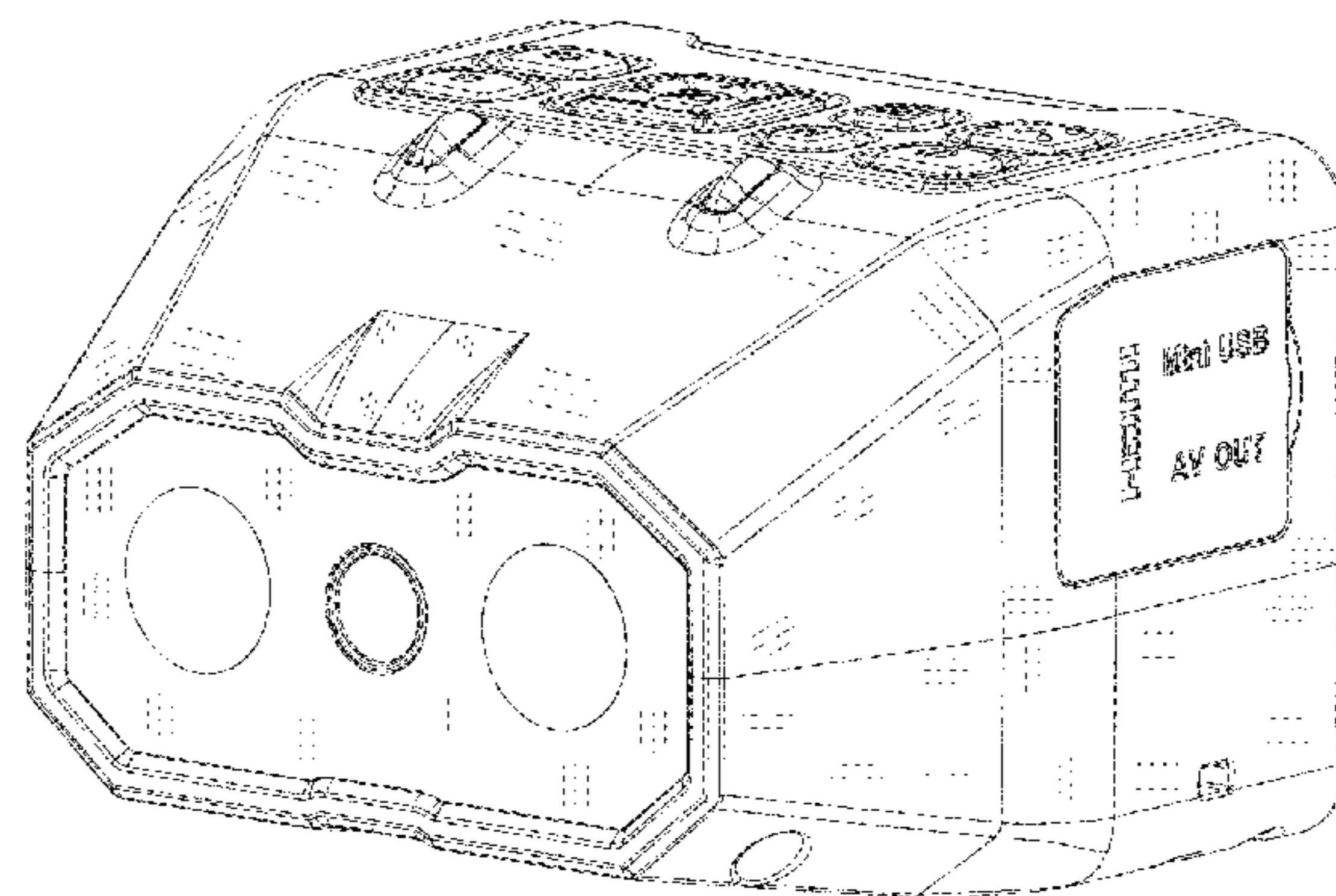
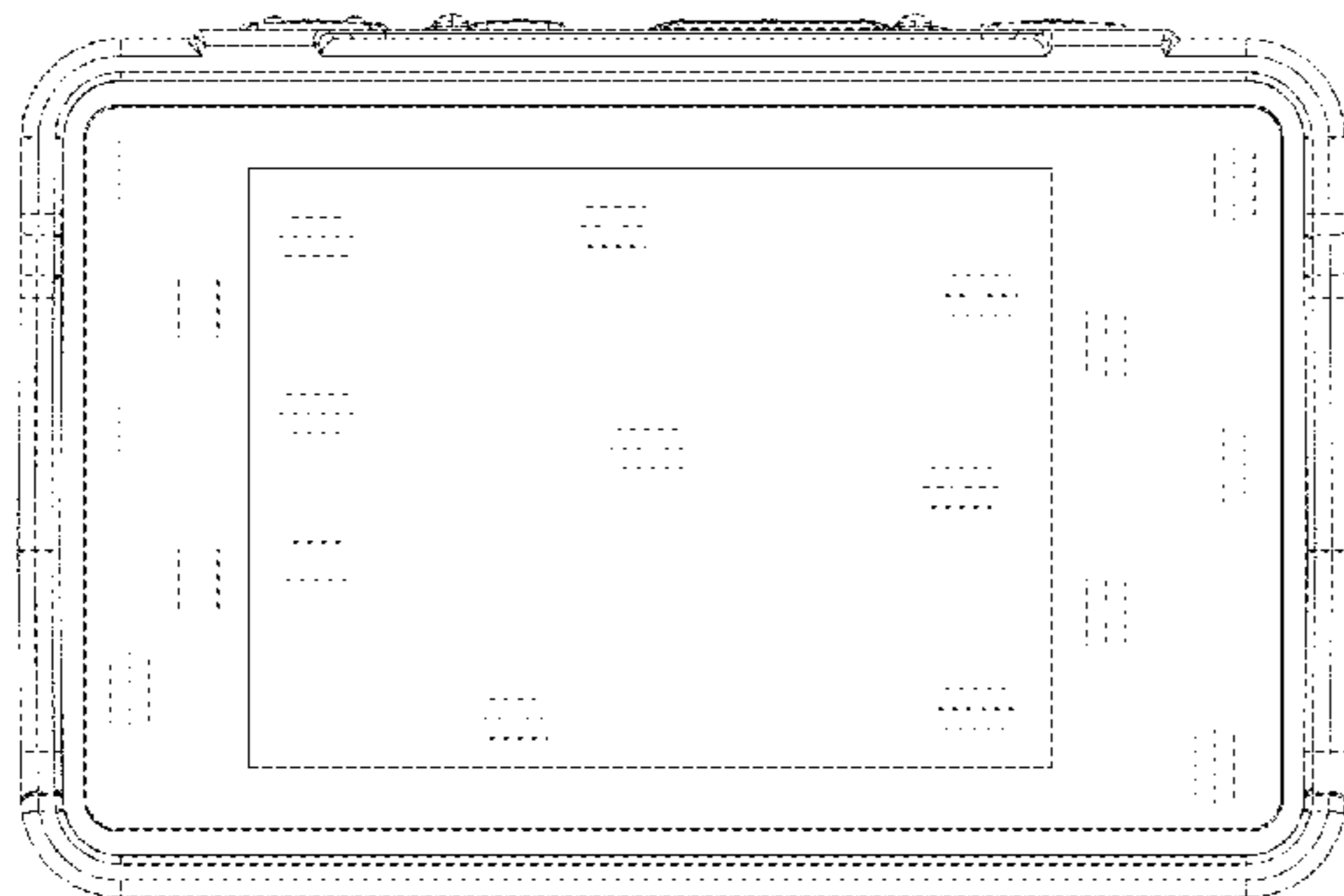
(57) **CLAIM**

The ornamental design for a camera, as shown and described.

**DESCRIPTION**

FIG. 1 is a front elevational view of a camera showing my new design;  
FIG. 2 is a rear elevational view thereof;  
FIG. 3 is a left side elevational view thereof;  
FIG. 4 is a right side elevational view thereof;  
FIG. 5 is a top plan view thereof;  
FIG. 6 is a bottom plan view thereof; and,  
FIG. 7 is a front and right perspective view thereof.

**1 Claim, 7 Drawing Sheets**



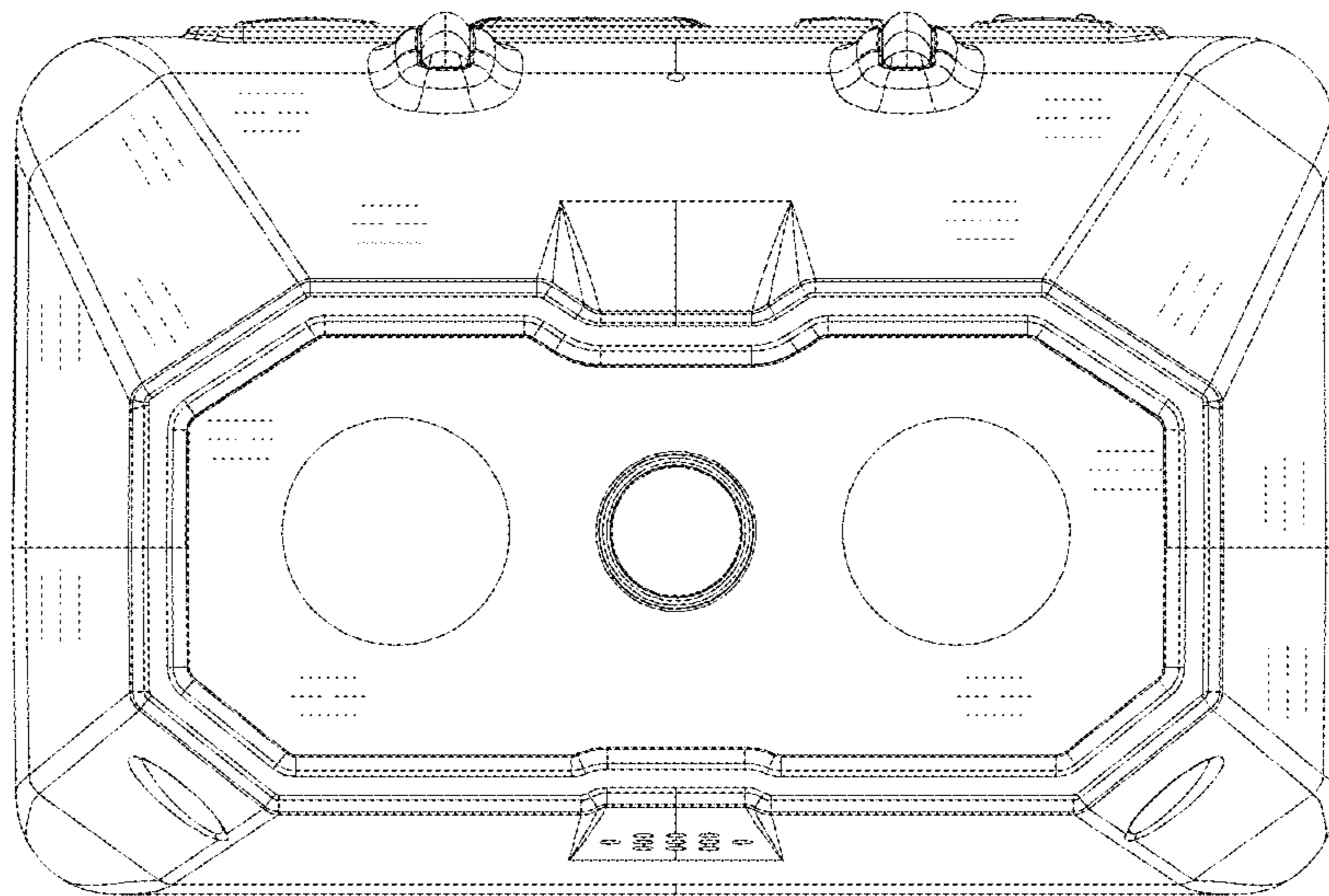


FIG. 1

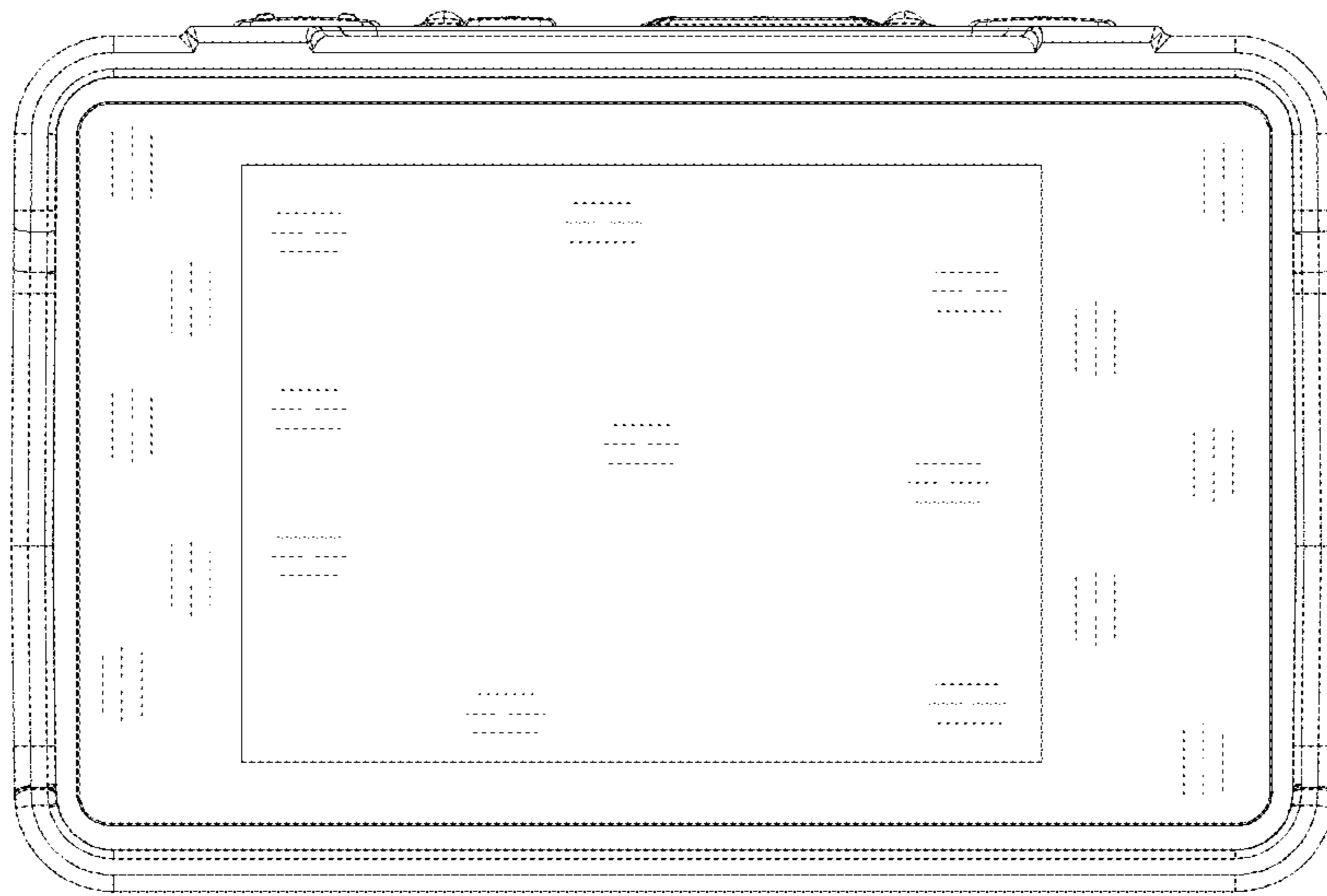


FIG. 2

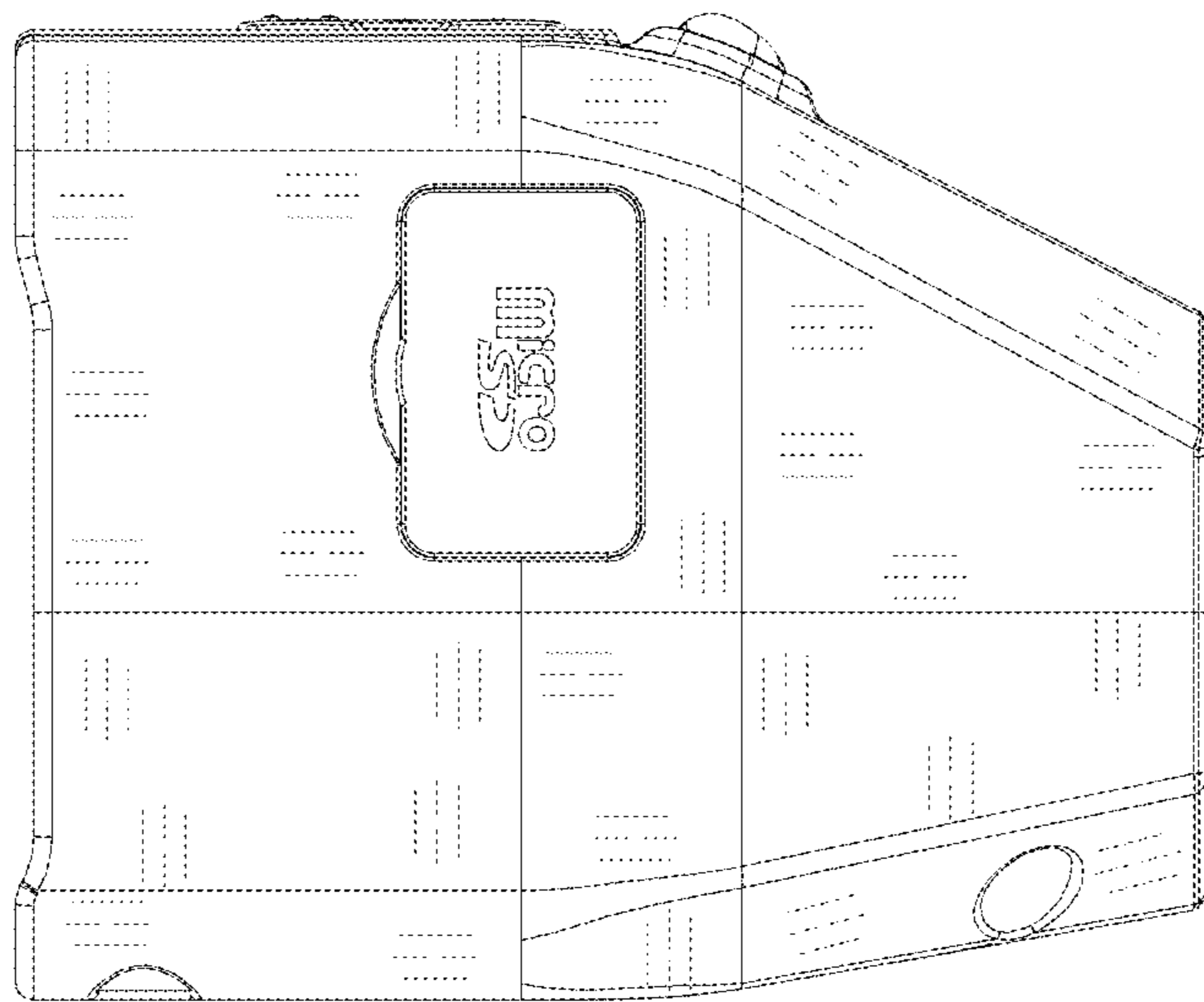


FIG. 3

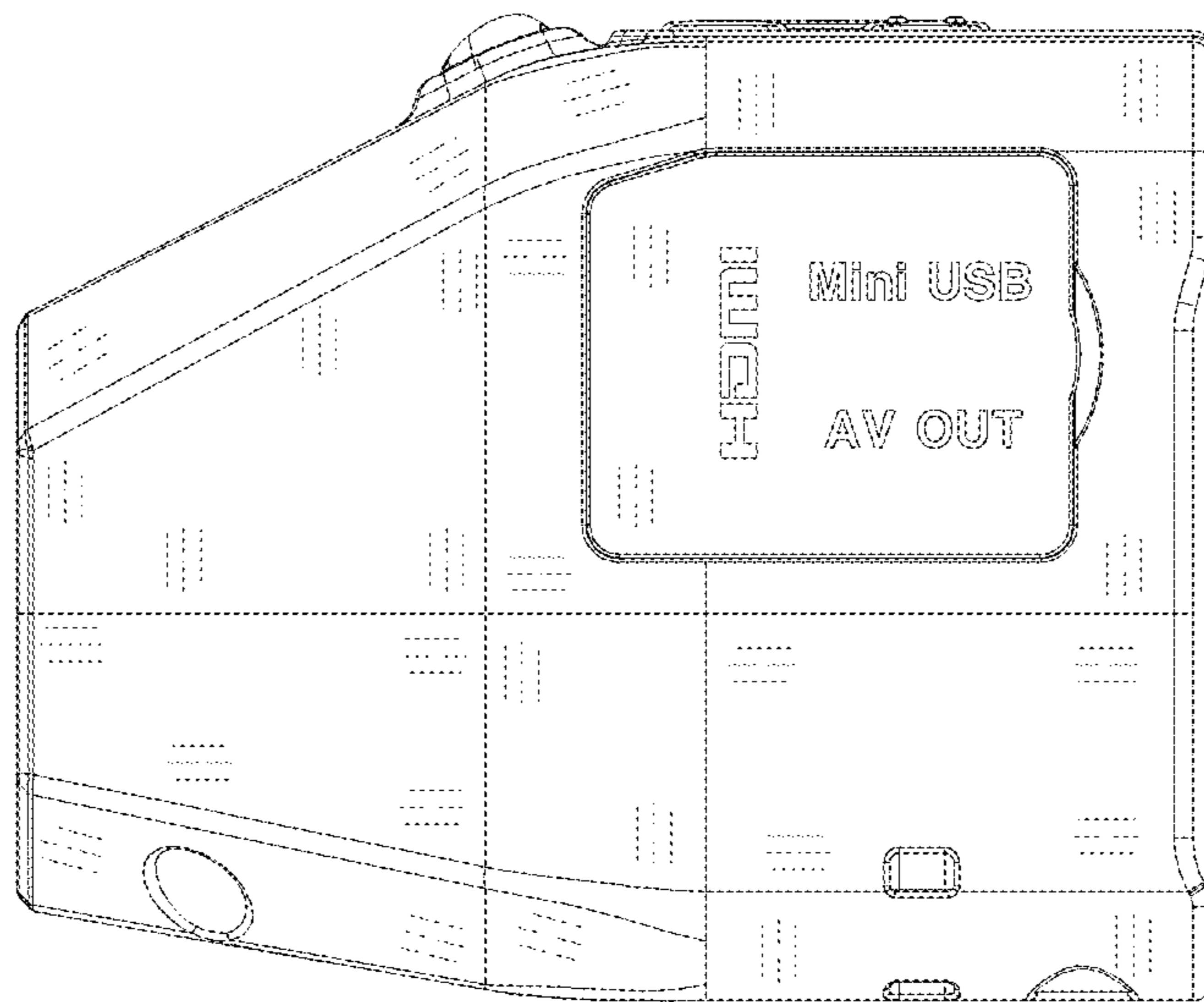


FIG. 4

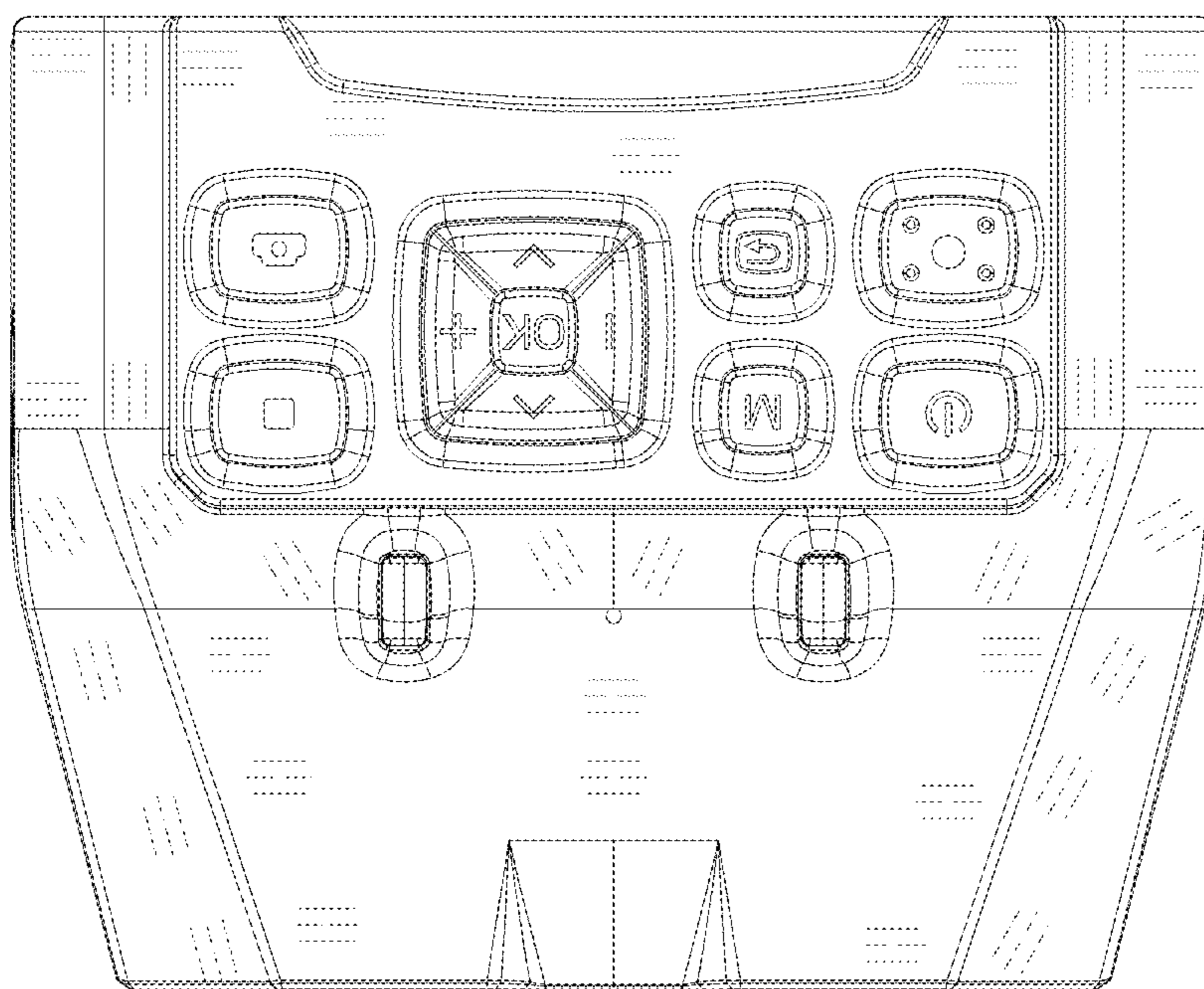


FIG. 5

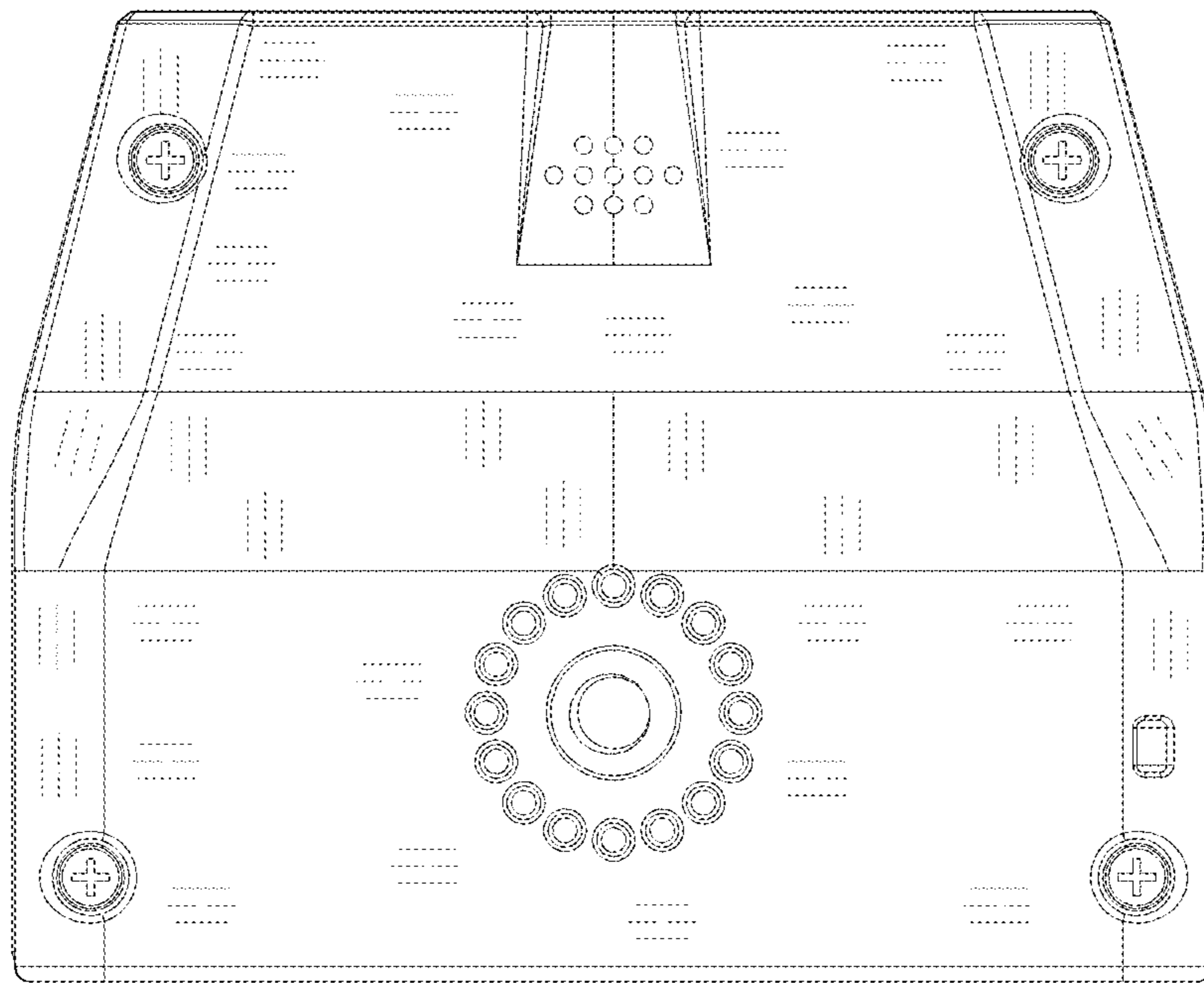


FIG. 6

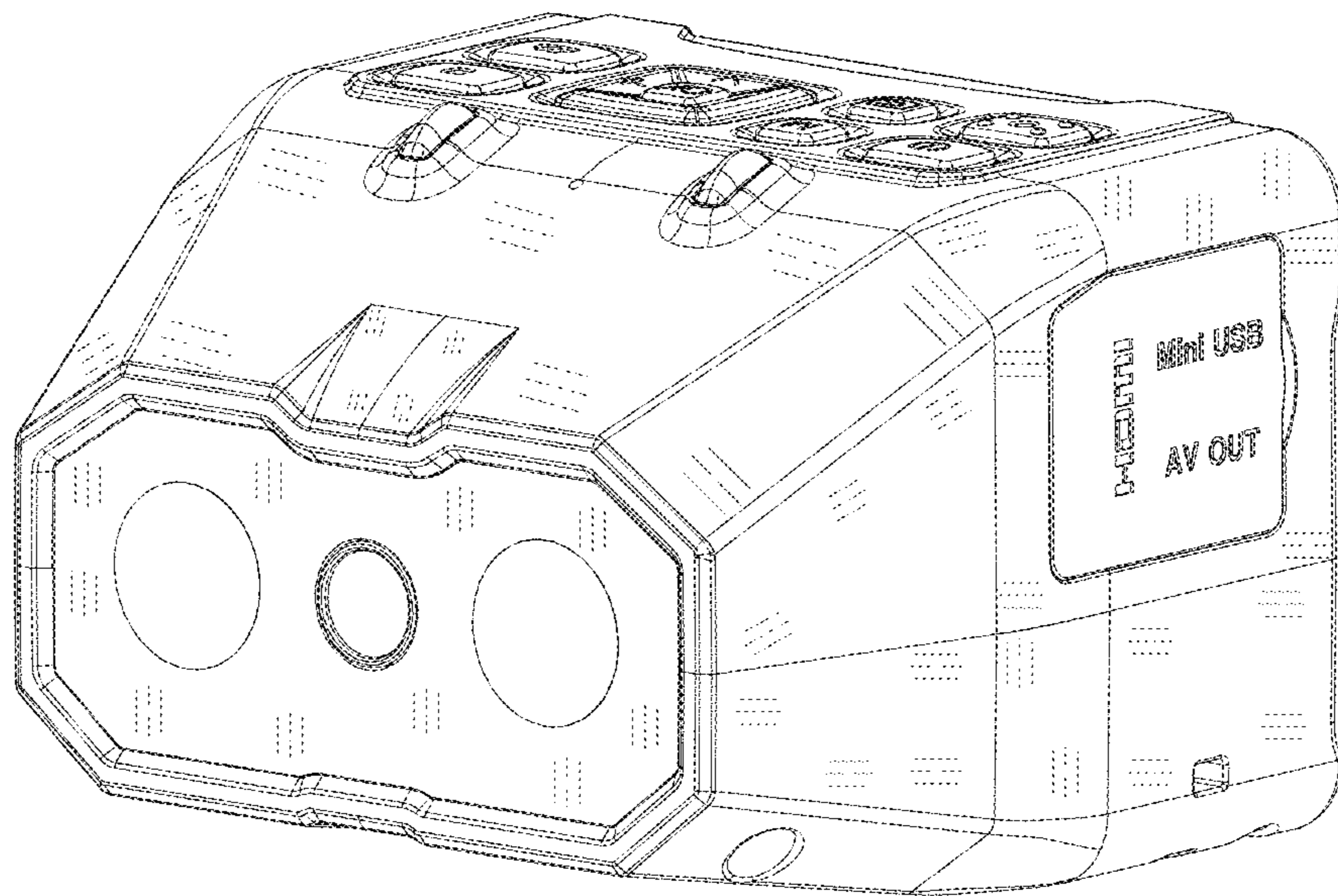


FIG. 7