



US00D713438S

(12) **United States Design Patent**  
**Totani et al.**

(10) **Patent No.:** **US D713,438 S**

(45) **Date of Patent:** **\*\* Sep. 16, 2014**

(54) **PRISM LENS FOR A HEAD-MOUNTED DISPLAY**

(57) **CLAIM**

The ornamental design for a prism lens for a head-mounted display, as shown and described.

**DESCRIPTION**

(71) Applicant: **Seiko Epson Corporation**, Tokyo (JP)

(72) Inventors: **Takahiro Totani**, Suwa (JP); **Takashi Takeda**, Suwa (JP); **Akira Komatsu**, Nagano (JP); **Masayuki Takagi**, Shiojiri (JP); **Toshiaki Miyao**, Matsumoto (JP); **Hideki Kato**, London (GB); **Yoshihiro Tatara**, Shiojiri (JP); **Noriaki Hiraide**, Azumino (JP)

(73) Assignee: **Seiko Epson Corporation**, Tokyo (JP)

(\*\*) Term: **14 Years**

(21) Appl. No.: **29/459,094**

(22) Filed: **Jun. 26, 2013**

(30) **Foreign Application Priority Data**

Dec. 27, 2012 (JP) ..... 2012-031846

(51) **LOC (10) Cl.** ..... **16-06**

(52) **U.S. Cl.**  
USPC ..... **D16/134; D16/137**

(58) **Field of Classification Search**  
CPC ..... G02B 5/04  
USPC ..... D16/134, 137; 359/802, 803, 805, 808, 359/810, 811, 809, 812, 727, 834, 831, 359/833; D26/120, 122, 85  
See application file for complete search history.

(56) **References Cited**

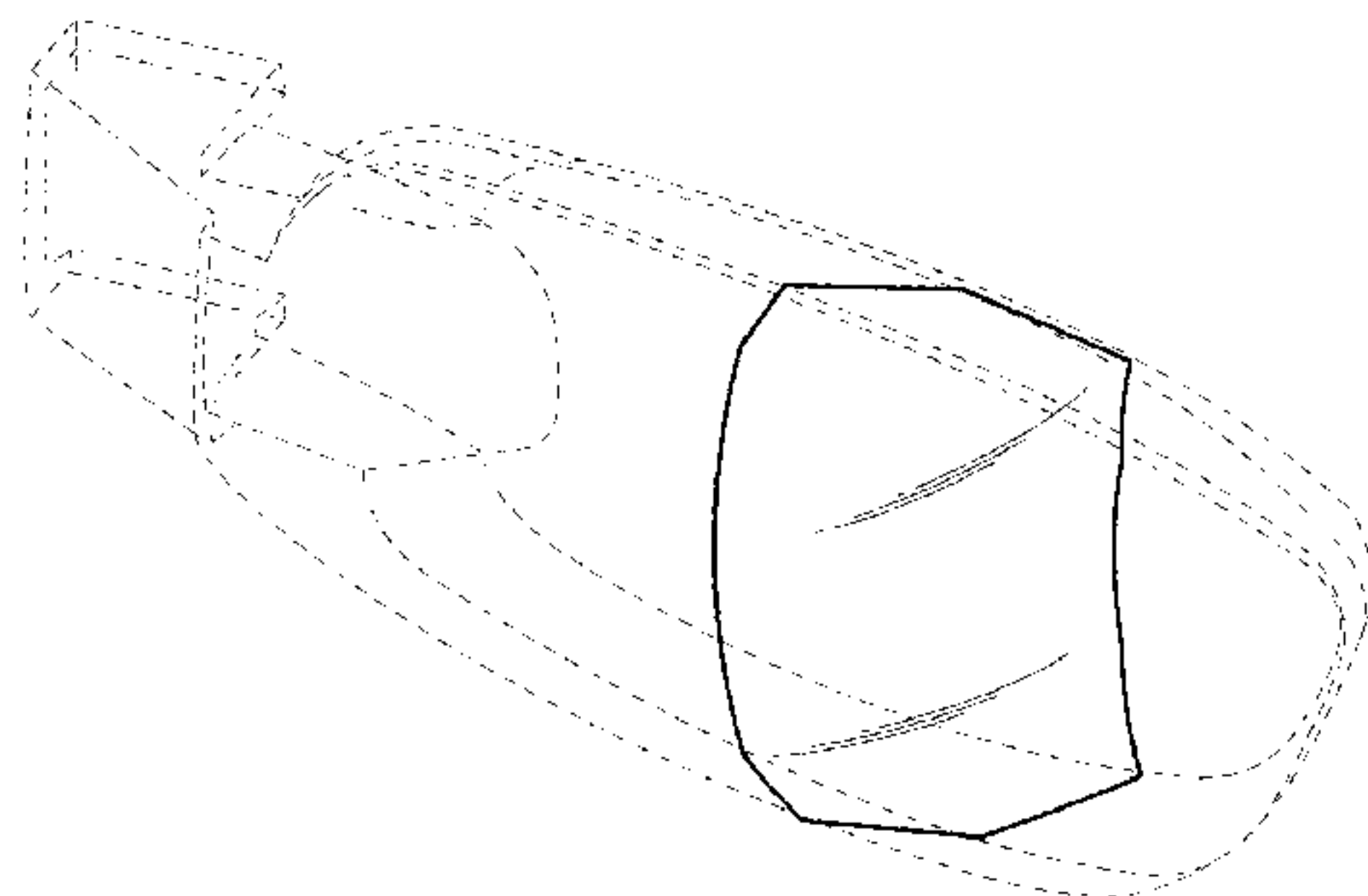
**U.S. PATENT DOCUMENTS**

1,581,659 A \* 4/1926 Roach ..... 359/834  
D91,146 S \* 12/1933 Stevens ..... D16/101

(Continued)

*Primary Examiner* — Paula Greene

**1 Claim, 9 Drawing Sheets**



(56)

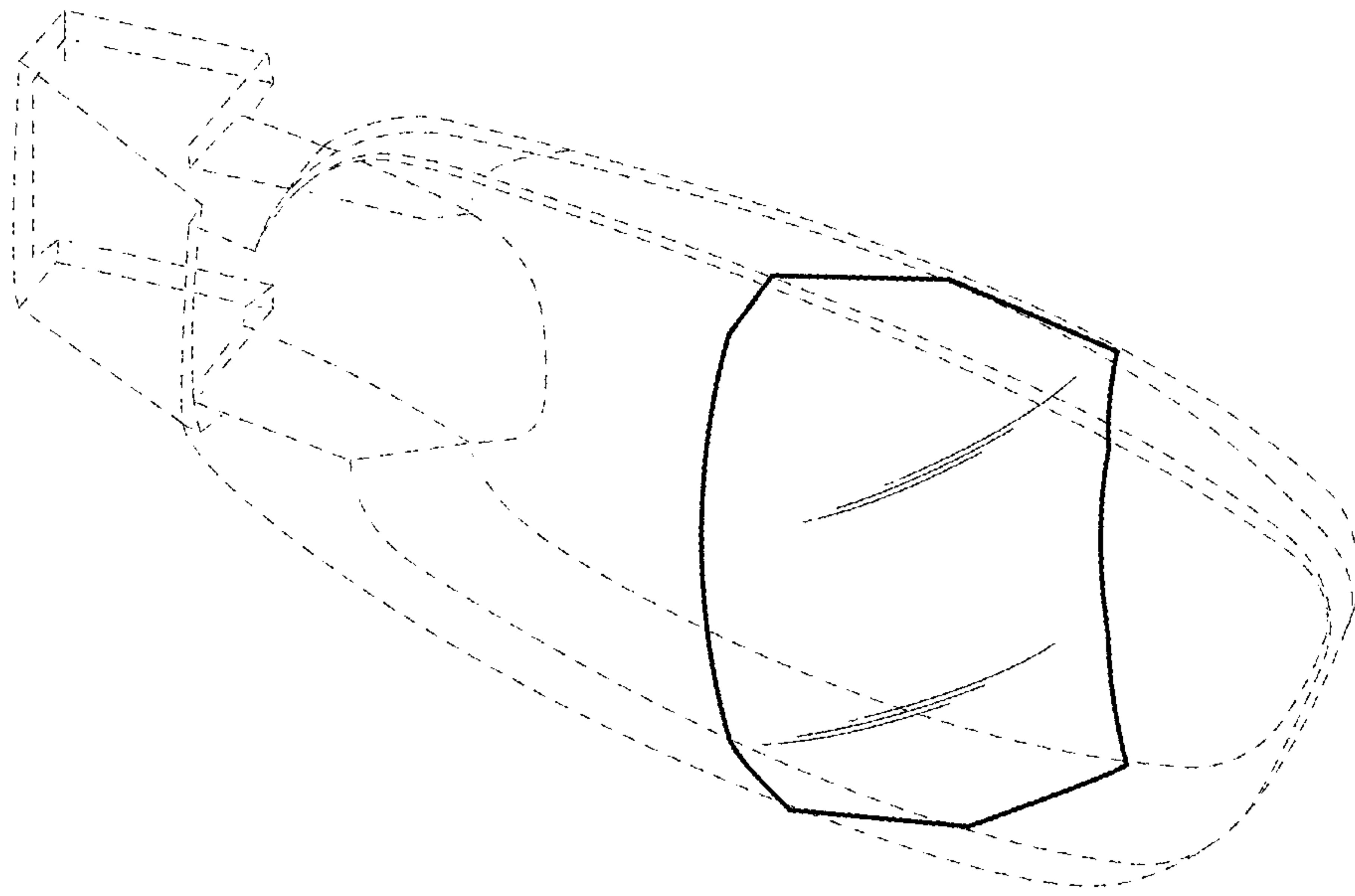
**References Cited**

U.S. PATENT DOCUMENTS

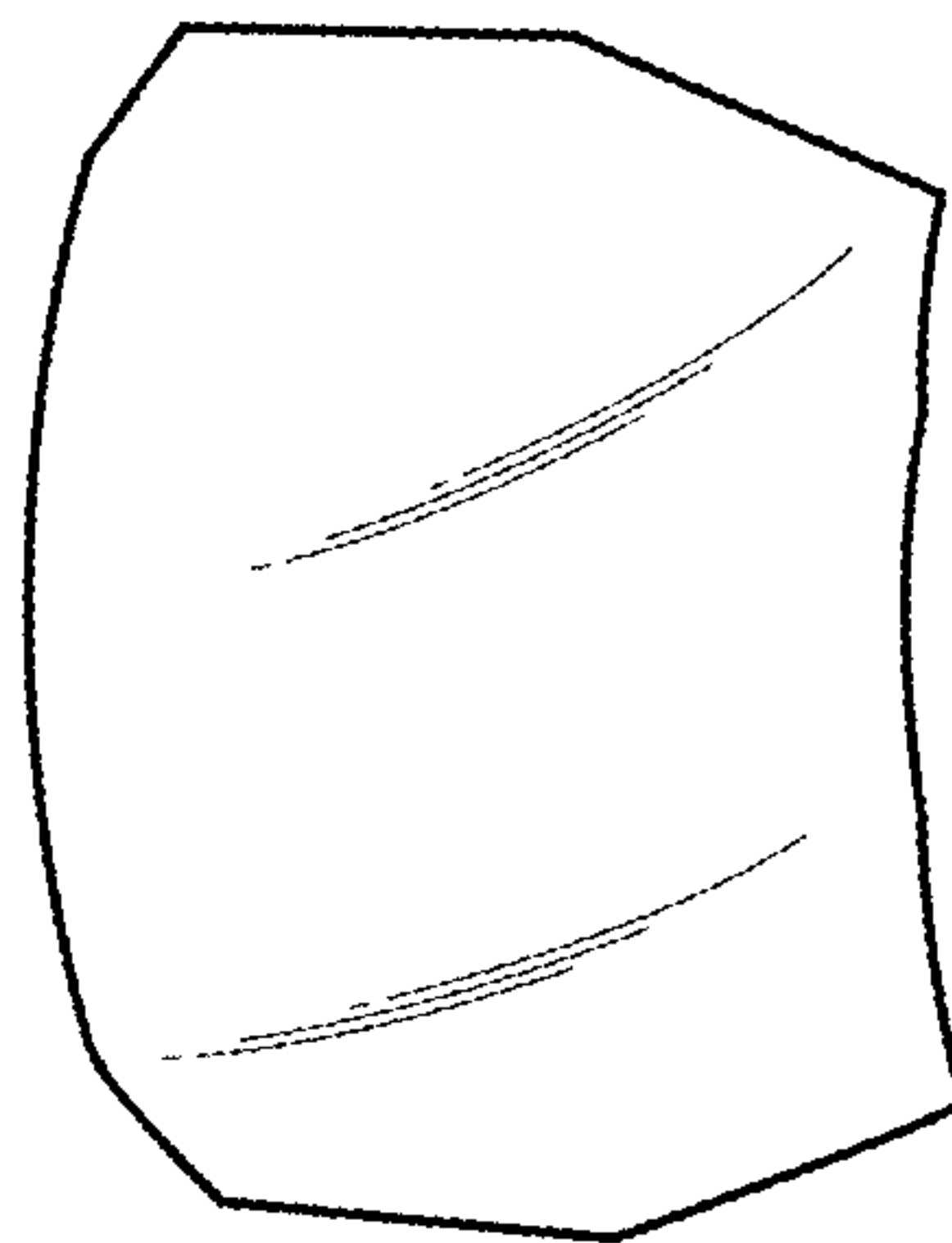
2,166,988	A *	7/1939	Fosdick	.....	359/711	6,330,121	B1 *	12/2001	Kobayashi et al.	.....	359/831
2,841,049	A *	7/1958	Scott	.....	356/508	6,441,978	B1 *	8/2002	Kobayashi et al.	.....	359/834
D191,851	S *	11/1961	Lazor	.....	D16/135	6,654,169	B2 *	11/2003	Appel	.....	359/485.02
4,170,401	A *	10/1979	Yoder et al.	.....	359/485.06	D485,287	S *	1/2004	Taylor	.....	D16/135
D366,663	S *	1/1996	Metruk	.....	D16/101	D590,426	S *	4/2009	Cameron et al.	.....	D16/135
5,936,784	A *	8/1999	Gilman	.....	359/803	7,986,471	B2 *	7/2011	Torii	.....	359/811
5,946,147	A *	8/1999	Tanaka et al.	.....	359/831	8,419,616	B2 *	4/2013	Nagamizu et al.	.....	600/109
						2009/0009895	A1 *	1/2009	Huang	.....	359/834
						2012/0002305	A1 *	1/2012	Yang	.....	359/811

\* cited by examiner

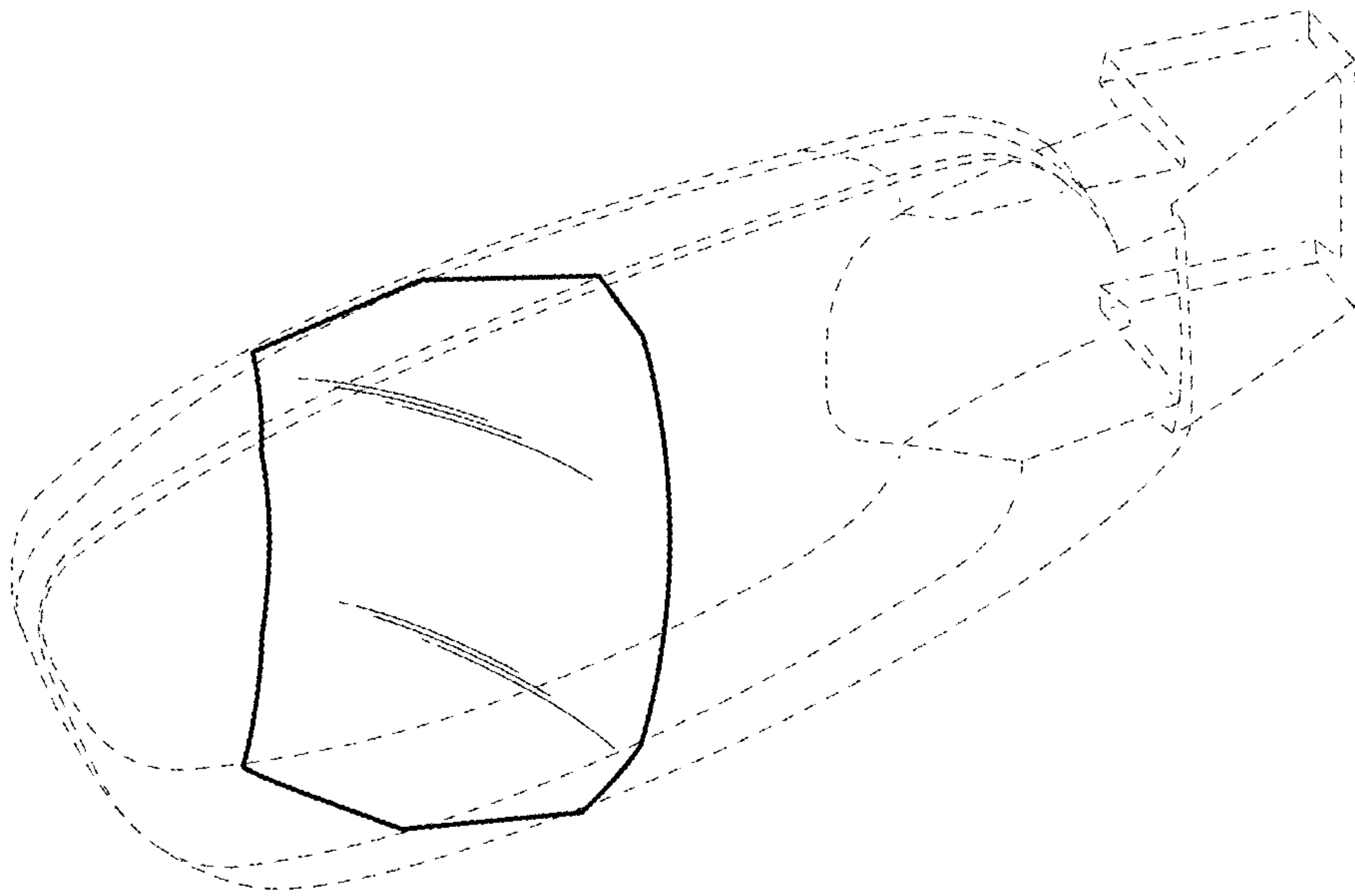
**FIG. 1A**



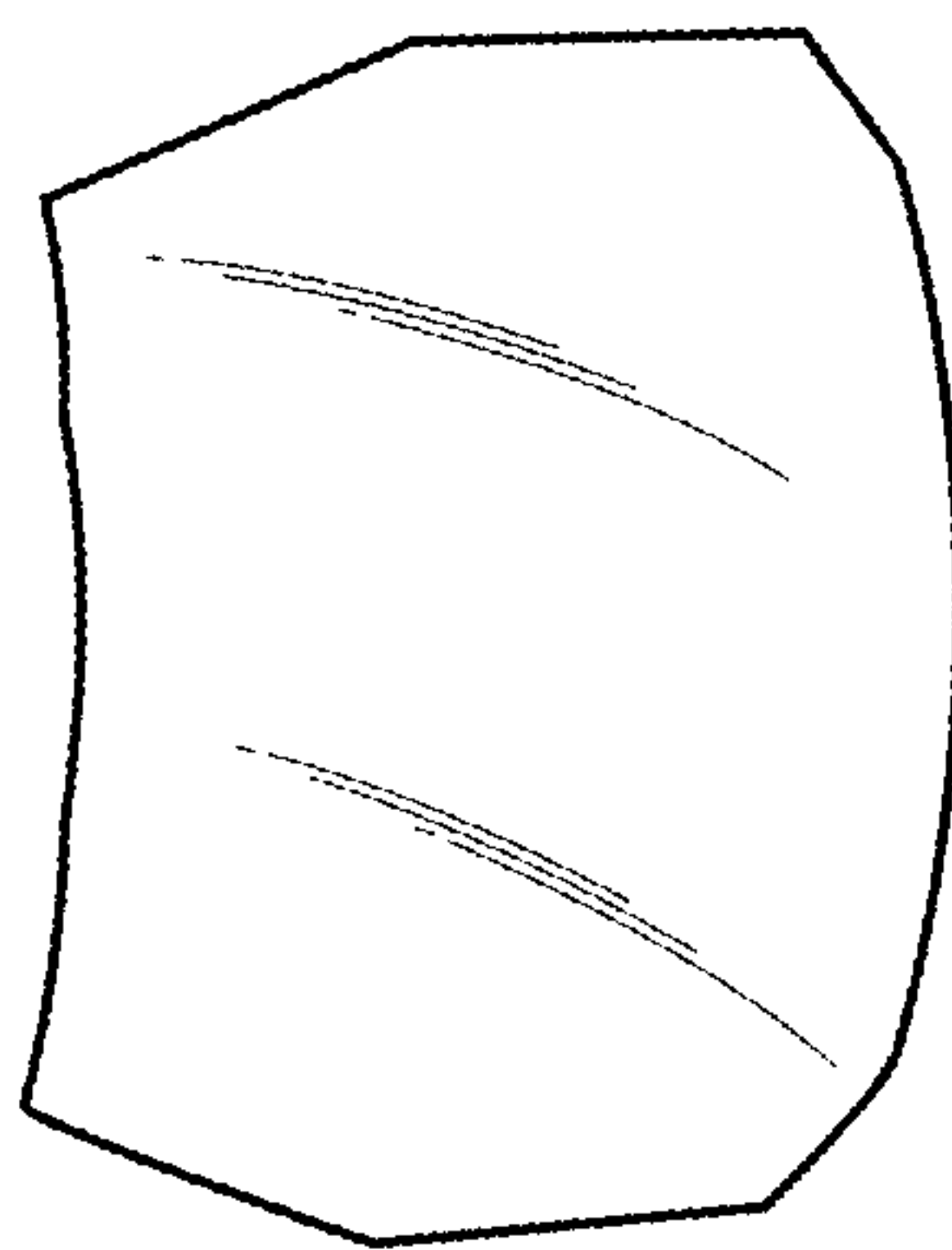
**FIG. 1B**



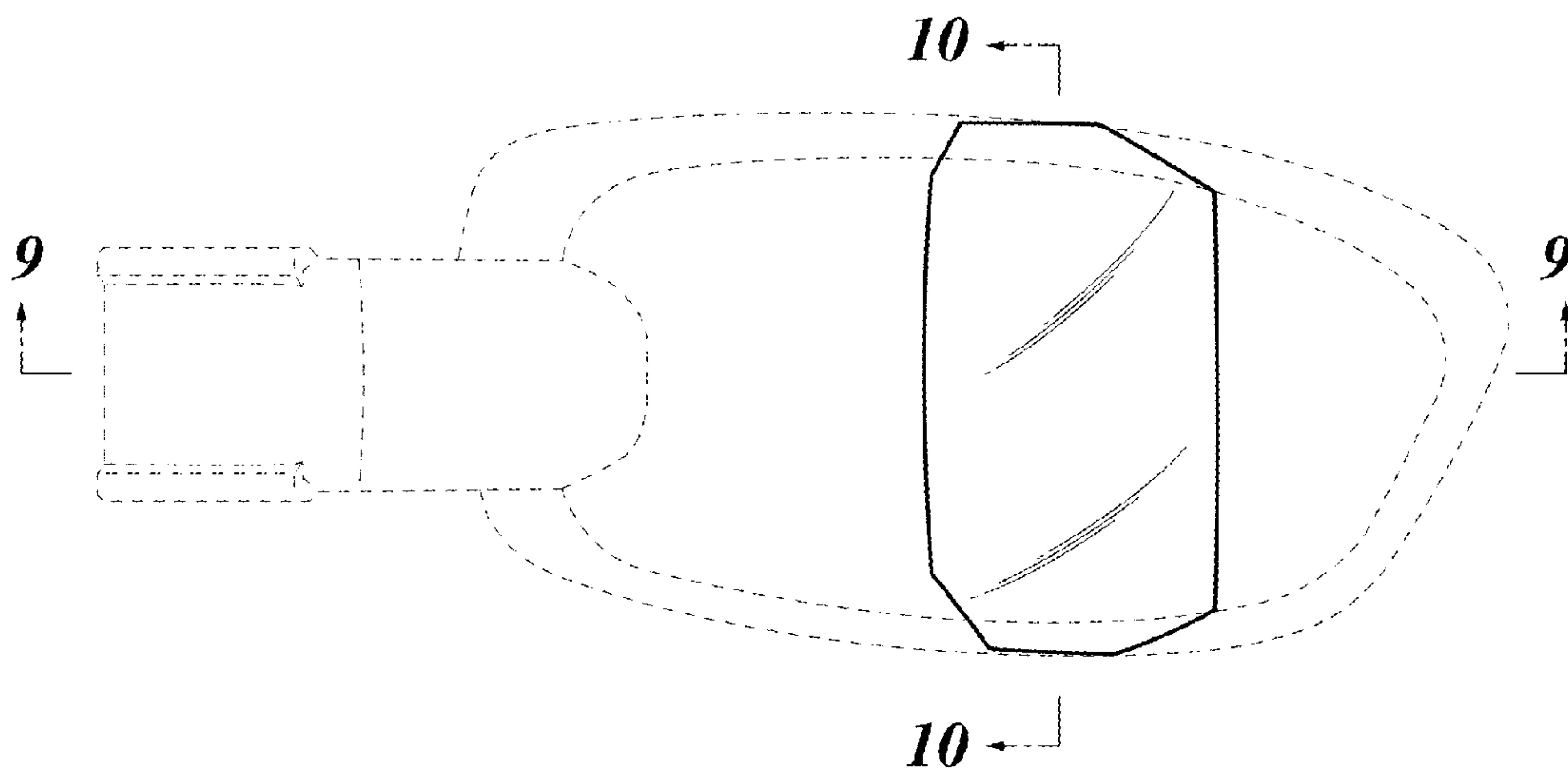
**FIG. 2A**



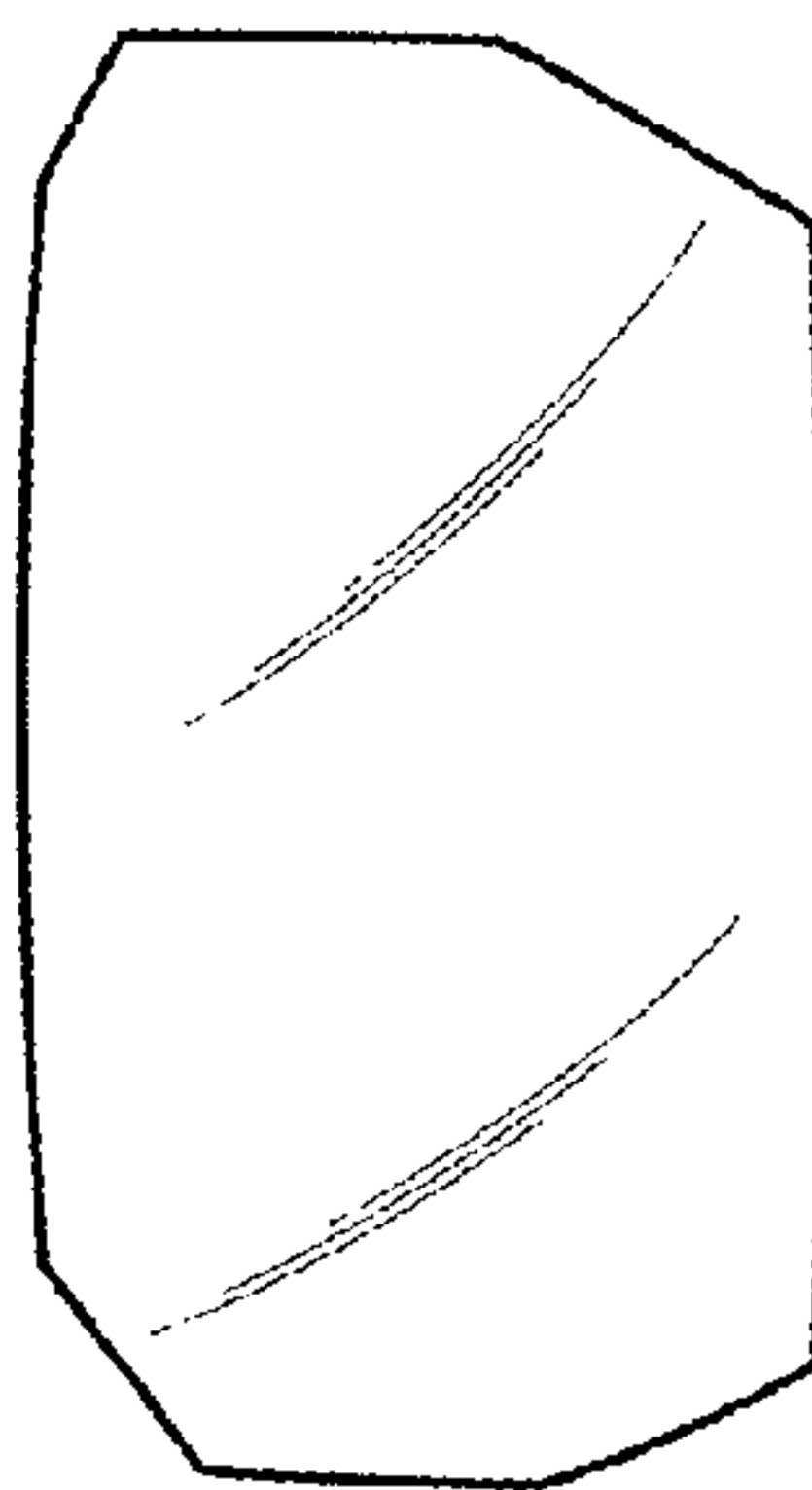
**FIG. 2B**



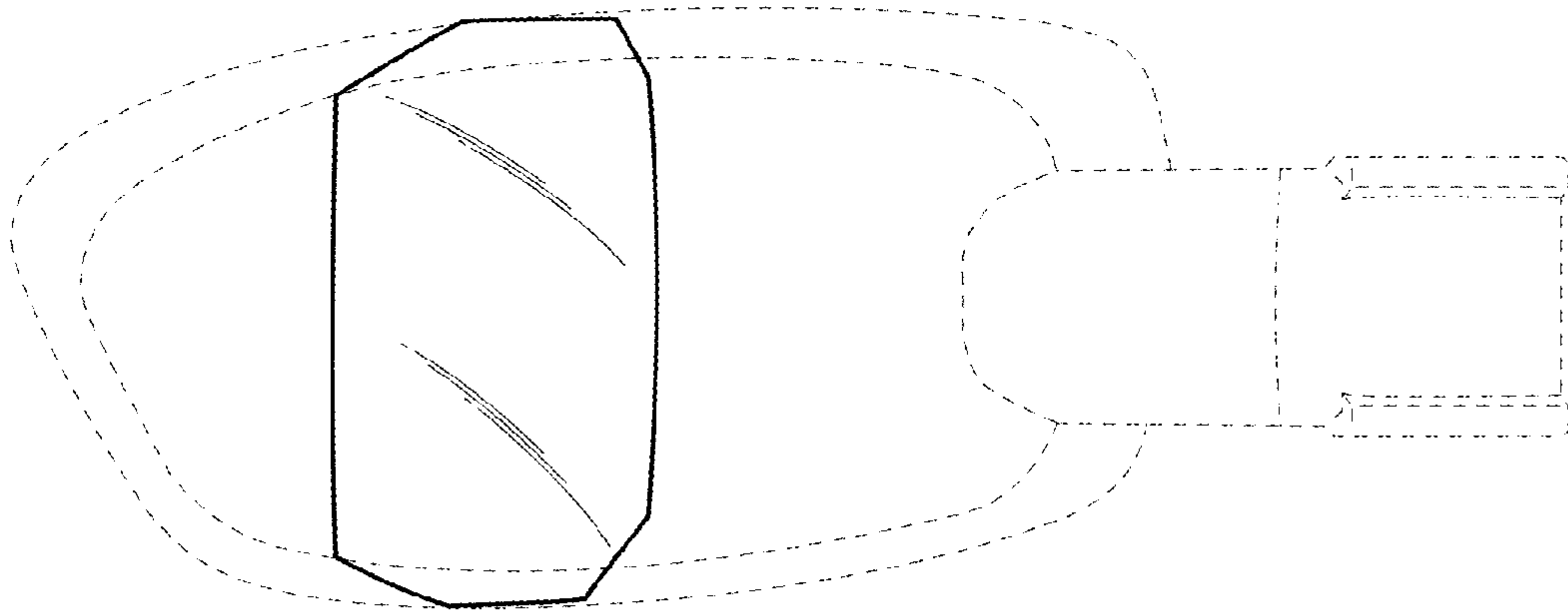
**FIG. 3A**



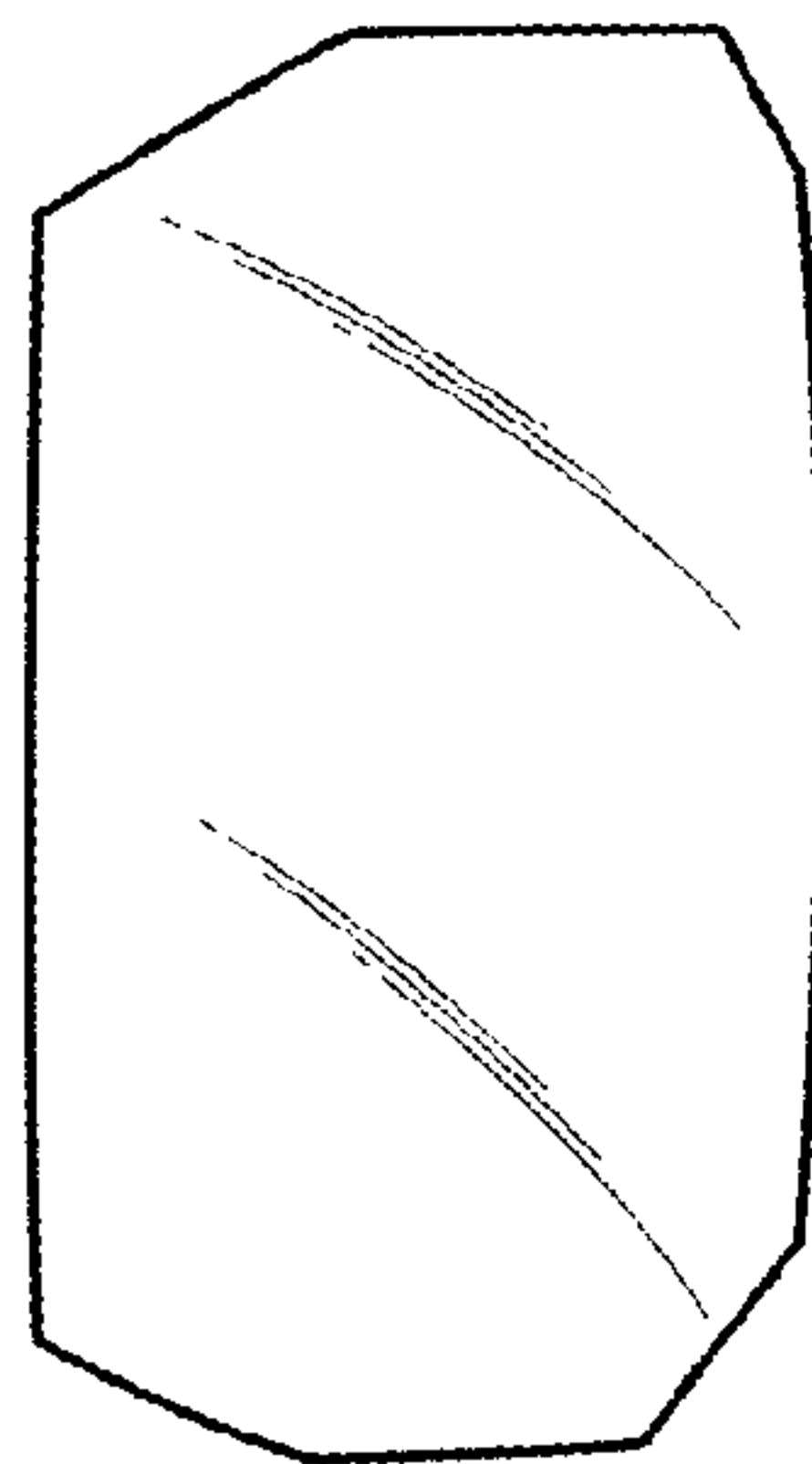
**FIG. 3B**



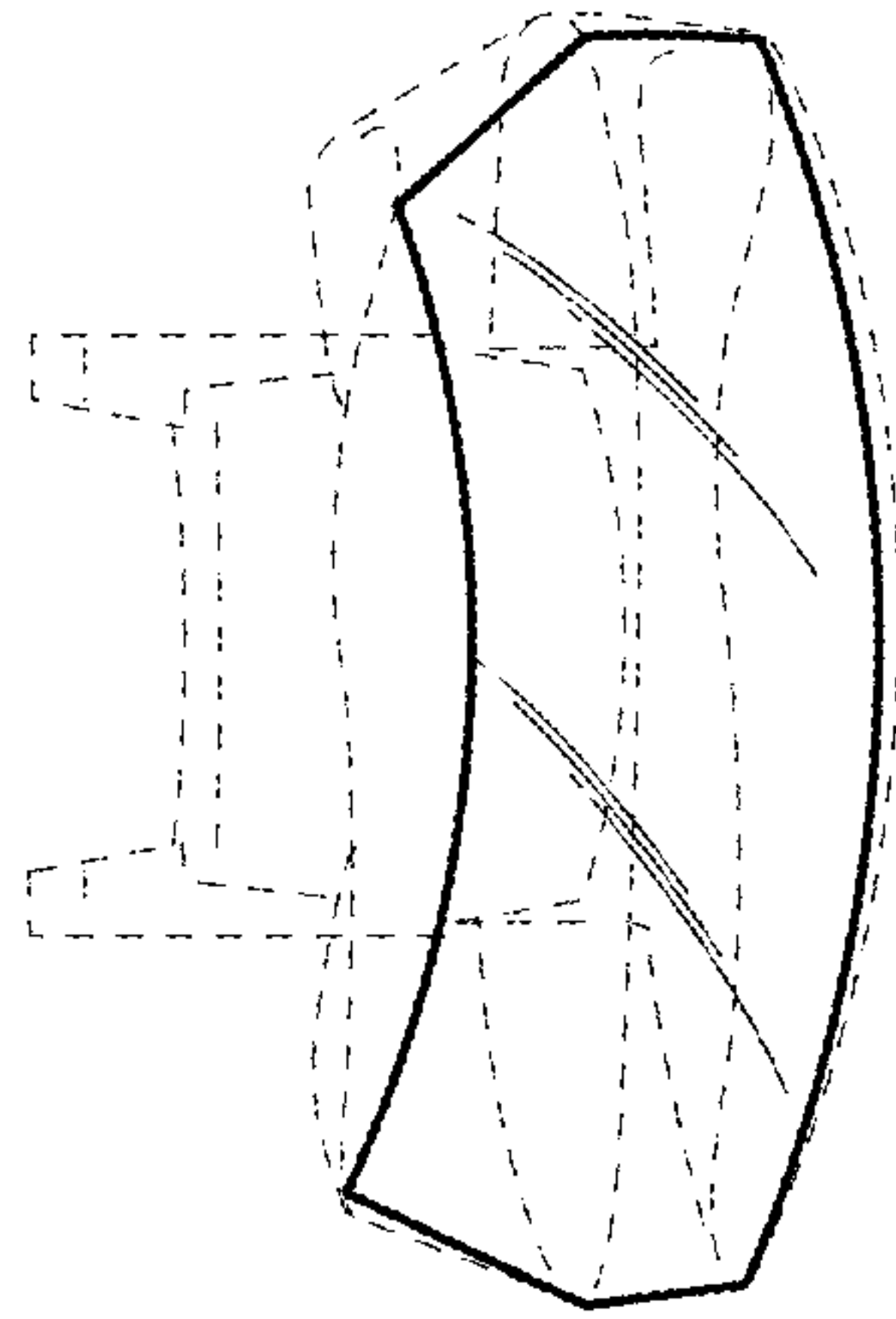
**FIG. 4A**



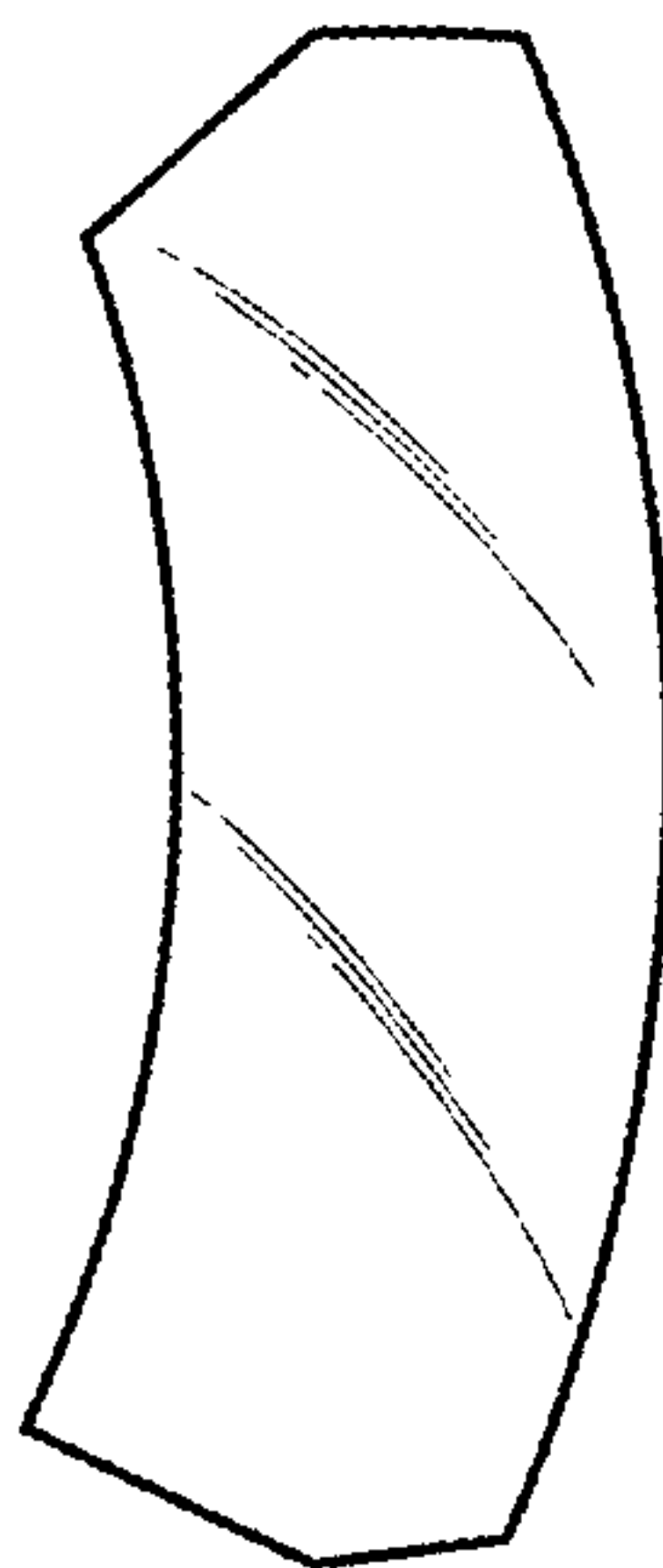
**FIG. 4B**



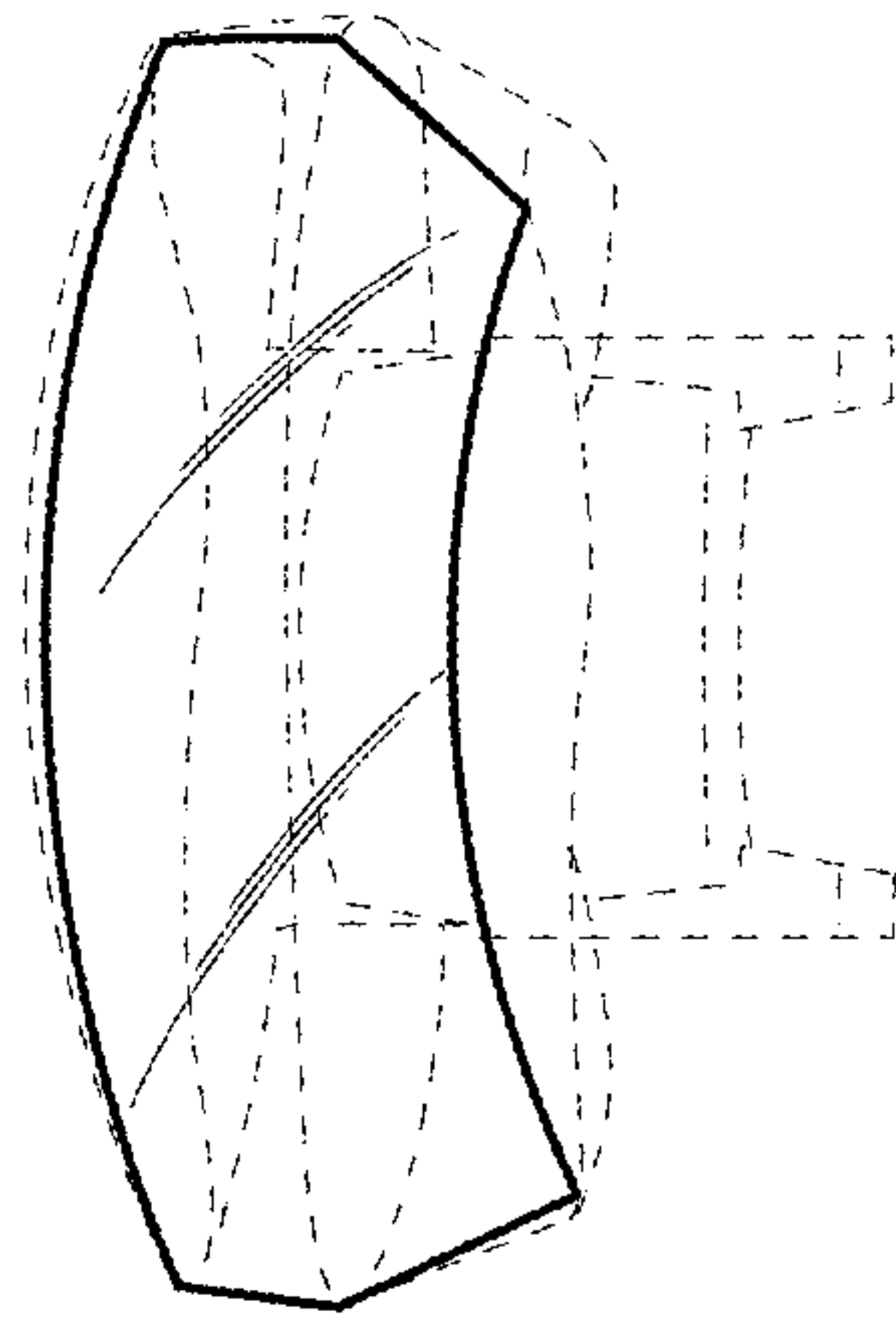
***FIG. 5A***



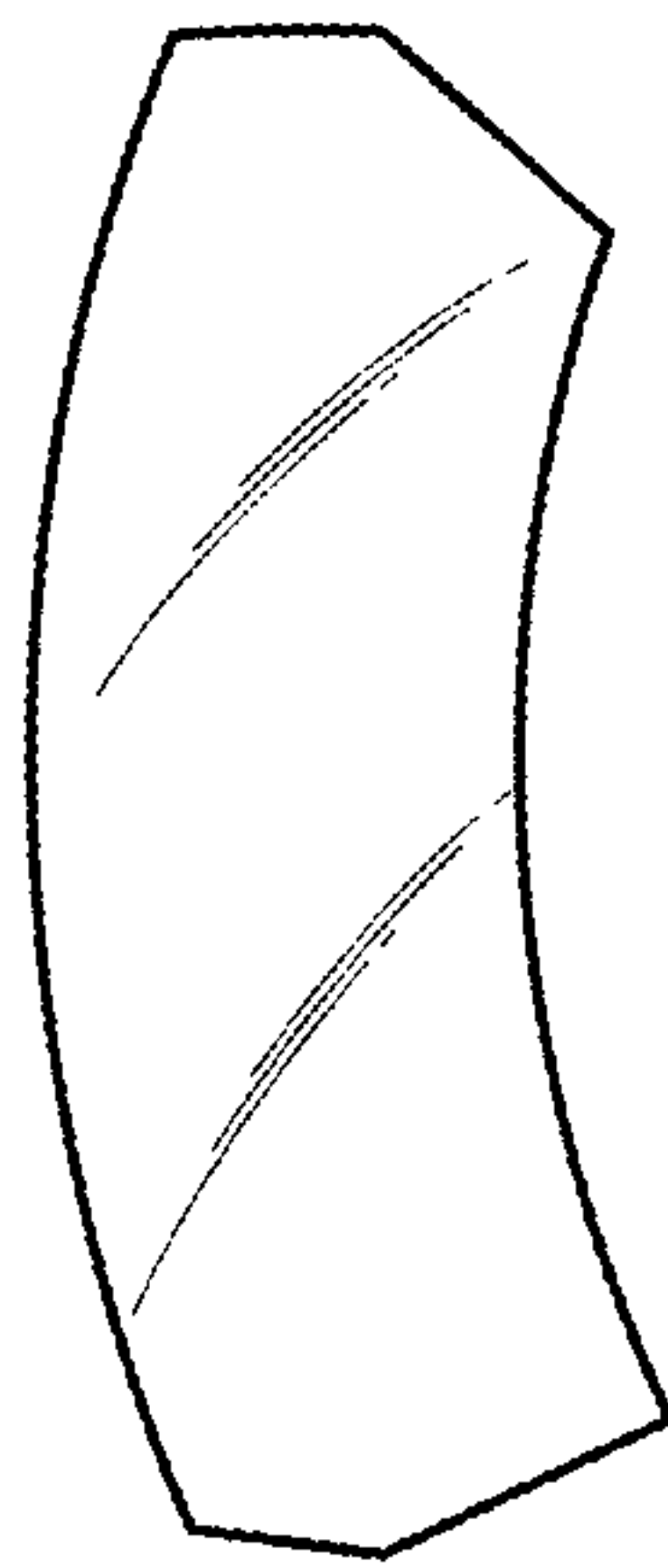
***FIG. 5B***



***FIG. 6A***

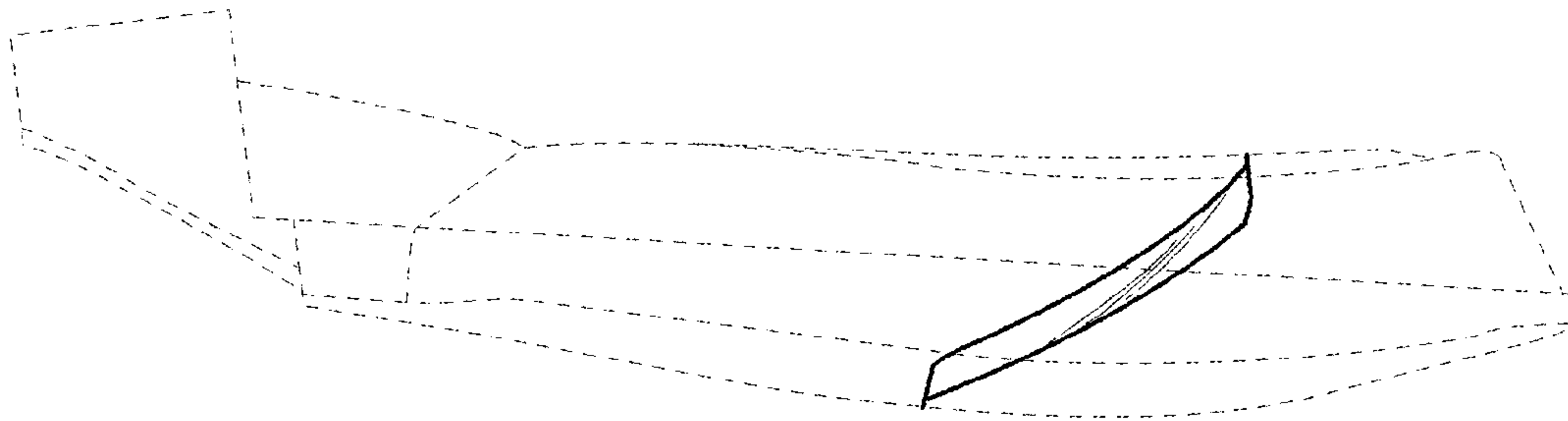


***FIG. 6B***

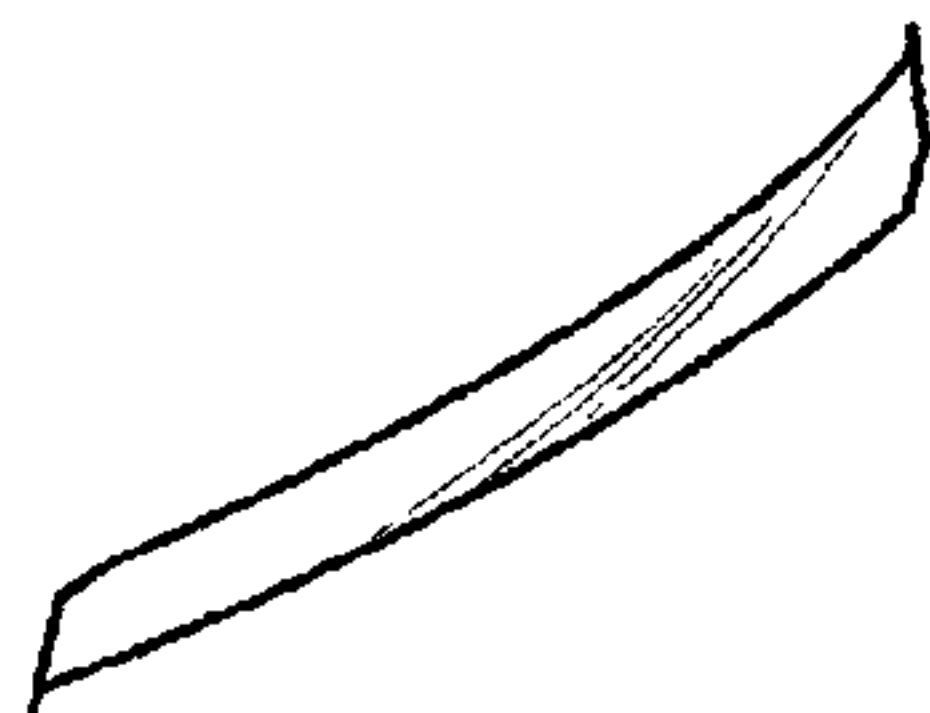




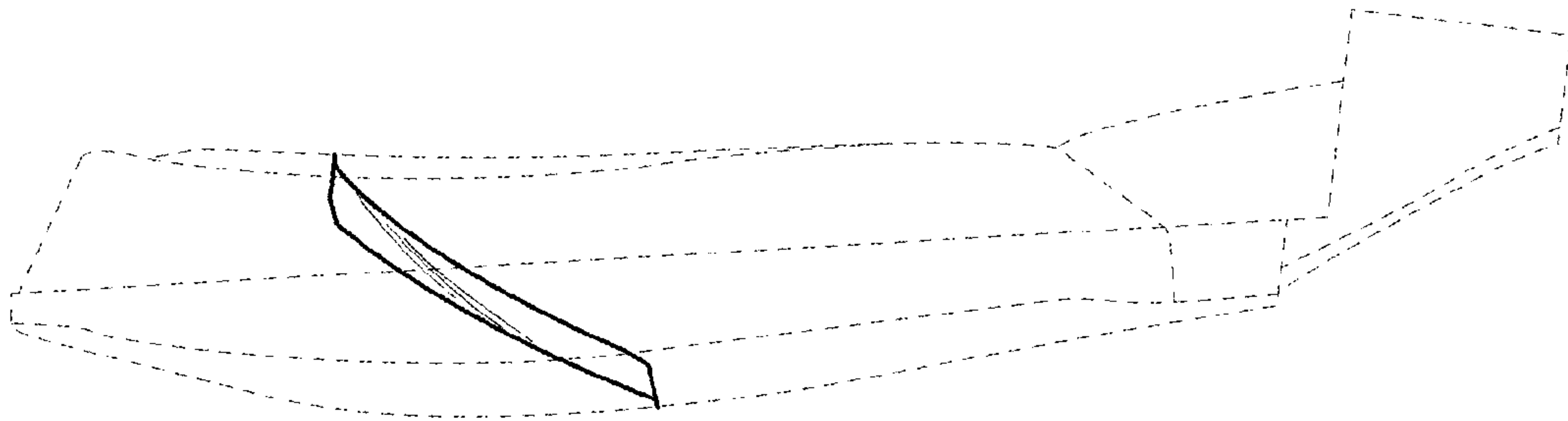
**FIG. 7A**



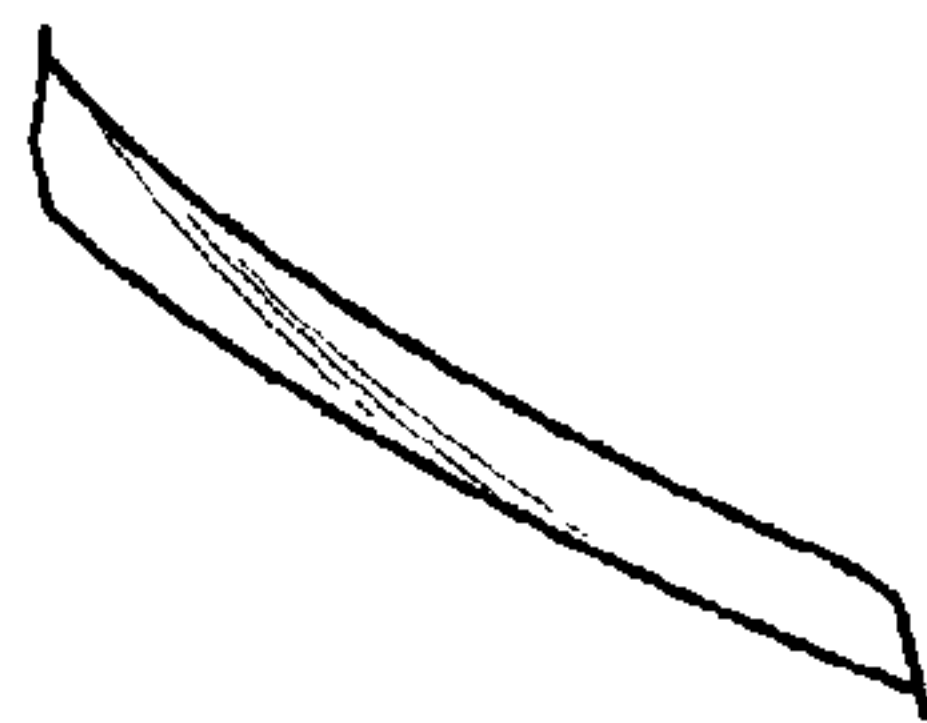
**FIG. 7B**



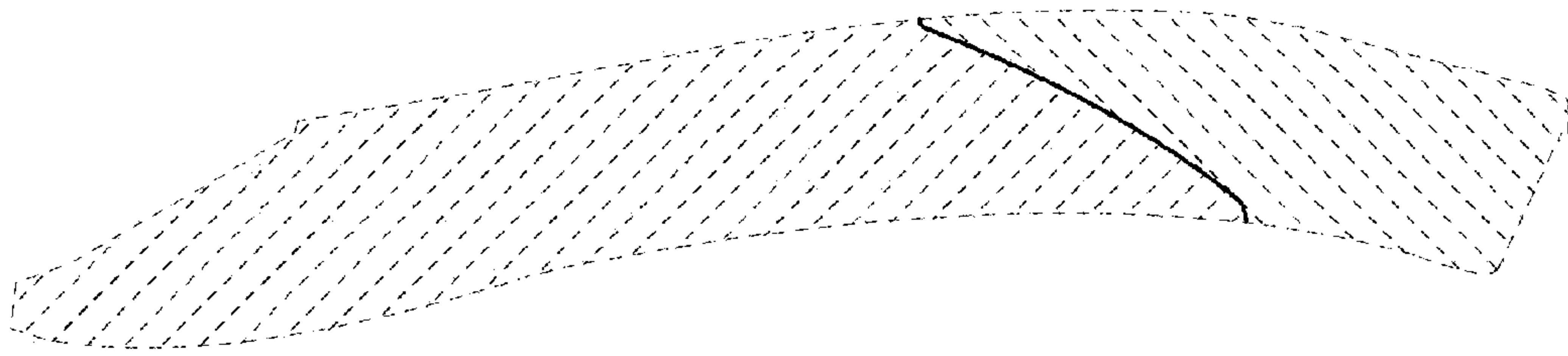
***FIG. 8A***



***FIG. 8B***



**FIG. 9**



**FIG. 10**

