



US00D713437S

(12) **United States Design Patent**
Soejima et al.

(10) **Patent No.:** **US D713,437 S**
(45) **Date of Patent:** **** Sep. 16, 2014**

(54) **BINOCULARS**

(71) Applicant: **Nikon Vision Co., Ltd.**, Tokyo (JP)

(72) Inventors: **Kenichi Soejima**, Yokohama (JP); **Shiki Inoue**, Tokyo (JP)

(73) Assignee: **Nikon Vision Co., Ltd.**, Tokyo (JP)

(**) Term: **14 Years**

(21) Appl. No.: **29/459,086**

(22) Filed: **Jun. 25, 2013**

(51) **LOC (10) Cl.** **16-06**

(52) **U.S. Cl.**
USPC **D16/133**

(58) **Field of Classification Search**
CPC G02B 23/00
USPC D16/133; 359/407-416, 418-420, 819,
359/822, 823-826

See application file for complete search history.

(56) **References Cited**

U.S. PATENT DOCUMENTS

D367,662 S *	3/1996	Chan	D16/133
D486,507 S *	2/2004	Fujii	D16/133
D492,335 S *	6/2004	Watanabe	D16/133
D523,047 S *	6/2006	Swift et al.	D16/133
D551,272 S *	9/2007	Fujii	D16/133
D567,275 S *	4/2008	Hayamizu	D16/133
D590,857 S *	4/2009	Fujii	D16/133

D623,676 S *	9/2010	Yanagisawa	D16/133
D627,378 S *	11/2010	Watanabe	D16/133
D662,118 S *	6/2012	Soejima	D16/133
D662,119 S *	6/2012	Hoshi et al.	D16/133
D687,081 S *	7/2013	Radau et al.	D16/133
2006/0023302 A1 *	2/2006	Shimizu	359/407

FOREIGN PATENT DOCUMENTS

JP 1439518 5/2012

* cited by examiner

Primary Examiner — Paula Greene

(74) *Attorney, Agent, or Firm* — Wolf, Greenfield & Sacks, P.C.; Randy J. Pritzker

(57) **CLAIM**

The ornamental design for binoculars, as shown and described.

DESCRIPTION

FIG. 1 is a front perspective view of binoculars showing our new design;
FIG. 2 is a rear perspective view thereof;
FIG. 3 is a front view thereof;
FIG. 4 is a rear view thereof;
FIG. 5 is a top plan view thereof;
FIG. 6 is a bottom plan view thereof;
FIG. 7 is a right side view thereof; and,
FIG. 8 is a left side view thereof.

1 Claim, 8 Drawing Sheets

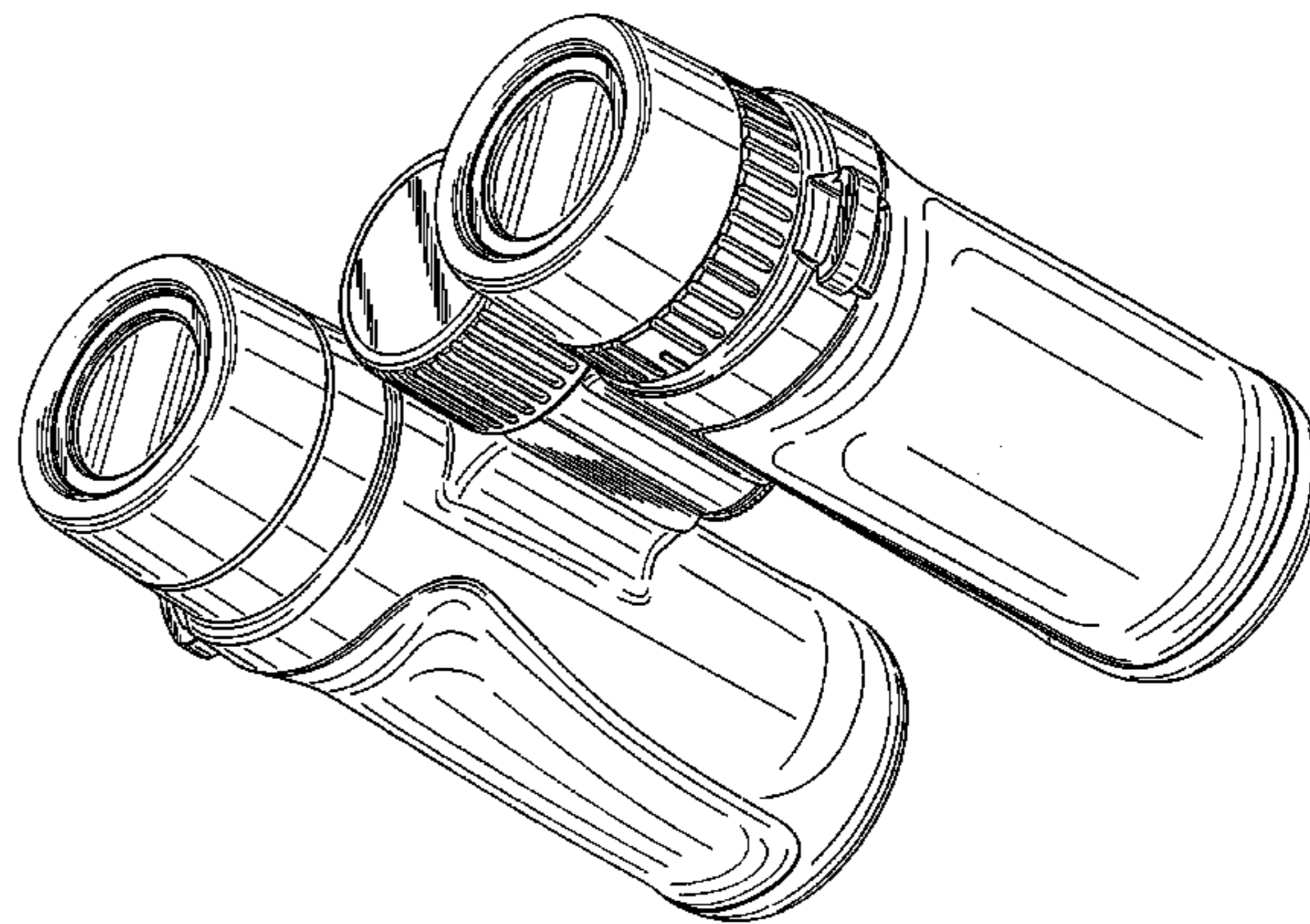
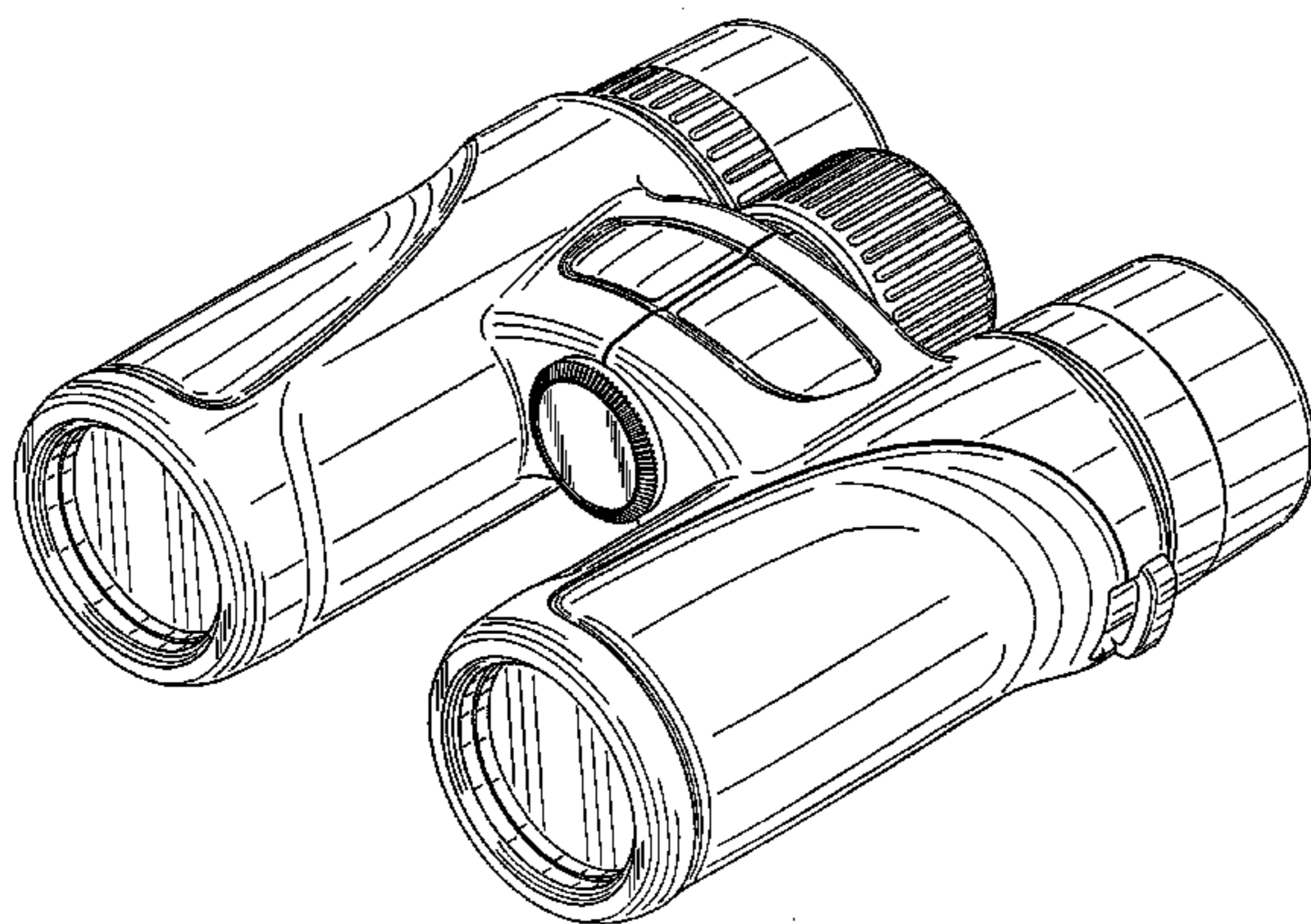


FIG. 1

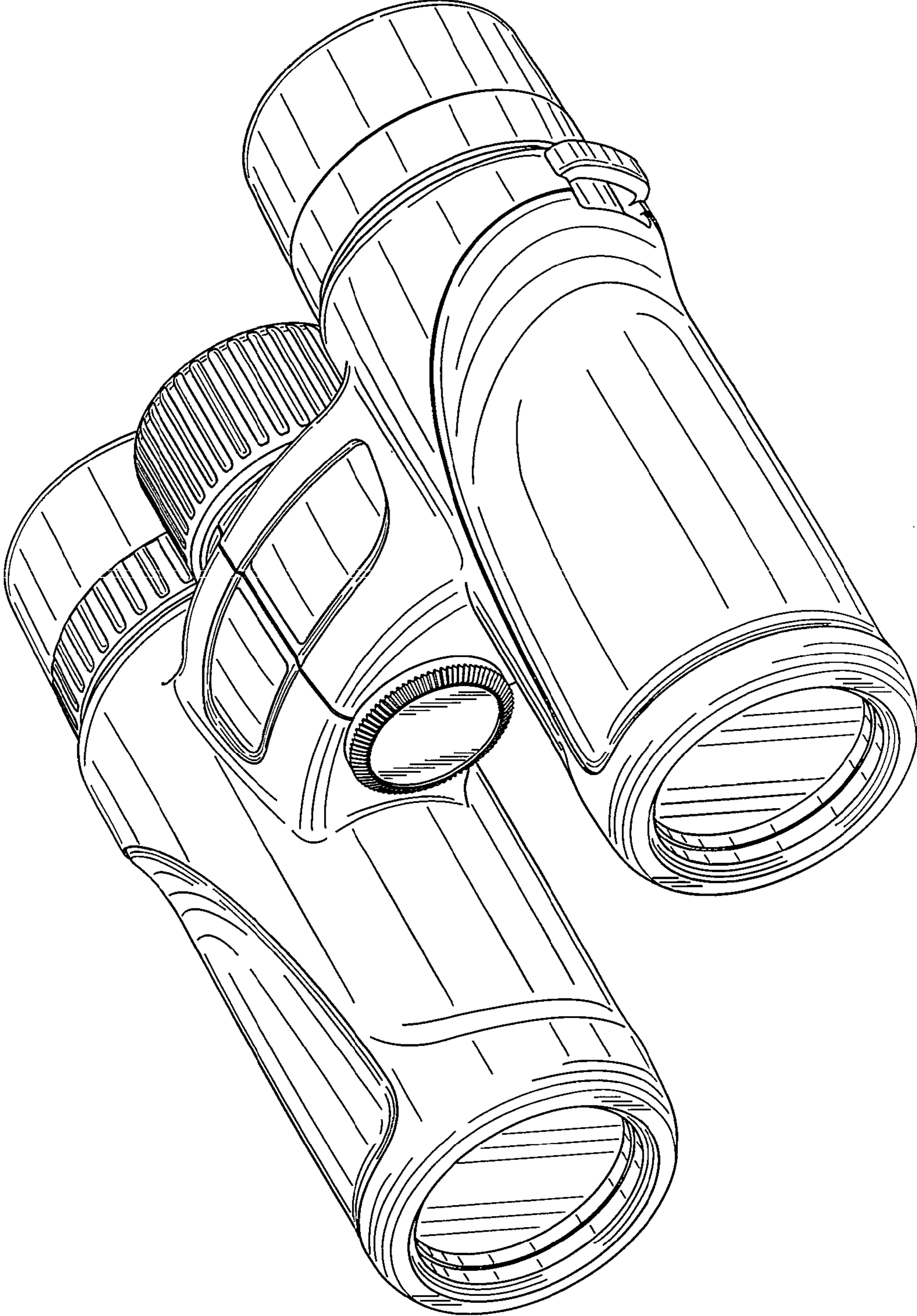


FIG.2

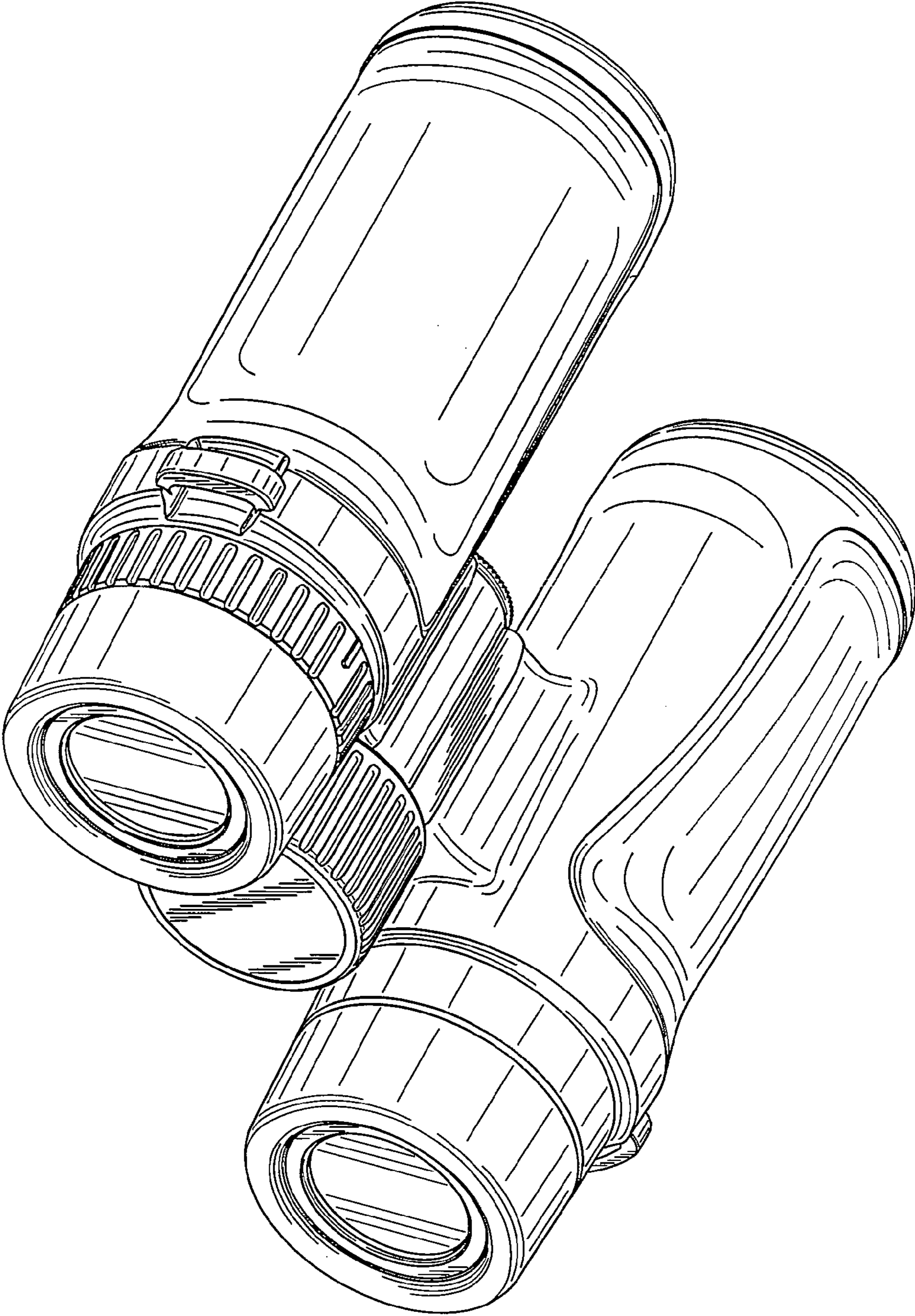


FIG.3

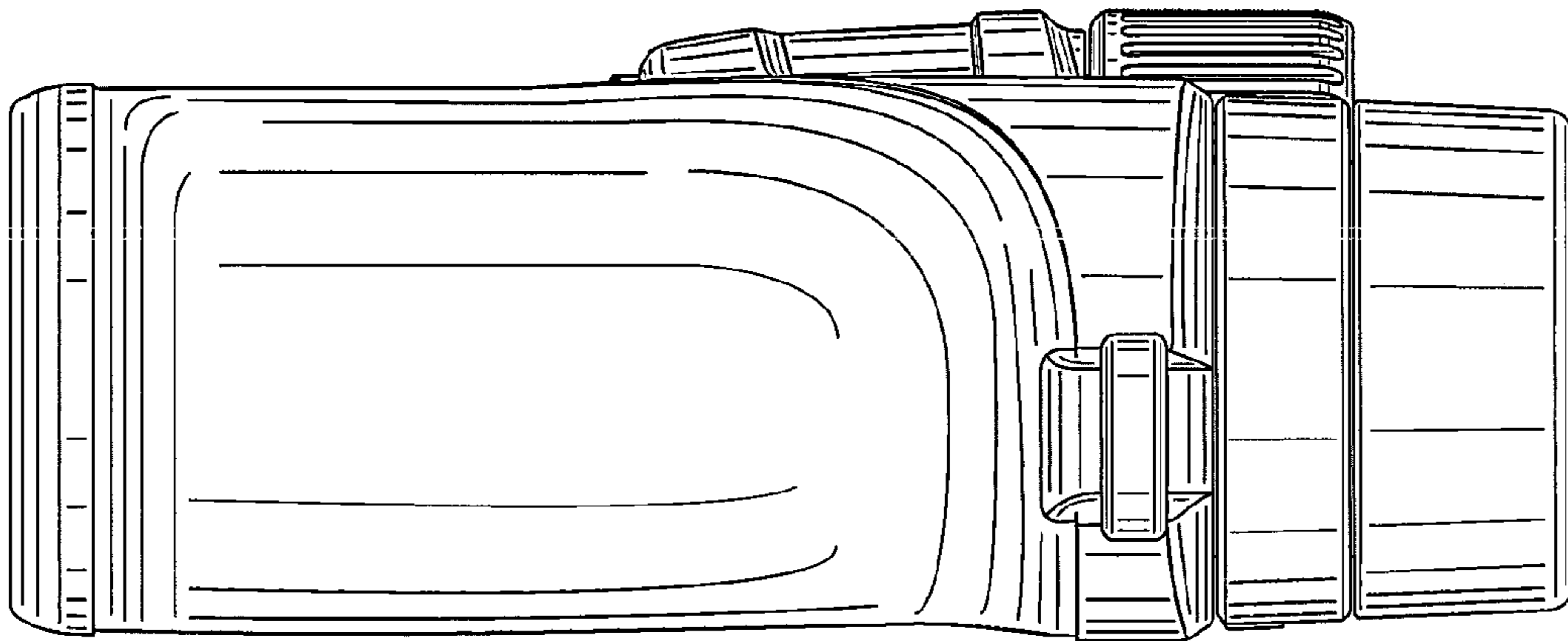


FIG.4

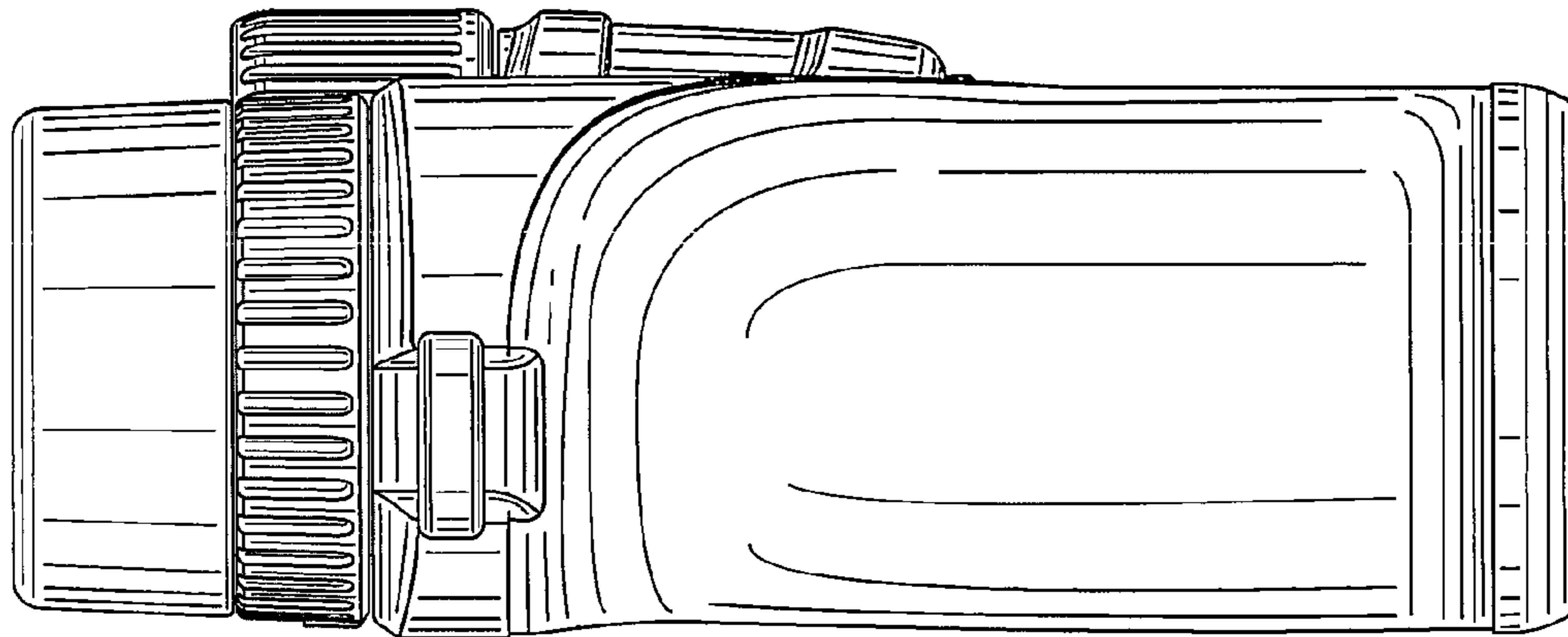


FIG.5

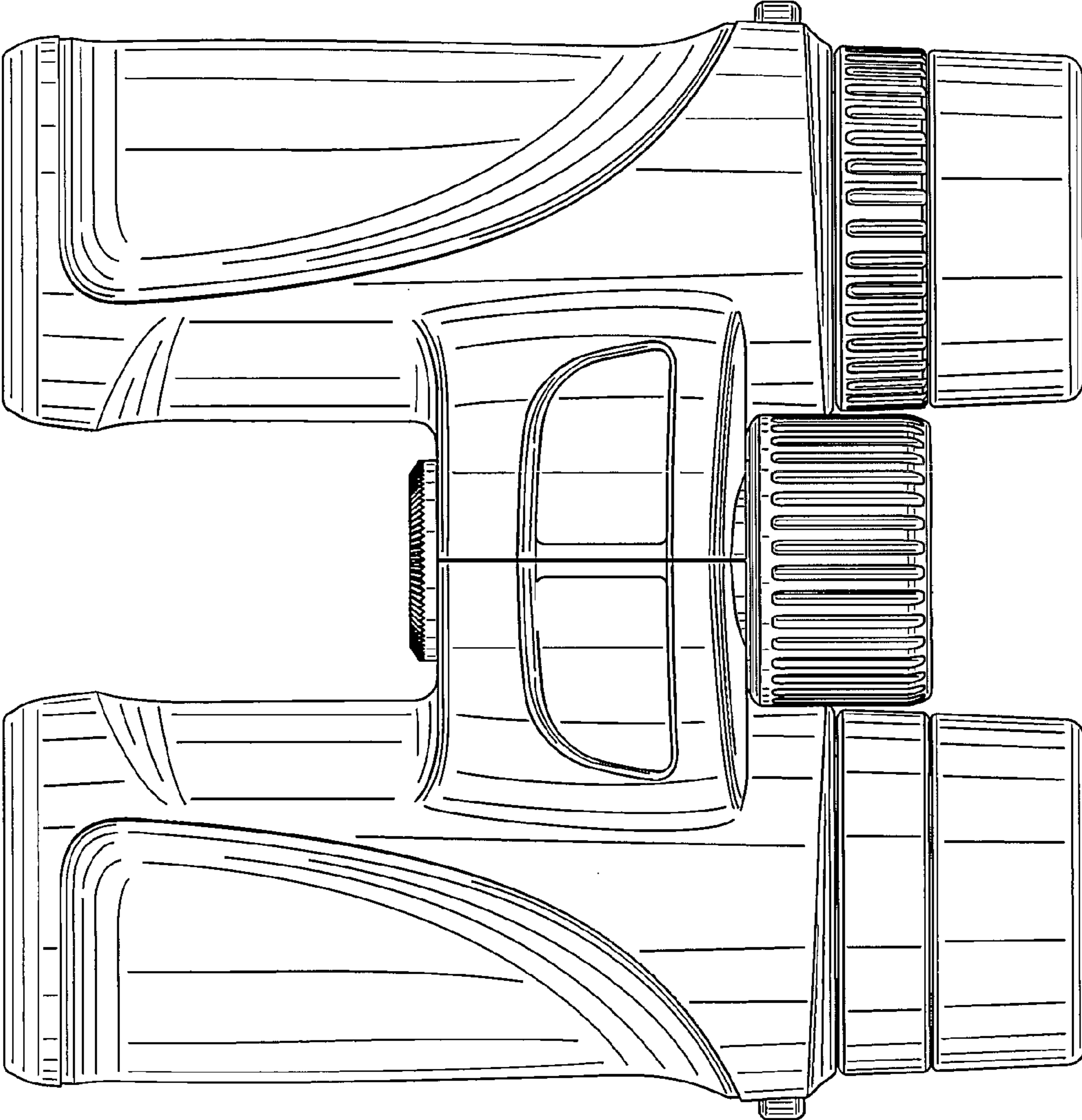


FIG.6

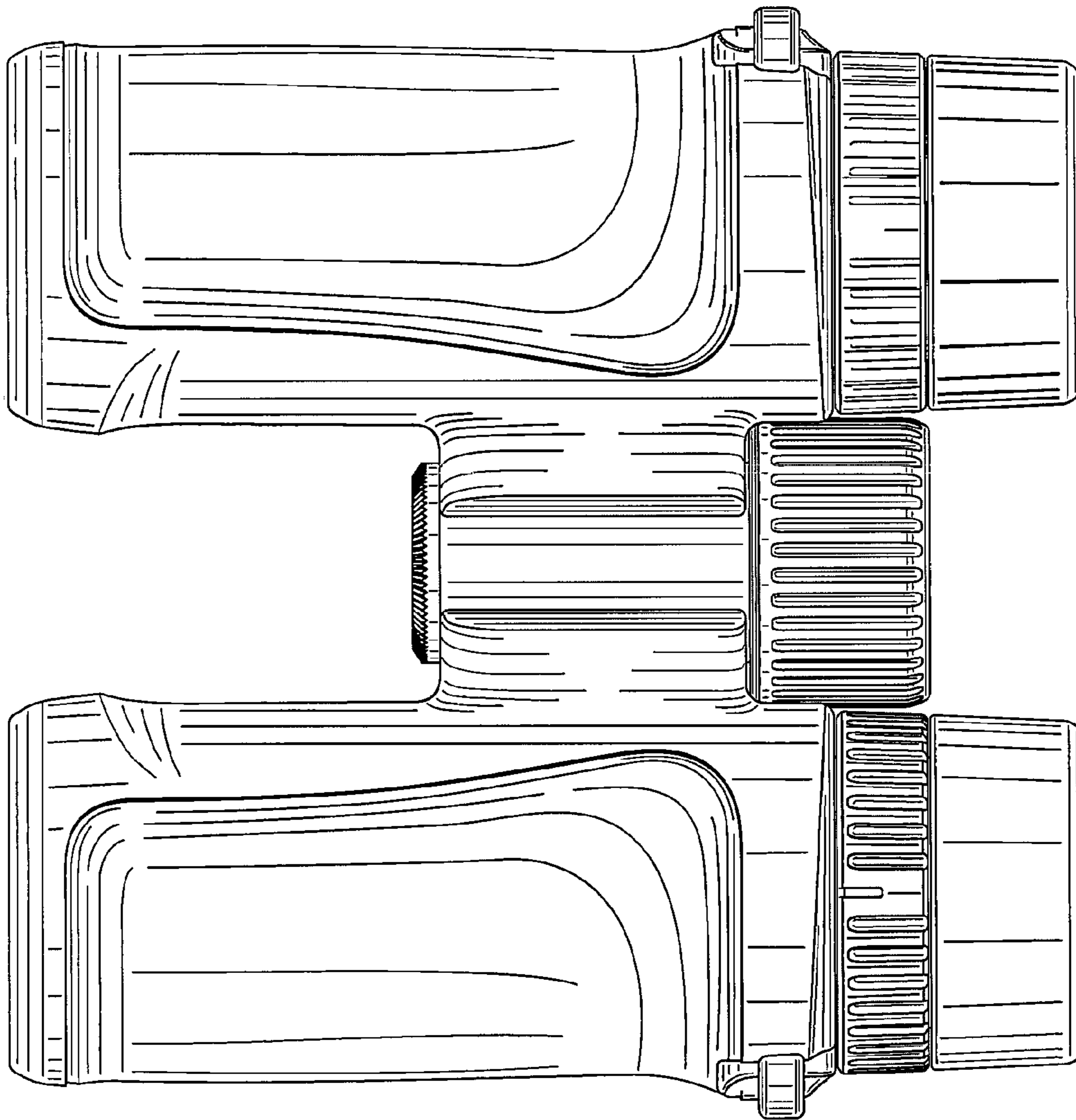


FIG.7

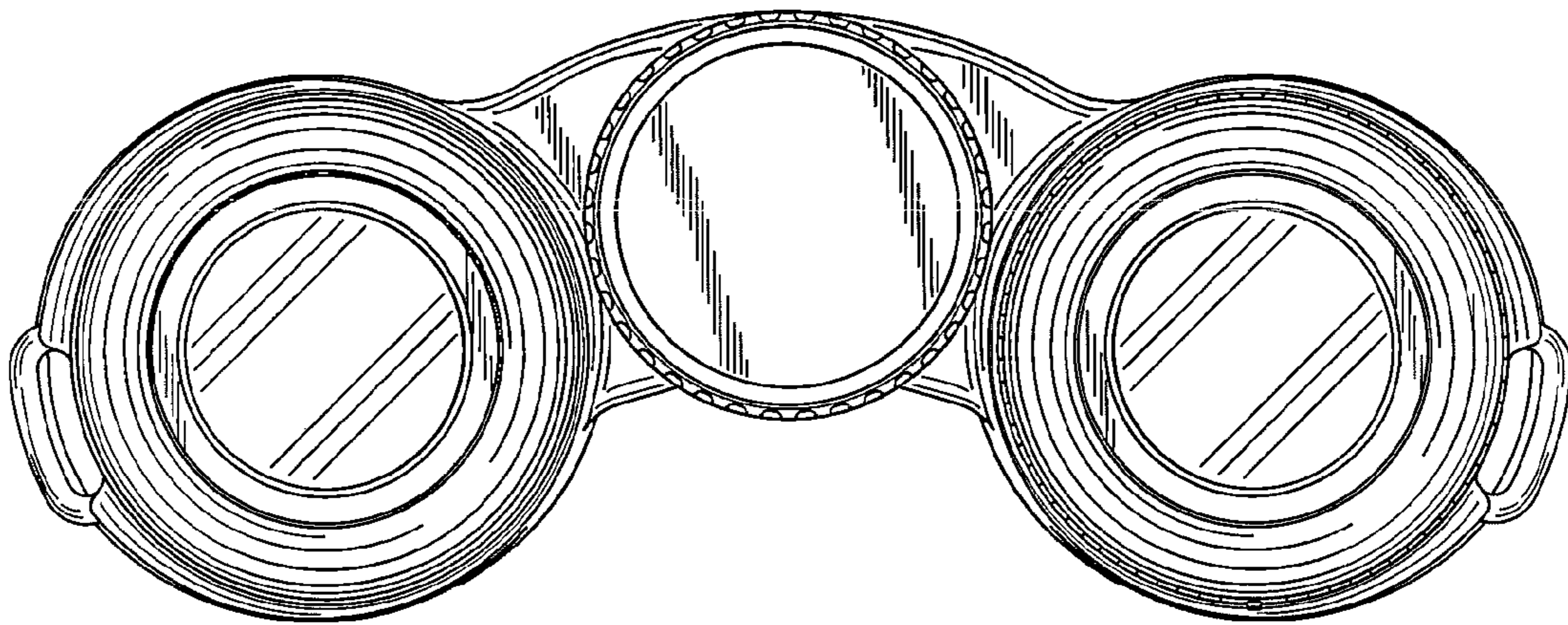


FIG.8

