



US00D713436S

(12) **United States Design Patent**
Liu

(10) **Patent No.:** **US D713,436 S**

(45) **Date of Patent:** **** Sep. 16, 2014**

(54) **ROBOT**

(71) Applicant: **Hon Hai Precision Industry Co., Ltd.,**
New Taipei (TW)

(72) Inventor: **Zhen-Xing Liu, Shenzhen (CN)**

(73) Assignee: **Hon Hai Precision Industry Co., Ltd.,**
New Taipei (TW)

(**) Term: **14 Years**

(21) Appl. No.: **29/478,054**

(22) Filed: **Dec. 31, 2013**

(30) **Foreign Application Priority Data**

Nov. 28, 2013 (CN) 2013 3 05825280

(51) **LOC (10) Cl.** **15-99**

(52) **U.S. Cl.**
USPC **D15/199**

(58) **Field of Classification Search**
CPC B25J 17/00; B25J 9/047; B25J 13/084;
B25J 19/0075; B25J 9/0087
USPC D15/122, 199; D24/176
See application file for complete search history.

(56) **References Cited**

U.S. PATENT DOCUMENTS

D440,241 S * 4/2001 Kawahara et al. D15/199
D443,287 S * 6/2001 Kawahara et al. D15/199

D615,574 S * 5/2010 Liu et al. D15/199
D616,477 S * 5/2010 Long et al. D15/199
D624,104 S * 9/2010 Miyake et al. D15/199
D629,030 S * 12/2010 Long et al. D15/199
D638,044 S * 5/2011 Ikoma et al. D15/199
D650,820 S * 12/2011 Long D15/199
D681,708 S * 5/2013 Miyake et al. D15/199
2005/0092122 A1 * 5/2005 Markert et al. 74/490.01
2005/0126327 A1 * 6/2005 Markert et al. 74/490.02
2014/0047940 A1 * 2/2014 Yamamoto 74/490.05

* cited by examiner

Primary Examiner — Patricia Palasik

(74) *Attorney, Agent, or Firm* — Novak Druce Connolly
Bove + Quigg LLP

(57) **CLAIM**

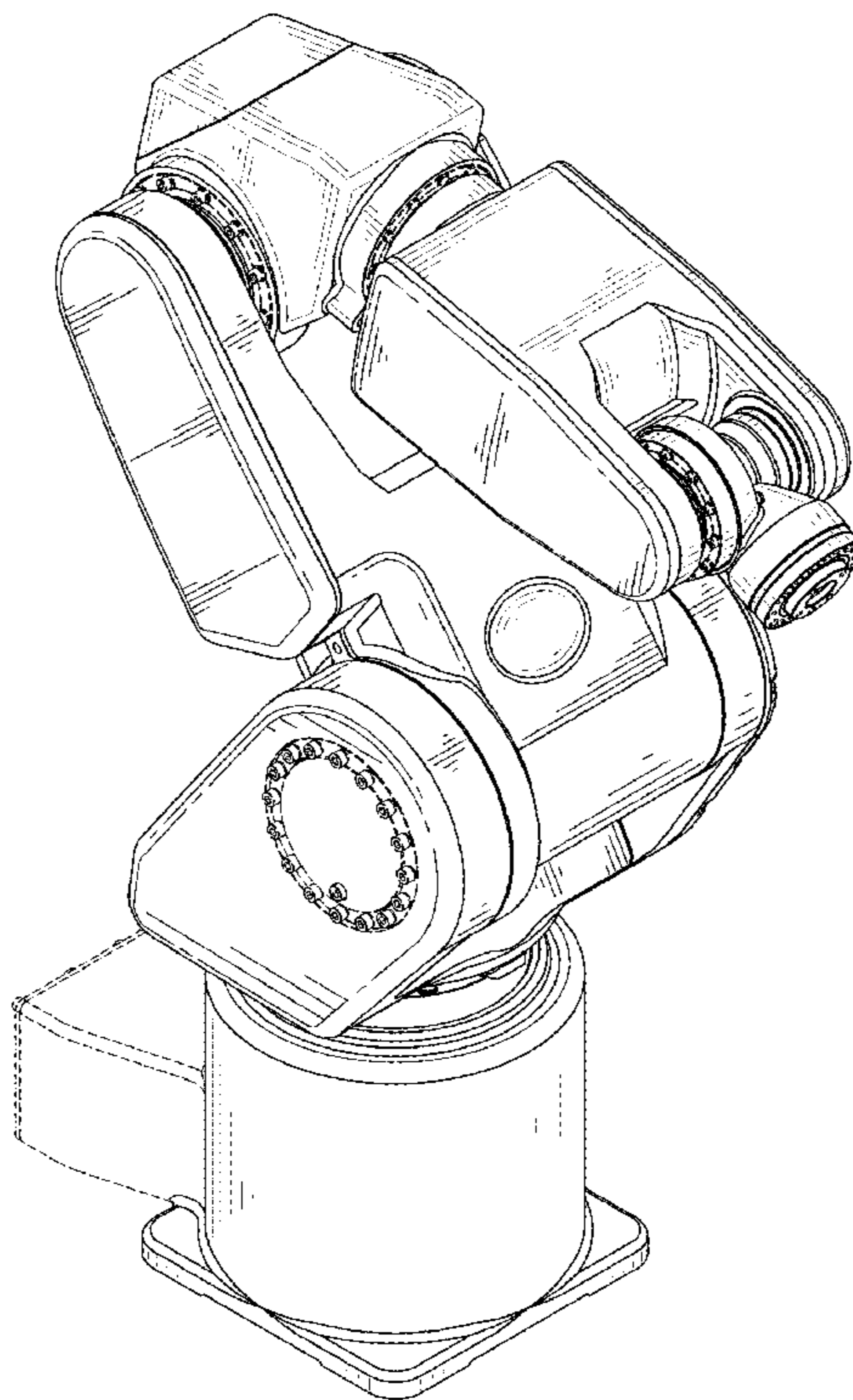
The ornamental design for a robot, as shown and described.

DESCRIPTION

FIG. 1 is a perspective view of a robot showing our design;
FIG. 2 is a front elevational view thereof;
FIG. 3 is a rear elevational view thereof;
FIG. 4 is a left-side elevational view thereof;
FIG. 5 is a right-side elevational view thereof;
FIG. 6 is a top plan view thereof;
FIG. 7 is a bottom plan view thereof; and,
FIG. 8 is another perspective view of the robot of FIG. 1
shown in another position.

The broken lines are for illustrative purposes only and form
no part of the claimed design.

1 Claim, 8 Drawing Sheets



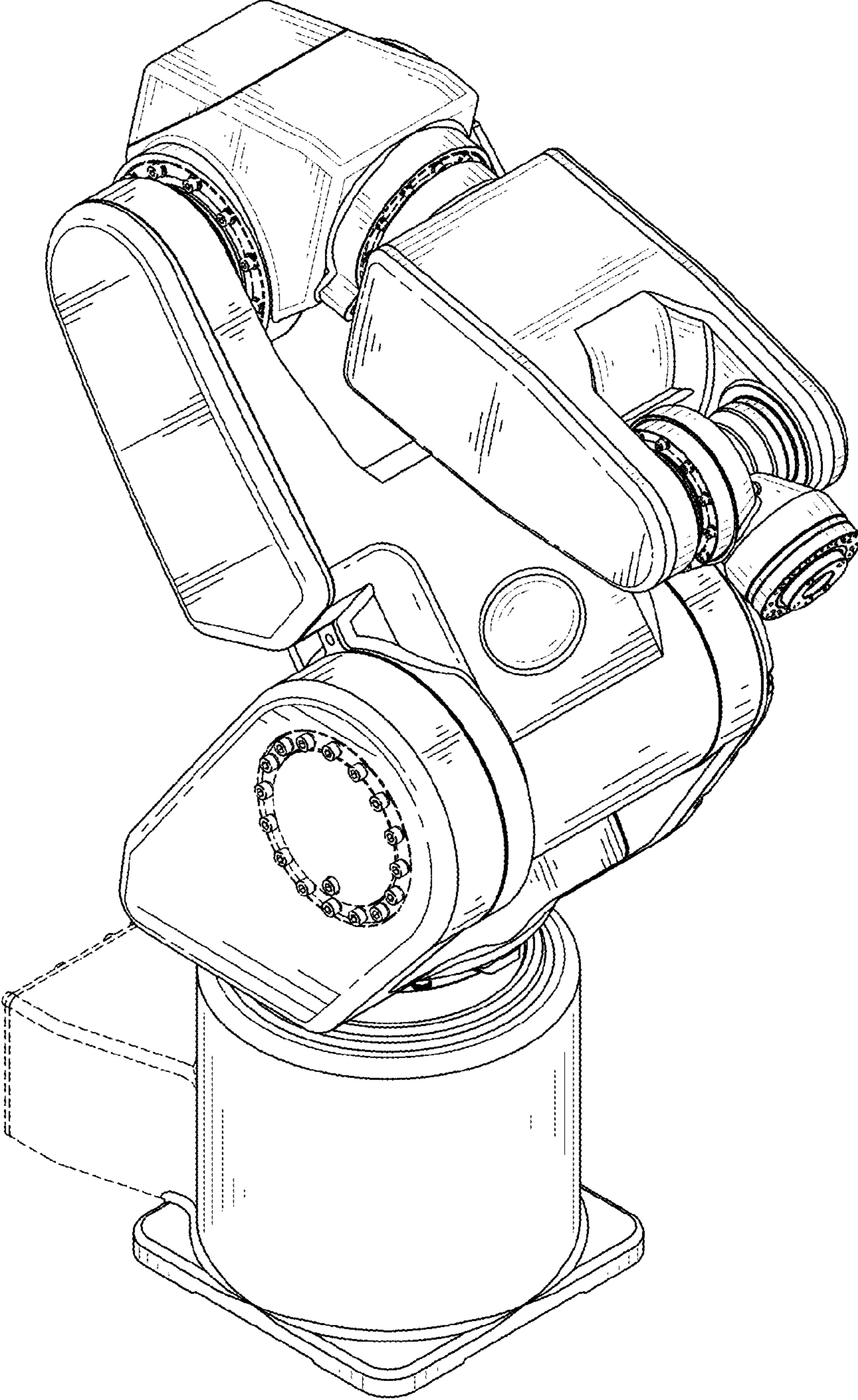


FIG. 1

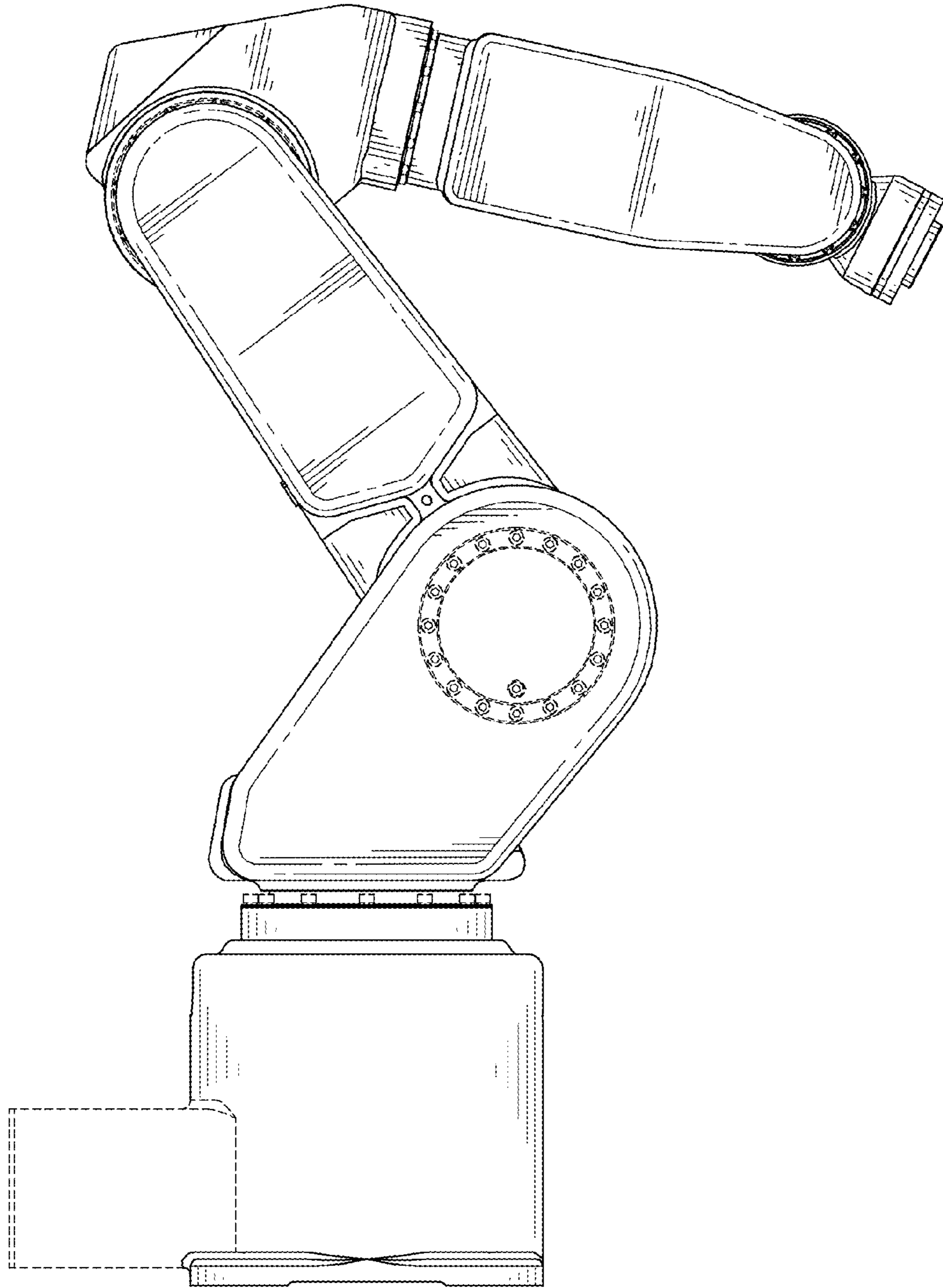


FIG. 2

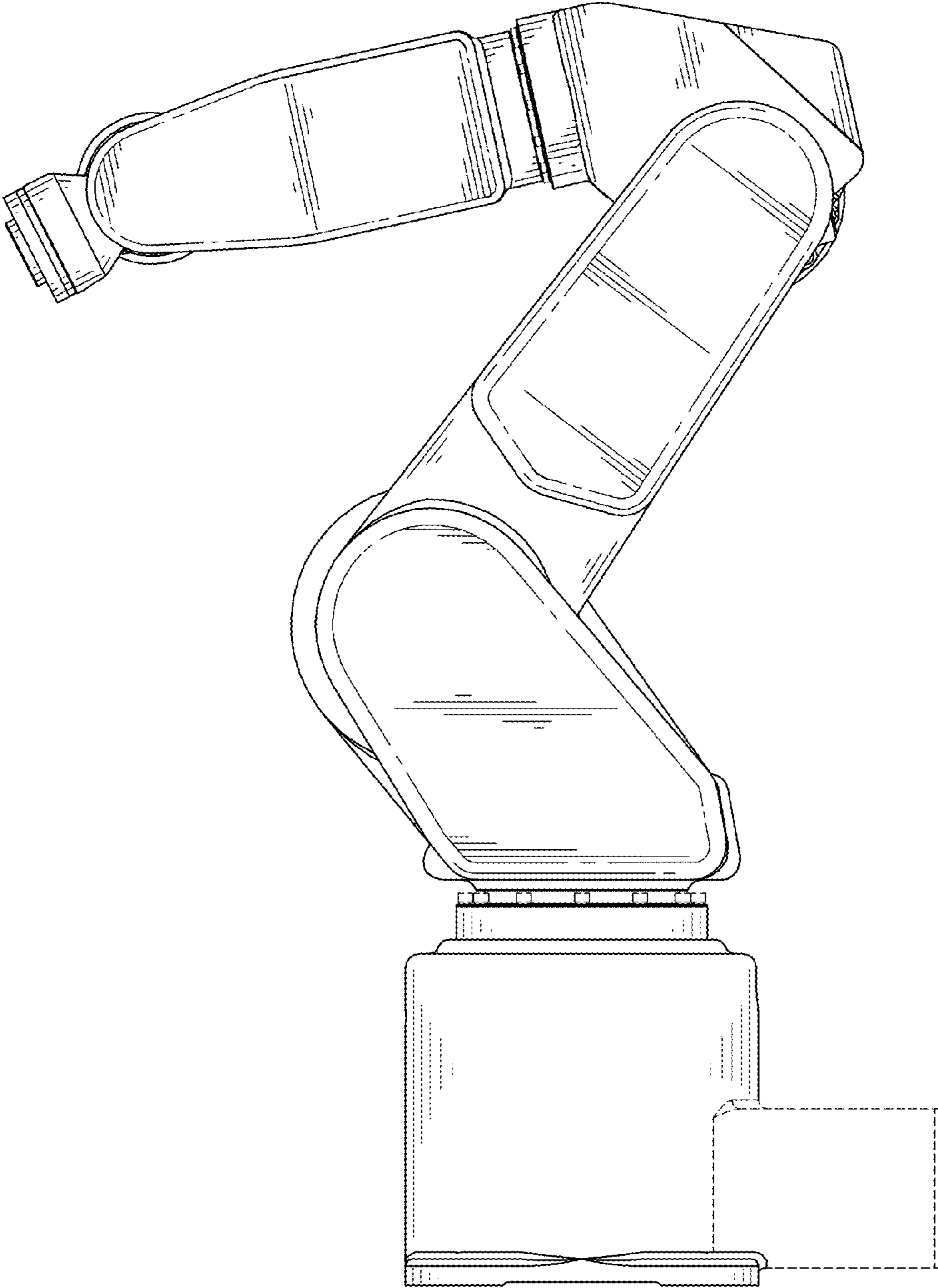


FIG. 3

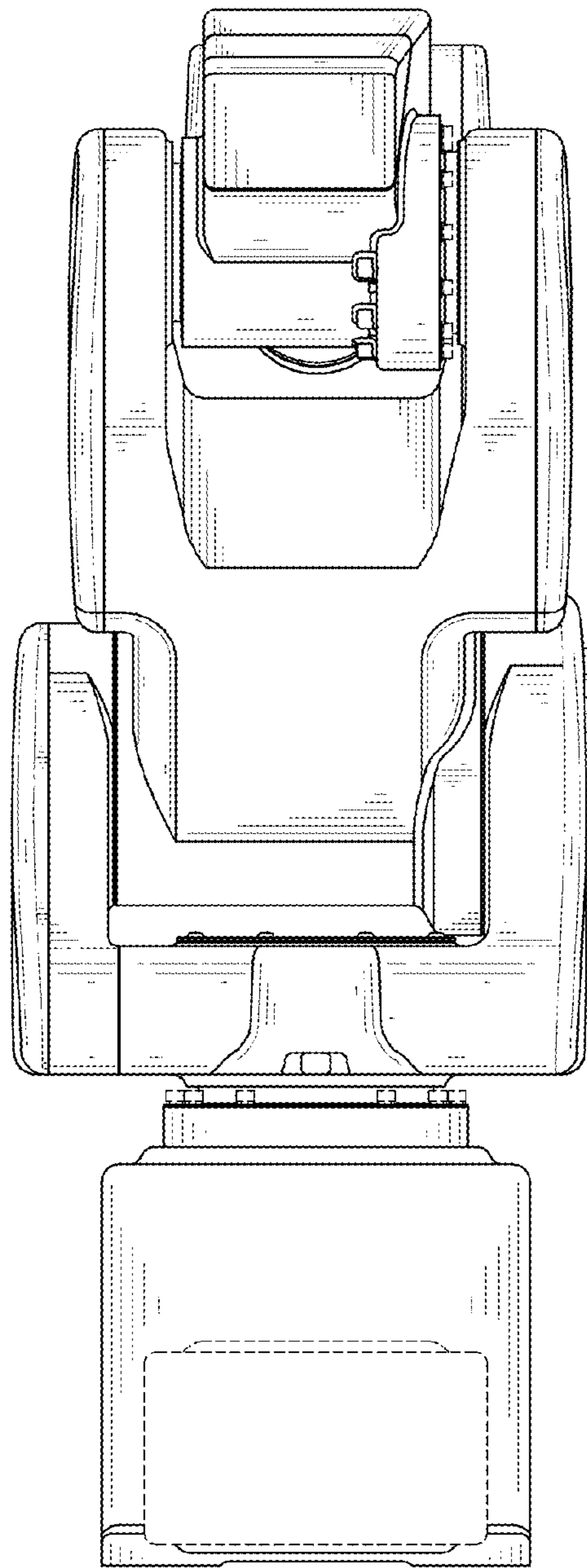


FIG. 4

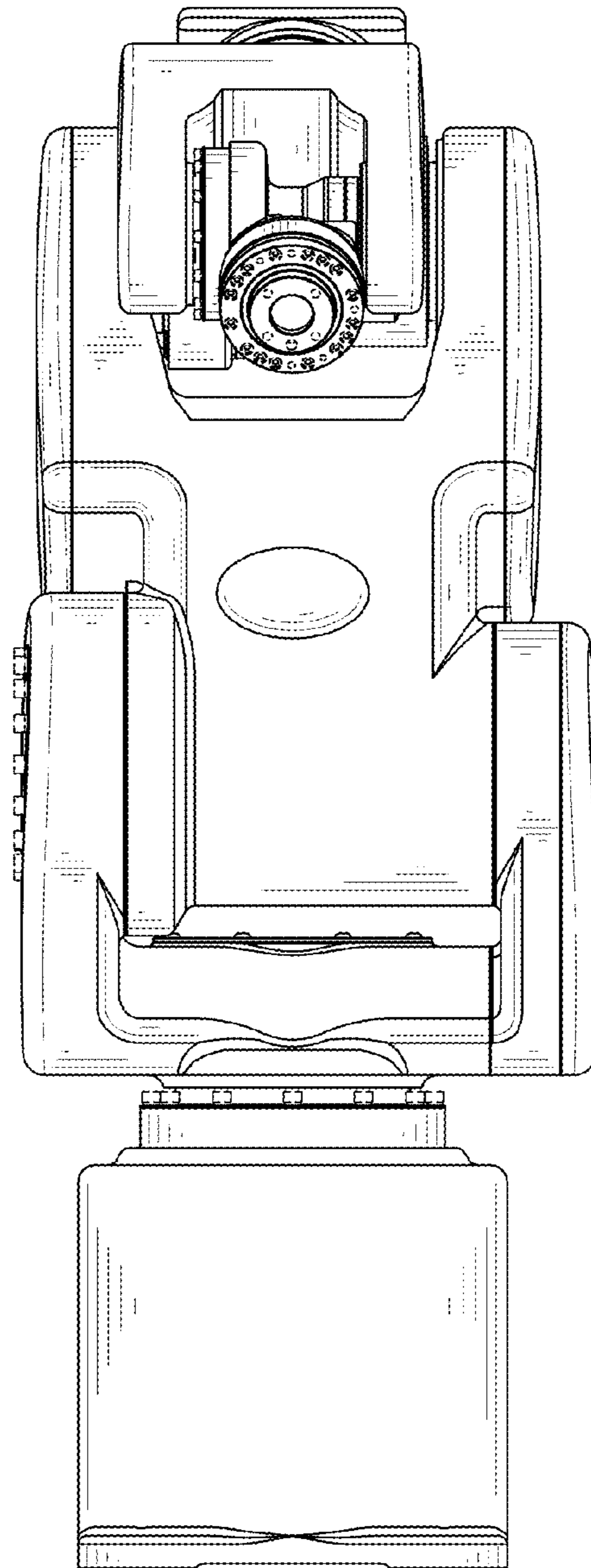


FIG. 5

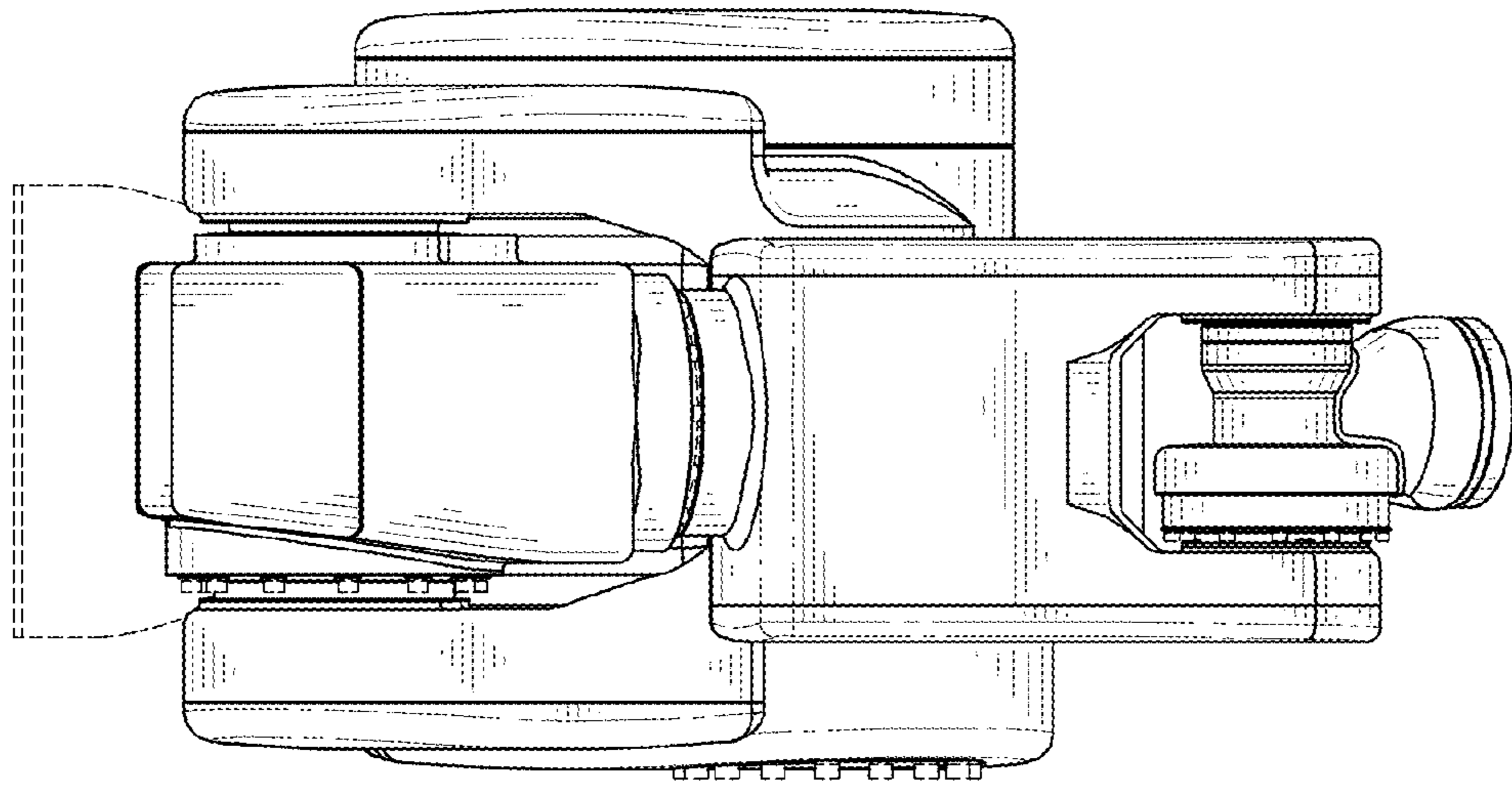


FIG. 6

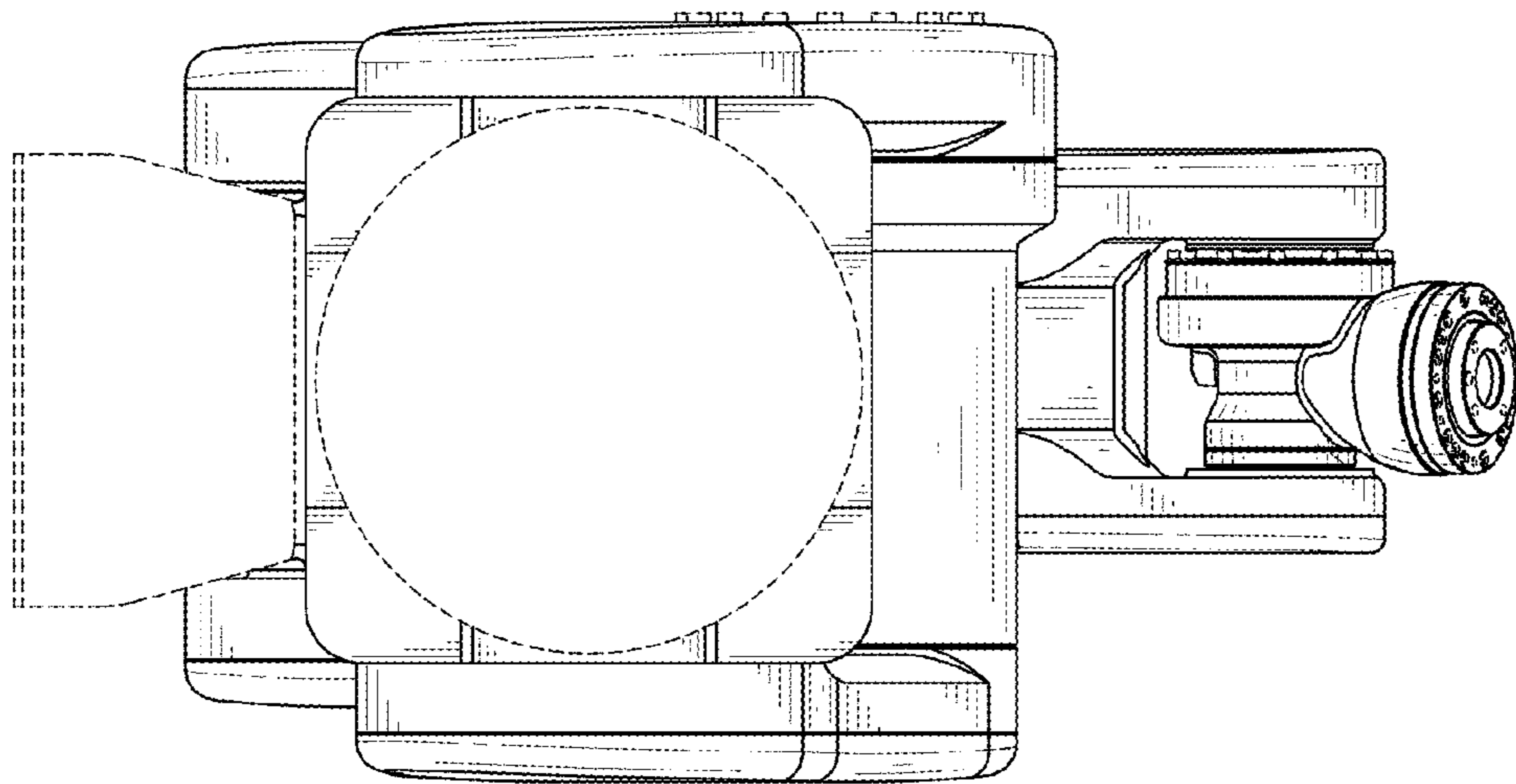


FIG. 7

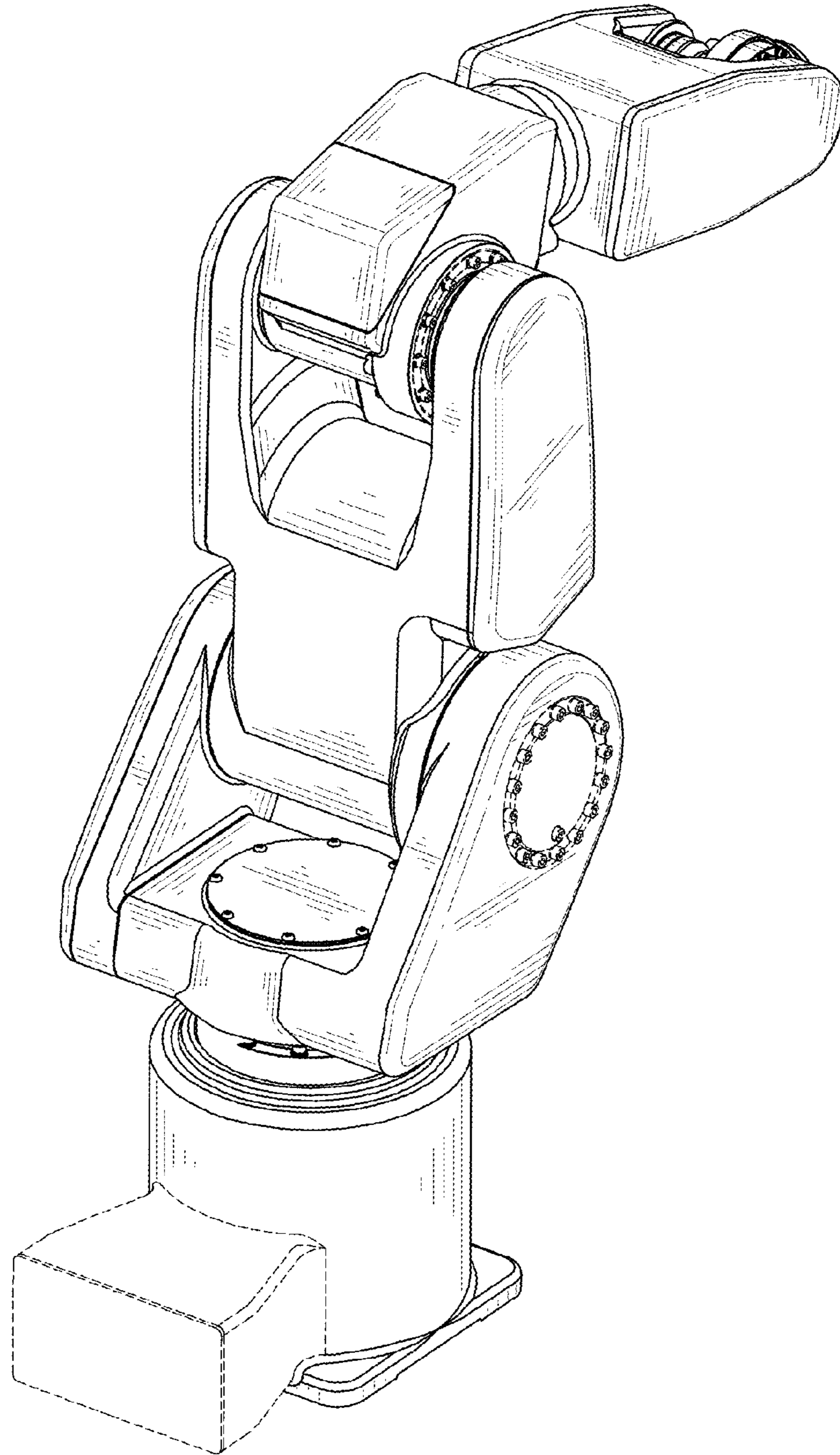


FIG. 8