



US00D713435S

(12) **United States Design Patent**
Liao

(10) **Patent No.:** **US D713,435 S**

(45) **Date of Patent:** **** Sep. 16, 2014**

(54) **RECYCLING OIL COLLECTING FUNNEL**

(71) Applicant: **Lih Yann Industrial Co., Ltd.,**
Taichung (TW)

(72) Inventor: **Po Lin Liao,** Taichung (TW)

(73) Assignee: **Lih Yann Industrial Co., Ltd.,**
Taichung (TW)

(**) Term: **14 Years**

(21) Appl. No.: **29/484,788**

(22) Filed: **Mar. 13, 2014**

(30) **Foreign Application Priority Data**

Jan. 29, 2014 (TW) 103300584 A

(51) **LOC (10) Cl.** **15-09**

(52) **U.S. Cl.**
USPC **D15/152**

(58) **Field of Classification Search**
USPC D15/150-152; D24/123; 4/450;
184/1.5, 29, 36, 42, 45.1, 55.1, 105.1,
184/106; 222/254, 256, 258, 359, 385, 389,
222/628; 280/32.6; 417/417
See application file for complete search history.

(56) **References Cited**

U.S. PATENT DOCUMENTS

4,775,067 A * 10/1988 Mount 220/573
D337,774 S * 7/1993 Schillinger D15/150
D342,531 S * 12/1993 Commander et al. D15/150
D360,214 S * 7/1995 Loudon D15/150
D360,642 S * 7/1995 Loudon D15/150

6,488,293 B1 * 12/2002 Mitchell et al. 280/47.34
D498,487 S * 11/2004 Iwamasa et al. D15/152
D623,198 S * 9/2010 Lai D15/5
D627,062 S * 11/2010 Tanguay D24/123
D638,042 S * 5/2011 Liao D15/152
D661,328 S * 6/2012 Liao D15/152
D683,777 S * 6/2013 Forbis et al. D15/150
2003/0024768 A1 * 2/2003 Jones 184/1.5

* cited by examiner

Primary Examiner — Patricia Palasik

(74) *Attorney, Agent, or Firm* — Andrew C. Cheng

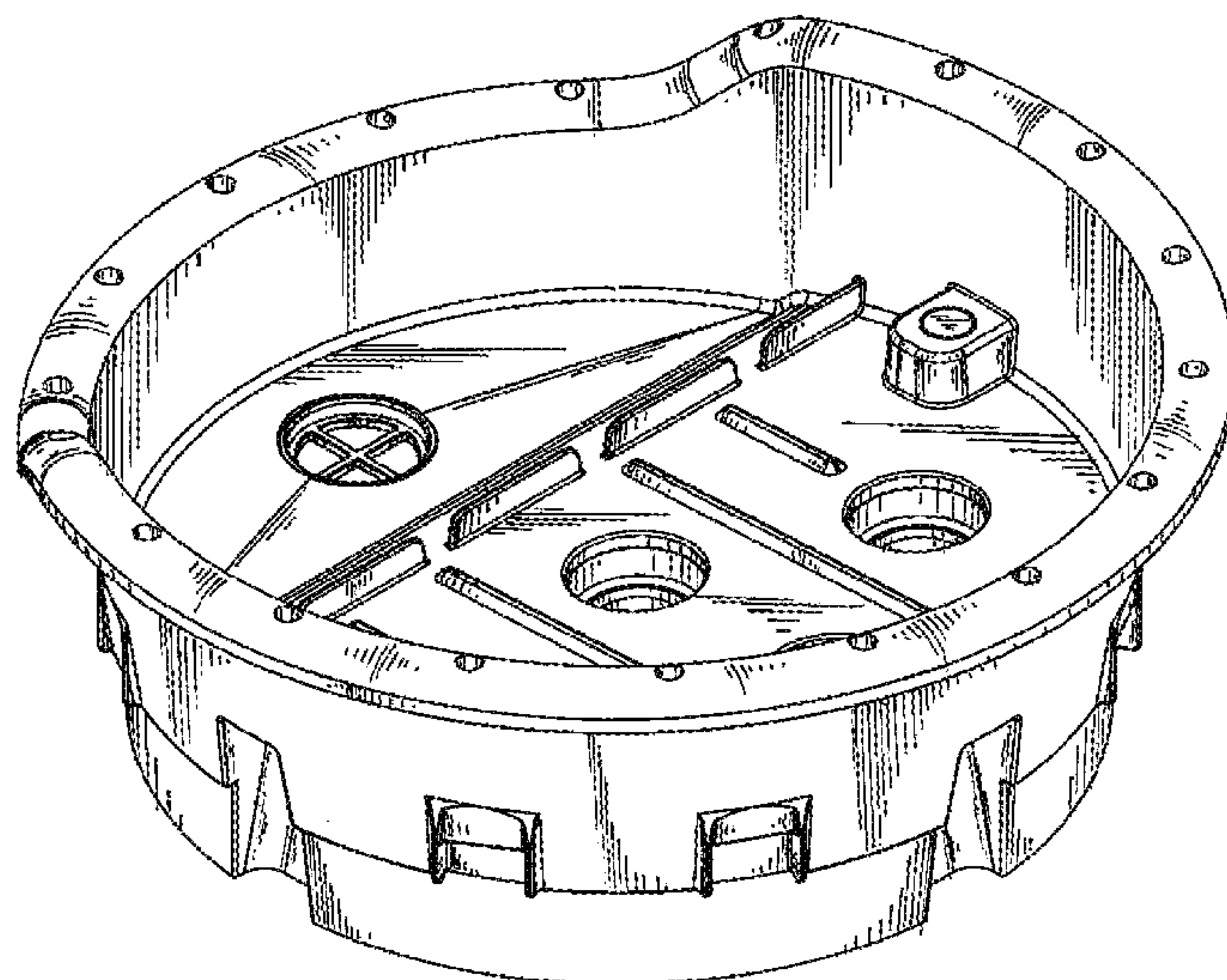
(57) **CLAIM**

The ornamental design for a recycling oil collecting funnel, as shown and described.

DESCRIPTION

FIG. 1 is a perspective view of a recycling oil collecting funnel showing my new design;
FIG. 2 is front elevational view thereof;
FIG. 3 is a rear elevational view thereof;
FIG. 4 is a left side elevational view thereof;
FIG. 5 is a right side elevational view thereof;
FIG. 6 is a top plan view of thereof;
FIG. 7 is a bottom plan view thereof;
FIG. 8 is a bottom perspective view thereof; and,
FIG. 9 is a perspective view thereof and showing the recycling oil collecting funnel mounted onto a bucket with an oil container, and an oil filter sitting thereon, and a drain screen (detached), all shown in broken lines as they form no part of the claimed design.

1 Claim, 7 Drawing Sheets



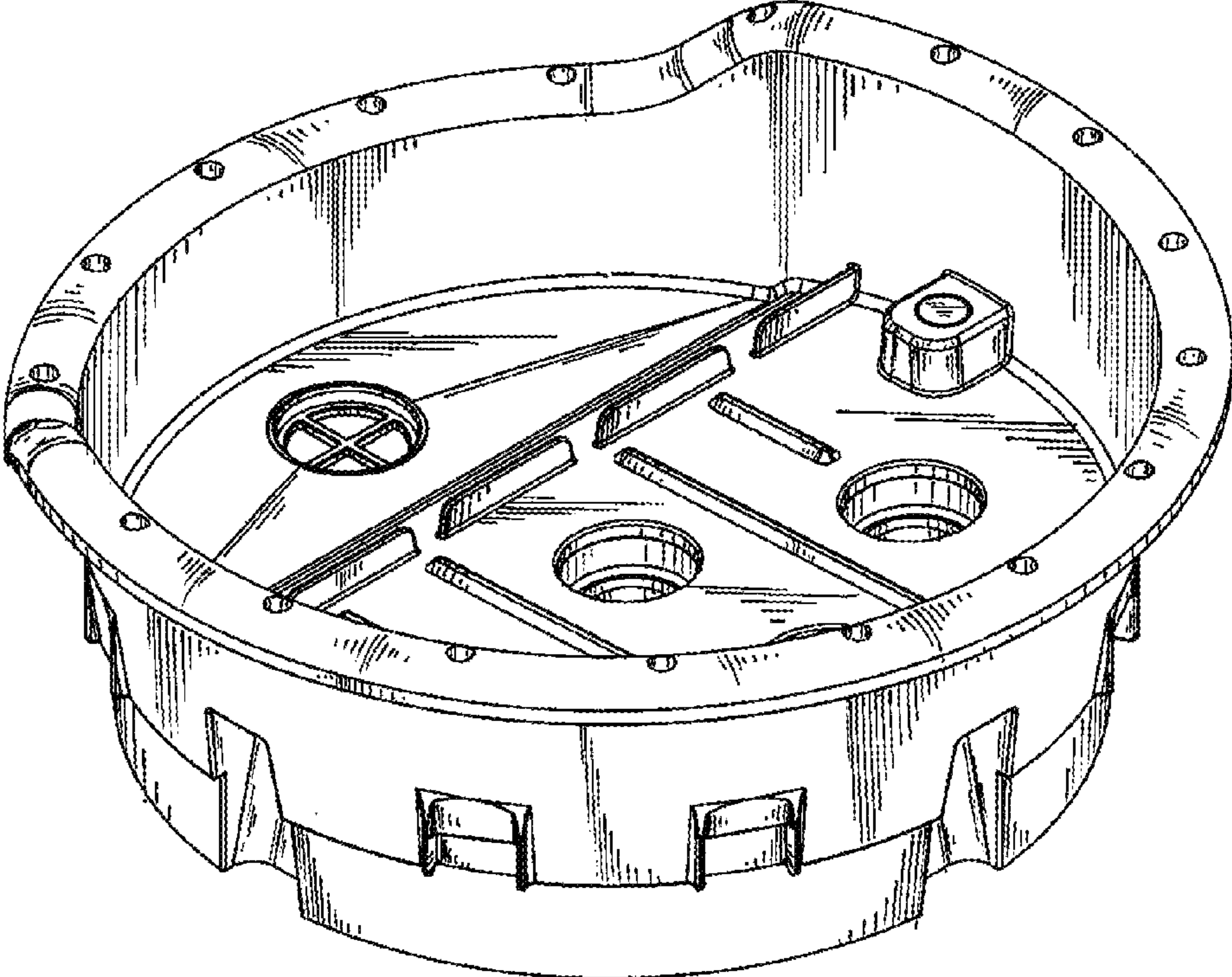


Fig 1

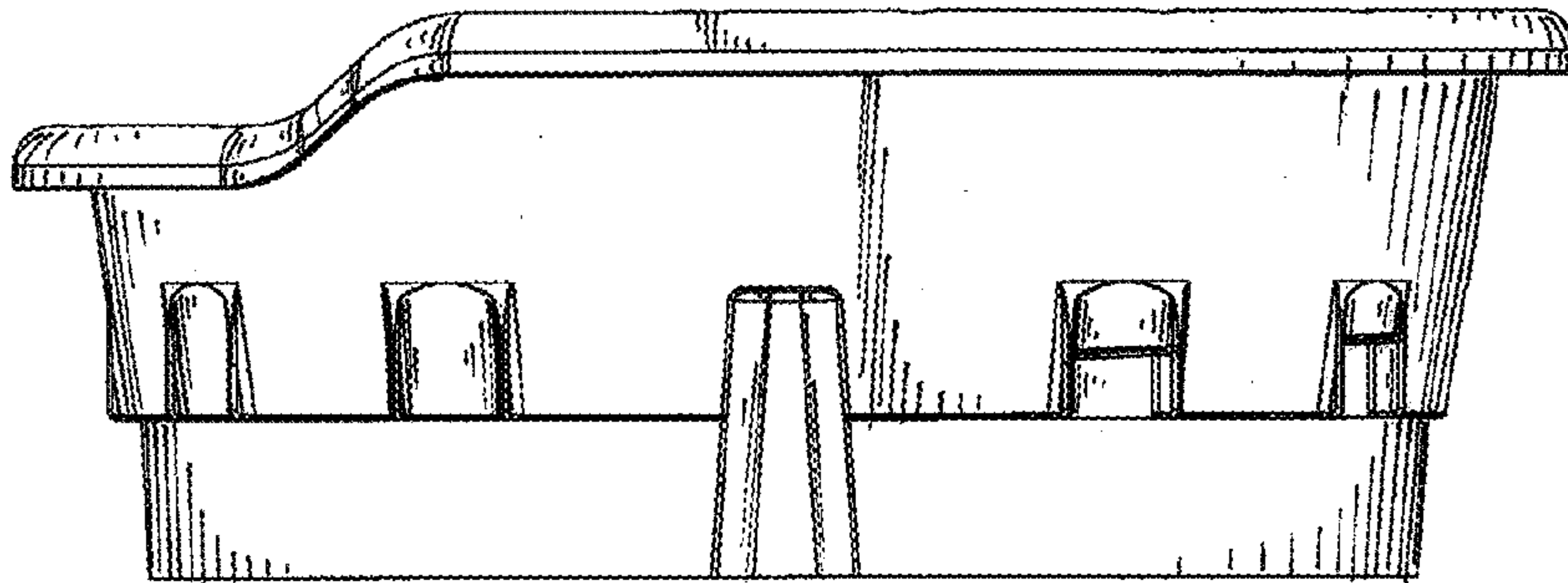


Fig 2

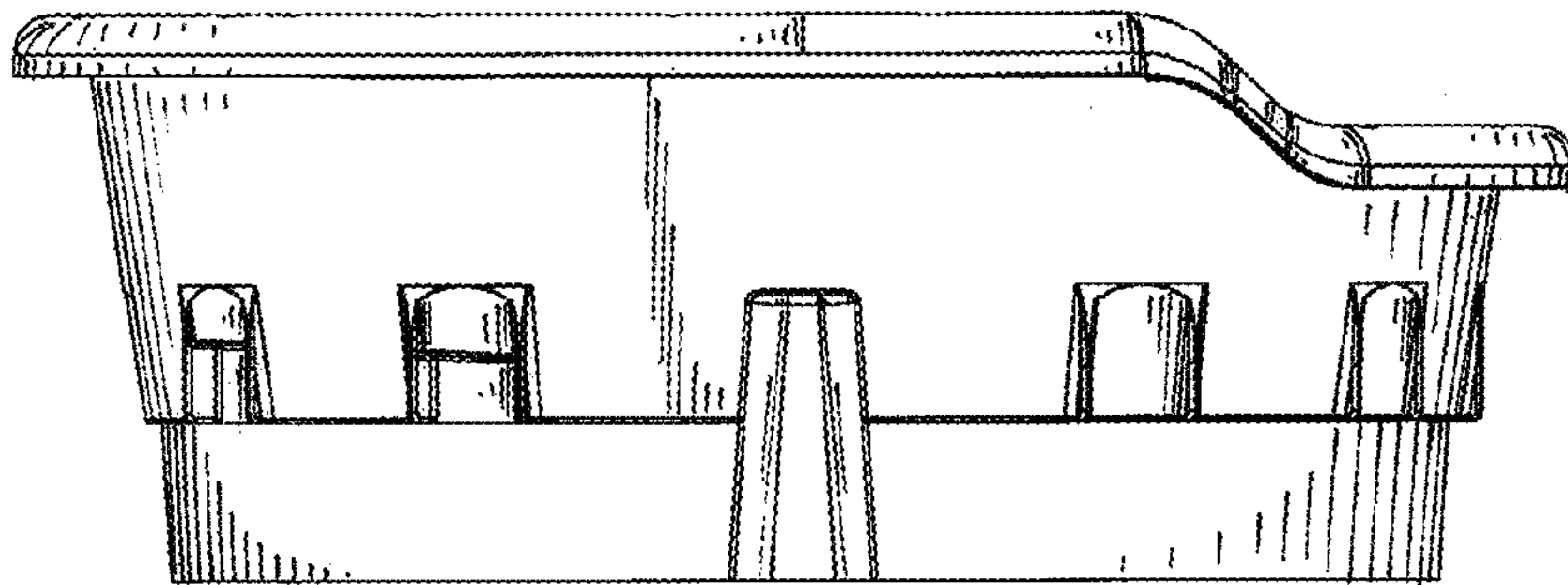


Fig 3

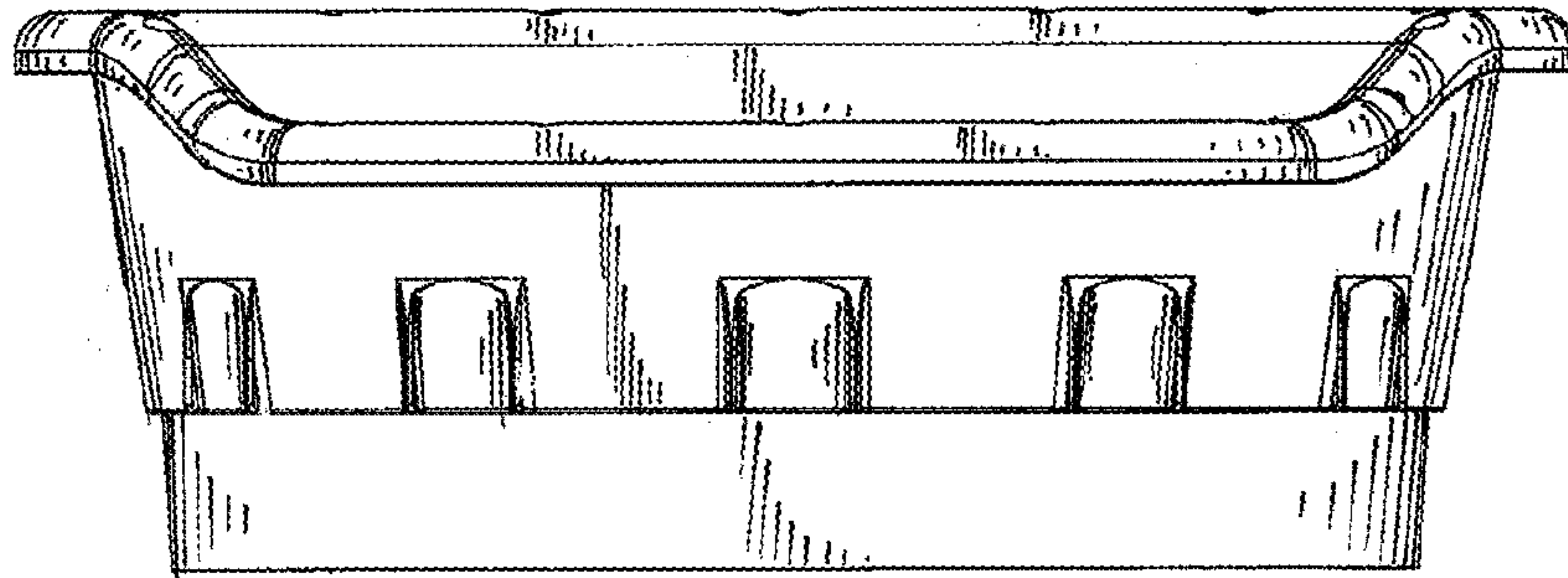


Fig 4

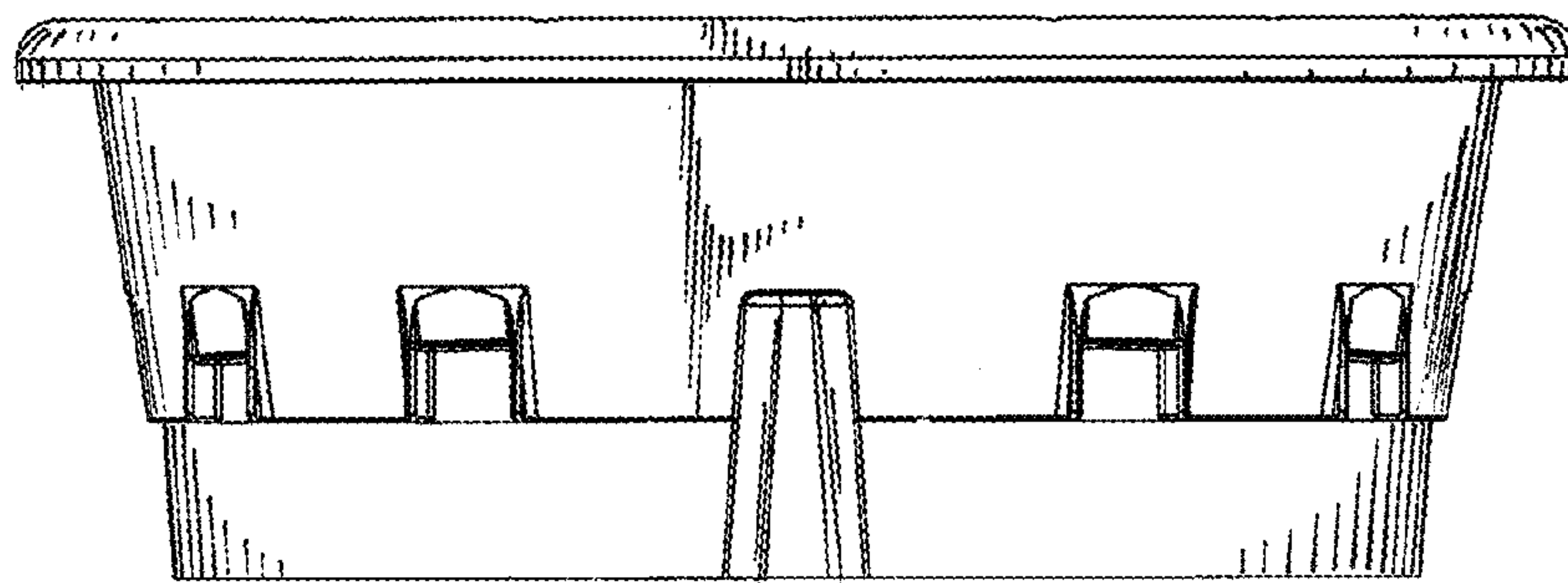


Fig 5

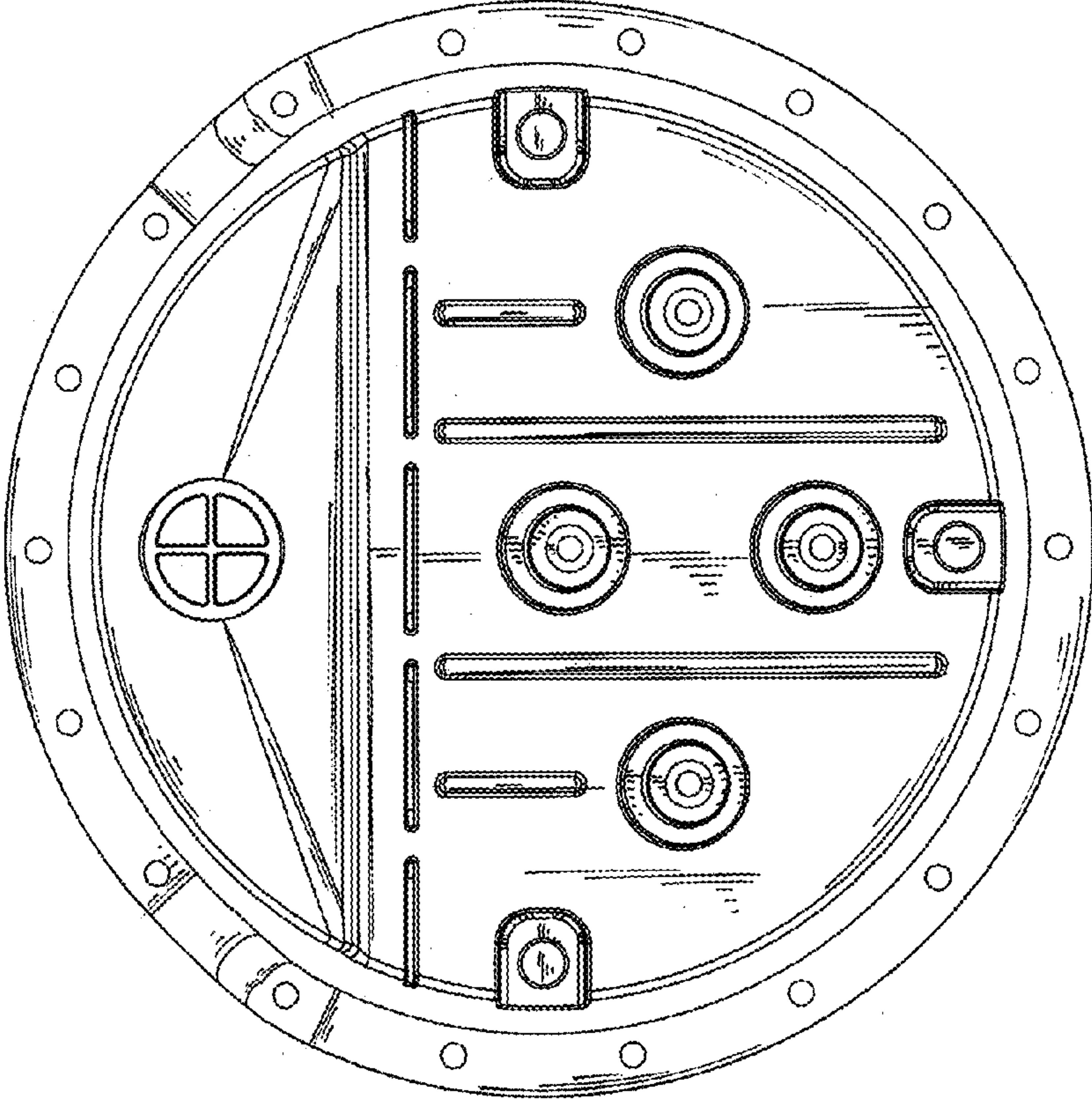


Fig 6

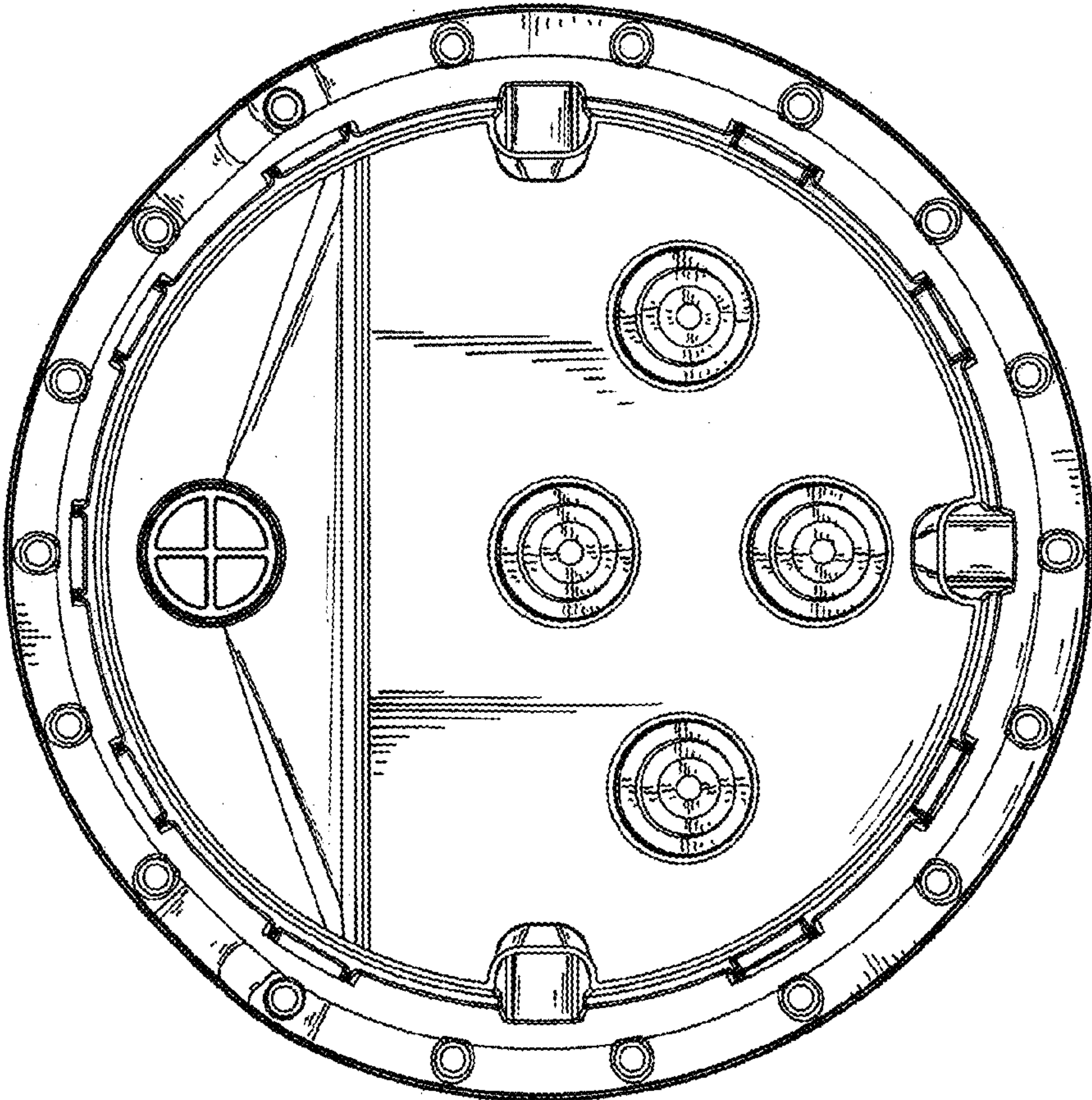


Fig 7

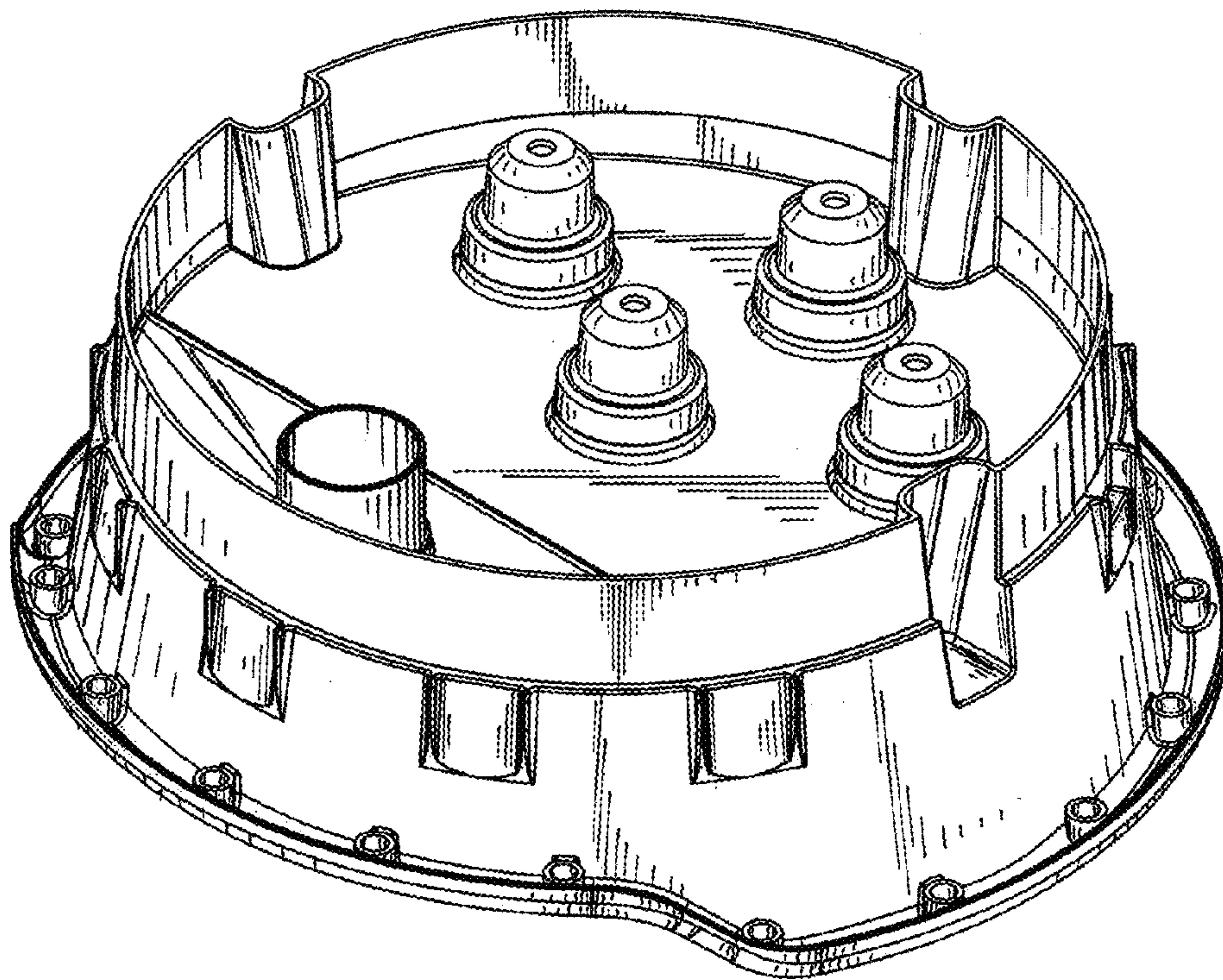


Fig 8

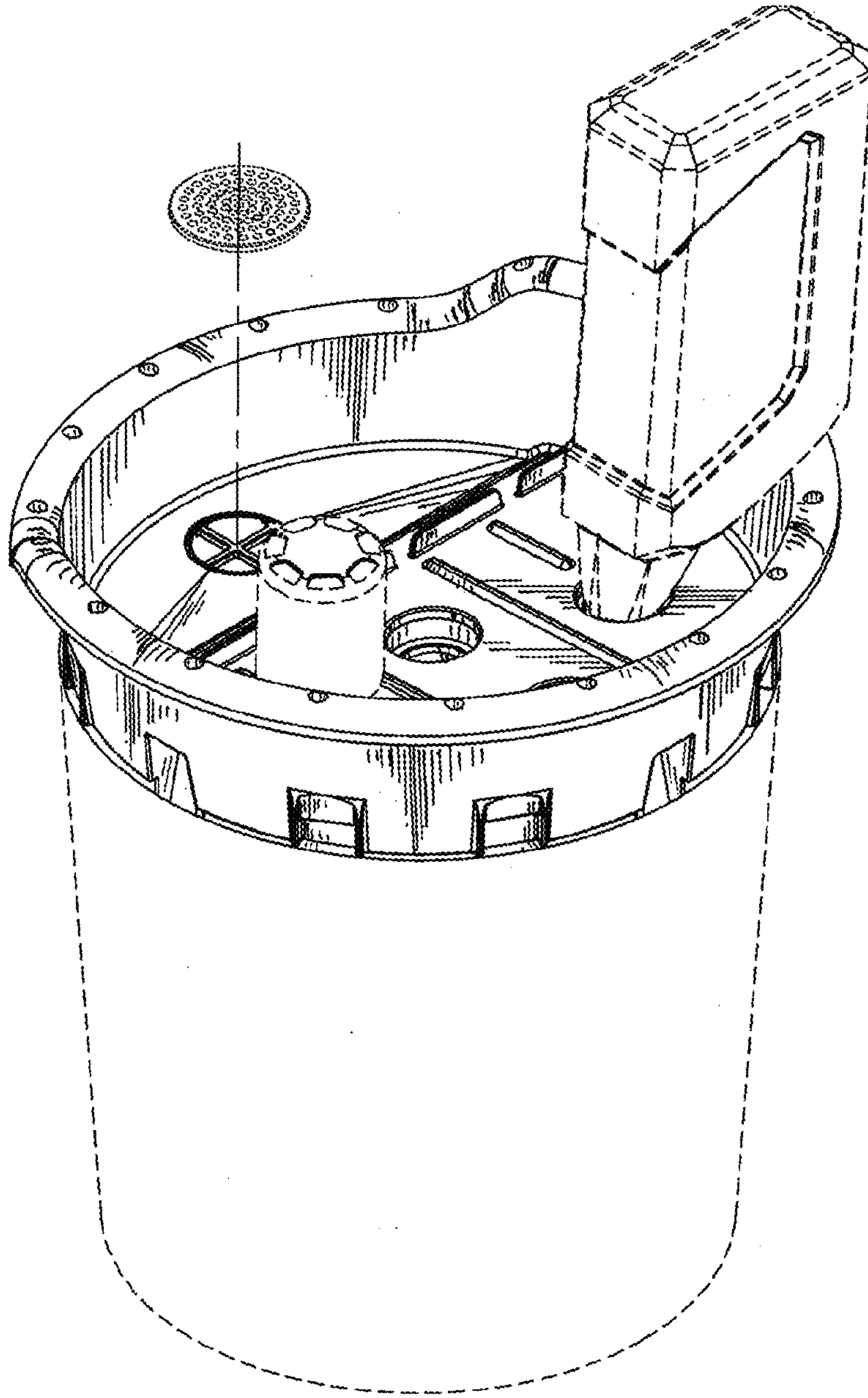


Fig 9