



US00D713433S

(12) **United States Design Patent**  
**Morrison et al.**

(10) **Patent No.:** **US D713,433 S**

(45) **Date of Patent:** **\*\* Sep. 16, 2014**

(54) **CUTTING INSERT**

(71) Applicant: **Kennametal Inc.**, Latrobe, PA (US)

(72) Inventors: **Lewis Ray Morrison**, Latrobe, PA (US);  
**Ravishankar Iyer**, North Huntingdon,  
PA (US)

(73) Assignee: **Kennametal Inc.**, Latrobe, PA (US)

(\*\*) Term: **14 Years**

(21) Appl. No.: **29/485,699**

(22) Filed: **Mar. 21, 2014**

(51) **LOC (10) Cl.** ..... **15-09**

(52) **U.S. Cl.**  
USPC ..... **D15/139**

(58) **Field of Classification Search**  
USPC ..... D8/70, 71; D15/131, 138, 139, 140;  
407/35, 42, 112-119

See application file for complete search history.

(56) **References Cited**

**U.S. PATENT DOCUMENTS**

4,597,695	A	7/1986	Johnson	
D487,281	S *	3/2004	Roman et al. ....	D15/139
D497,923	S *	11/2004	Waggle et al. ....	D15/139
D523,040	S	6/2006	Niebauer et al.	
7,513,717	B2	4/2009	Engstrom et al.	
7,976,250	B2	7/2011	Fang et al.	
D656,166	S *	3/2012	Michelet et al. ....	D15/139

8,282,320	B2	10/2012	Hartlohner et al.	
8,434,974	B2	5/2013	Spitzenberger	
8,454,278	B2	6/2013	Hartlohner et al.	
D705,828	S *	5/2014	Imai et al. ....	D15/139
2005/0214080	A1 *	9/2005	Satran ....	407/113
2006/0216122	A1 *	9/2006	Engstrom et al. ....	407/114
2010/0129167	A1	5/2010	Morrison	
2010/0150671	A1	6/2010	Oprasic et al.	
2012/0027530	A1 *	2/2012	Agic ....	407/114
2013/0022417	A1 *	1/2013	Gesell et al. ....	407/113
2013/0302099	A1 *	11/2013	Choi et al. ....	407/113

\* cited by examiner

*Primary Examiner* — Patricia Palasik

(74) *Attorney, Agent, or Firm* — Larry R. Meenan, Esq.

(57) **CLAIM**

The ornamental design for a cutting insert, as shown and described.

**DESCRIPTION**

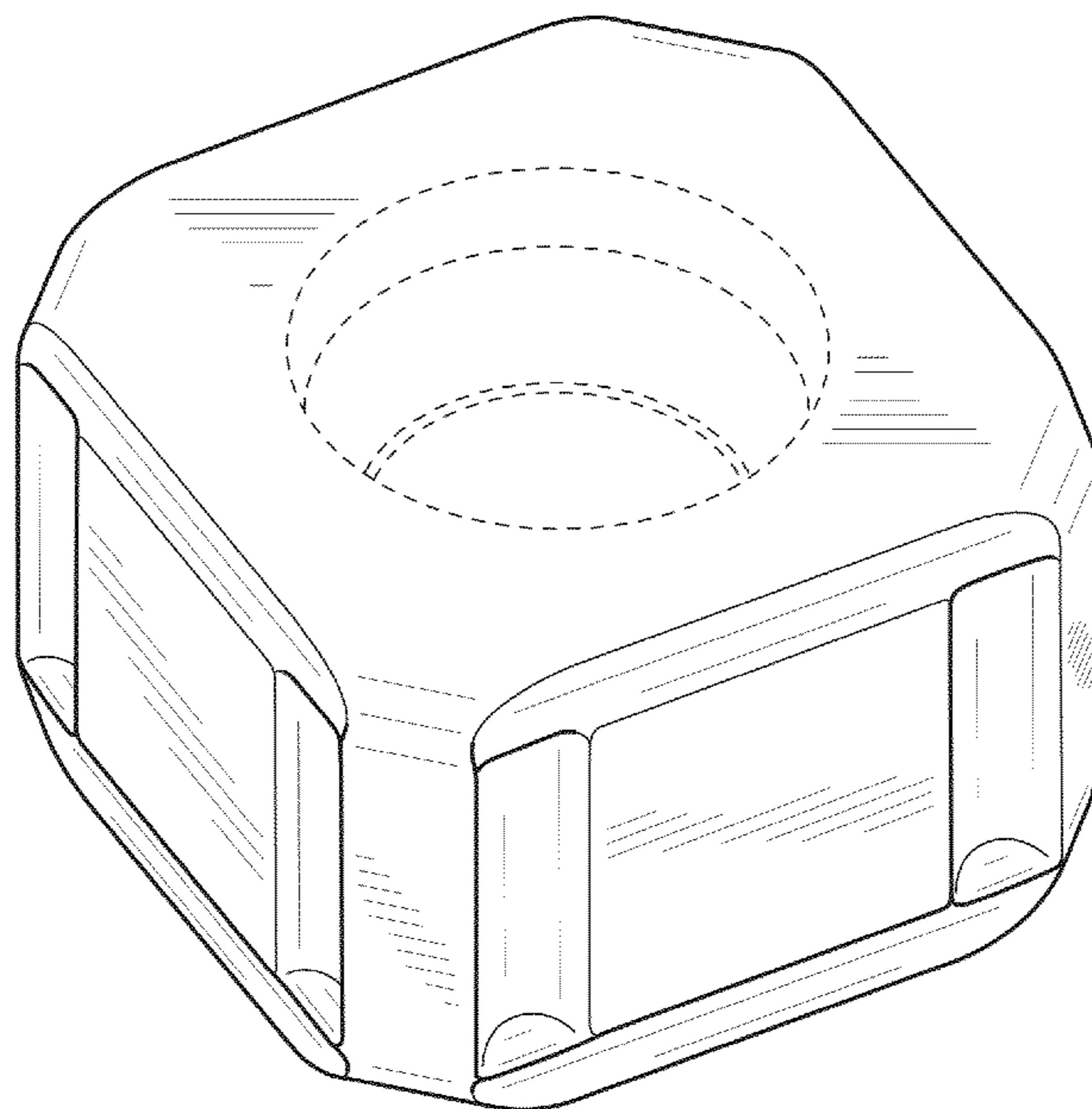
FIG. 1 is an isometric view of a cutting insert showing our new design;

FIG. 2 is side view of the cutting insert of FIG. 1, each side view being identical to each other; and,

FIG. 3 is a top view of the cutting insert of FIG. 1, the bottom view being identical to the top view.

The broken lines of FIGS. 1 and 2 are included for the purpose of illustrating structural portions of the cutting insert and form no part of the claimed design.

**1 Claim, 2 Drawing Sheets**



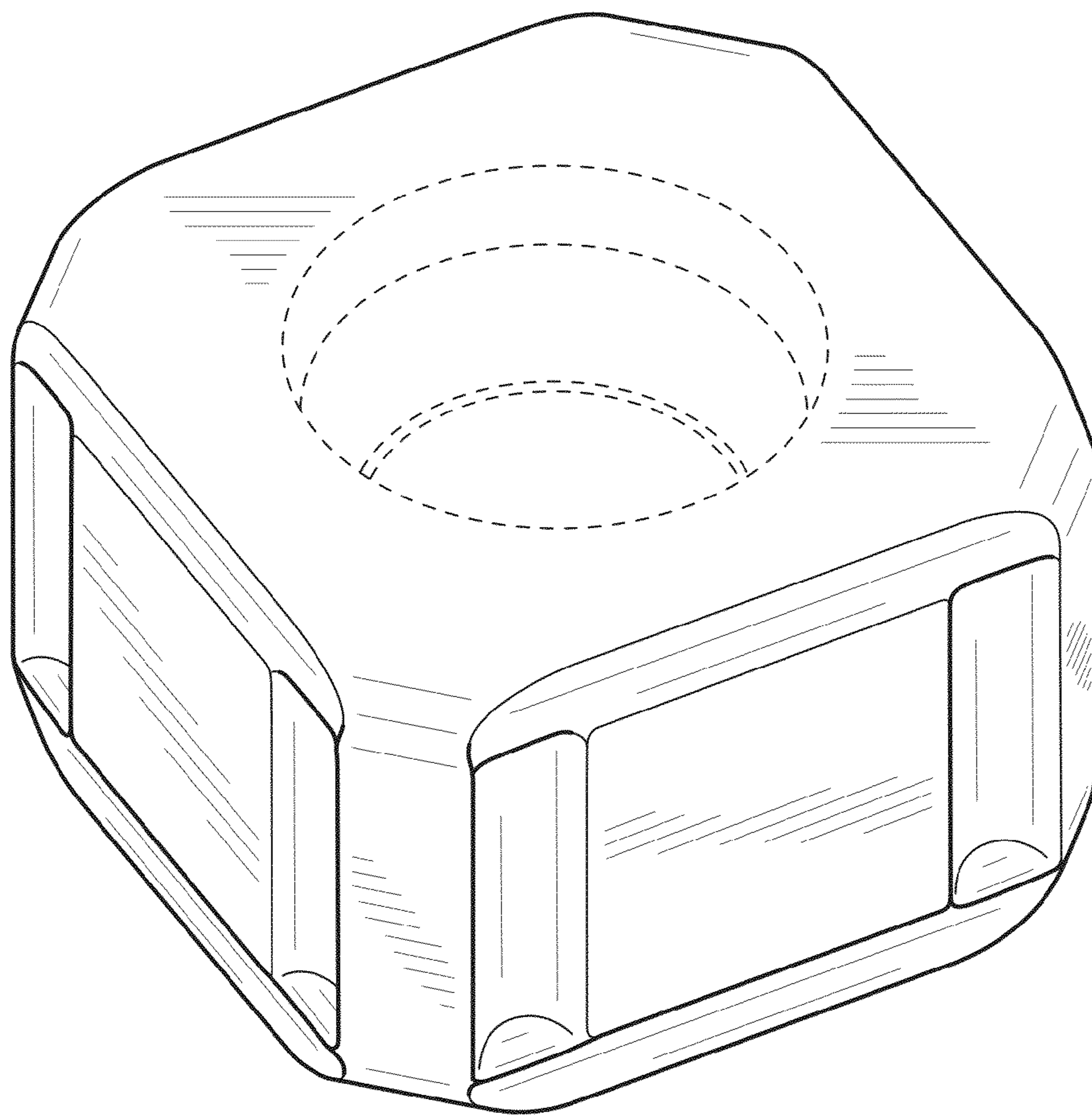


FIG. 1

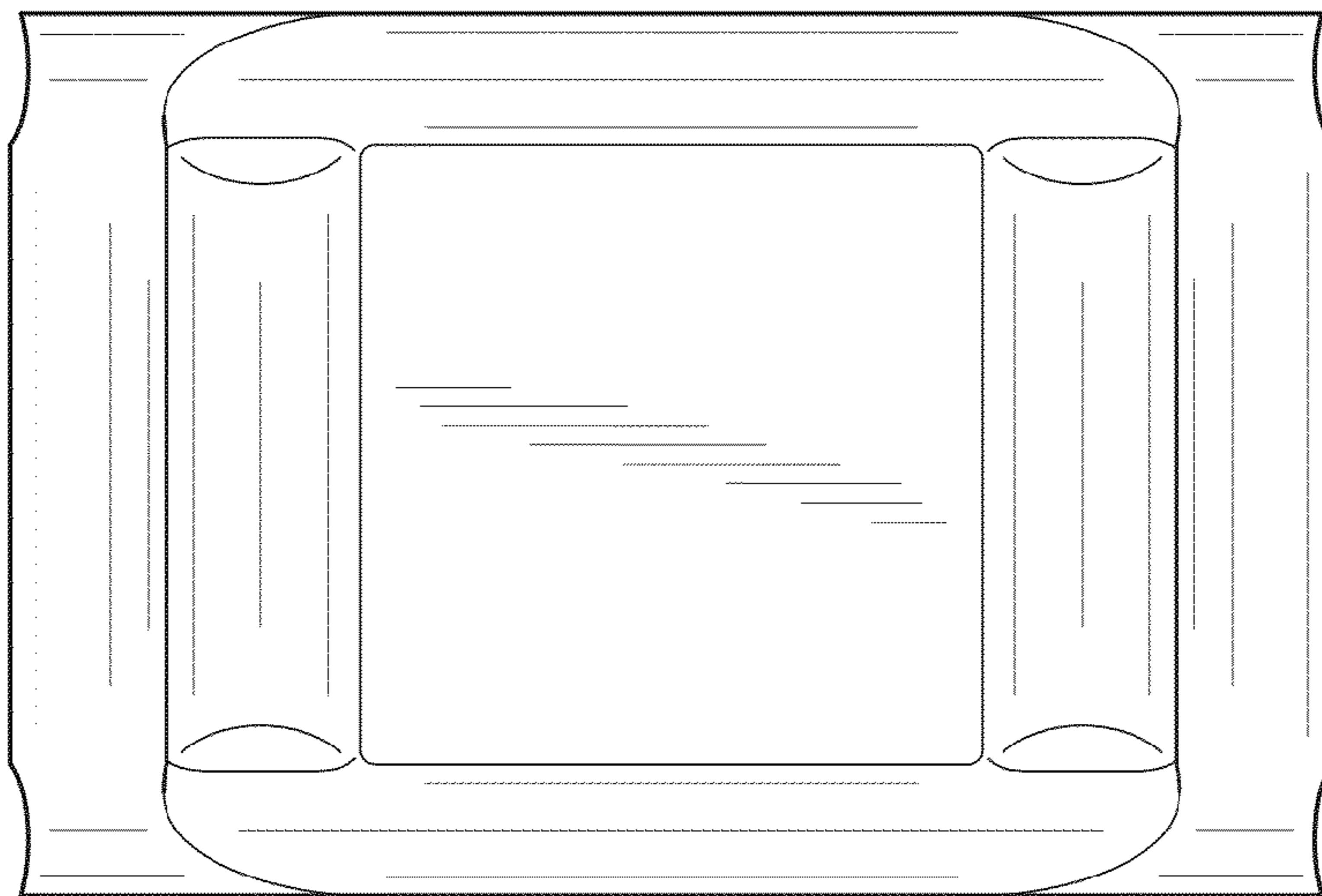


FIG. 3

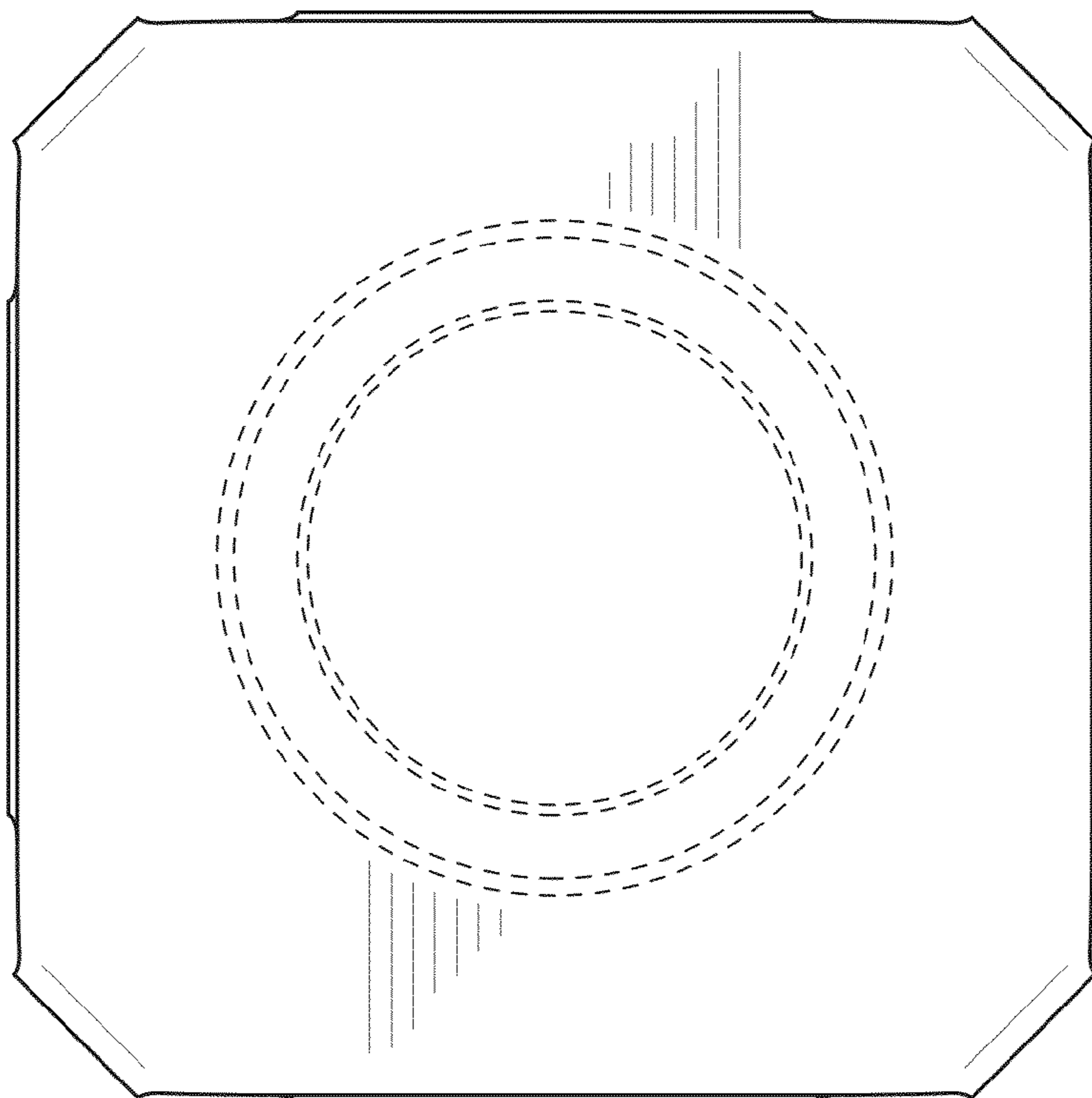


FIG. 2