



US00D713432S

(12) **United States Design Patent**
Cerniglia

(10) **Patent No.:** **US D713,432 S**

(45) **Date of Patent:** **** Sep. 16, 2014**

(54) **LOCATING RING**

(76) Inventor: **Anthony Cerniglia**, Wauconda, IL (US)

(**) Term: **14 Years**

(21) Appl. No.: **29/422,205**

(22) Filed: **May 17, 2012**

(51) **LOC (10) Cl.** **15-09**

(52) **U.S. Cl.**
USPC **D15/135**

(58) **Field of Classification Search**

CPC B29C 45/26; B29C 45/17; B29C 45/1742;
B29C 45/1761; B29D 30/54; F16D 25/10;
G11B 5/825; G11B 23/0035

USPC D15/135, 136, 137; 29/402.08, 428.29,
29/464; 425/19, 23, 43, 58, 150

See application file for complete search history.

(56) **References Cited**

U.S. PATENT DOCUMENTS

2,659,104 A * 11/1953 Glynn 425/19
4,008,486 A * 2/1977 Byczkowski 257/689
4,030,869 A * 6/1977 Miller et al. 425/471
4,480,282 A * 10/1984 Brock et al. 360/135
5,472,298 A * 12/1995 Mihai 408/13
6,305,517 B1 * 10/2001 Cole 192/48.91

D699,770 S * 2/2014 Knoch et al. D15/136
2014/0075730 A1 * 3/2014 Cerniglia 29/402.08
2014/0079840 A1 * 3/2014 Eigler et al. 425/192 R

* cited by examiner

Primary Examiner — Patricia Palasik

(74) *Attorney, Agent, or Firm* — Lempia Summerfield Katz
LLC

(57) **CLAIM**

The ornamental design for a “locating ring,” as shown and described.

DESCRIPTION

FIG. 1 is a bottom, front, and left side perspective view showing my new design for a locating ring.

FIG. 2 is a front plan view of the locating ring shown in FIG. 1.

FIG. 3 is a left side view of the locating ring shown in FIG. 1, the right side view being a mirror image thereof.

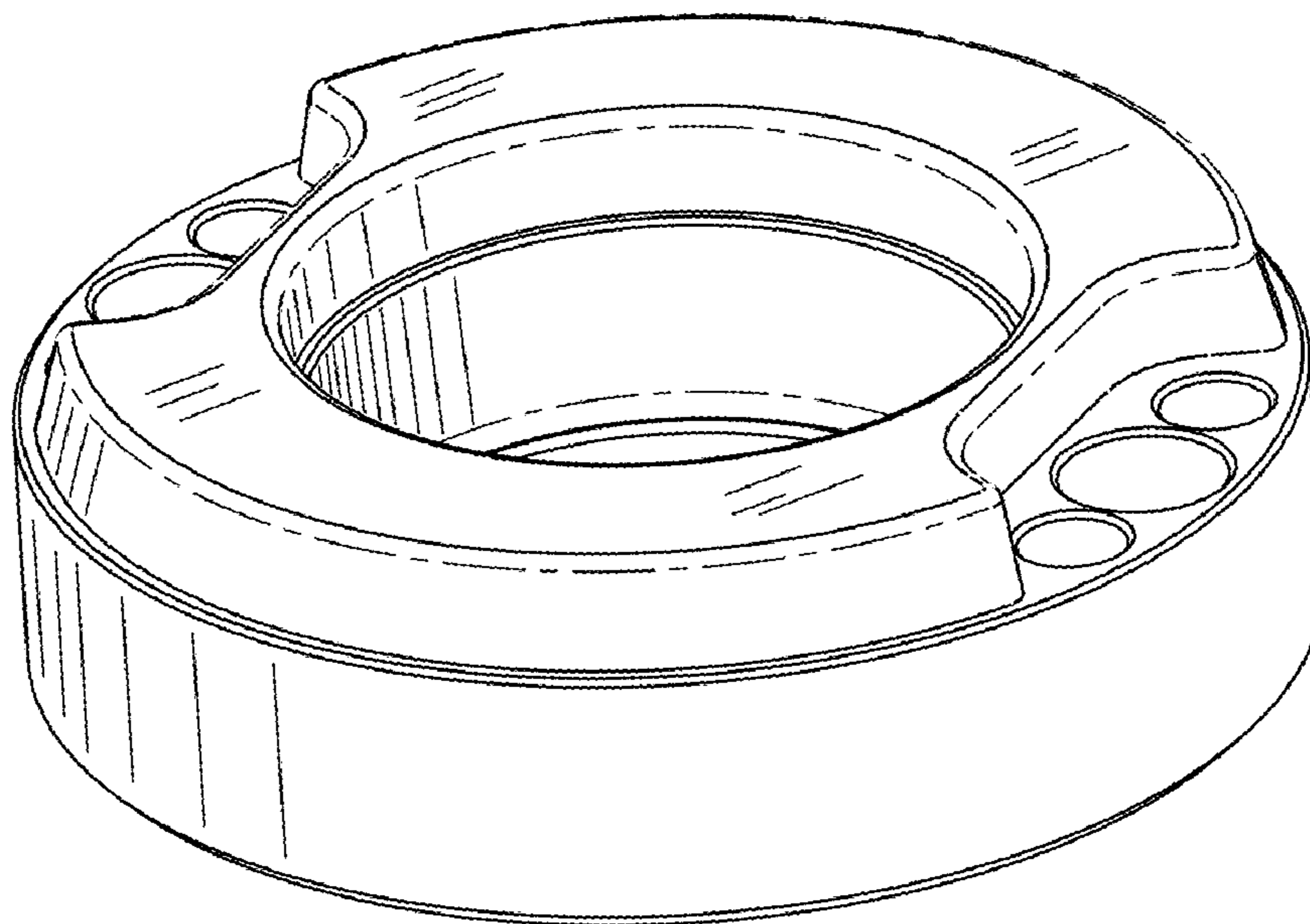
FIG. 4 is a bottom view of the locating ring shown in FIG. 1, the top view being a mirror image thereof.

FIG. 5 is a rear plan view of the locating ring shown in FIG. 1; and,

FIG. 6 is a cross section view of the locating ring shown in FIG. 2 and taken along line 6-6 therein.

The subject matter shown in dashed lines is for illustrative purposes and forms no part of the claimed design.

1 Claim, 5 Drawing Sheets



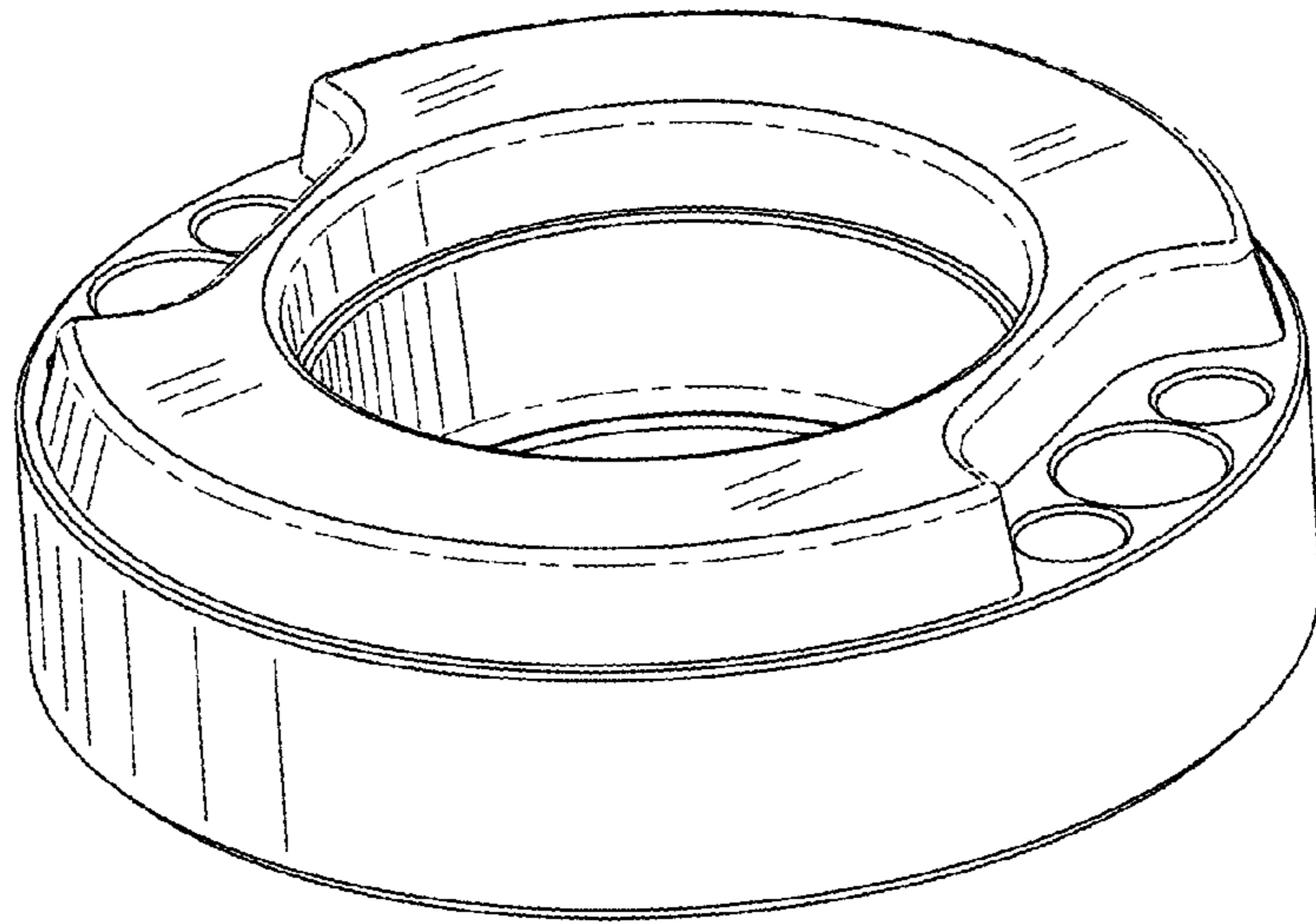


FIG. 1

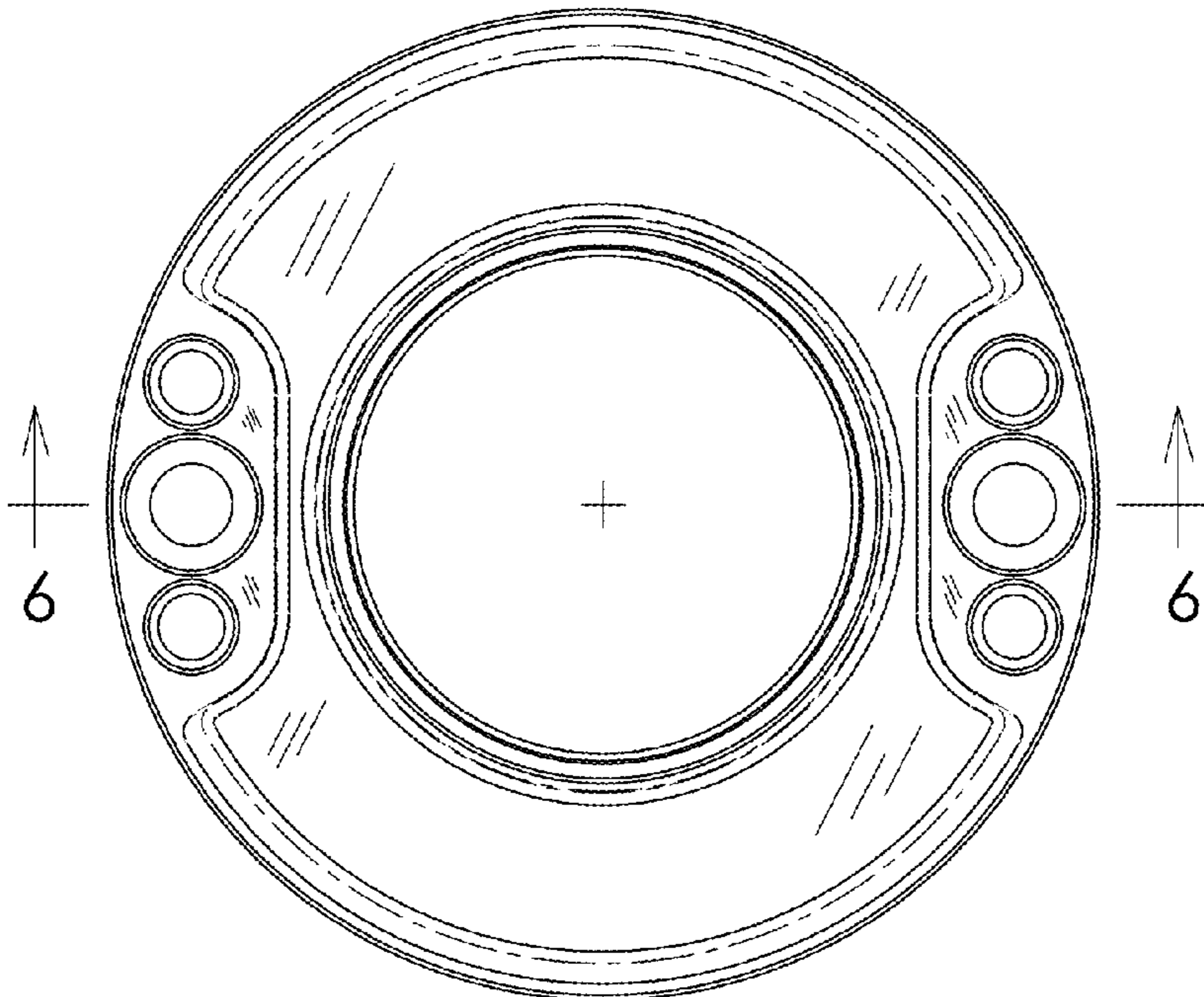


FIG. 2

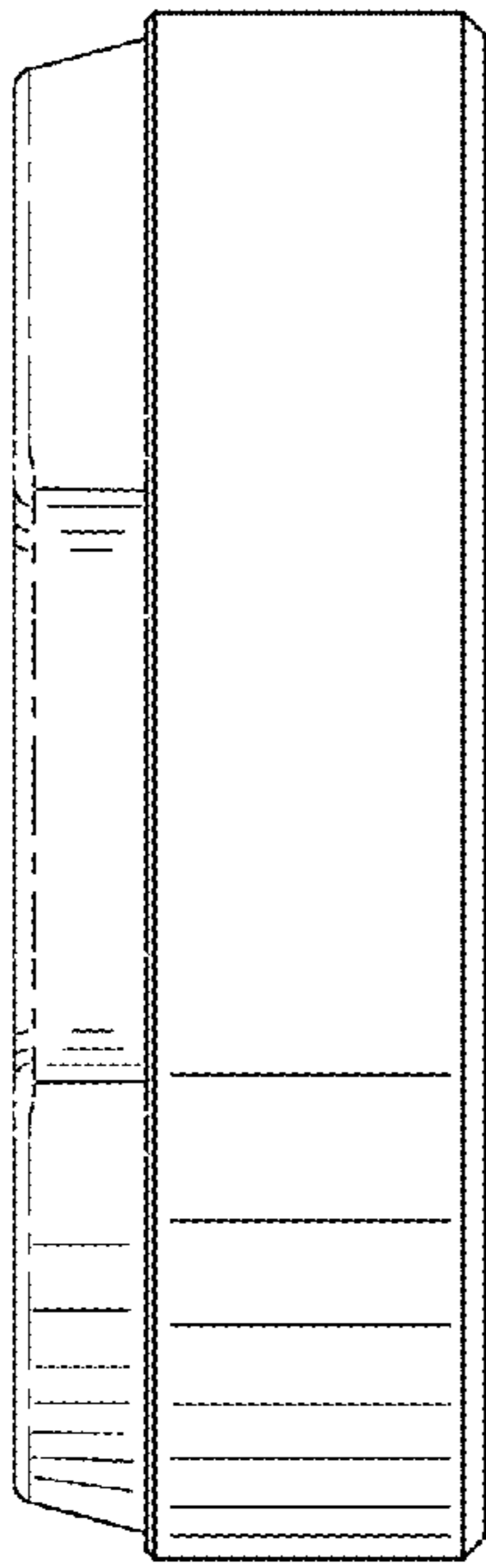


FIG. 3

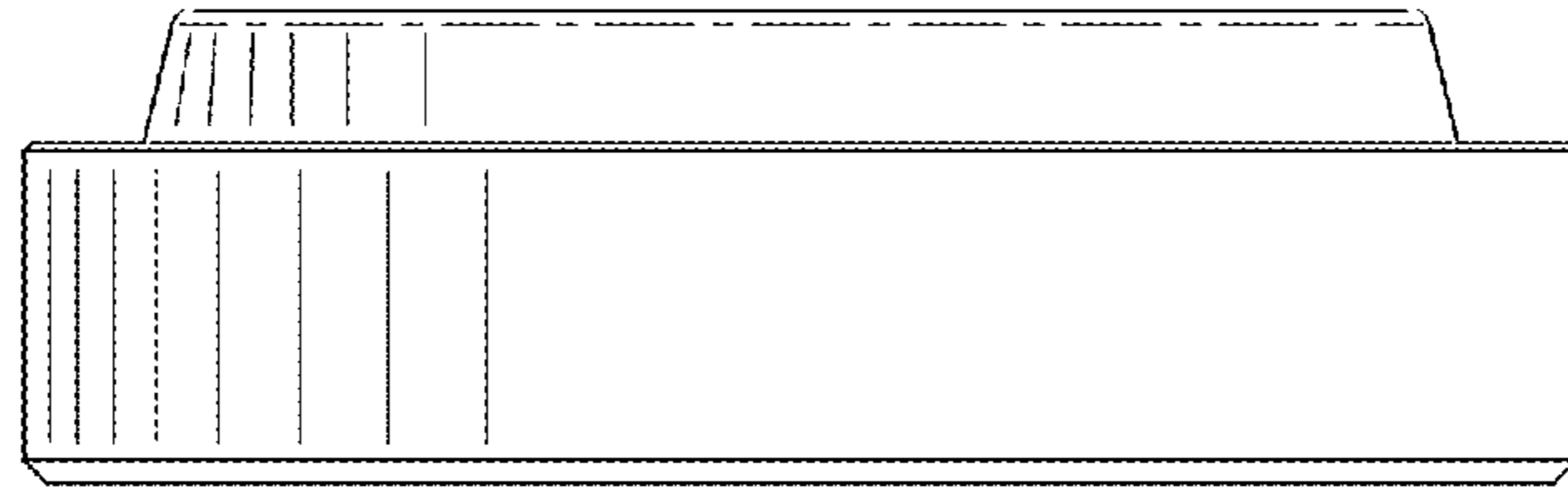


FIG. 4

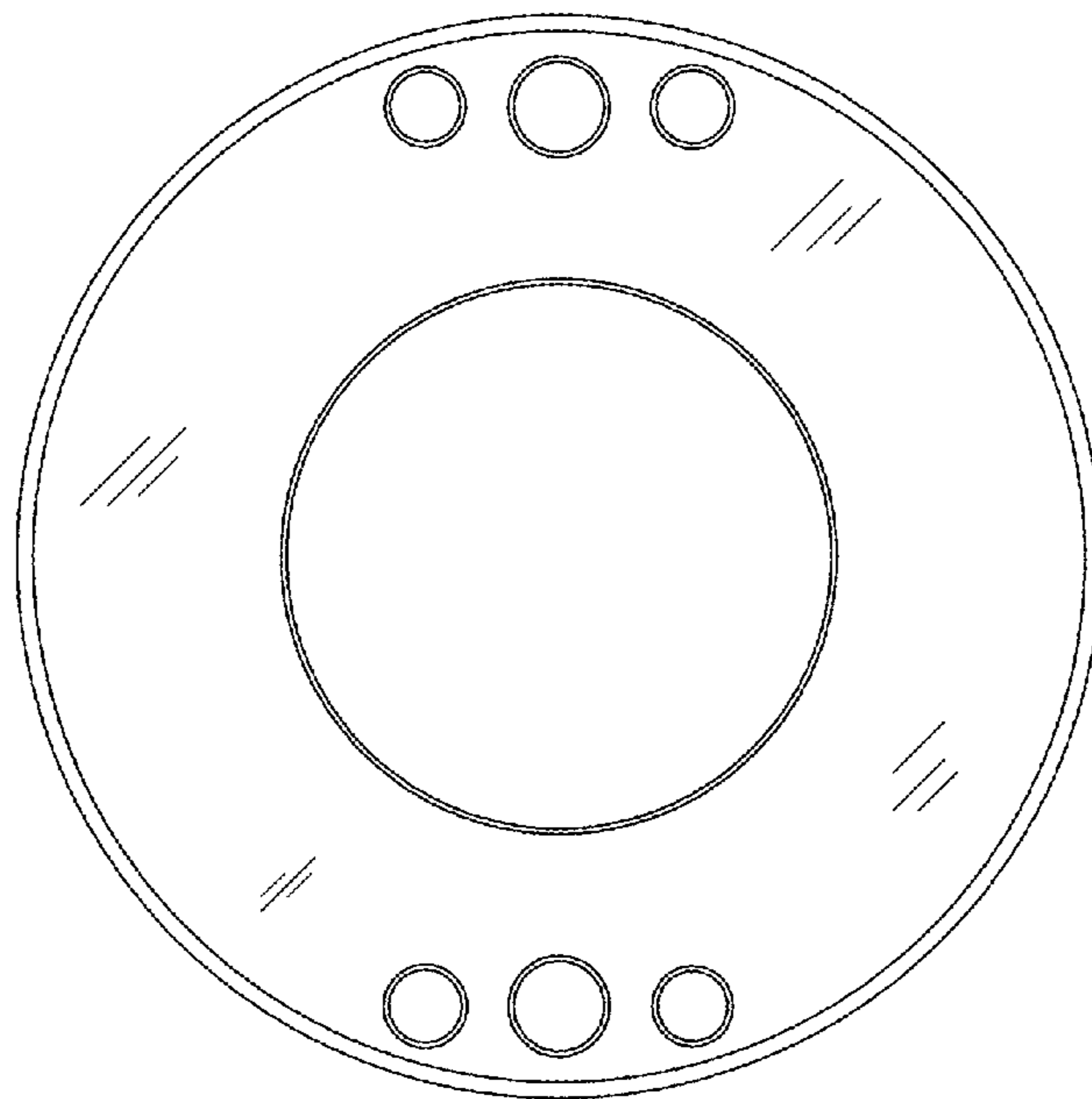


FIG. 5

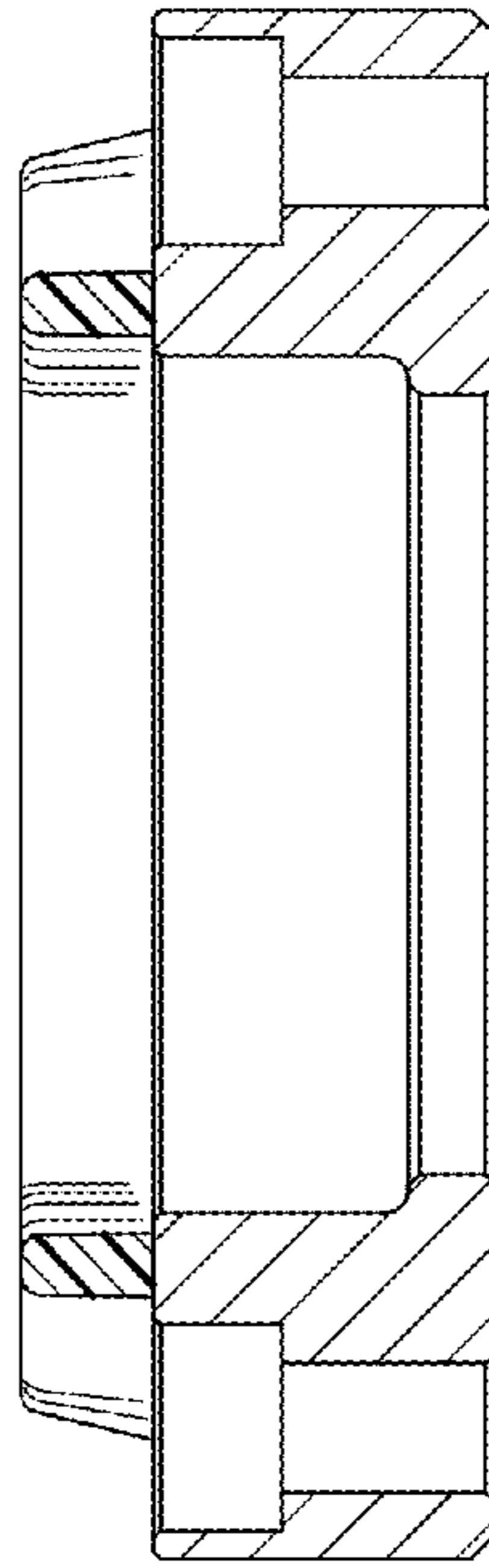


FIG. 6