



US00D713428S

(12) **United States Design Patent**
Cho et al.

(10) **Patent No.:** **US D713,428 S**

(45) **Date of Patent:** **** Sep. 16, 2014**

(54) **REFRIGERATOR**

(71) Applicant: **LG Electronics Inc.**, Seoul (KR)

(72) Inventors: **Kyeongchul Cho**, Gyeonggi-do (KR);
Seonkyu Kim, Seoul (KR); **Hyun Choi**,
Gyeonggi-do (KR); **Seungjin Yoon**,
Gyeonggi-do (KR)

(73) Assignee: **LG Electronics Inc.**, Seoul (KR)

(**) Term: **14 Years**

(21) Appl. No.: **29/456,012**

(22) Filed: **May 28, 2013**

(30) **Foreign Application Priority Data**

Nov. 28, 2012 (KR) 30-2012-0057107

(51) **LOC (10) Cl.** **15-07**

(52) **U.S. Cl.**
USPC **D15/85**

(58) **Field of Classification Search**
USPC D15/79-90; 62/3.6, 3.63, 3.64, 293,
62/331, 371, 440-445, 467; 312/114-119,
312/138.1, 236, 400-408

See application file for complete search history.

(56) **References Cited**

U.S. PATENT DOCUMENTS

D196,207 S *	9/1963	Fink	D15/87
D451,935 S *	12/2001	Yang et al.	D15/85
D486,163 S *	2/2004	Seok et al.	D15/81
D546,843 S *	7/2007	Knoell et al.	D15/87
D547,335 S *	7/2007	Knoell et al.	D15/87
D681,693 S *	5/2013	Meda et al.	D15/85
D681,694 S *	5/2013	Meda et al.	D15/85

* cited by examiner

Primary Examiner — Thomas Johannes

Assistant Examiner — Khawaja Anwar

(74) *Attorney, Agent, or Firm* — Morgan, Lewis & Bockius
LLP

(57) **CLAIM**

The ornamental design for a refrigerator, as shown and described.

DESCRIPTION

FIG. 1 is a front, right side, perspective view of a refrigerator showing our new design;

FIG. 2 is a front view thereof;

FIG. 3 is a rear view thereof;

FIG. 4 is a left side view thereof;

FIG. 5 is a right side view thereof;

FIG. 6 is a top view thereof; and,

FIG. 7 is a bottom view thereof.

1 Claim, 6 Drawing Sheets

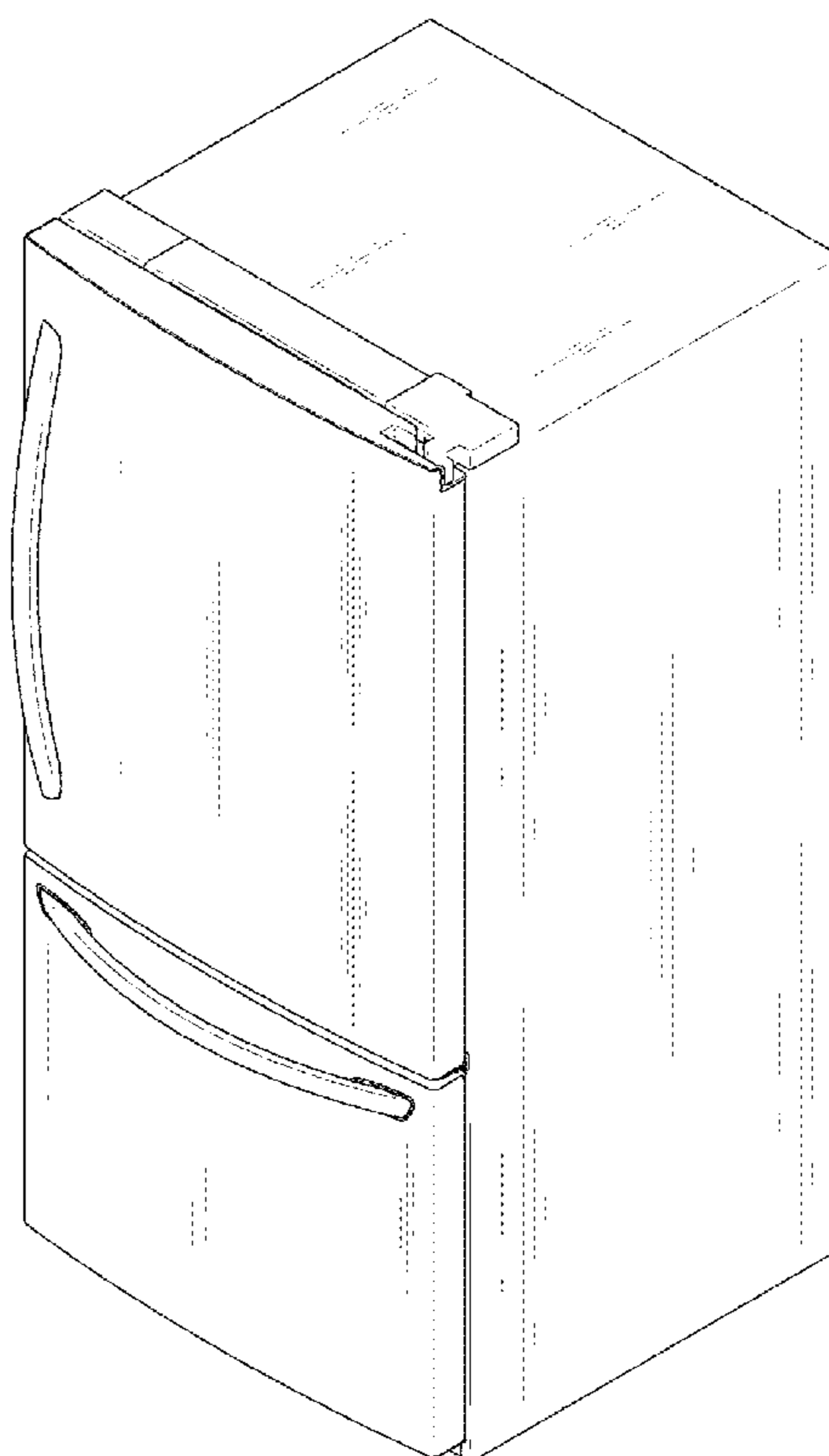


FIG. 1

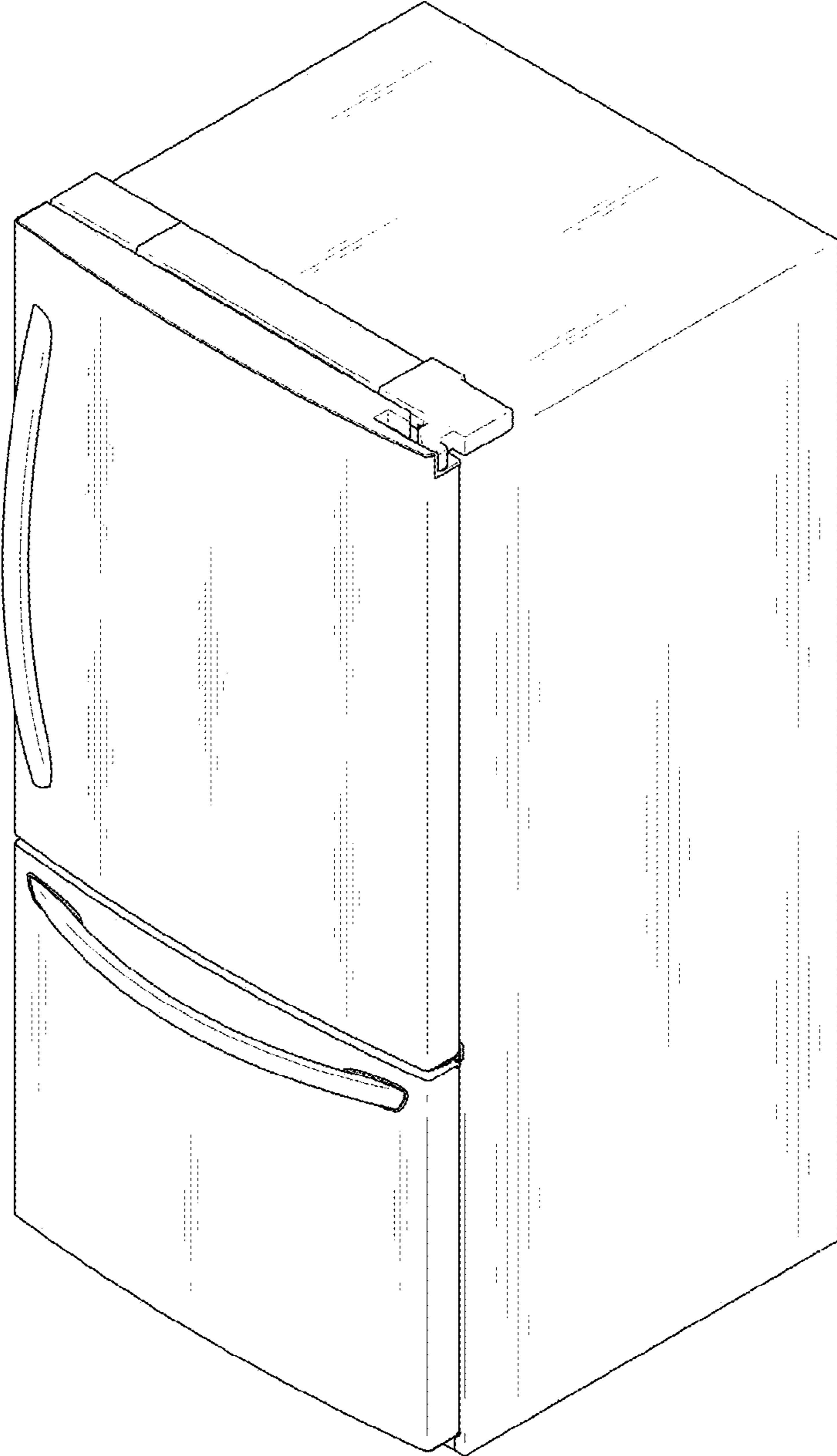


FIG. 2

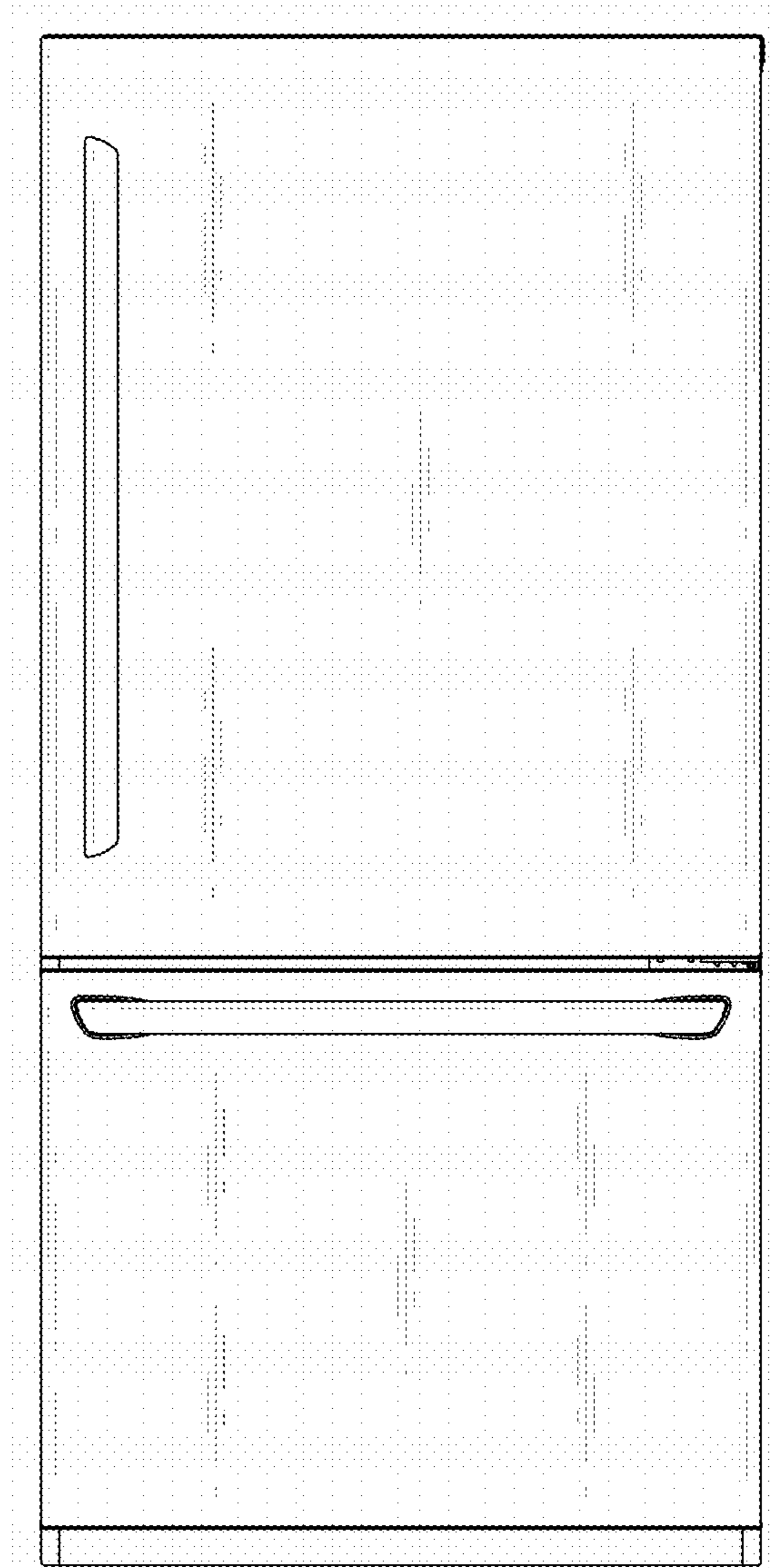


FIG. 3

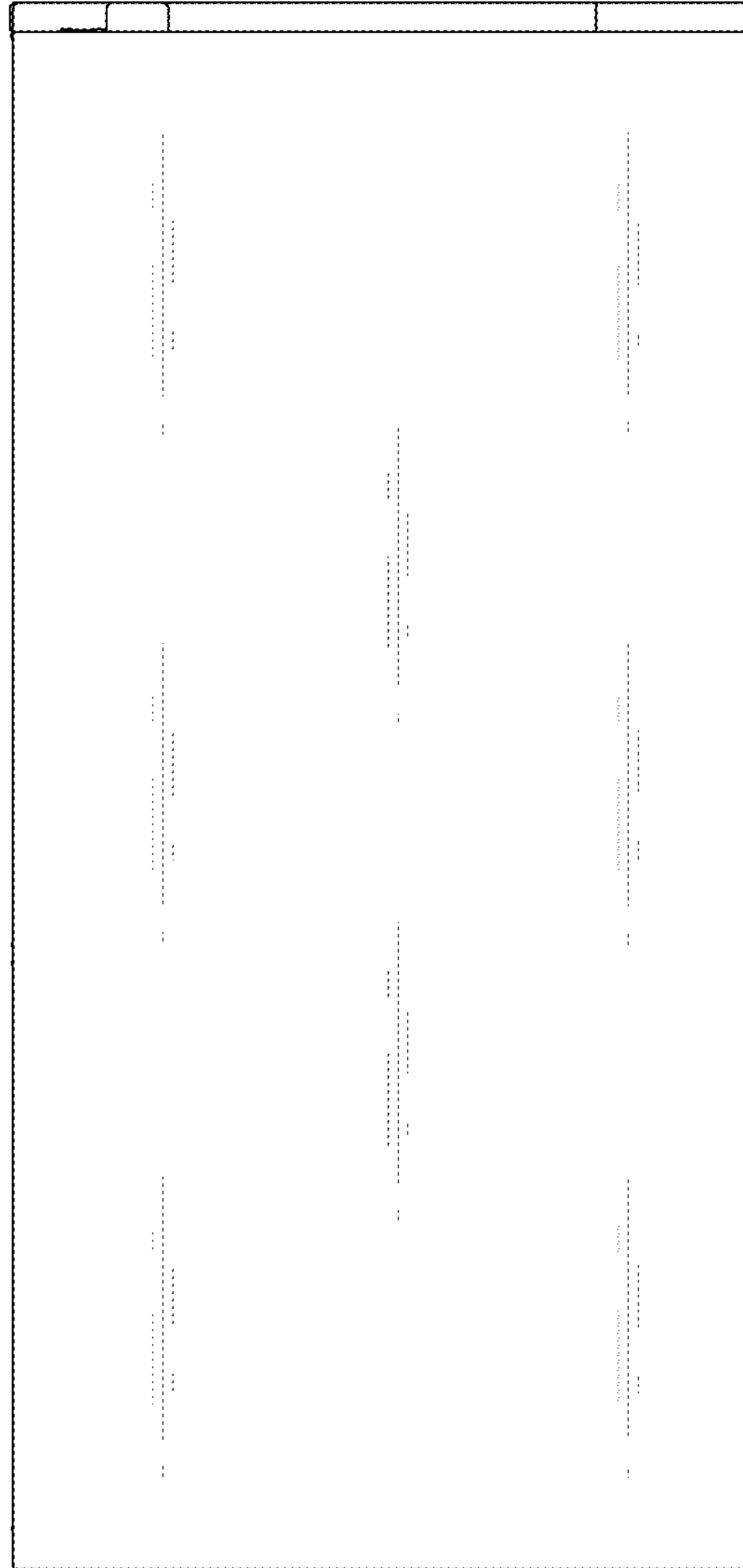


FIG. 4

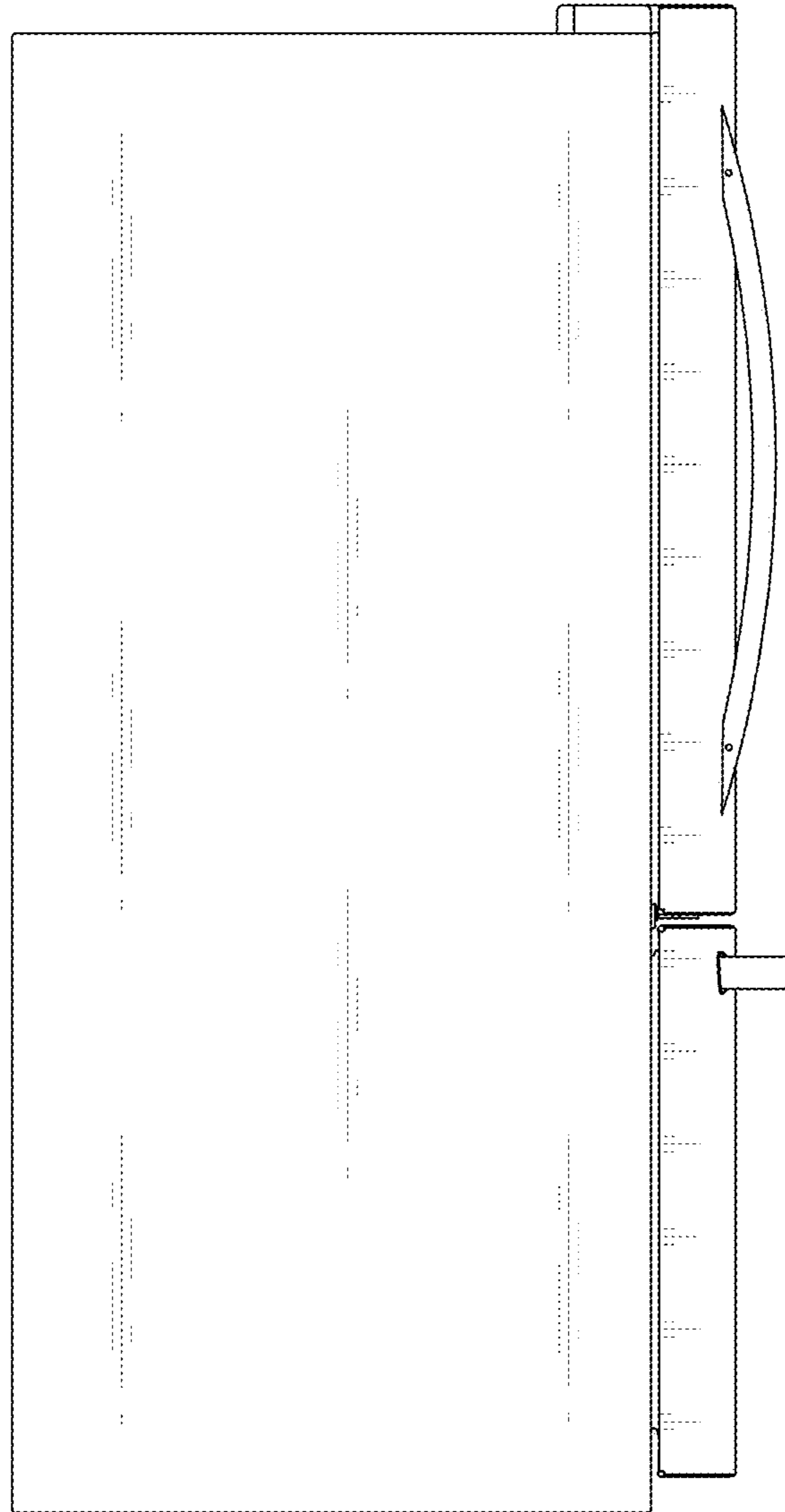


FIG. 5

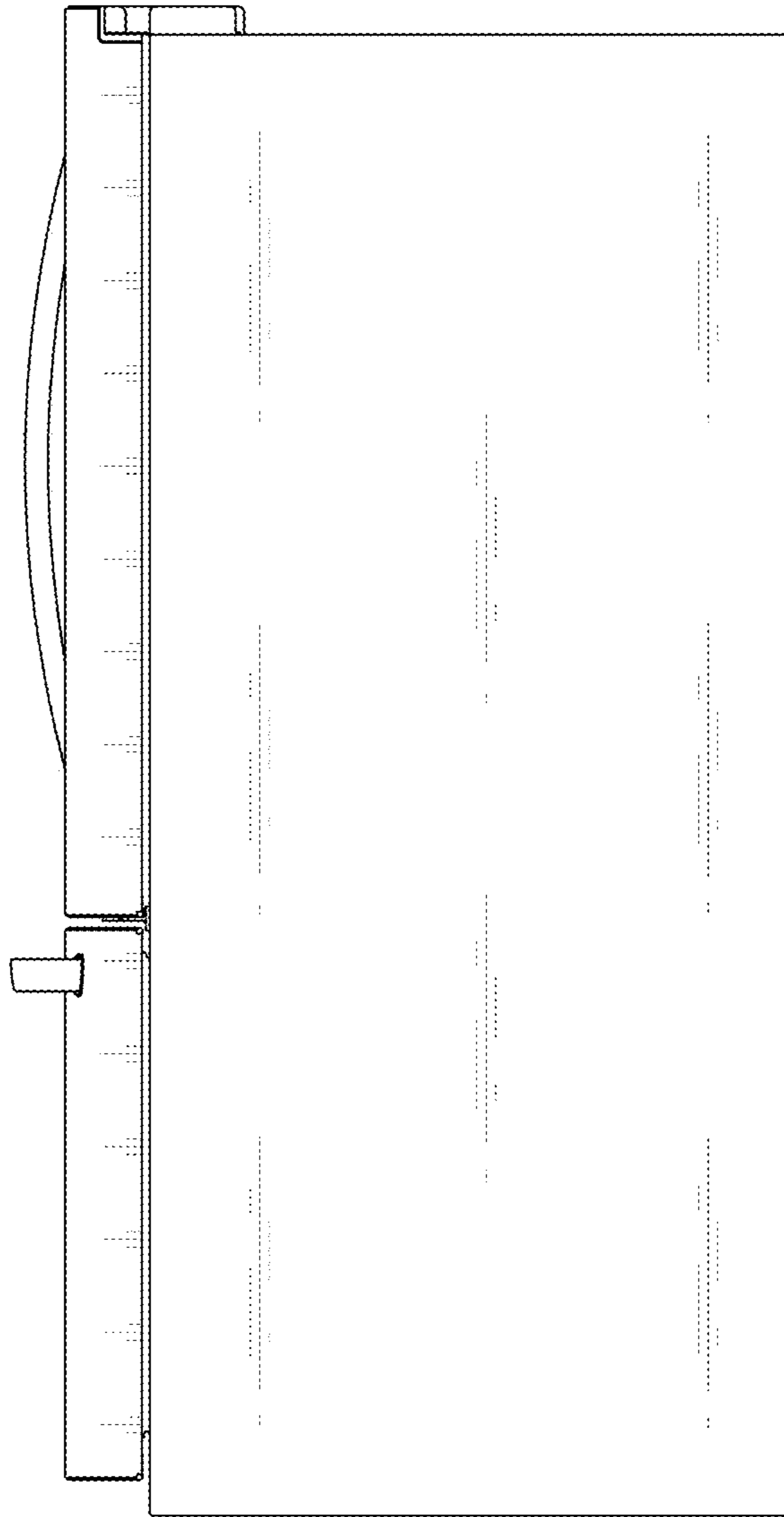


FIG. 6

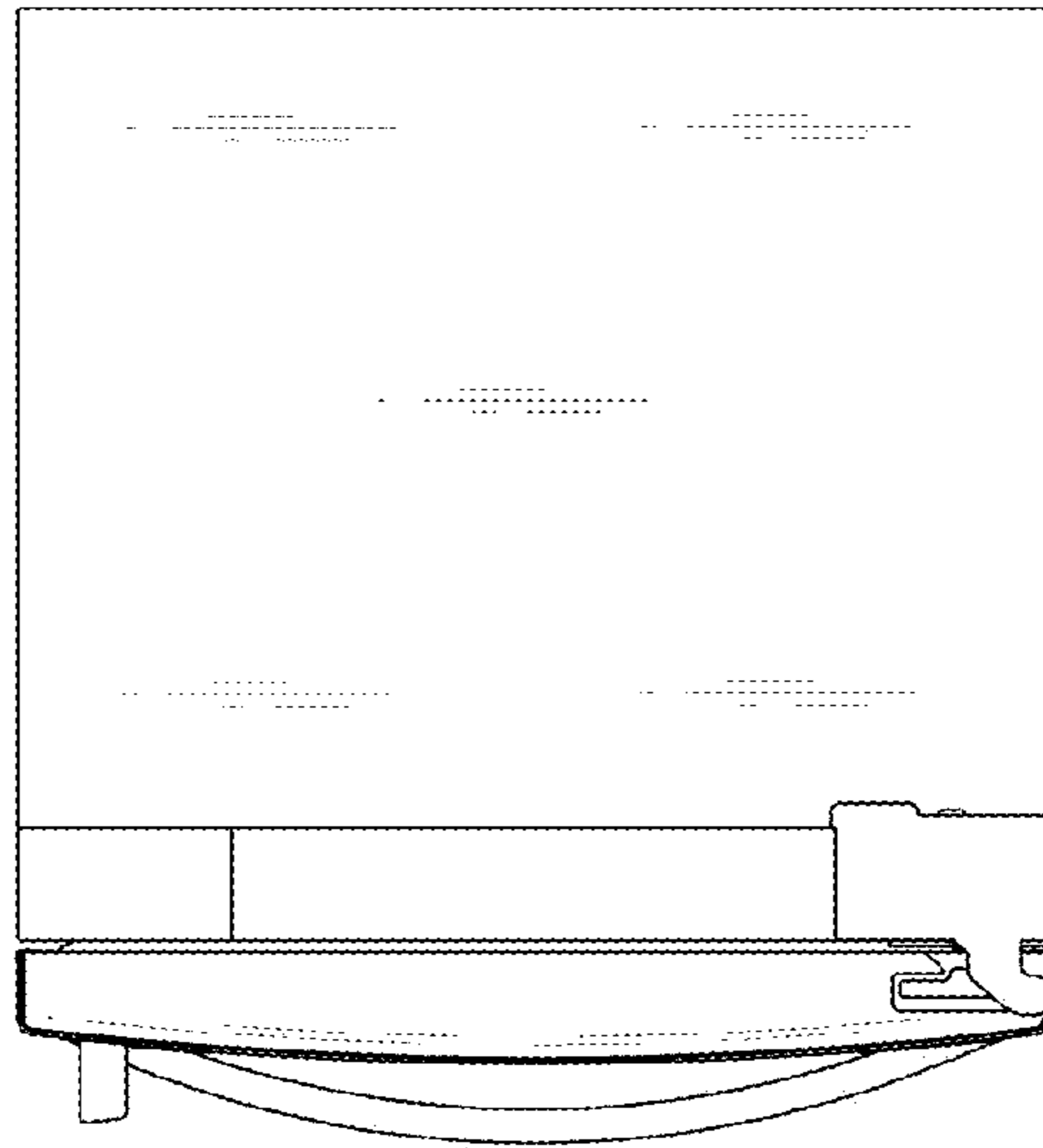


FIG. 7

