



US00D713426S

(12) **United States Design Patent**
Sood et al.

(10) **Patent No.:** **US D713,426 S**

(45) **Date of Patent:** **** Sep. 16, 2014**

(54) **COOLER**

(56) **References Cited**

(71) Applicant: **The Concentrate Manufacturing Company of Ireland**, Hamilton HMHX (BM)

U.S. PATENT DOCUMENTS

(72) Inventors: **Ashish Sood**, Haryana (IN); **Girish Baluja**, New Delhi (IN); **Dewang Parikh**, Gujarat (IN); **Pradip Subramaniam**, Karnataka (IN); **Tanmaya Vats**, Haryana (IN)

343,301	A	*	6/1886	Currier	312/270.3
D145,222	S	*	7/1946	Loewy	D15/83
4,030,476	A	*	6/1977	Hock	126/246
4,327,279	A	*	4/1982	Guibert	219/400
4,480,628	A	*	11/1984	Simpson	126/21 A
D289,404	S	*	4/1987	Lin	D15/81
D317,844	S	*	7/1991	Stoddard et al.	D7/605
D354,885	S	*	1/1995	Lanius	D7/605
D440,987	S	*	4/2001	Okamoto et al.	D15/81
6,626,508	B1	*	9/2003	Hase et al.	312/236
D501,488	S	*	2/2005	Sato et al.	D15/81
D501,856	S	*	2/2005	Okamoto et al.	D15/81
D579,032	S	*	10/2008	Nehring et al.	D15/87
D641,119	S	*	7/2011	Rampton et al.	D34/1
D647,112	S	*	10/2011	Okamoto et al.	D15/81
D652,599	S	*	1/2012	Kane	D34/1
D659,172	S	*	5/2012	Okuda	D15/81
D671,148	S	*	11/2012	Kim	D15/81
D681,692	S	*	5/2013	Meda et al.	D15/81

(73) Assignee: **The Concentrate Manufacturing Company of Ireland**, Hamilton HMHX (BM)

(**) Term: **14 Years**

* cited by examiner

(21) Appl. No.: **29/434,154**

Primary Examiner — Ian Simmons

(22) Filed: **Oct. 10, 2012**

Assistant Examiner — Shannon Morgan

(30) **Foreign Application Priority Data**

(74) *Attorney, Agent, or Firm* — Colin P. Cahoon; Celina M. Orr; Carstens & Cahoon, LLP

Apr. 10, 2012 (IN) 244543

(51) **LOC (10) Cl.** **15-07**

(57) **CLAIM**

The ornamental design for a cooler, as shown and described.

(52) **U.S. Cl.**

USPC **D15/81; D7/605**

DESCRIPTION

(58) **Field of Classification Search**

USPC D7/603–608, 628, 629, 710; D15/79, D15/80, 81, 82, 83, 85, 86; 220/592.04, 220/592.05, 592.06, 592.07, 592.08, 220/592.14, 592.13, 592.12, 592.17, 220/592.18, 592.02, 592.11, 592.01, 220/592.03, 592.09, 592.16, 592.2, 915.1, 220/915.2; 62/457.1–457.9, 371, 372, 386, 62/464; 312/236; D3/302; D34/1, 5, 6, 12, D34/19, 25

FIG. 1 is a top, left front perspective view of a cooler showing our new design;

FIG. 2 is a front elevational view thereof;

FIG. 3 is a right side elevational view thereof;

FIG. 4 is a left side elevational view thereof;

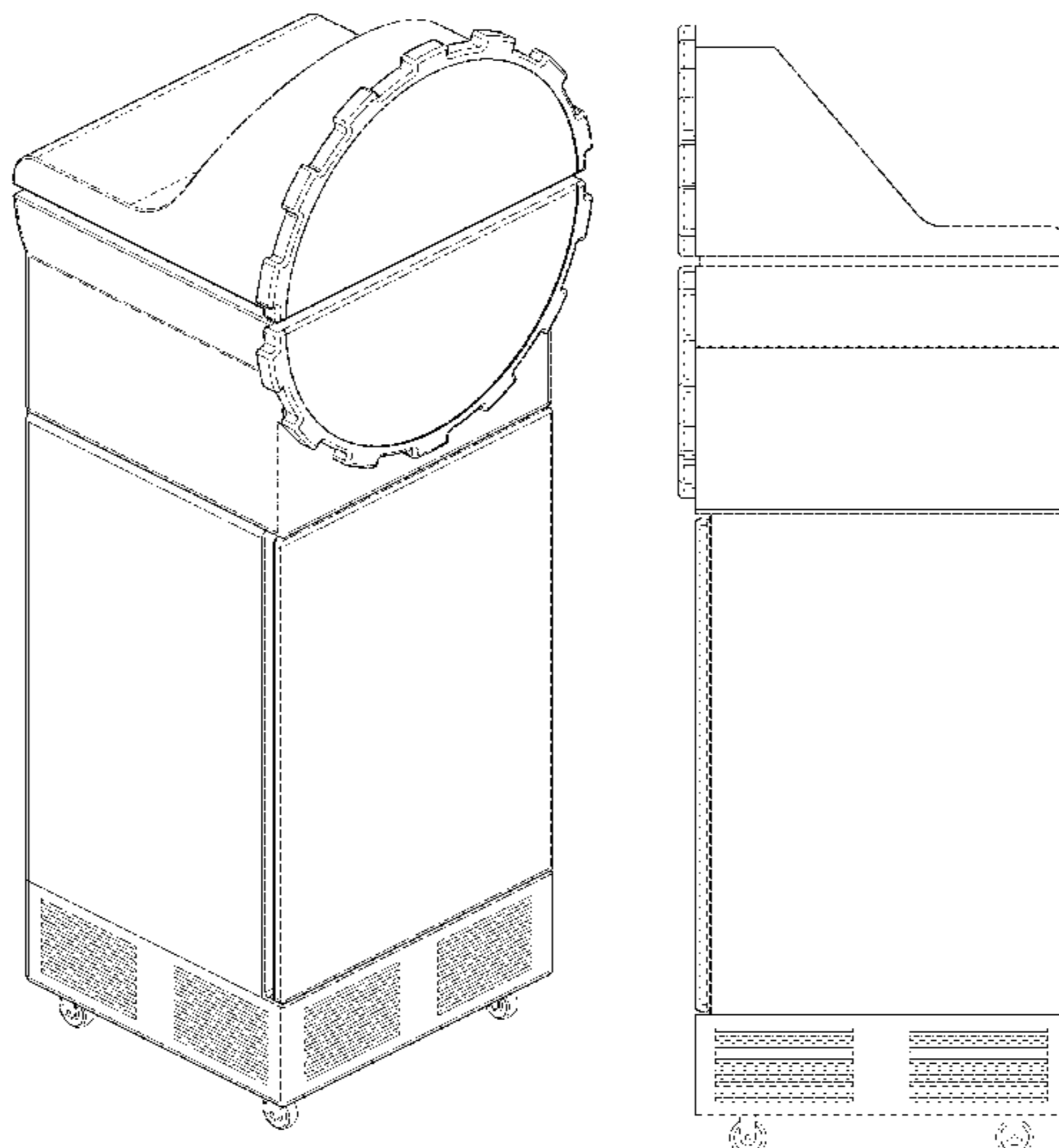
FIG. 5 is a rear elevational view thereof; and,

FIG. 6 is a top elevational view thereof.

The broken lines in FIGS. 1, 5, and 6 of the cooler are for the purpose of illustrating environment, and form no part of the claimed design.

See application file for complete search history.

1 Claim, 5 Drawing Sheets



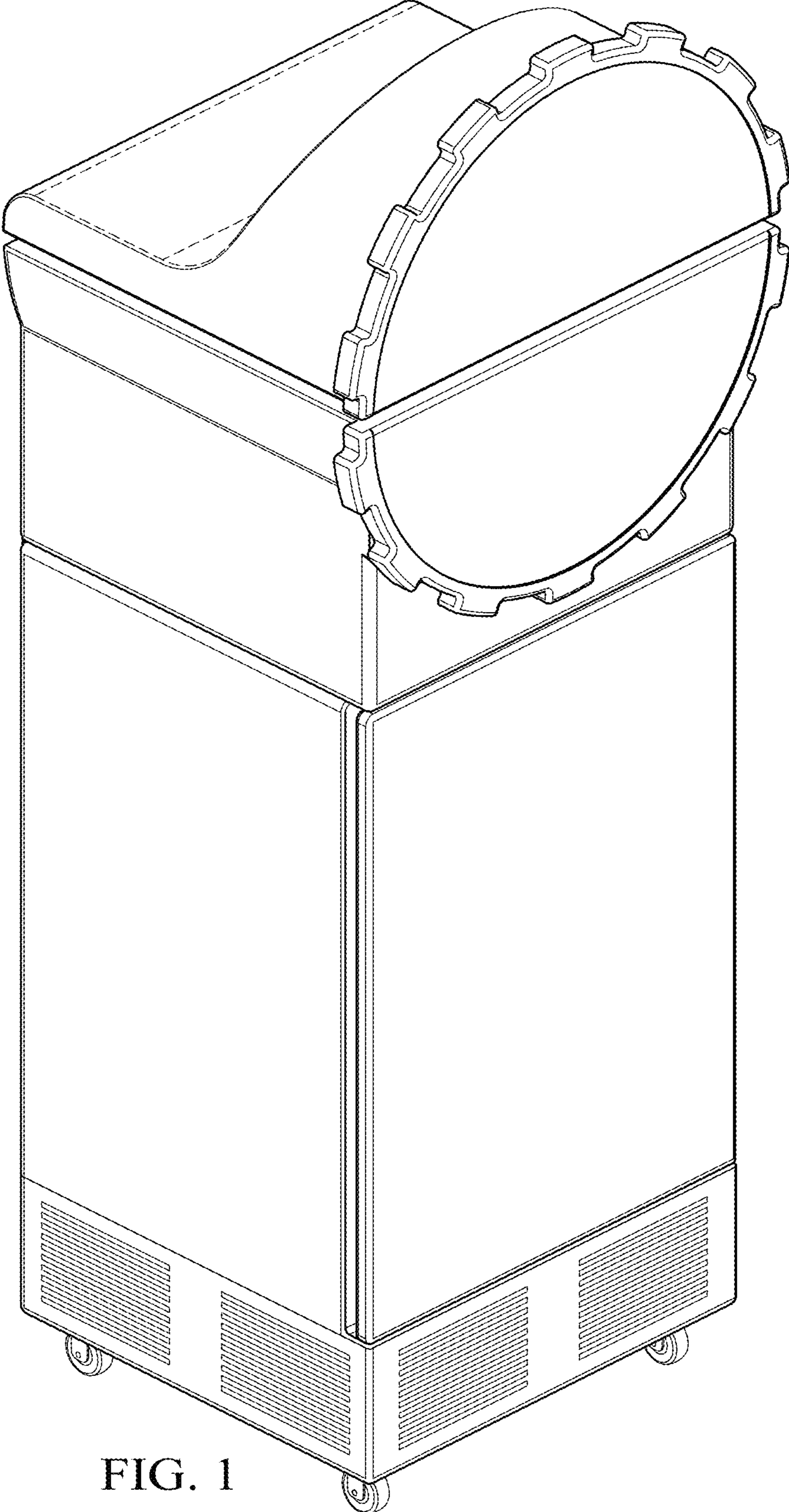


FIG. 1

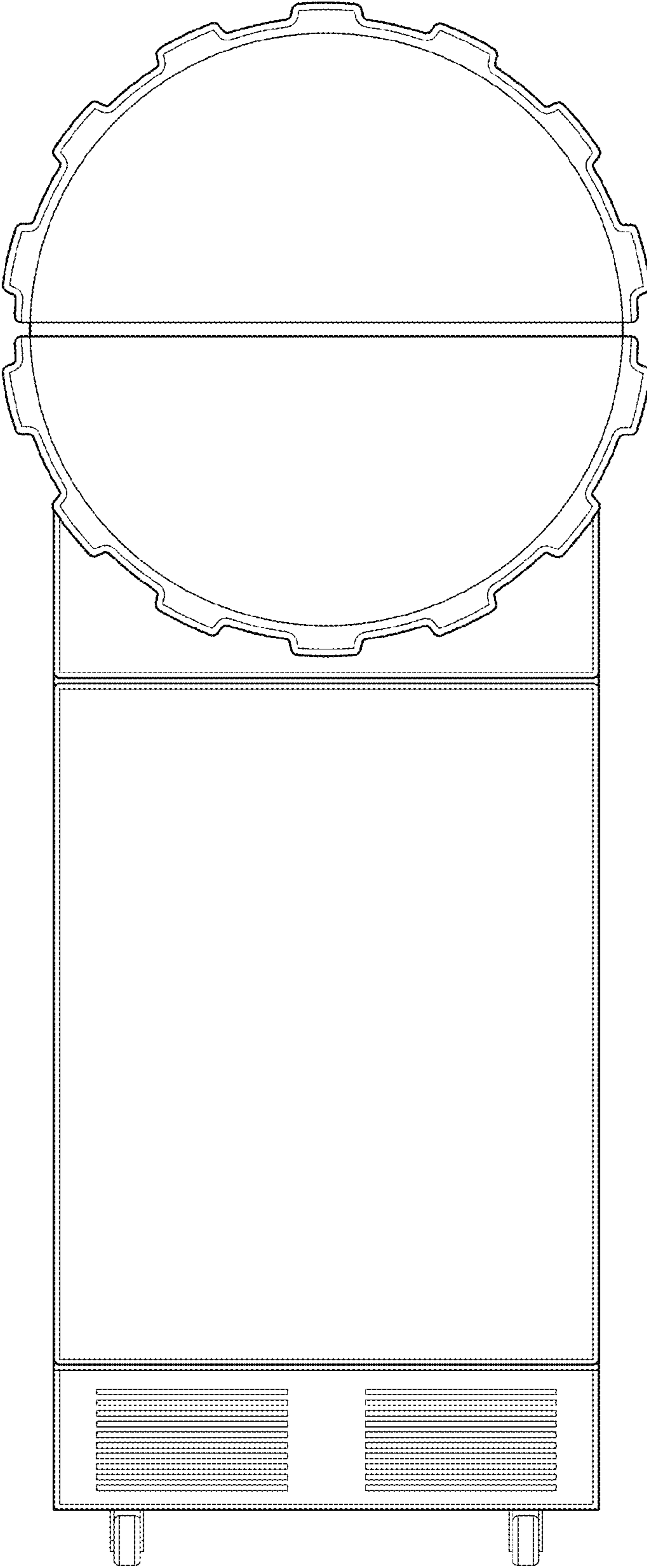


FIG. 2

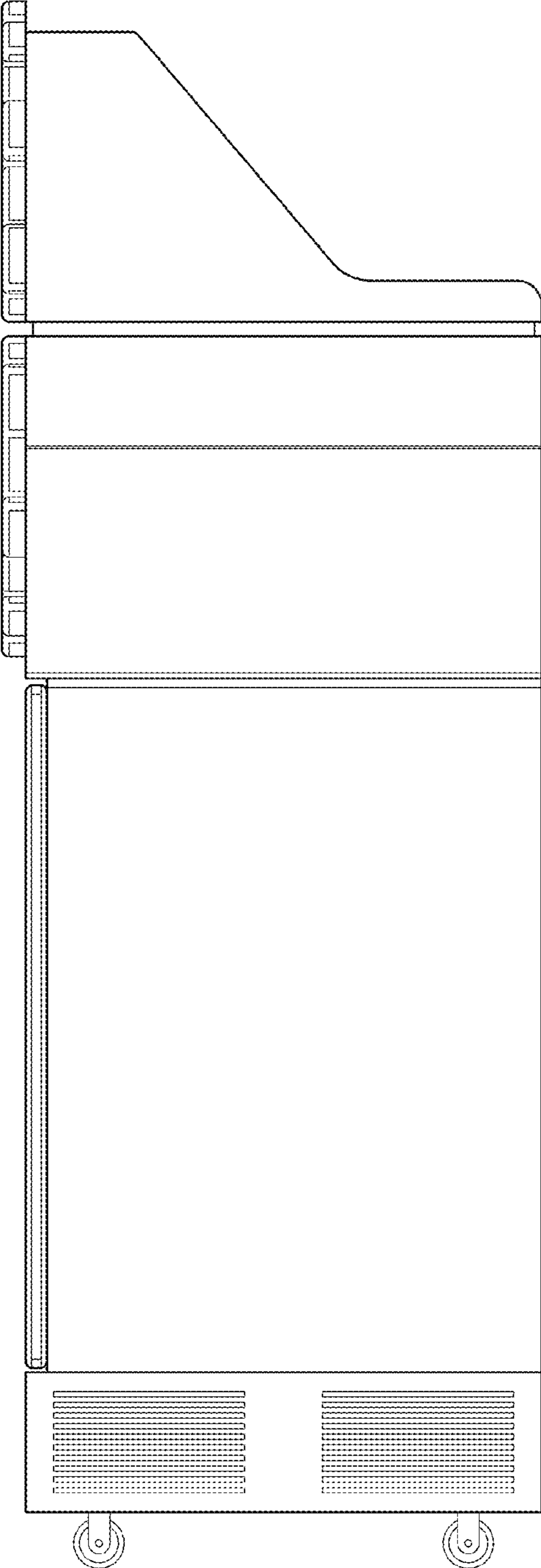


FIG. 3

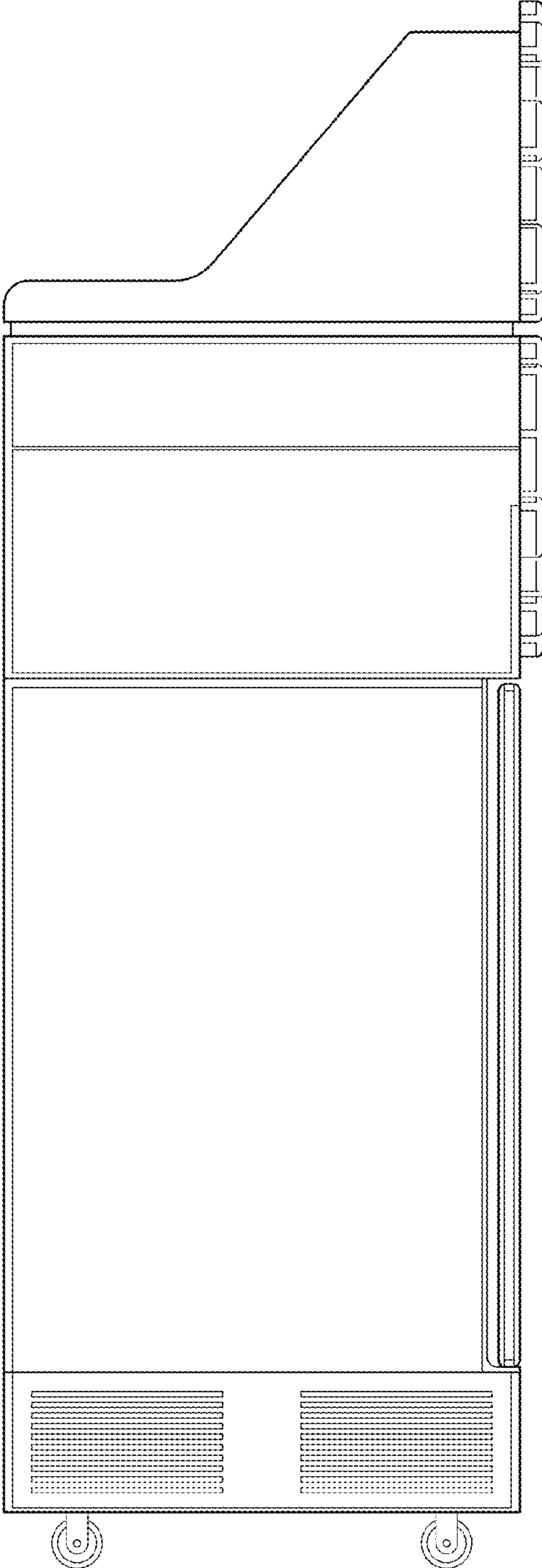


FIG. 4

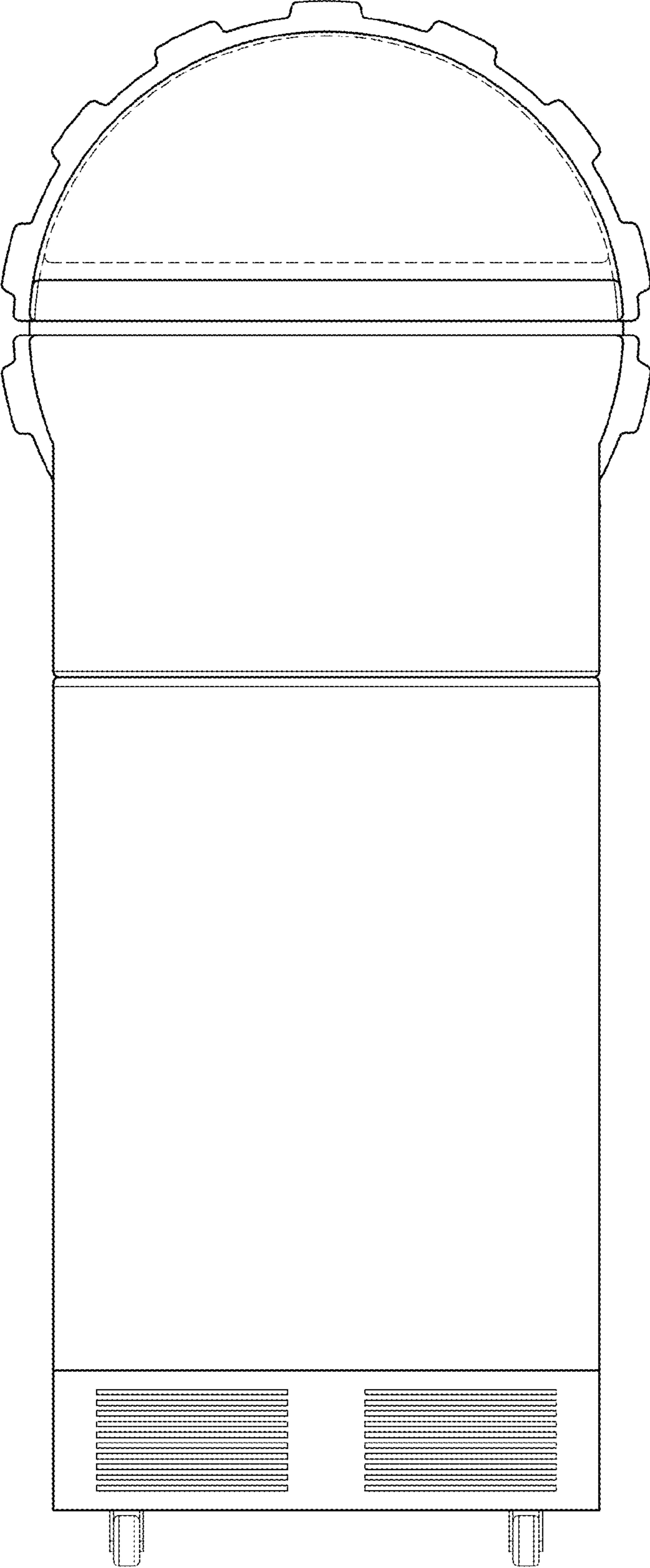


FIG. 5

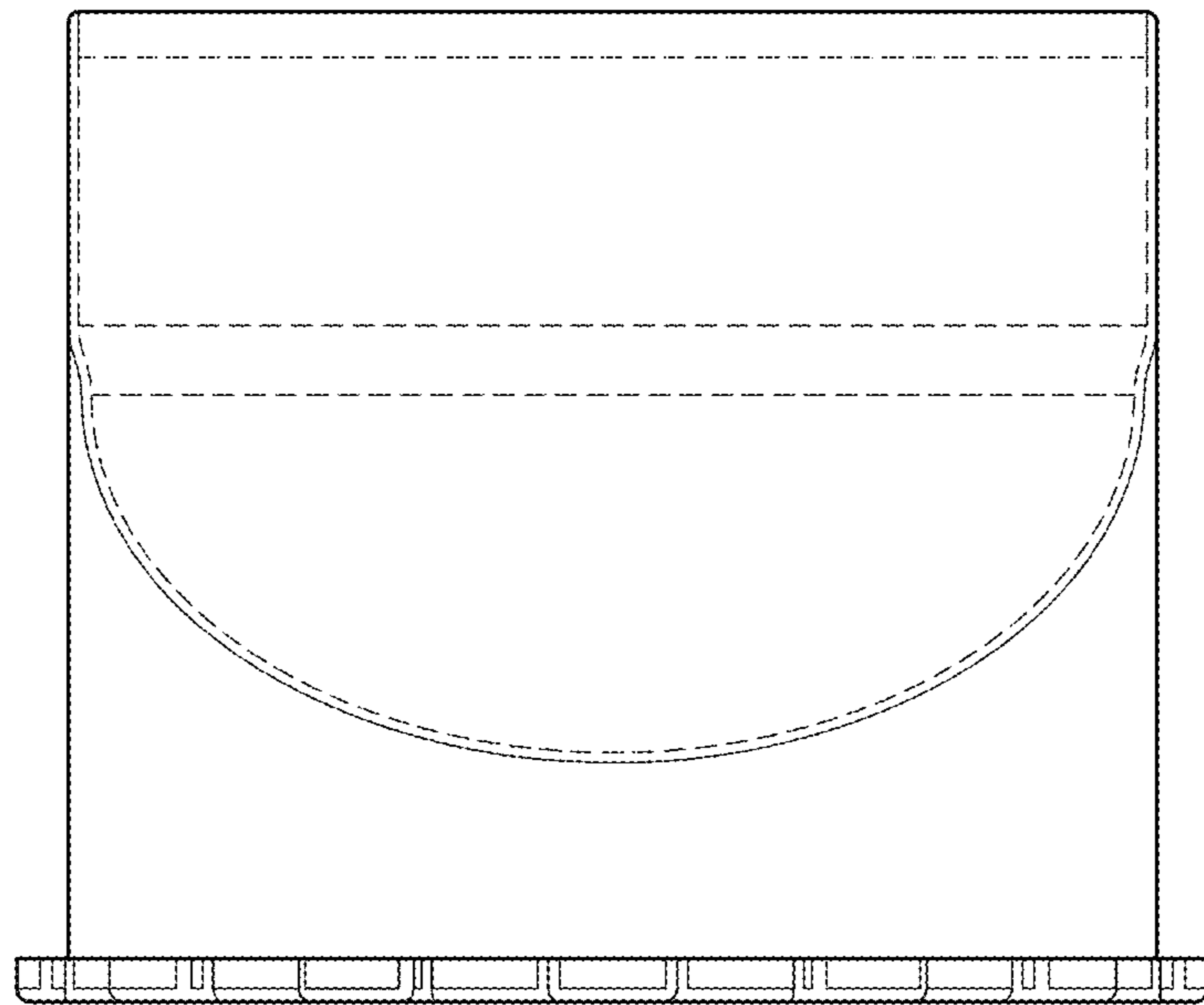


FIG. 6