



US00D713425S

(12) **United States Design Patent**
Irion et al.

(10) **Patent No.:** **US D713,425 S**

(45) **Date of Patent:** **** Sep. 16, 2014**

(54) **CONCRETE TIE CRIBBER TOOL**

(71) Applicant: **Nordco Inc.**, Oak Creek, WI (US)

(72) Inventors: **Allan Irion**, Milwaukee, WI (US);
David Paton, Sussex, WI (US)

(73) Assignee: **Nordco, Inc.**, Oak Creek, WI (US)

(**) Term: **14 Years**

(21) Appl. No.: **29/439,566**

(22) Filed: **Dec. 12, 2012**

(51) **LOC (10) Cl.** **08-99**

(52) **U.S. Cl.**
USPC **D15/32**; D8/499

(58) **Field of Classification Search**

CPC E01B 27/04; E01B 2203/083; E01B
2203/027; E01B 27/026; E01B 27/10; E01B
29/10; E01B 29/32; E01B 31/22; E01B 29/06;
E01B 2203/028; E01B 2203/03; E01B
2203/038; E01B 2203/141; F16B 7/18;
B60R 21/2171; E04F 11/181; E04H 17/1421;
E04H 2017/1452; B60B 11/02; B60B 37/00;
A63B 59/0092; B23P 19/027; B25B 27/00;
B25B 27/026; B25B 27/14; B61D 7/28;
B63B 35/7926
USPC D15/32; D8/400-499; D25/199;
52/24-26, 545, 533, 98; 37/104; 104/2,
104/7.3; 171/136; 172/713, 761, 766, 784;
D12/36, 42
See application file for complete search history.

(56) **References Cited**

U.S. PATENT DOCUMENTS

D59,380 S * 10/1921 Serafin D15/78
1,588,801 A 6/1926 Overmier

1,691,933 A 11/1928 Overmier
2,950,549 A * 8/1960 Kershaw 37/104
3,005,274 A * 10/1961 Kershaw 37/104
3,826,195 A 7/1974 Bucksch
4,102,066 A * 7/1978 Christoff 37/104
4,484,373 A * 11/1984 Price 15/207.2
4,742,628 A * 5/1988 Cicin-Sain 37/105
5,349,791 A * 9/1994 Zaleski 52/24

(Continued)

OTHER PUBLICATIONS

Stonedilla Cribber(Operation and Maintenance Manual). Nordco
Equipment Services[pdf] p. 37 of 50. Revised: Dec. 2011 [retrieved
on Jan. 3, 2014]. Retrieved from Internet: <URL http://www.nordco.
com/Media/Maintenance-of-Way-Equipment/Ballast--Tamping-
Machines/Manuals/Cribber/SN-230025-above-/Crib-
berOperationManual49452300.pdf>.*

(Continued)

Primary Examiner — Susan Bennett Hattan

Assistant Examiner — Marie Fast Horse

(74) *Attorney, Agent, or Firm* — Greer, Burns & Crain Ltd.

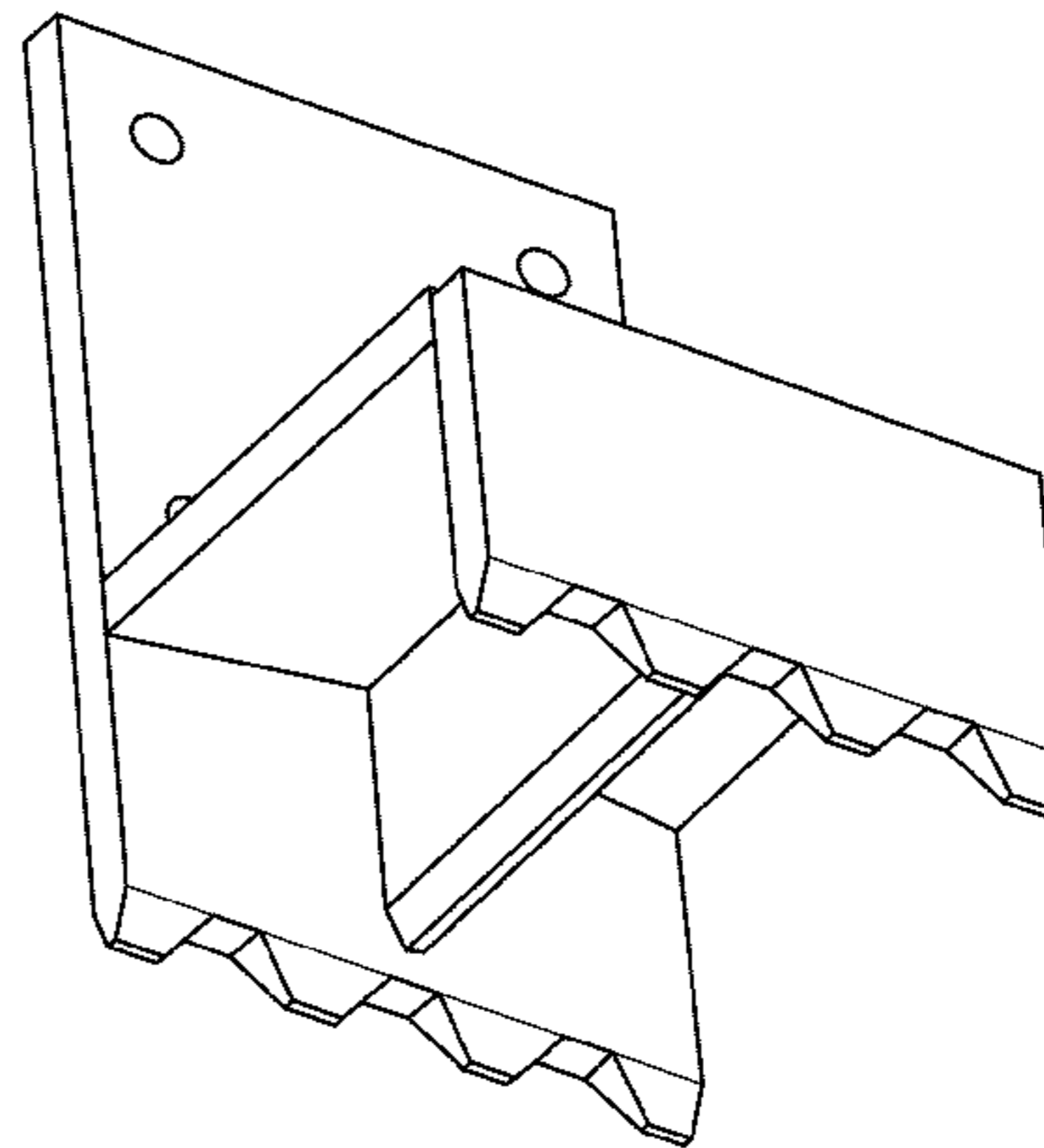
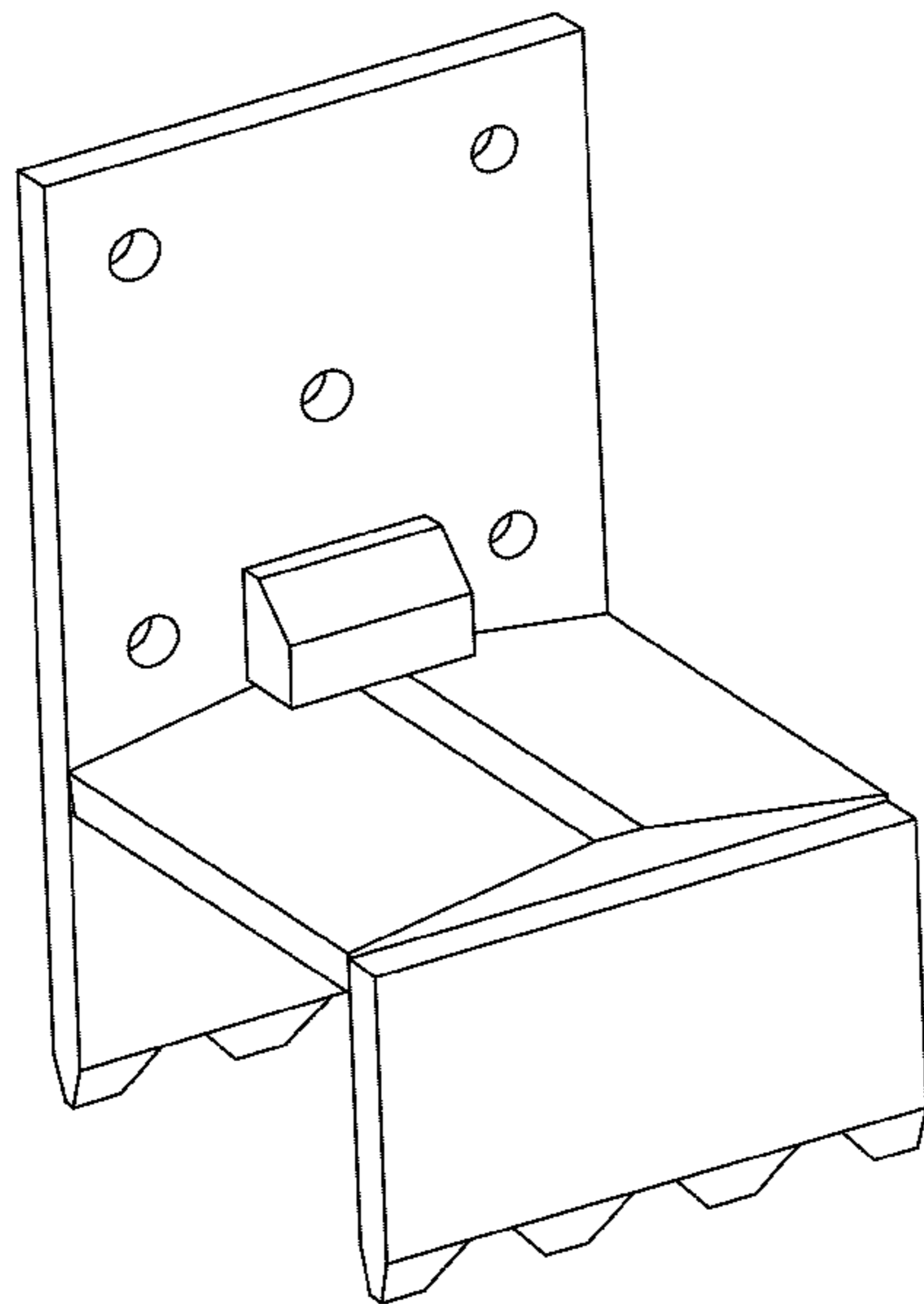
(57) **CLAIM**

The ornamental design for a concrete tie cribber tool, as
shown and described.

DESCRIPTION

FIG. 1 is a front view of the present tool;
FIG. 2 is a rear view of the tool of FIG. 1;
FIG. 3 is a right side view, the left side view being identical,
of the tool of FIG. 1;
FIG. 4 is a top view of the tool of FIG. 1;
FIG. 5 is a bottom view of the tool of FIG. 1;
FIG. 6 is a top front perspective view of the tool of FIG. 1; and,
FIG. 7 is a bottom front perspective view of the tool of FIG. 1.

1 Claim, 7 Drawing Sheets



(56)

References Cited

U.S. PATENT DOCUMENTS

5,600,903 A * 2/1997 McCray 37/105
5,711,114 A * 1/1998 Mueller 52/24
6,266,929 B1 * 7/2001 Cline 52/24
6,382,329 B2 * 5/2002 Pitts 172/784
D499,011 S * 11/2004 Rizzo D8/499
D499,332 S * 12/2004 Rizzo D8/499
6,996,938 B1 * 2/2006 Mullane 52/24

7,587,981 B2 * 9/2009 Theurer et al. 104/7.3
D609,373 S * 2/2010 Curtas D25/199
D610,267 S * 2/2010 Grice D25/55
D669,919 S * 10/2012 Attwood et al. D15/32
D677,017 S * 2/2013 Jeffries D30/131

OTHER PUBLICATIONS

See Co-pending U.S. Appl. No. 13/712,452, filed Dec. 12, 2012.

* cited by examiner

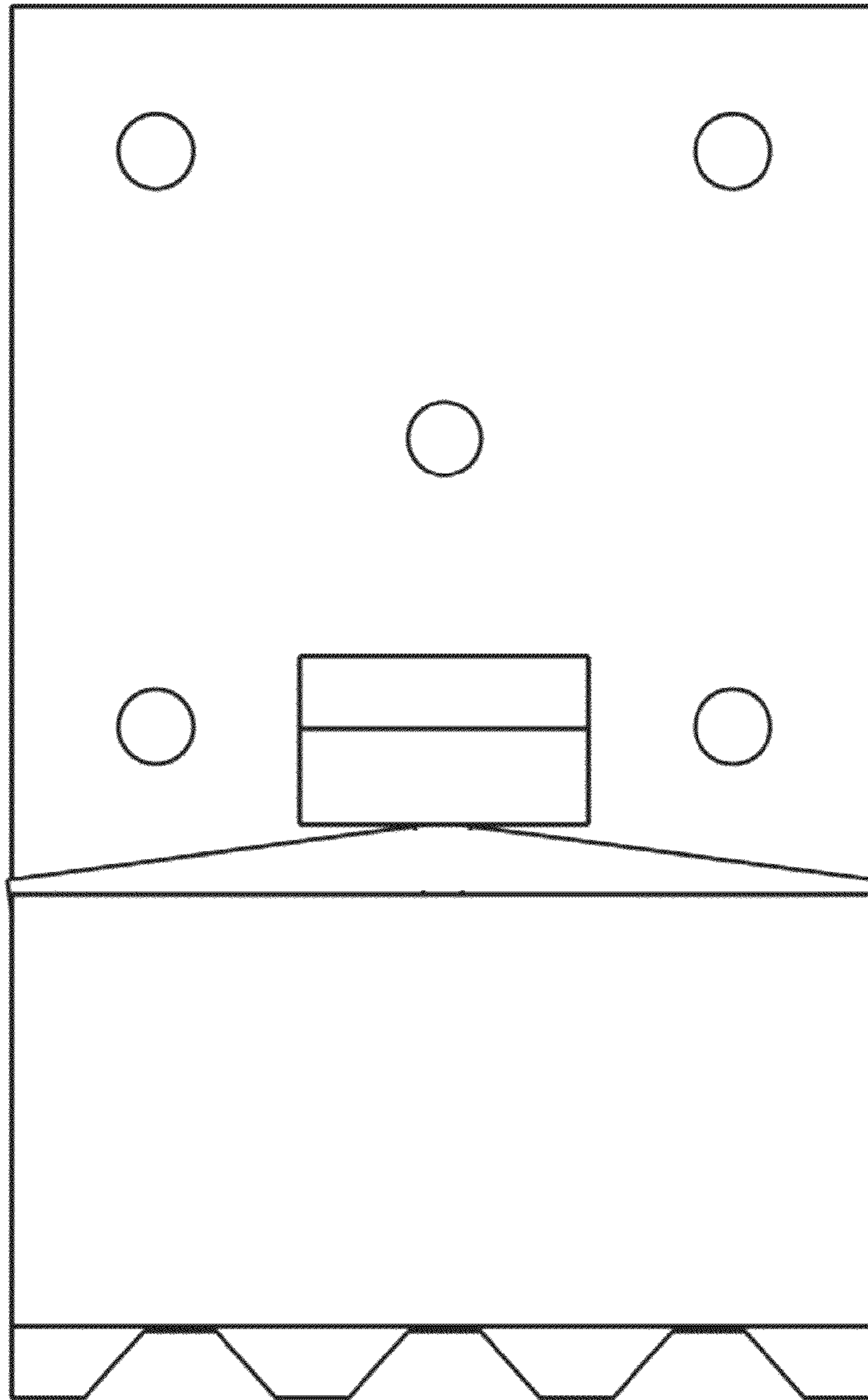


Fig. 1

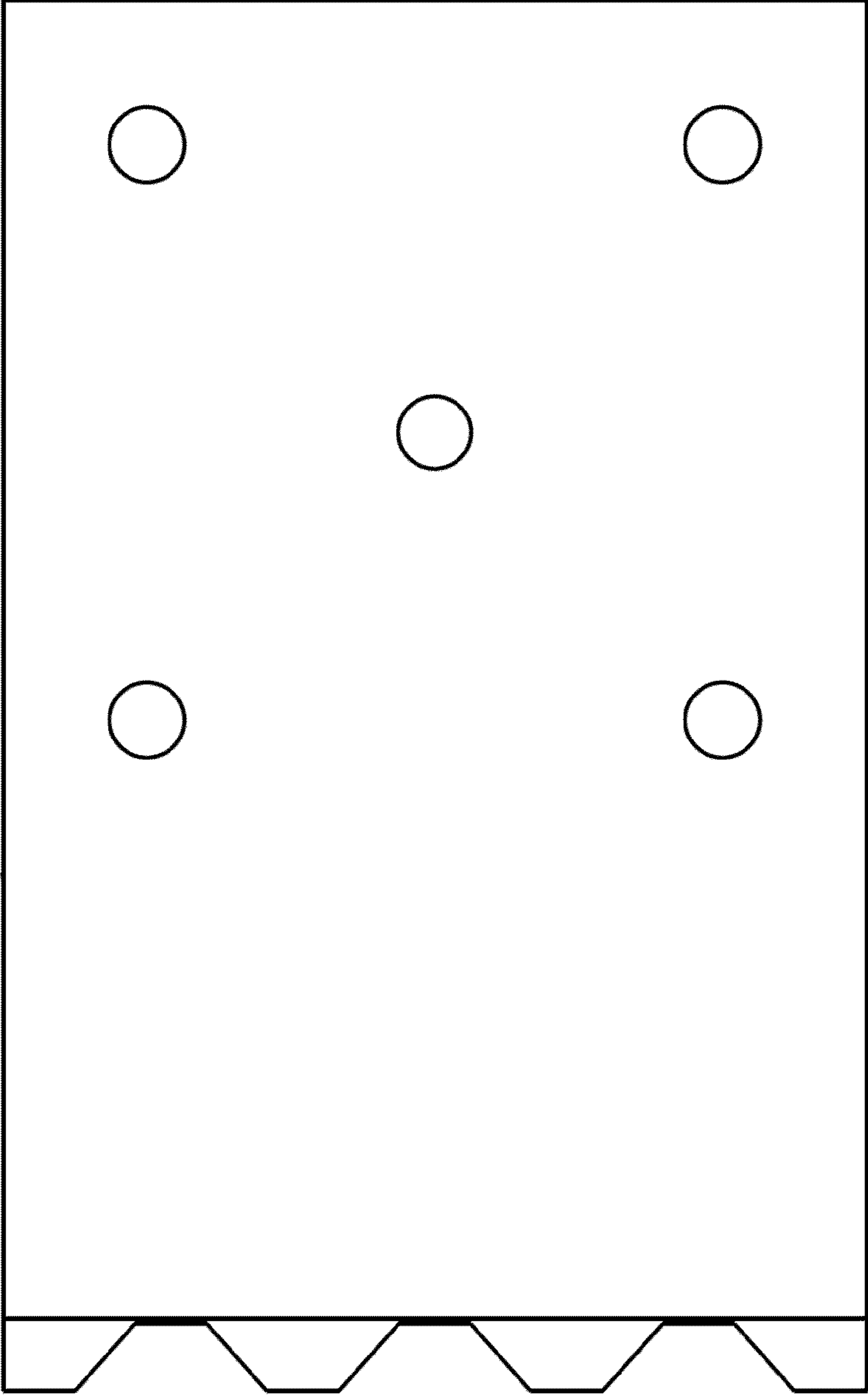


Fig. 2

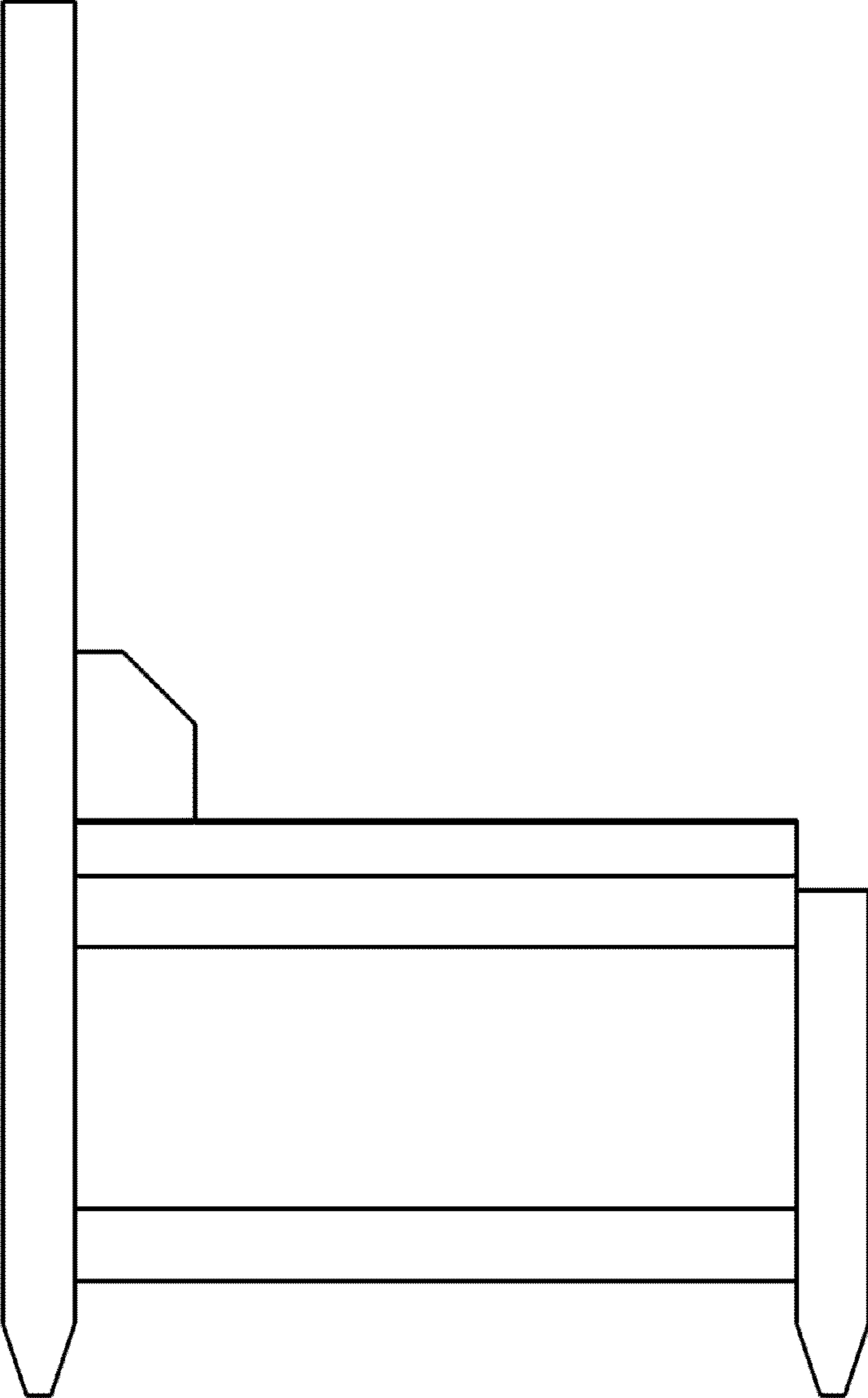


Fig. 3

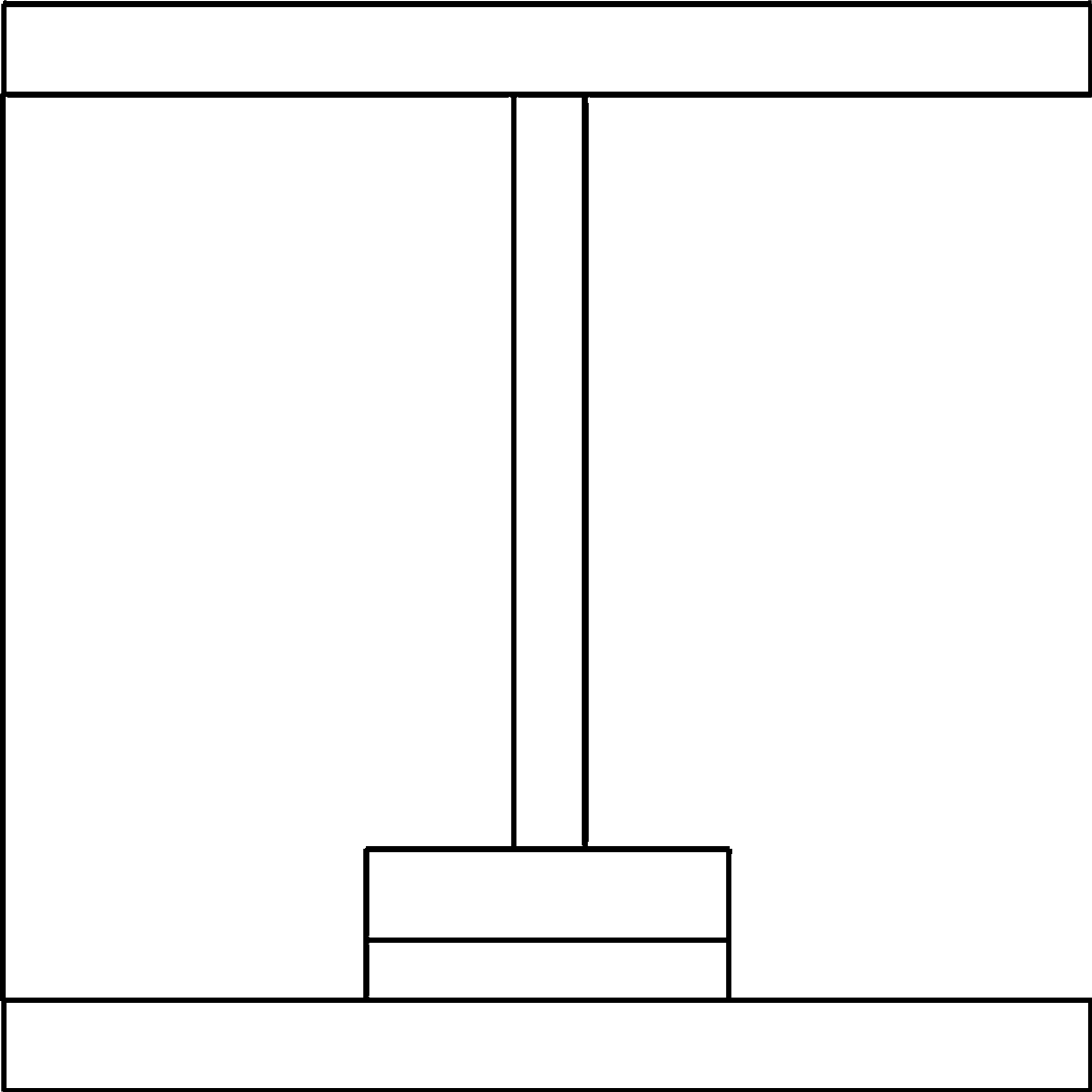


Fig. 4

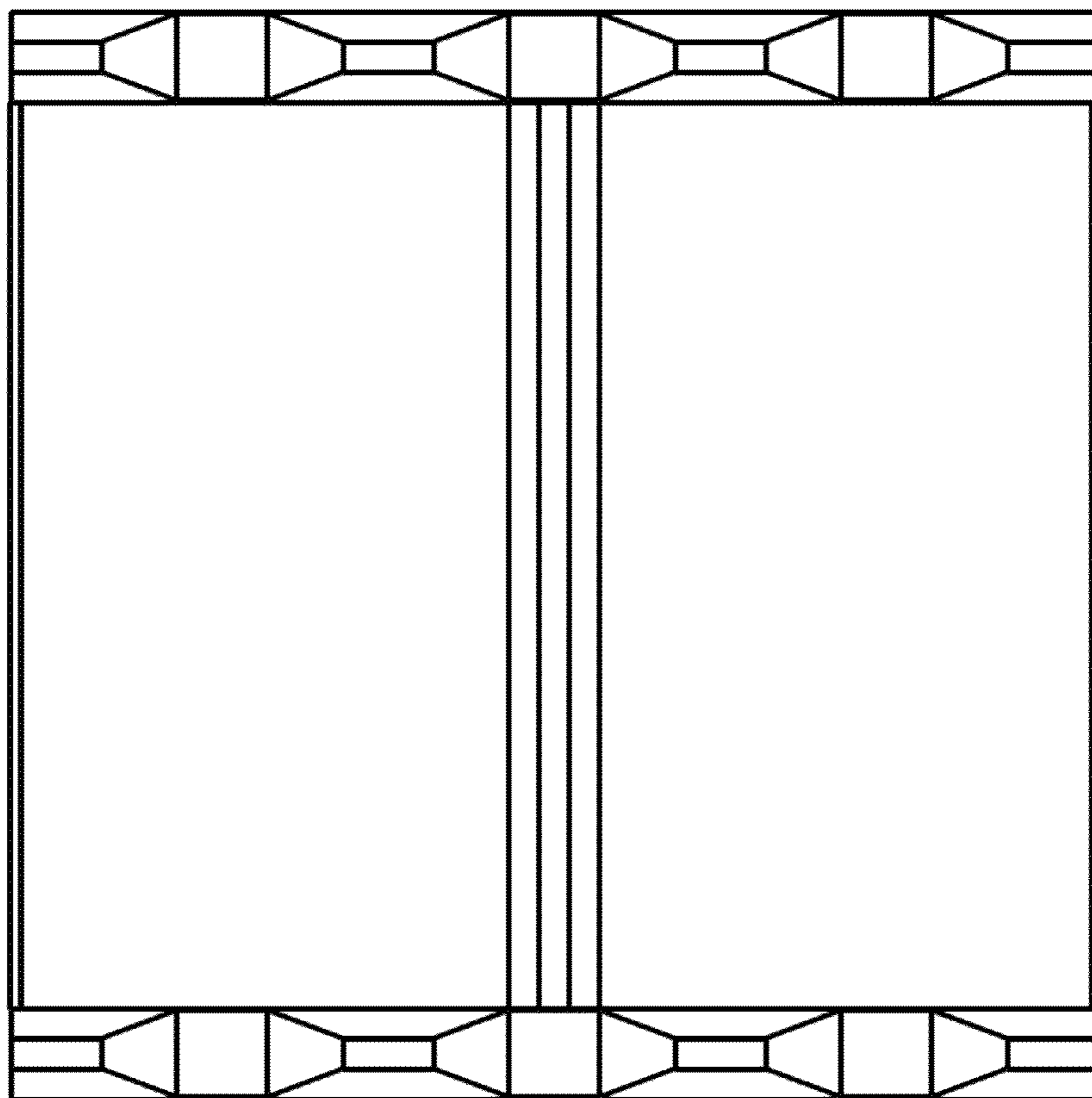


Fig. 5

FIG. 6

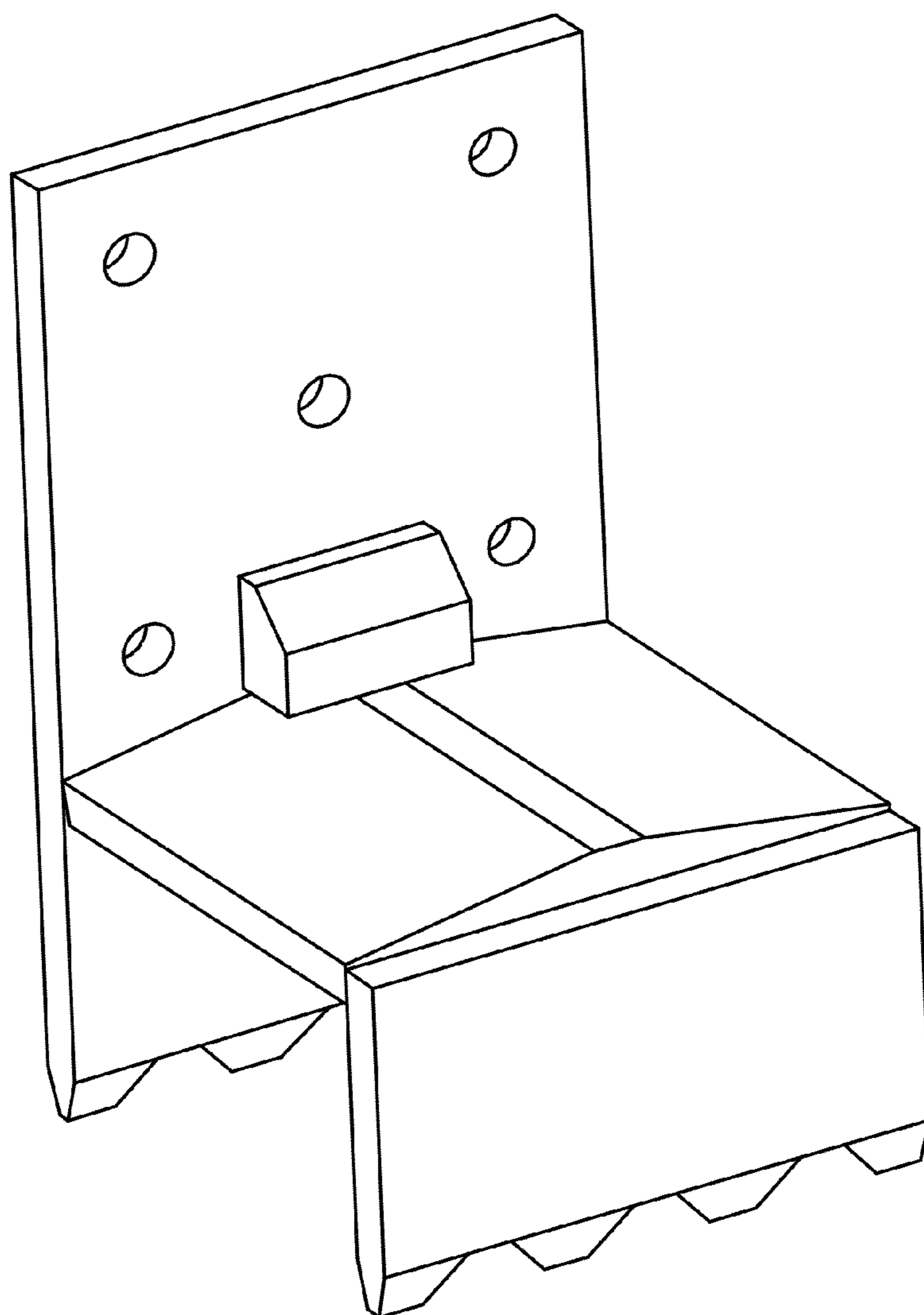


FIG. 7

