



US00D713424S

(12) **United States Design Patent**
Gonzales et al.

(10) **Patent No.:** **US D713,424 S**

(45) **Date of Patent:** **** Sep. 16, 2014**

(54) **AGRICULTURAL IMPLEMENT TANK**

(71) Applicant: **CNH America LLC**, New Holland, PA (US)

(72) Inventors: **Jesse Gonzales**, Falls Church, VA (US); **Scott A. Long**, Plainfield, IL (US); **Carl Hagele**, Chicago, IL (US)

(73) Assignee: **CNH America LLC**, New Holland, PA (US)

(**) Term: **14 Years**

(21) Appl. No.: **29/441,802**

(22) Filed: **Jan. 9, 2013**

(51) **LOC (10) Cl.** **15-03**

(52) **U.S. Cl.**
USPC **D15/28**

(58) **Field of Classification Search**
USPC D15/10, 13-17, 28, 21, 27; D12/218;
D23/200, 202, 213; 239/683, 687, 72,
239/289, 722; 414/725, 912; 37/442, 403;
111/118; 137/544; 220/587, 565,
220/567.1; 210/532.2; 123/563; 222/185.1,
222/608

See application file for complete search history.

(56) **References Cited**

U.S. PATENT DOCUMENTS

3,263,865	A *	8/1966	Kachnik	222/159
3,393,835	A *	7/1968	Kantor et al.	222/105
3,797,743	A *	3/1974	Kommers et al.	239/148
4,011,914	A *	3/1977	Elmer	172/126
D307,591	S *	5/1990	Ridgeon	D15/13
D327,942	S *	7/1992	Whitfield	D23/202
D333,476	S *	2/1993	Gingrich	D15/13
D349,944	S *	8/1994	Harris	D23/202
D359,712	S *	6/1995	Ziaylek et al.	D12/13
D364,173	S *	11/1995	Woods	D15/13

5,501,405	A *	3/1996	Doornek	239/683
5,676,117	A *	10/1997	Williams	123/527
5,755,382	A *	5/1998	Skotinkov	239/161
5,816,350	A *	10/1998	Akira et al.	180/68.1
D408,421	S *	4/1999	Beal, Jr.	D15/17
5,992,759	A *	11/1999	Patterson	239/167
D425,915	S *	5/2000	Truan et al.	D15/13
D427,206	S *	6/2000	Johnson et al.	D15/28
6,129,056	A *	10/2000	Skeel et al.	123/41.49
D433,425	S *	11/2000	Surrudge et al.	D15/17
D440,982	S *	4/2001	Knight et al.	D15/23
D445,477	S *	7/2001	Pomier	D23/207
6,285,938	B1 *	9/2001	Lang et al.	701/50
6,546,919	B2 *	4/2003	Callas et al.	123/563
6,564,857	B1 *	5/2003	Zobel et al.	165/41
6,588,189	B2 *	7/2003	Horejsi et al.	56/28

(Continued)

Primary Examiner — Mark Goodwin

(74) *Attorney, Agent, or Firm* — Rebecca Henkel

(57) **CLAIM**

The ornamental design for an agricultural implement tank, substantially as shown and described.

DESCRIPTION

FIG. 1 is a perspective view of an agricultural implement tank showing our new design;

FIG. 2 is a top view of the agricultural implement tank;

FIG. 3 is a right side elevation view of the agricultural implement tank;

FIG. 4 is a left side elevation view of the agricultural implement tank;

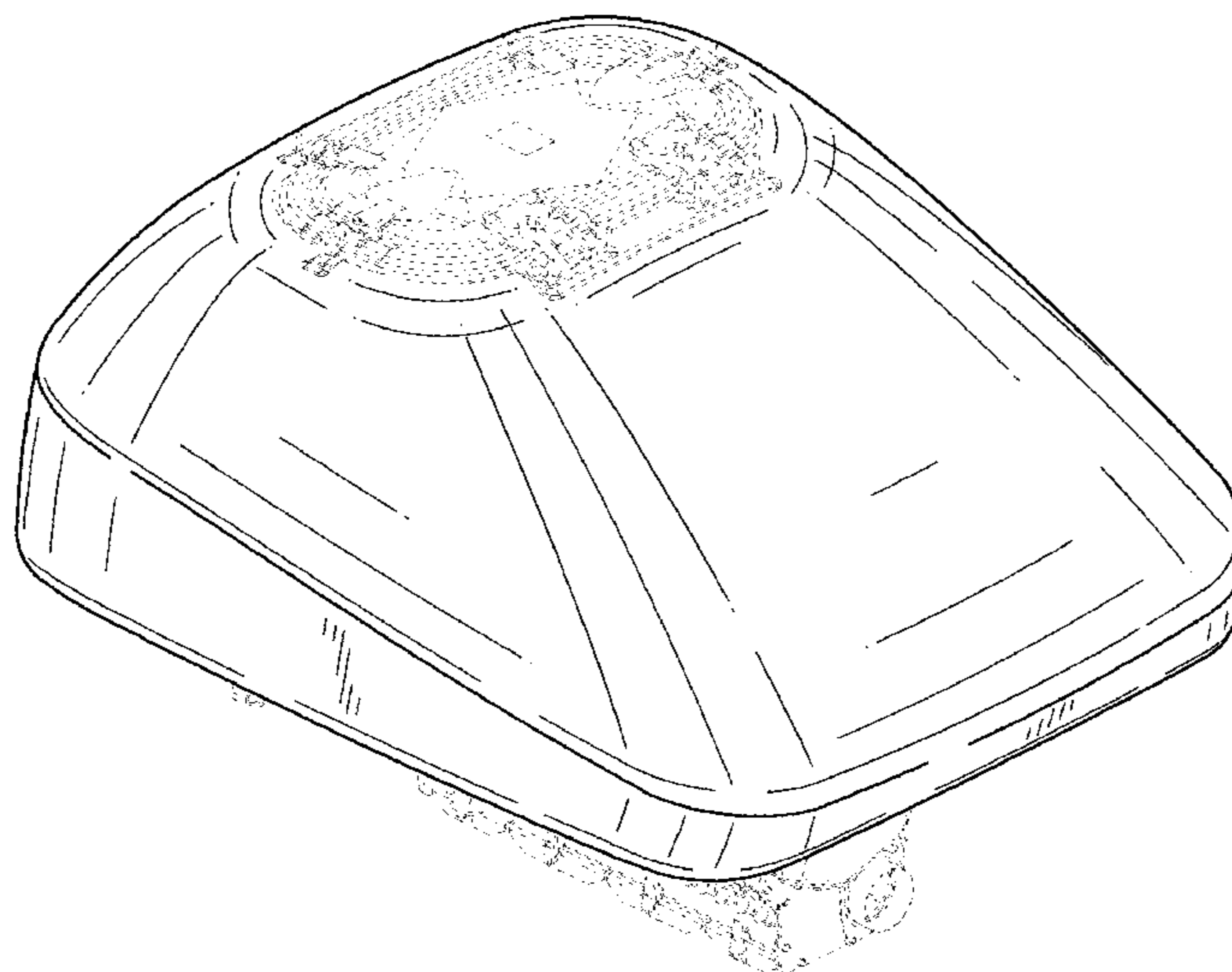
FIG. 5 is a back elevation view of the agricultural implement tank;

FIG. 6 is a front elevation view of the agricultural implement tank; and,

FIG. 7 is a bottom view of the agricultural implement tank.

The broken line showing in the figures is included for the purpose of illustrating environmental structure only and forms no part of the claimed design.

1 Claim, 7 Drawing Sheets



(56)

References Cited

U.S. PATENT DOCUMENTS

6,634,418 B2 * 10/2003 Wooldridge 165/44
 6,715,643 B1 * 4/2004 Kelly 222/82
 D499,113 S * 11/2004 Murayama et al. D15/7
 6,817,404 B2 * 11/2004 Frana-Guthrie et al. 165/43
 D500,055 S * 12/2004 Bieker D15/28
 6,880,656 B2 * 4/2005 Pfusterschmid et al. 180/68.4
 D523,447 S * 6/2006 Dixon D15/13
 D527,789 S * 9/2006 Thompson et al. D23/202
 D543,995 S * 6/2007 Tanaka et al. D15/5
 D590,043 S * 4/2009 Campbell D23/202

D604,686 S * 11/2009 Yan et al. D12/218
 D612,448 S * 3/2010 Richardson D23/202
 D624,864 S * 10/2010 Makino D12/218
 D625,388 S * 10/2010 Cook D23/202
 D647,168 S * 10/2011 Lerner et al. D23/202
 D647,169 S * 10/2011 Leonard et al. D23/202
 D647,170 S * 10/2011 Hayslip et al. D23/202
 D655,372 S * 3/2012 Kimball et al. D23/202
 D656,520 S * 3/2012 Ortlund et al. D15/17
 2002/0030119 A1 * 3/2002 Proharam 239/168
 2011/0147497 A1 * 6/2011 Hiddema 239/722
 2012/0032005 A1 * 2/2012 McMahan et al. 239/722

* cited by examiner

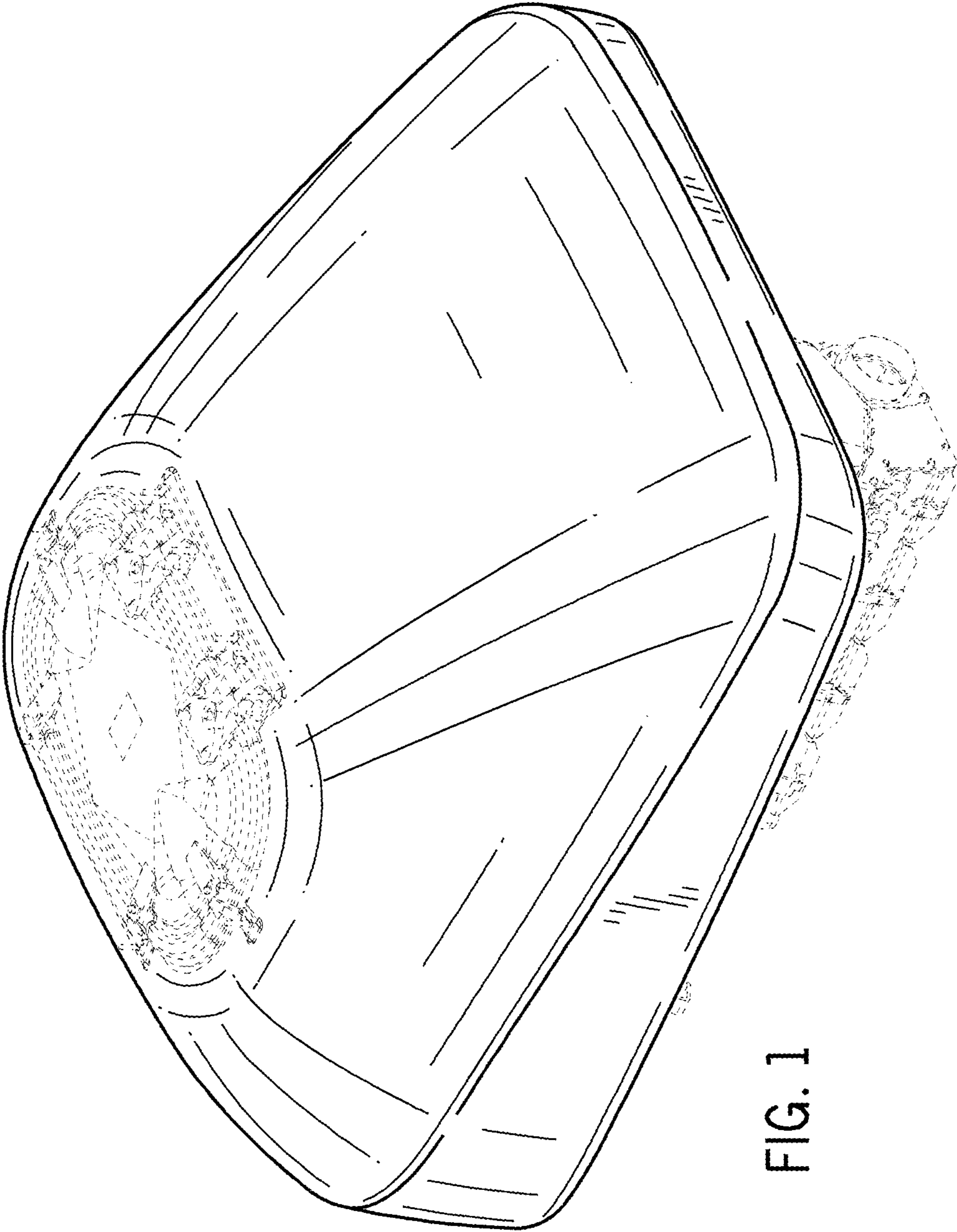


FIG. 1

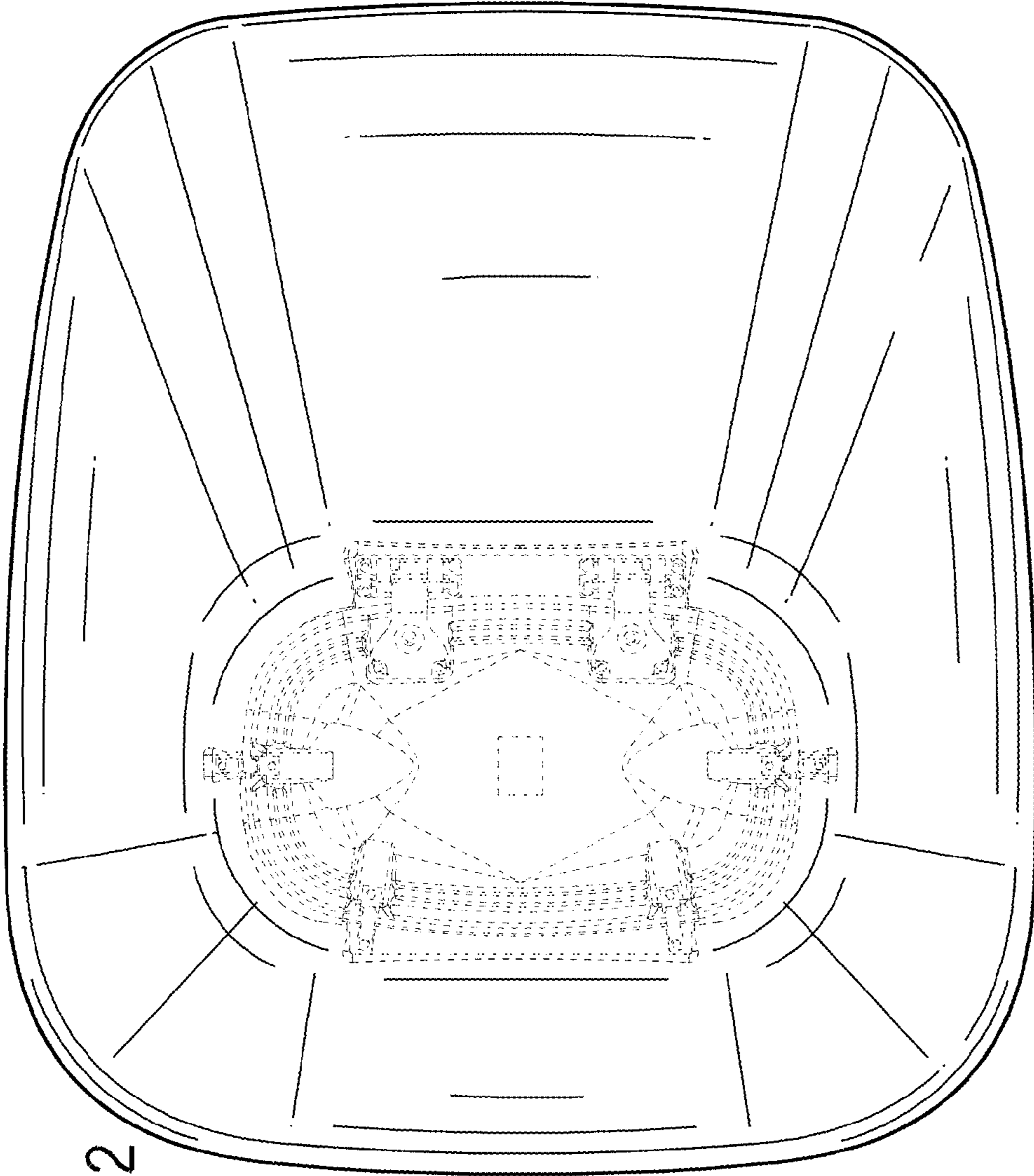


FIG. 2

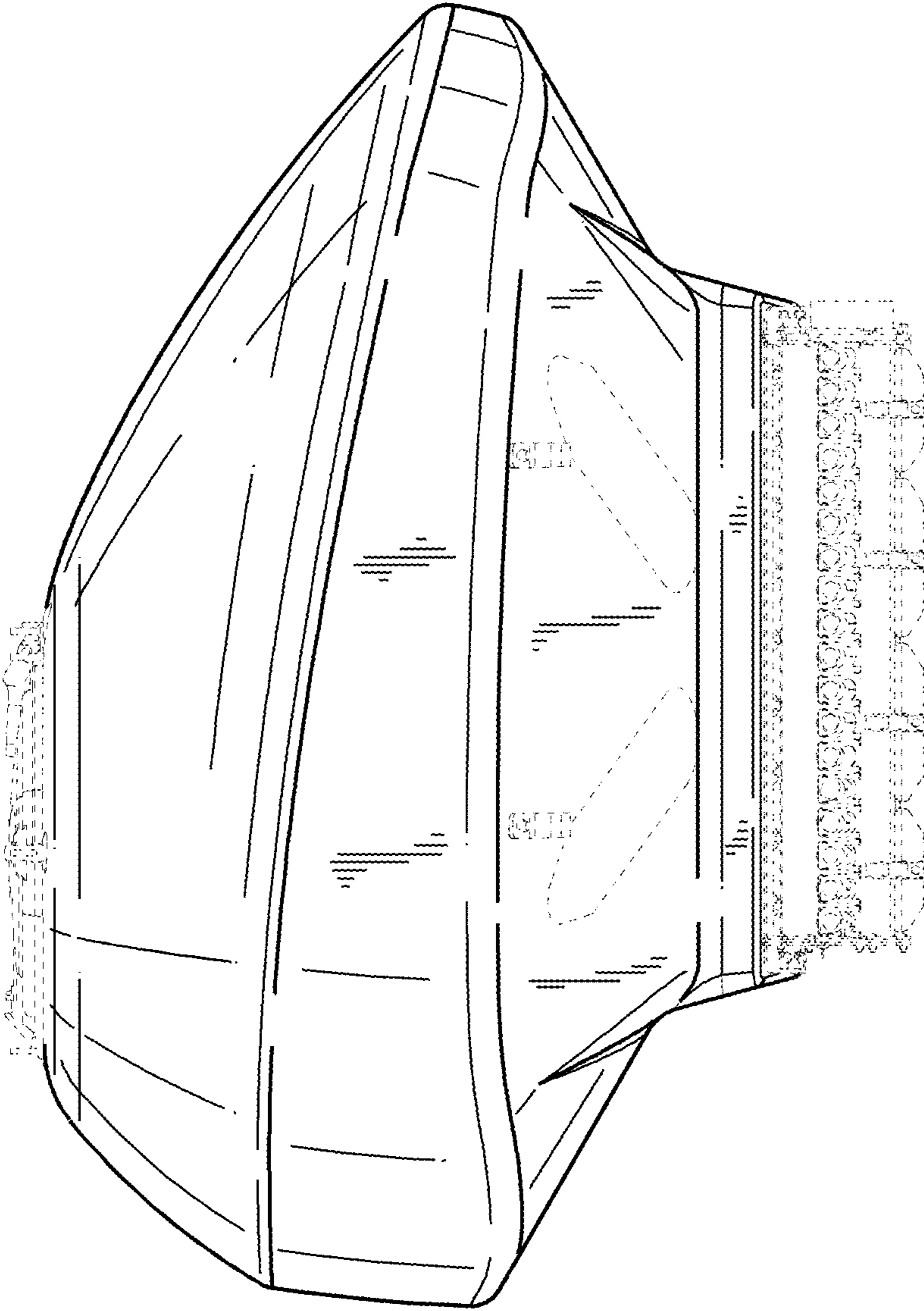


FIG. 3

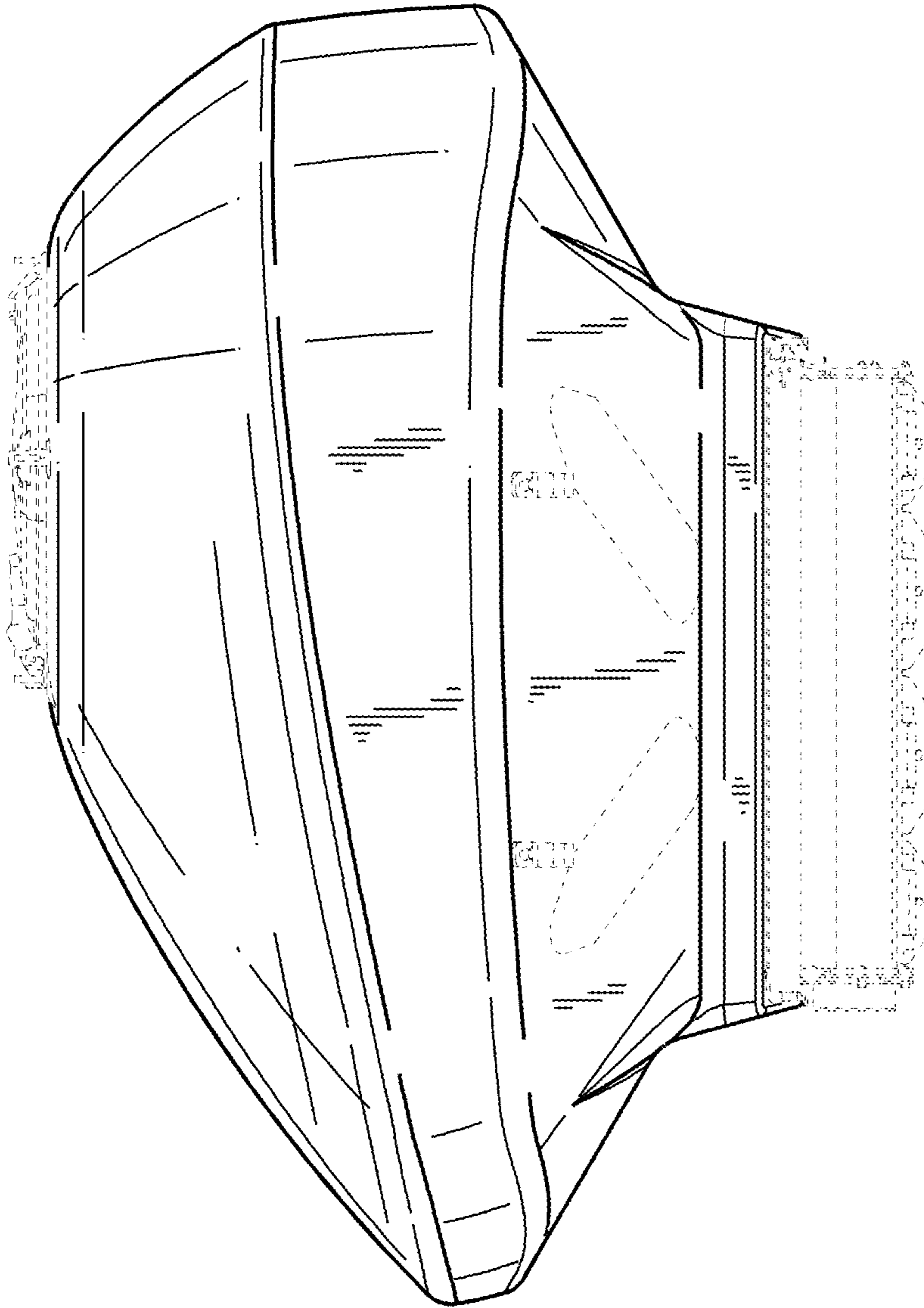


FIG. 4

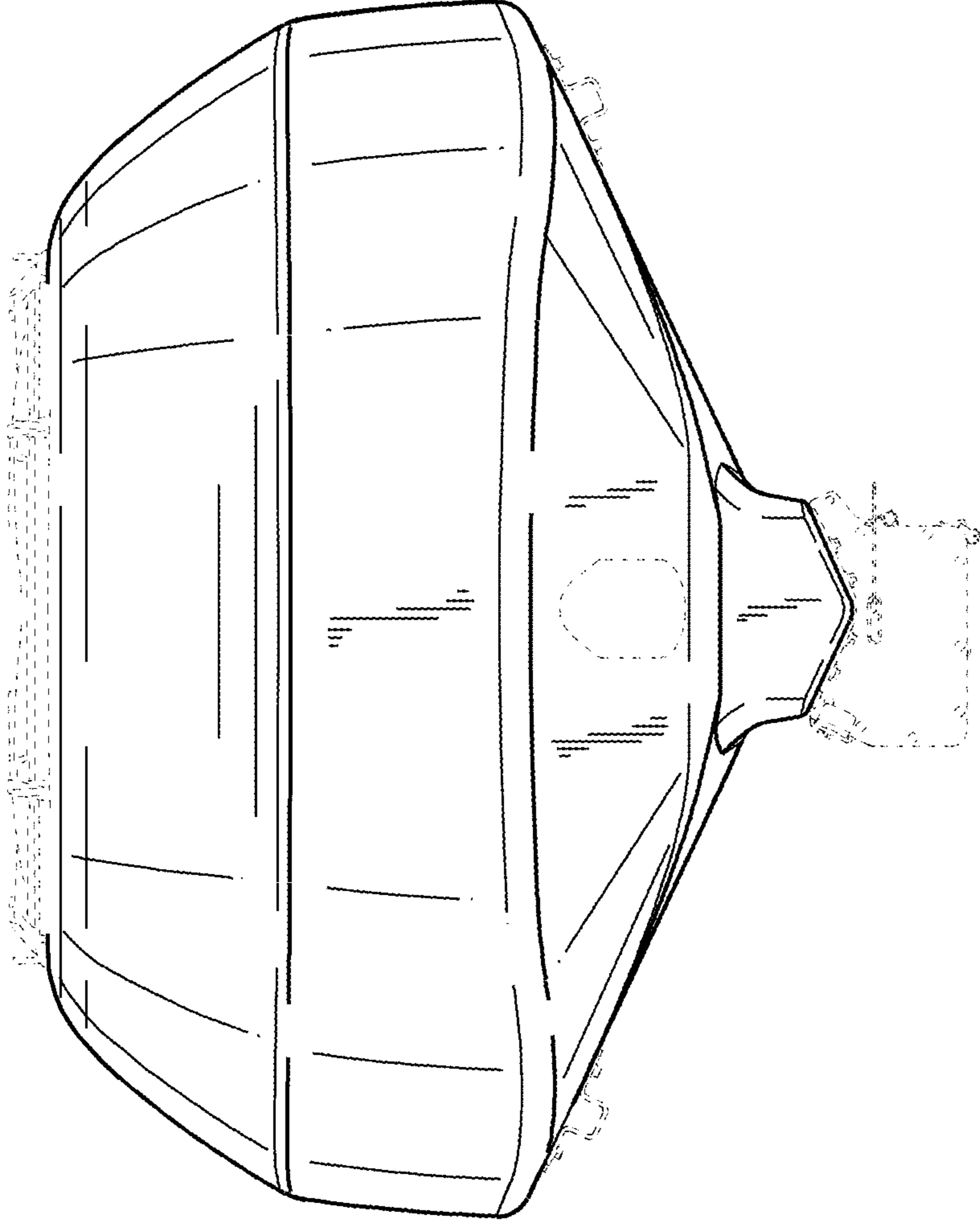


FIG. 5

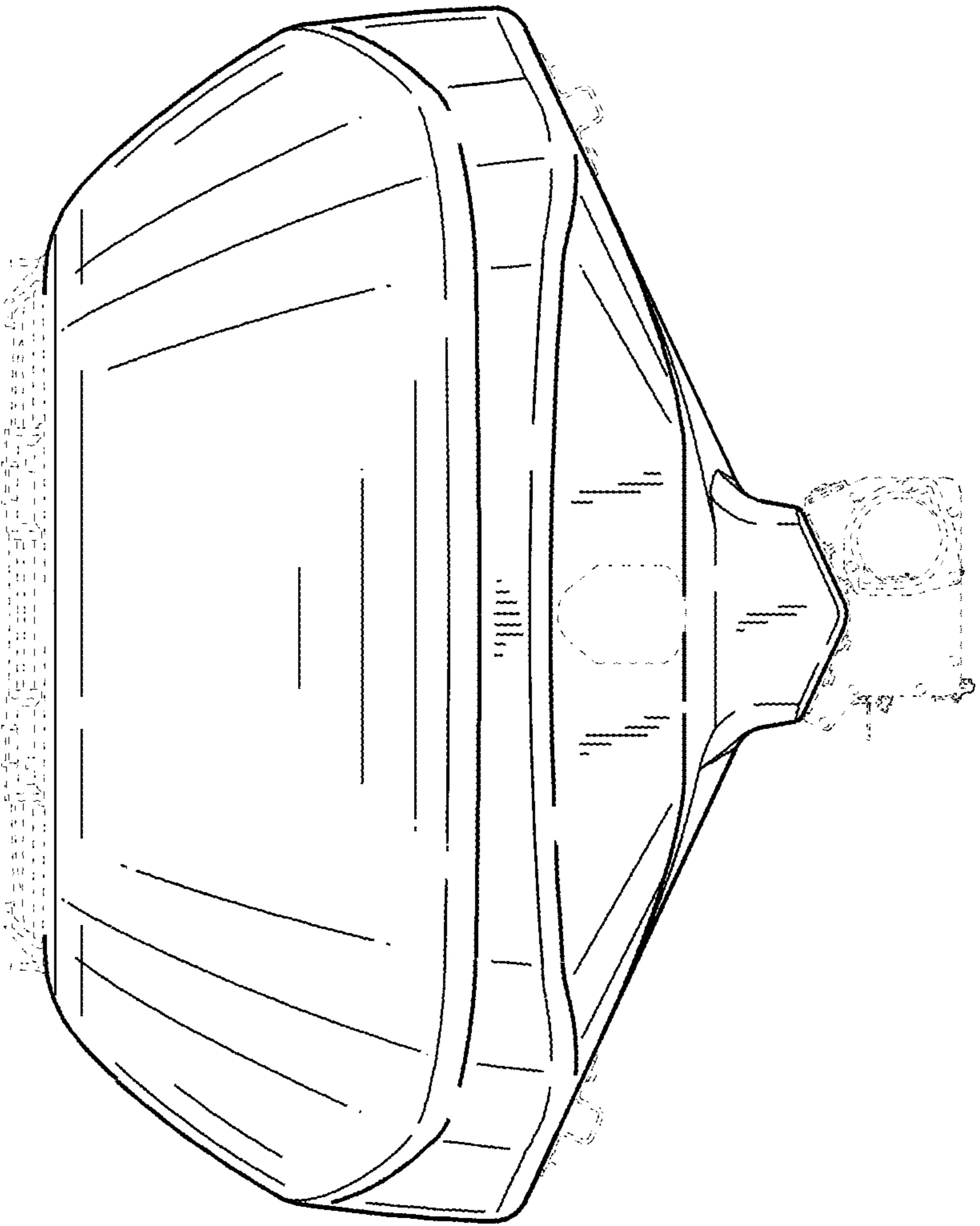


FIG. 6

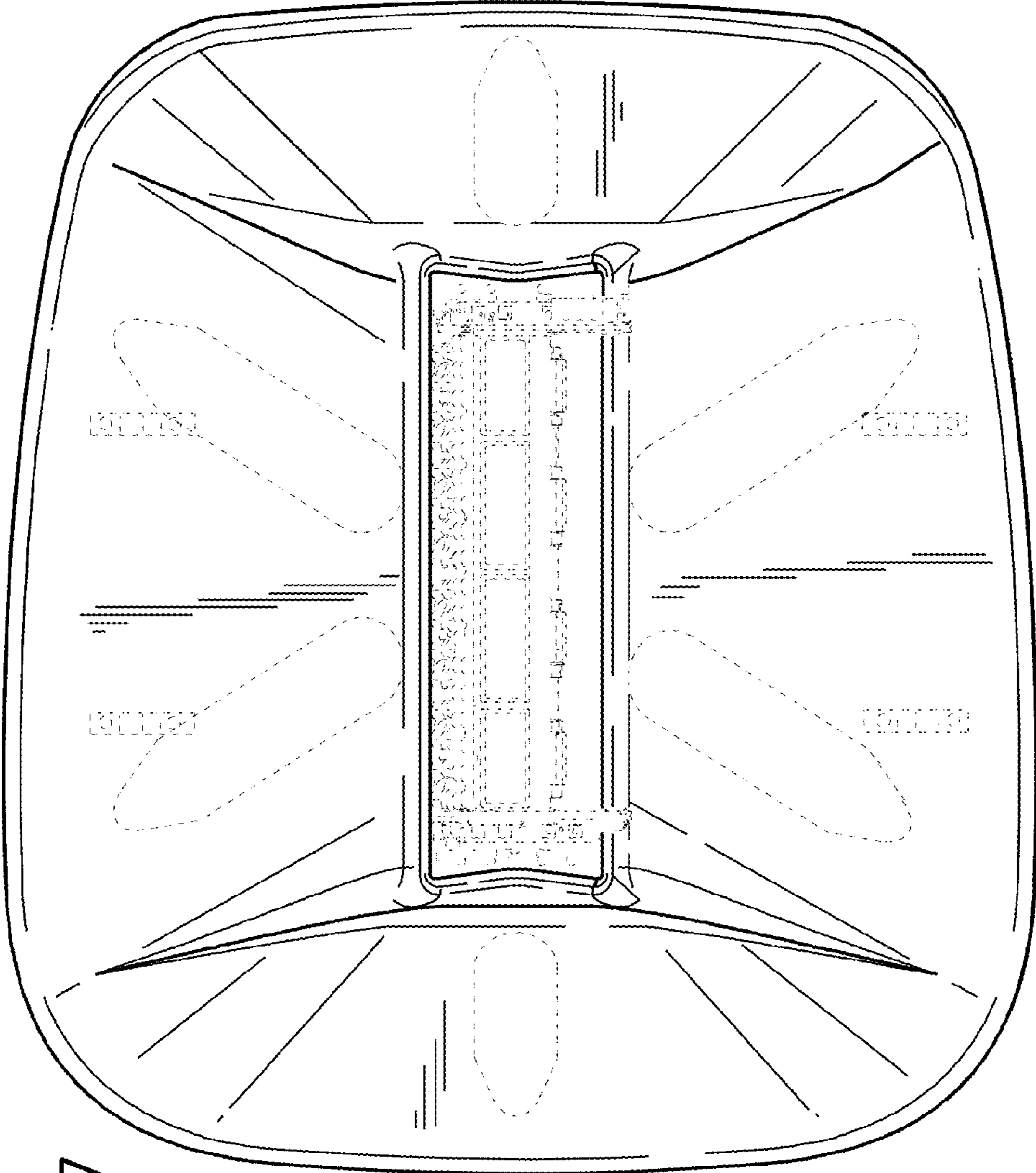


FIG. 7