



US00D713423S

(12) **United States Design Patent**  
**Kimball**

(10) **Patent No.:** **US D713,423 S**

(45) **Date of Patent:** **\*\* Sep. 16, 2014**

(54) **THROTTLE BODY ADAPTER FOR A VEHICLE**

(71) Applicant: **Aaron Kimball**, Walstonburg, NC (US)

(72) Inventor: **Aaron Kimball**, Walstonburg, NC (US)

(\*\*) Term: **14 Years**

(21) Appl. No.: **29/459,002**

(22) Filed: **Jun. 25, 2013**

(51) **LOC (10) Cl.** ..... **15-01**

(52) **U.S. Cl.**  
USPC ..... **D15/5**

(58) **Field of Classification Search**

CPC ..... F02D 9/107; F02D 9/08; F02D 19/024;  
F02D 19/027; F02D 2041/1416; F02D  
2041/1419; F02D 2200/0402; F02B 2075/125;  
F02B 2275/20; F02B 77/13; F02B 1/04;  
F02B 3/06; F02B 77/04; F02B 77/083;  
F02B 77/084; F02B 77/085  
USPC ..... D15/1-6; 123/590, 306  
See application file for complete search history.

(56) **References Cited**

U.S. PATENT DOCUMENTS

6,186,127	B1 *	2/2001	Everingham	123/568.12
6,338,335	B1 *	1/2002	Patterson et al.	123/590
6,886,806	B2 *	5/2005	Borasch et al.	251/305
7,690,349	B2 *	4/2010	Bolanos	123/306
2003/0089870	A1 *	5/2003	Borasch et al.	251/129.11
2005/0188969	A1 *	9/2005	Wheeler, III	123/590
2009/0120741	A1 *	5/2009	Bassett et al.	188/84
2012/0067663	A1 *	3/2012	Leicht, Sr.	180/352

\* cited by examiner

*Primary Examiner* — John Windmuller

*Assistant Examiner* — Ania Aman

(74) *Attorney, Agent, or Firm* — Maier & Maier, PLLC

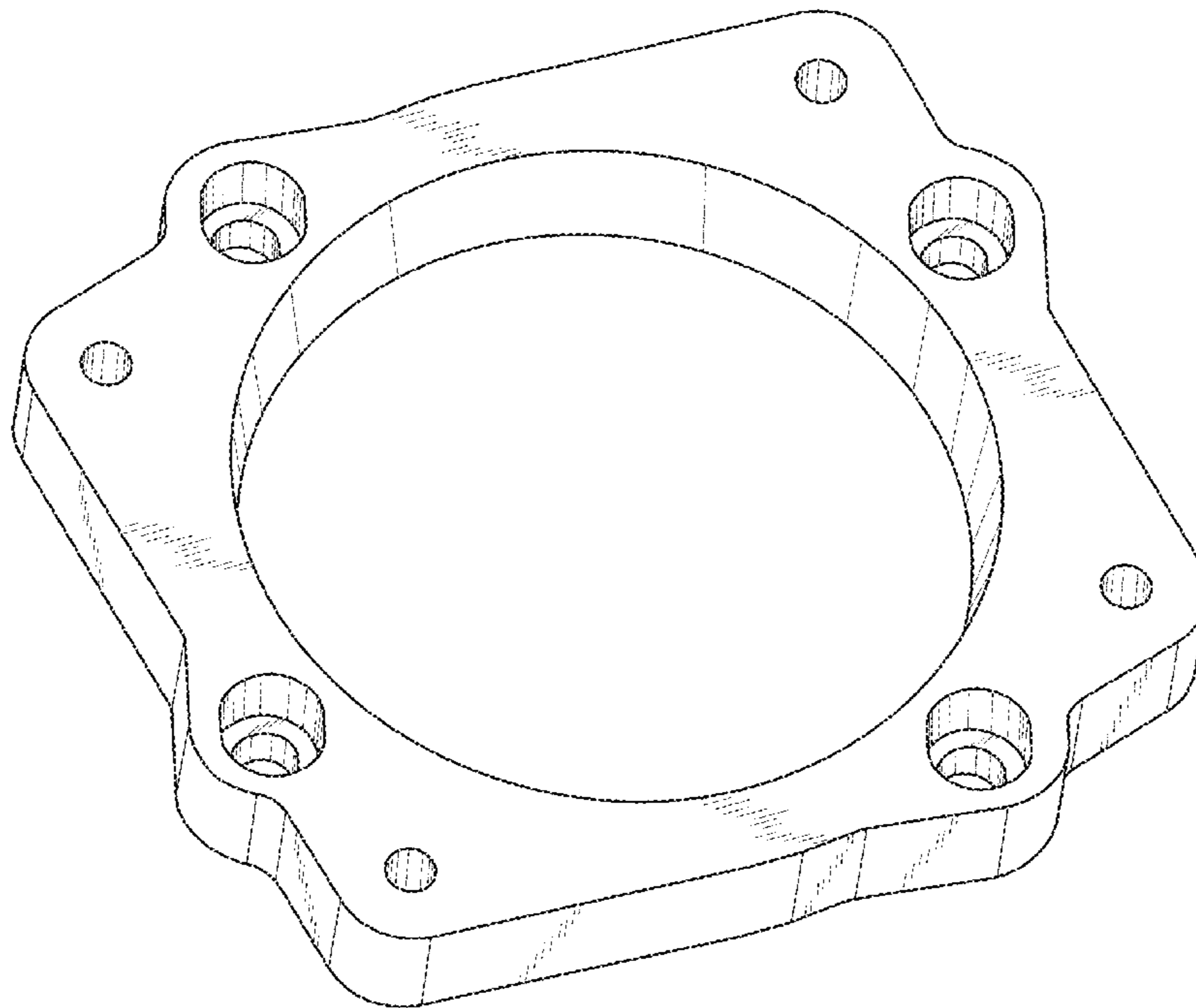
(57) **CLAIM**

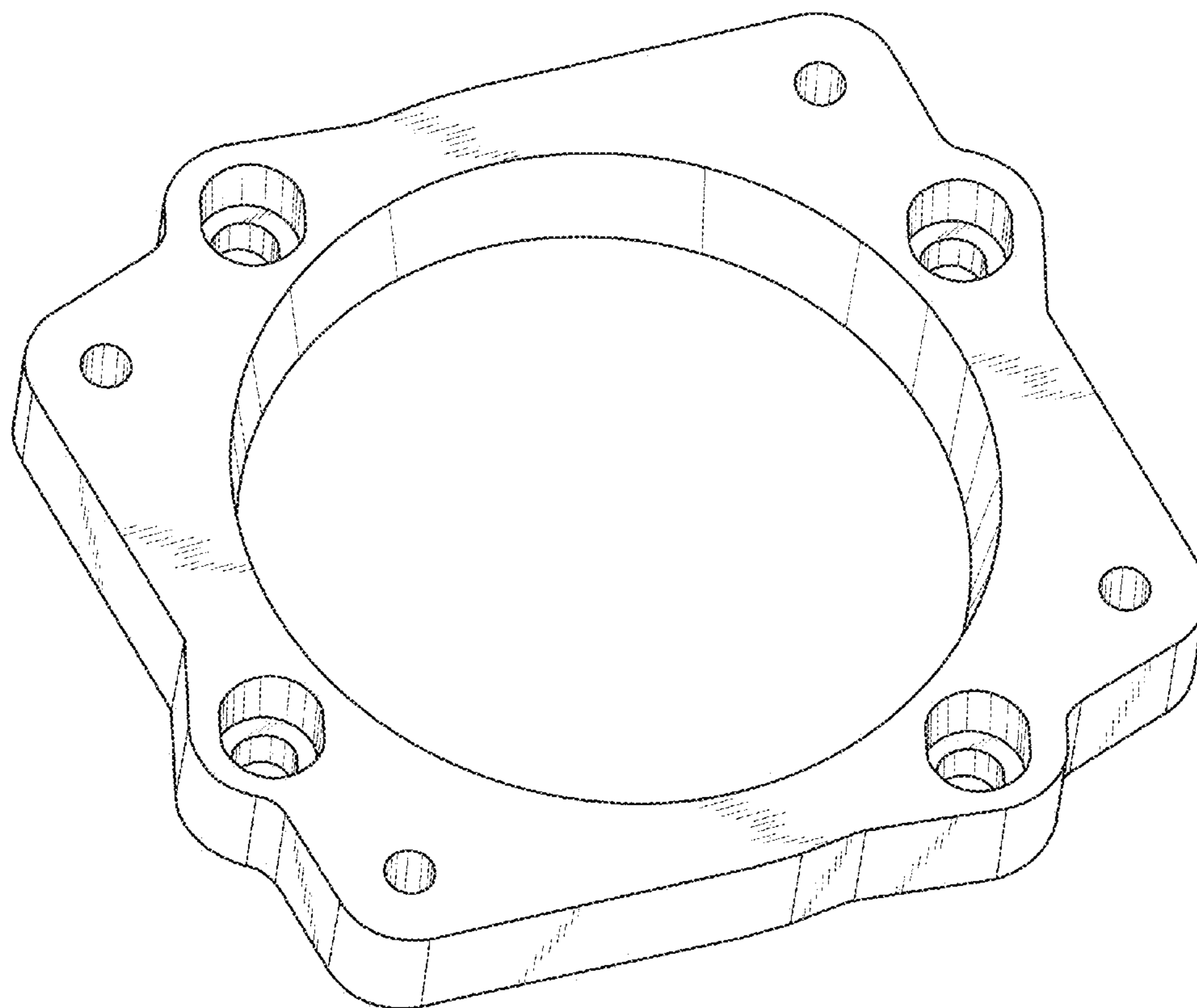
The ornamental design for a throttle body adapter for a vehicle, as shown and described.

**DESCRIPTION**

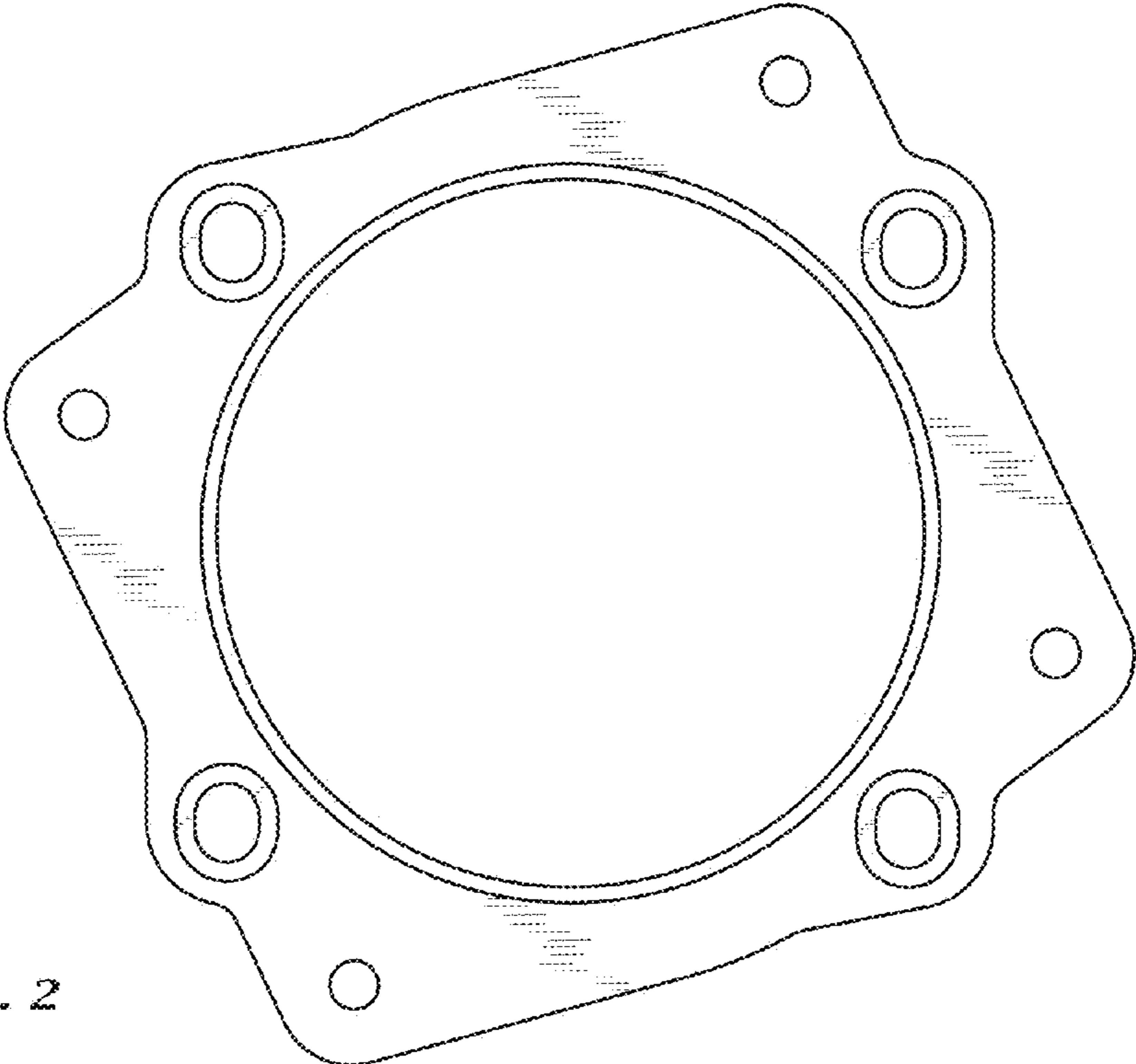
FIG. 1 is an isometric view of a throttle body adapter for a vehicle, showing my design;  
FIG. 2 is a front view thereof;  
FIG. 3 is a rear view thereof;  
FIG. 4 is a top view thereof, the bottom view being a mirror image of the top view; and,  
FIG. 5 is a right side view thereof, the left side view being a mirror image of the right side view.

**1 Claim, 3 Drawing Sheets**

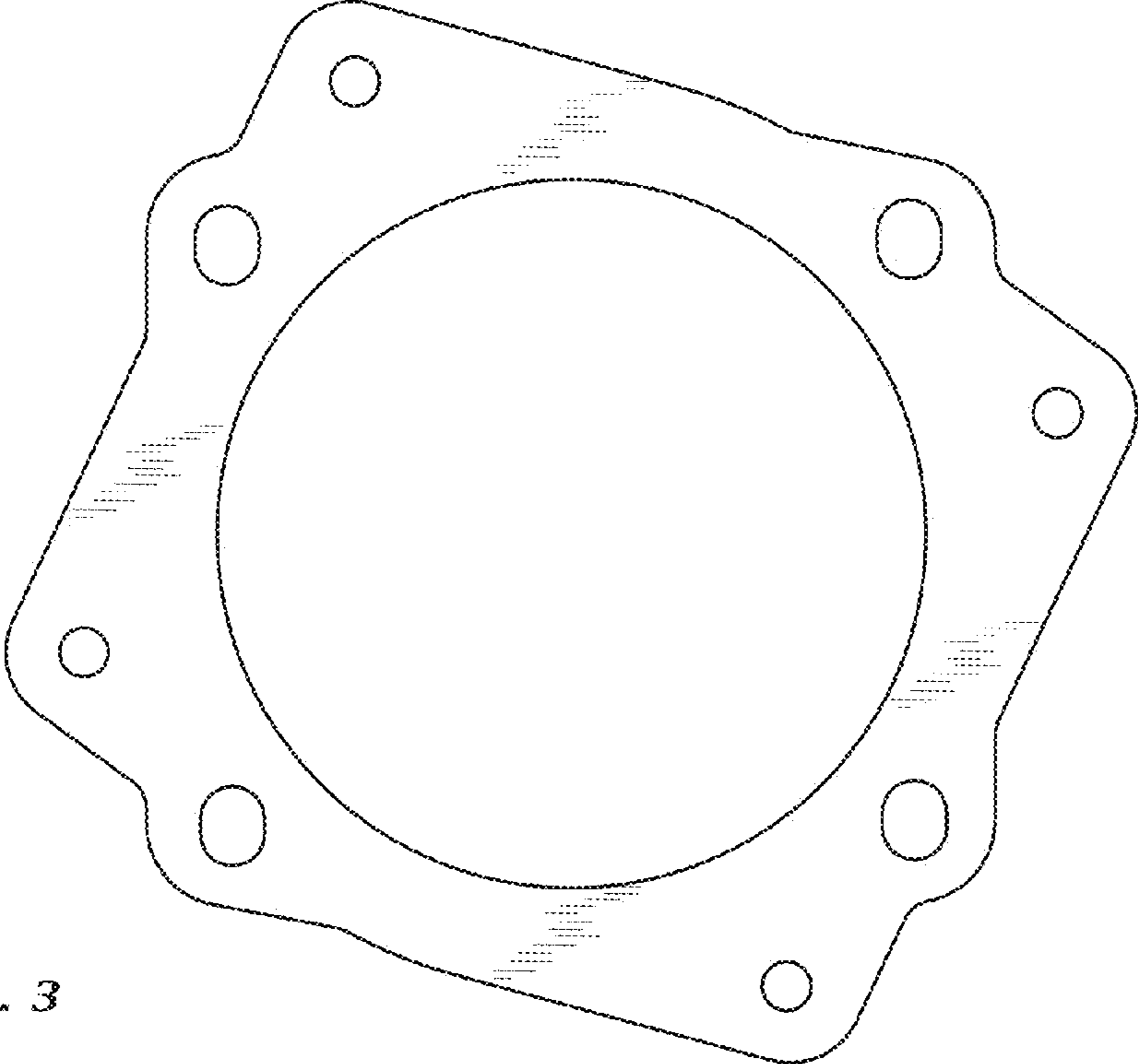




*Fig. 1*



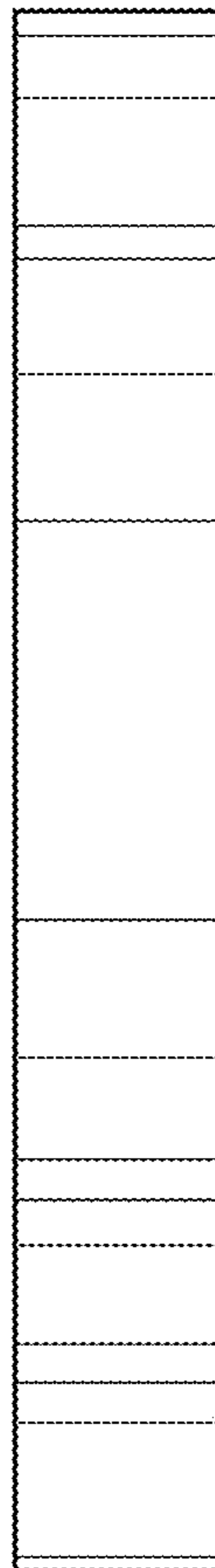
*Fig. 2*



*Fig. 3*



*Fig. 4*



*Fig. 5*