



US00D713422S

(12) **United States Design Patent**  
**Muscas**

(10) **Patent No.:** **US D713,422 S**

(45) **Date of Patent:** **\*\* Sep. 16, 2014**

(54) **PISTON**

(75) Inventor: **Florin Muscas**, Novi, MI (US)

(73) Assignee: **Federal-Mogul Corporation**,  
Southfield, MI (US)

(\*\*) Term: **14 Years**

(21) Appl. No.: **29/392,404**

(22) Filed: **May 20, 2011**

(51) **LOC (10) Cl.** ..... **15-01**

(52) **U.S. Cl.**  
USPC ..... **D15/5**

(58) **Field of Classification Search**  
USPC ..... D15/1-5, 7; 123/193.6, 47 A, 47 R,  
123/41.35, 661, 659

See application file for complete search history.

(56) **References Cited**

**U.S. PATENT DOCUMENTS**

2,046,789	A *	7/1936	Norton	.....	92/233
2,795,468	A *	6/1957	Venner et al.	.....	92/229
D287,599	S *	1/1987	Murray	.....	D15/5
D322,969	S *	1/1992	Ballheimer et al.	.....	D15/5
5,172,626	A *	12/1992	Hart	.....	92/177
5,299,490	A *	4/1994	Harrer et al.	.....	92/208
6,526,871	B1 *	3/2003	Zhu et al.	.....	92/231

2008/0127818	A1 *	6/2008	Dye	.....	92/186
2011/0100317	A1 *	5/2011	He et al.	.....	123/193.6
2011/0114054	A1 *	5/2011	Miller et al.	.....	123/193.6
2012/0160206	A1 *	6/2012	Takahashi et al.	.....	123/193.6
2012/0180749	A1 *	7/2012	Kopchick et al.	.....	123/193.6
2012/0227701	A1 *	9/2012	Iwata et al.	.....	123/193.6
2012/0260882	A1 *	10/2012	Martins et al.	.....	123/193.6
2013/0008407	A1 *	1/2013	Issler et al.	.....	123/193.6
2013/0118438	A1 *	5/2013	Lineton	.....	123/193.6
2013/0233270	A1 *	9/2013	Brandt et al.	.....	123/193.6

\* cited by examiner

*Primary Examiner* — T. Chase Nelson

*Assistant Examiner* — Ania Aman

(74) *Attorney, Agent, or Firm* — Robert L. Stearns;  
Dickinson Wright PLLC

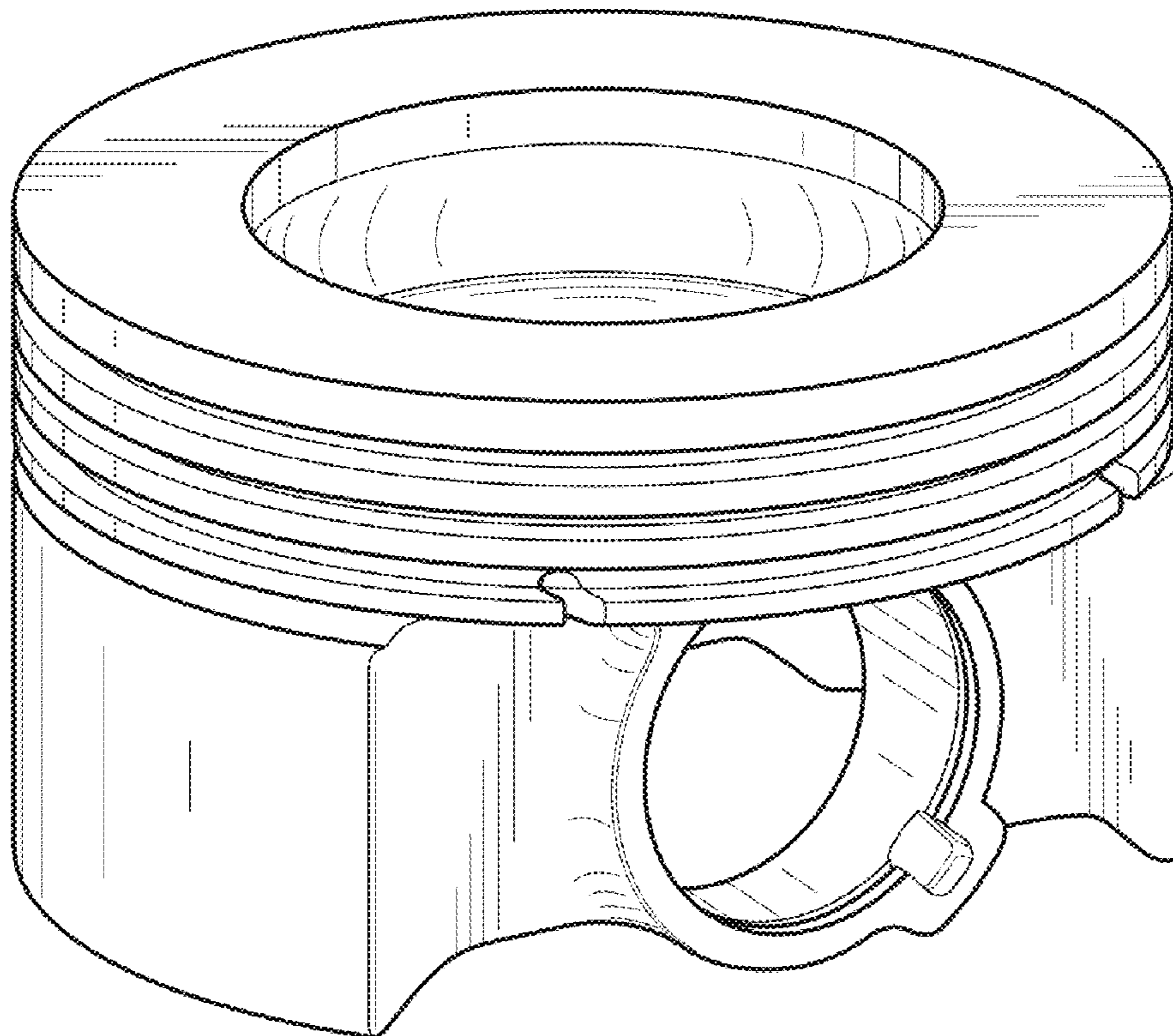
(57) **CLAIM**

I claim the ornamental design for a piston, as shown and described.

**DESCRIPTION**

FIG. 1 is a perspective view of the piston;  
FIG. 2 is a front view of the piston looking along a pin bore axis;  
FIG. 3 is side view of the piston looking transverse to the pin bore axis;  
FIG. 4 is a top view of the piston; and,  
FIG. 5 is a bottom view of the piston.

**1 Claim, 2 Drawing Sheets**



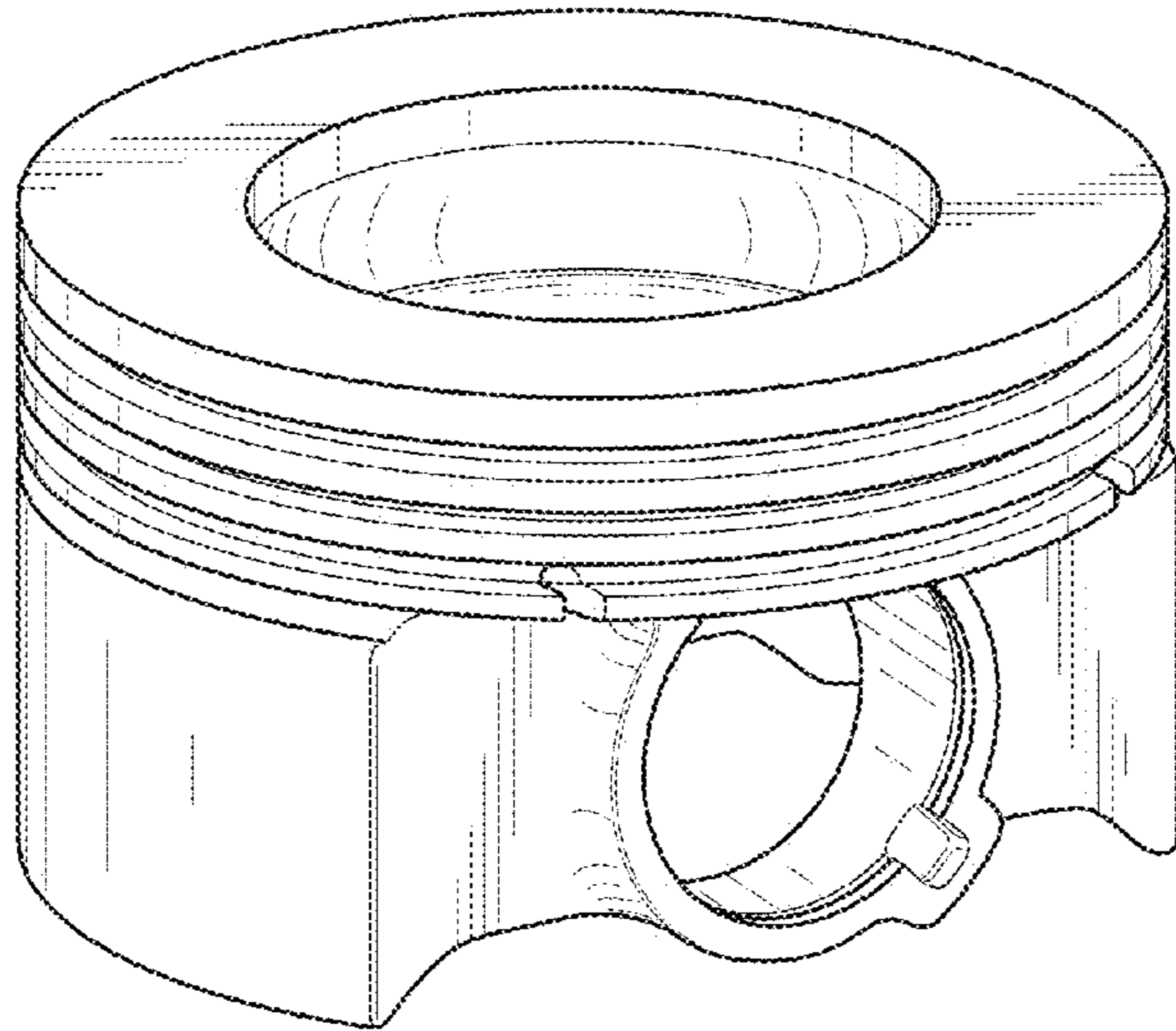


FIG. 1

FIG. 2

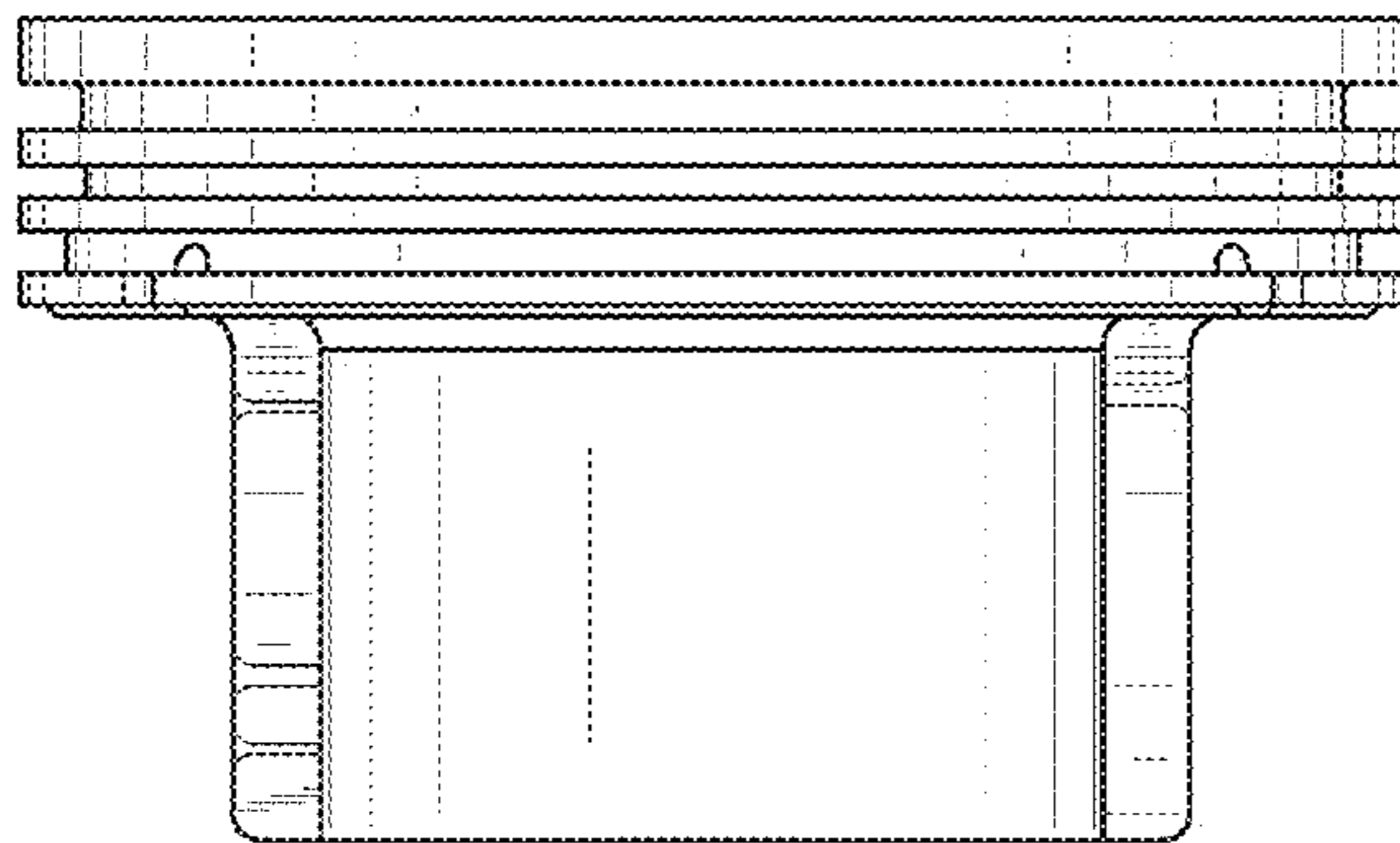
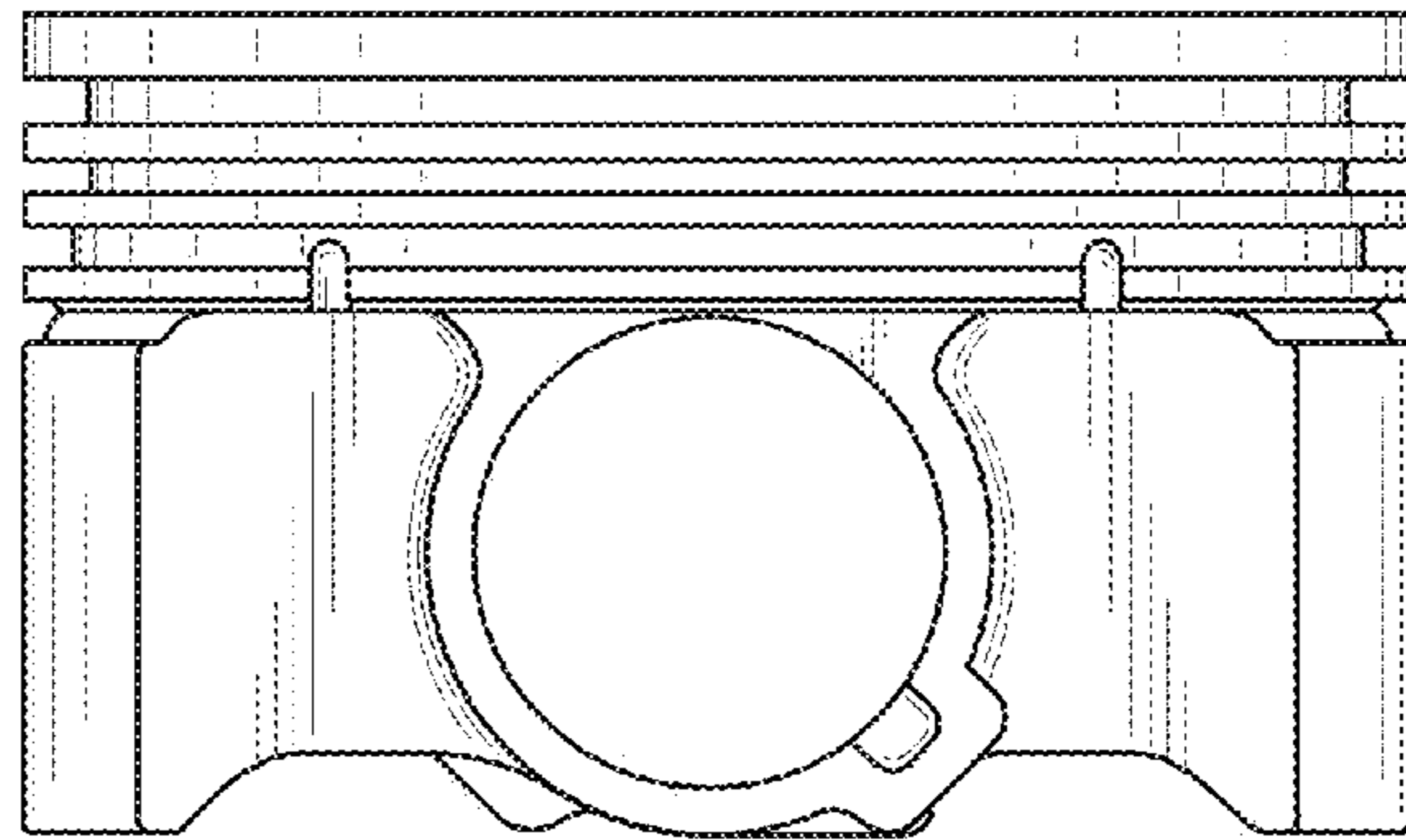


FIG. 3

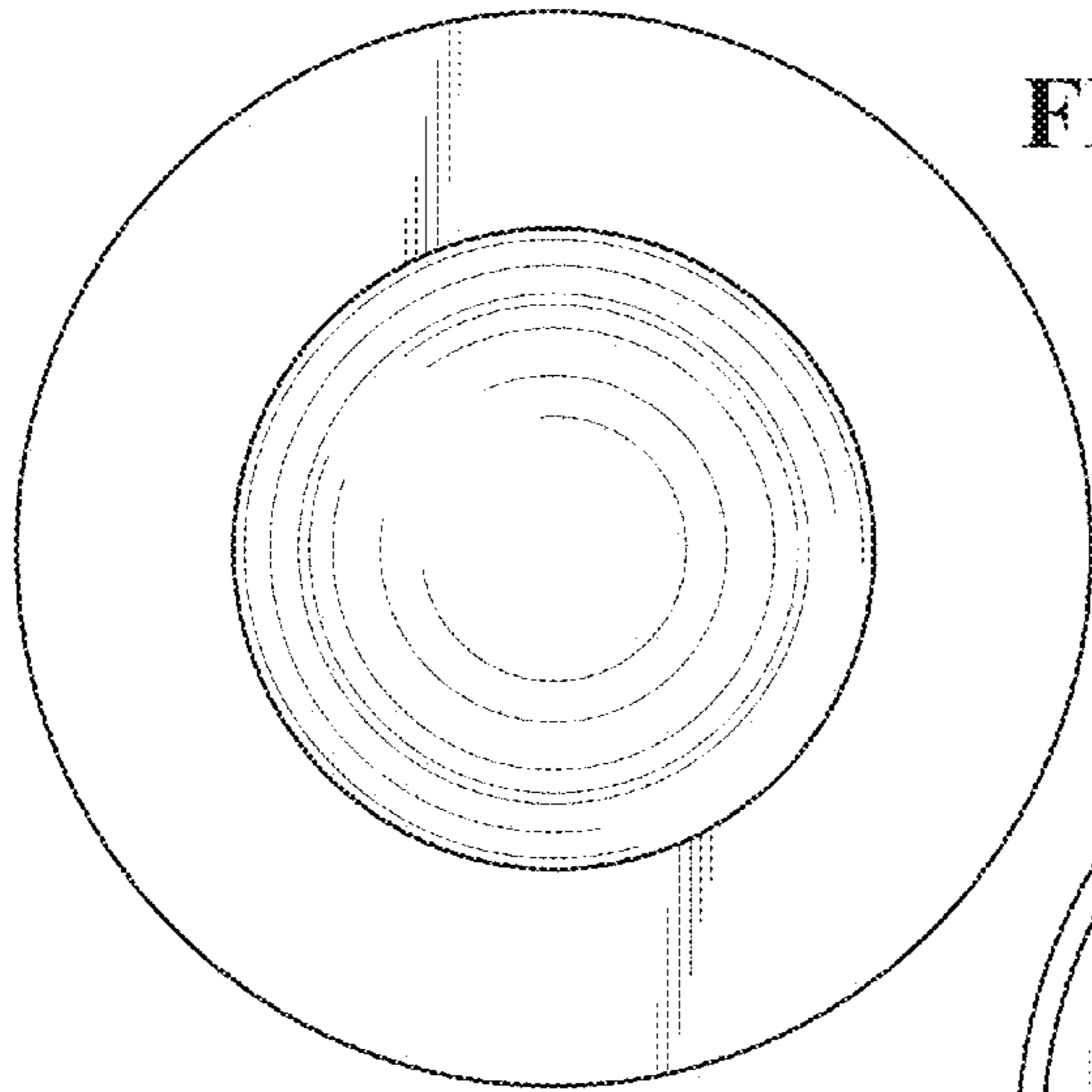


FIG. 4

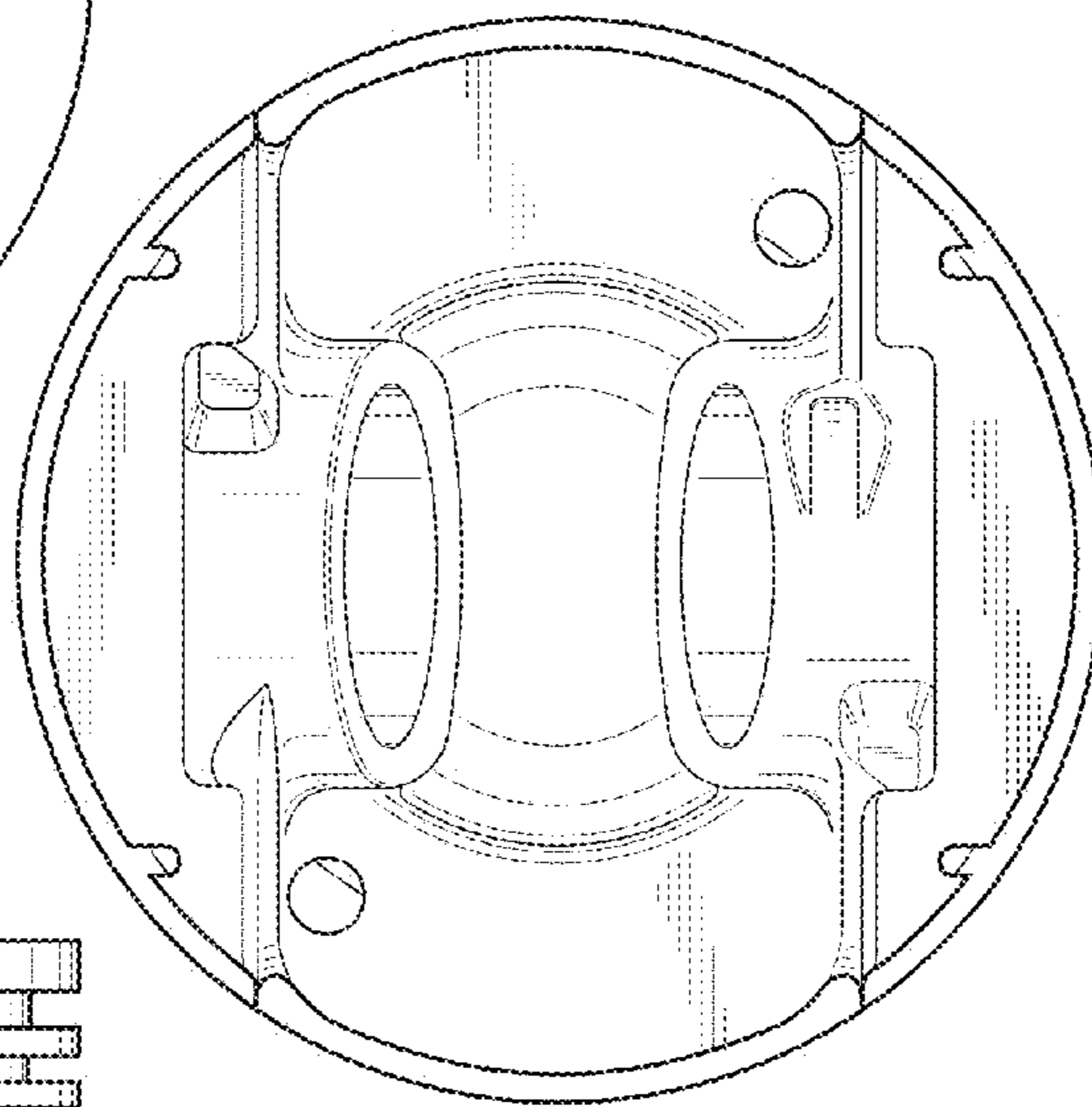


FIG. 5

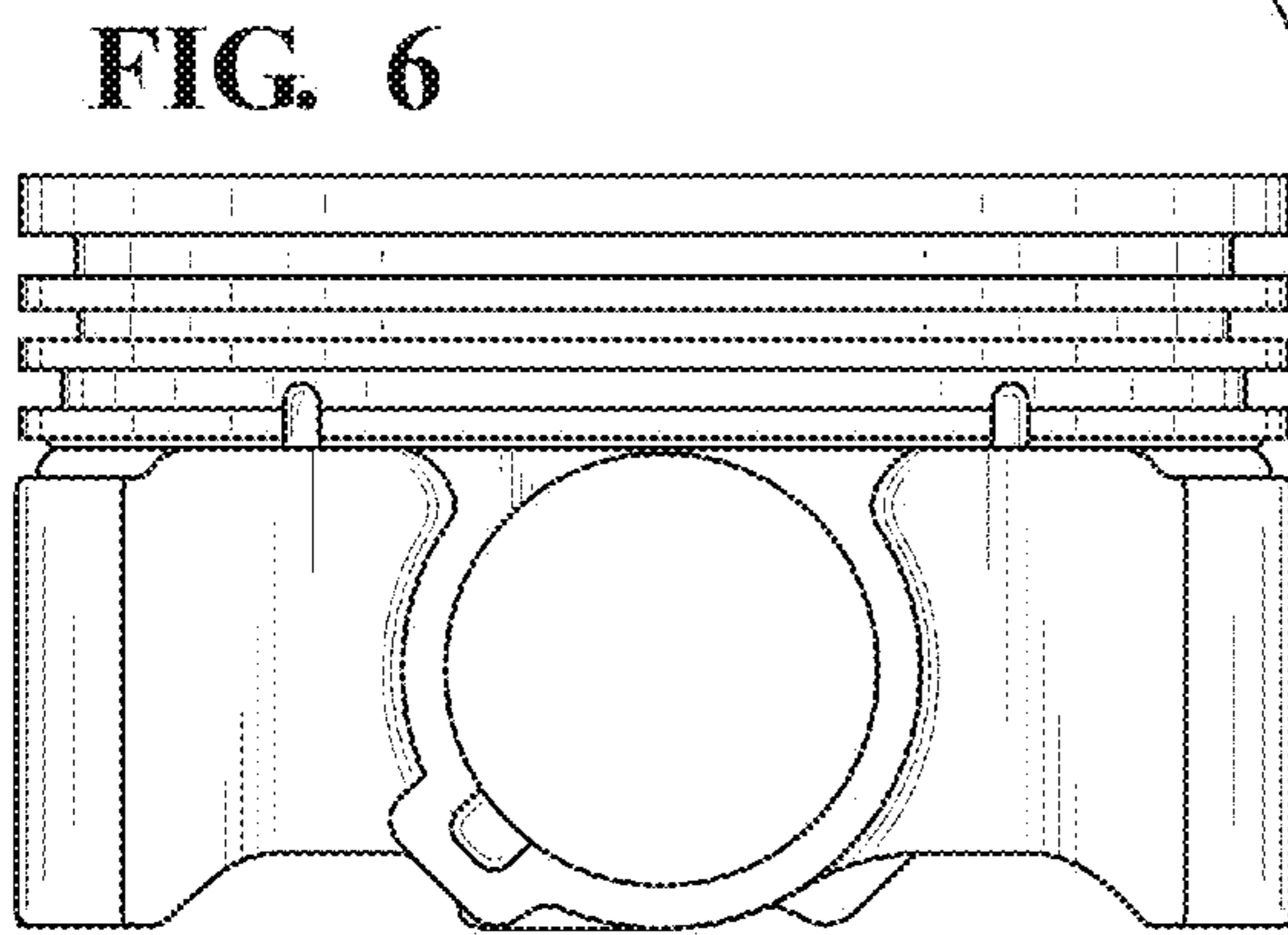


FIG. 6

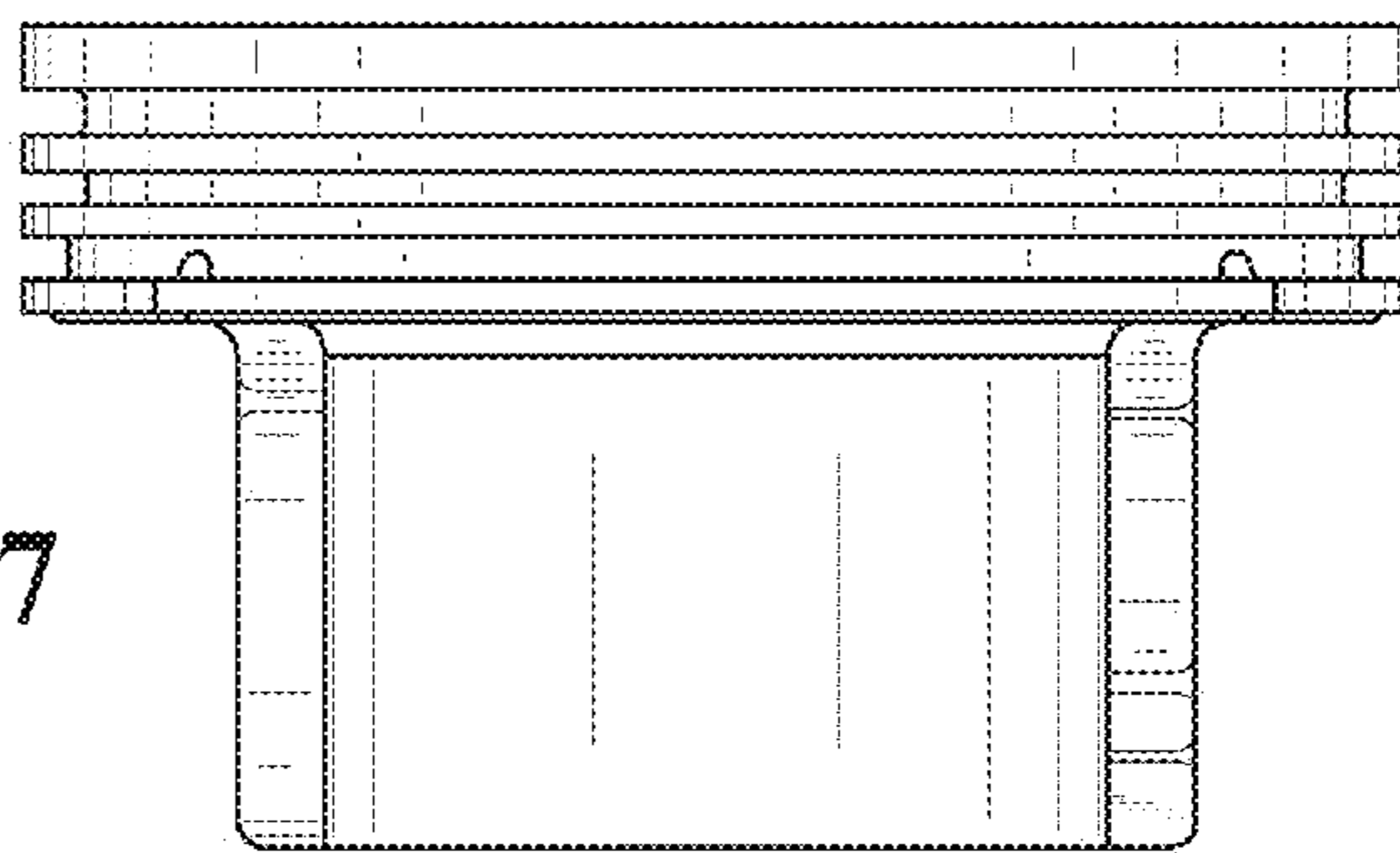


FIG. 7