



US00D713415S

(12) **United States Design Patent**
Lee et al.

(10) **Patent No.:** **US D713,415 S**
(45) **Date of Patent:** **** Sep. 16, 2014**

(54) **DISPLAY OF MOBILE PHONE WITH
TRANSITIONAL GRAPHICAL USER
INTERFACE**

D501,210 S * 1/2005 Cook D14/486
D540,340 S * 4/2007 Cummins D14/486
D544,492 S * 6/2007 Rimas-Ribikauskas
et al. D14/485

(71) Applicant: **LG Electronics Inc.**, Seoul (KR)

(Continued)

(72) Inventors: **Kunho Lee**, Seoul (KR); **Hana Jeong**,
Incheon (KR); **Younghoon Kim**, Seoul
(KR); **Kwanju Jung**, Seoul (KR)

Primary Examiner — Karen E Kearney

(74) *Attorney, Agent, or Firm* — Birch, Stewart, Kolasch &
Birch, LLP

(73) Assignee: **LG Electronics Inc.**, Seoul (KR)

(57) **CLAIM**

The ornamental design for a display of mobile phone with
transitional graphical user interface, as shown and described.

(**) Term: **14 Years**

DESCRIPTION

(21) Appl. No.: **29/447,768**

FIG. 1 is a front view of a first image in a sequence for a
display of mobile phone with transitional graphical user inter-
face;

(22) Filed: **Mar. 6, 2013**

FIG. 2 is a front view of a second image thereof;

(30) **Foreign Application Priority Data**

Sep. 7, 2012 (KR) 30-2012-0043273

FIG. 3 is a front view of a third image thereof;

(51) **LOC (10) Cl.** **14-04**

FIG. 4 is a front view of a fourth image thereof;

(52) **U.S. Cl.**
USPC **D14/486**

FIG. 5 is a front view of a fifth image thereof;

(58) **Field of Classification Search**
CPC G06F 3/04812; G06F 3/04883
USPC D14/485–489, 492; 715/825, 861, 977
See application file for complete search history.

FIG. 6 is a front view of a sixth image thereof;

FIG. 7 is a front view of a seventh image thereof;

FIG. 8 is a front view of an eighth image thereof;

FIG. 9 is a front view of a ninth image thereof;

FIG. 10 is a front view of a tenth image thereof;

FIG. 11 is a front view of an eleventh image thereof; and,

FIG. 12 is a front view of a twelfth image thereof.

The appearance of the transitional image sequentially transi-
tions between the images shown in FIGS. 1-12. The process
or period in which one image transitions to another image
forms no part of the claimed design.

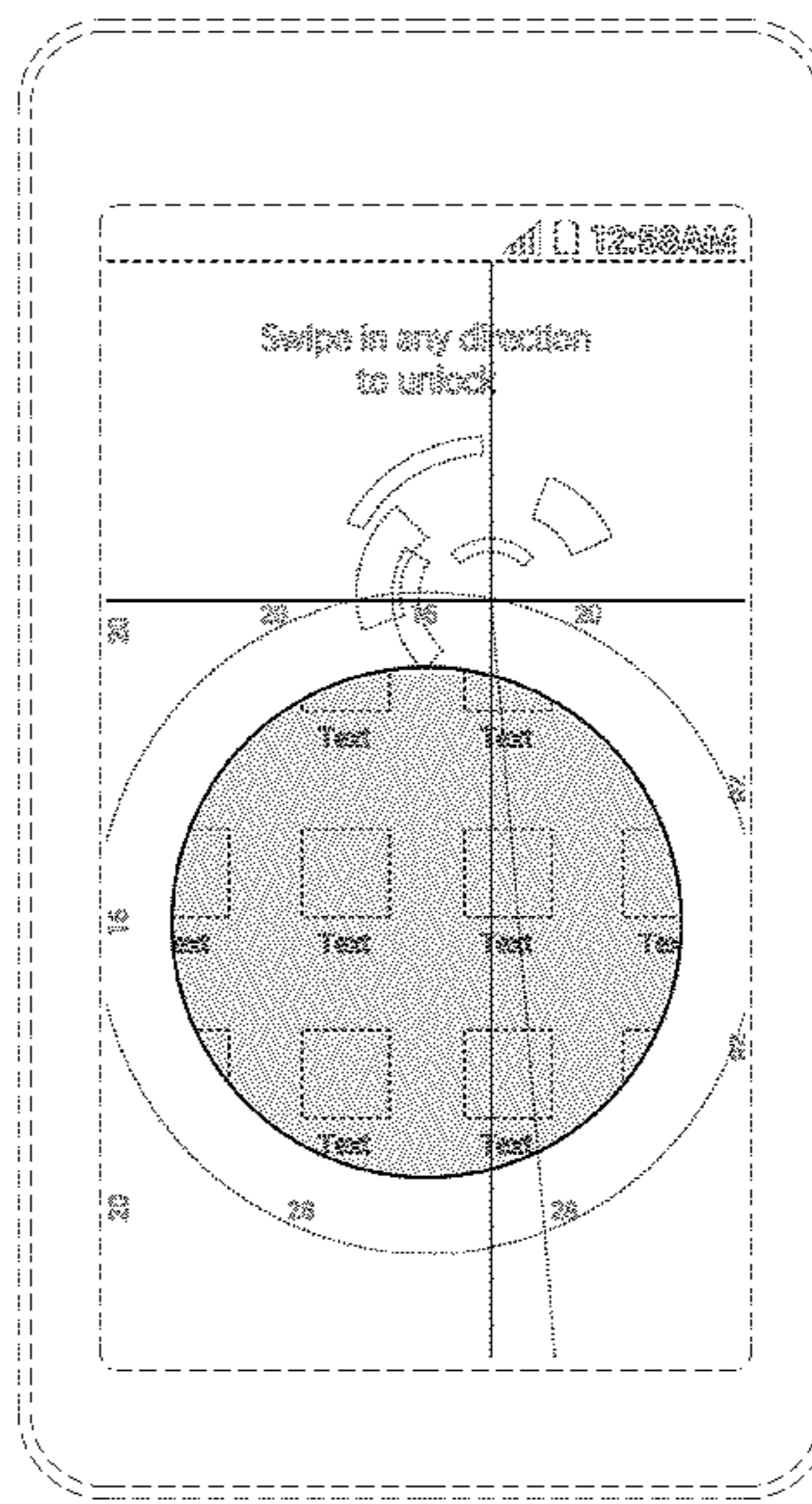
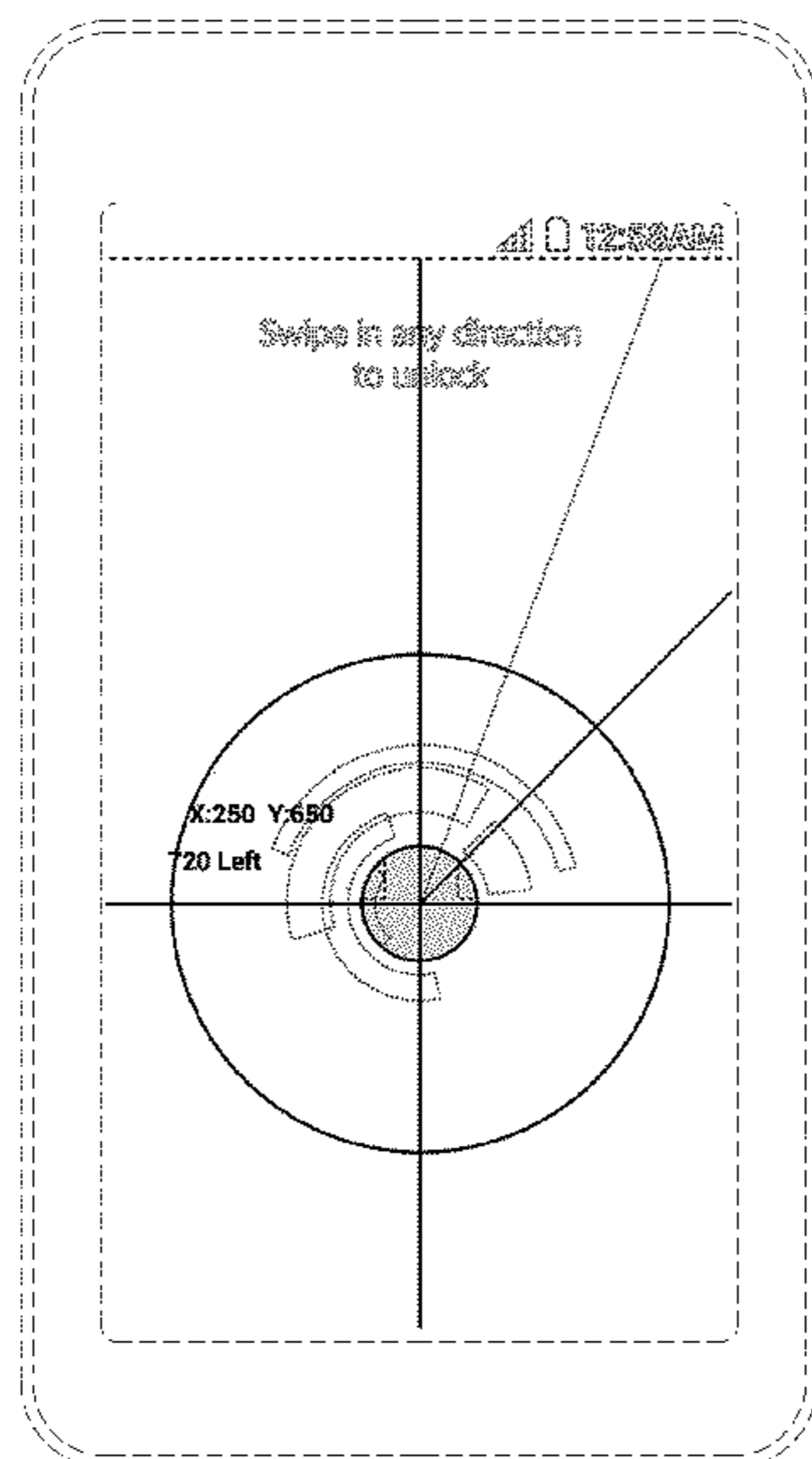
The broken line showings of the display, mobile phone, and
portions of the graphical user interface are included for the
purpose of illustrating environmental structure and form no
part of the claimed design.

(56) **References Cited**

U.S. PATENT DOCUMENTS

5,784,056 A * 7/1998 Nielsen 715/856
D402,645 S * 12/1998 Garguilo D14/492
6,067,085 A * 5/2000 Modh et al. 715/711
6,597,383 B1 * 7/2003 Saito 715/860

1 Claim, 12 Drawing Sheets



(56)

References Cited

U.S. PATENT DOCUMENTS

D544,495 S * 6/2007 Evans et al. D14/488
 D565,579 S * 4/2008 Gunn et al. D14/485
 D567,249 S * 4/2008 Gunn et al. D14/485
 D574,389 S * 8/2008 Armendariz et al. D14/486
 D582,934 S * 12/2008 Byeon D14/486
 D598,460 S * 8/2009 Hirsch et al. D14/485
 D608,368 S * 1/2010 Bamford D14/486
 D626,131 S * 10/2010 Kruzeniski et al. D14/485
 D637,604 S * 5/2011 Brinda D14/488
 D649,155 S * 11/2011 van Os D14/488
 D650,793 S * 12/2011 Impas et al. D14/489
 D665,421 S * 8/2012 Morrow et al. D14/492
 D665,422 S * 8/2012 Morrow et al. D14/492
 D667,423 S * 9/2012 Nagamine D14/488
 D669,497 S * 10/2012 Lee et al. D14/489

D683,743 S * 6/2013 Oshima et al. D14/486
 8,472,671 B2 * 6/2013 Kubota 382/103
 D687,047 S * 7/2013 Hales et al. D14/485
 D687,058 S * 7/2013 Corcoran et al. D14/488
 D687,059 S * 7/2013 Bruck et al. D14/488
 D691,171 S * 10/2013 Brinda et al. D14/488
 D692,915 S * 11/2013 Brinda et al. D14/488
 8,635,545 B2 * 1/2014 Kim et al. 715/764
 D699,745 S * 2/2014 Pearson et al. D14/488
 D700,197 S * 2/2014 Akcasu et al. D14/486
 D700,198 S * 2/2014 Akcasu et al. D14/486
 D703,693 S * 4/2014 Brinda et al. D14/488
 2012/0151415 A1 * 6/2012 Park et al. 715/835
 2012/0242584 A1 * 9/2012 Tuli 345/173
 2013/0063380 A1 * 3/2013 Wang et al. 345/173
 2013/0174094 A1 * 7/2013 Heo et al. 715/835
 2014/0101576 A1 * 4/2014 Kwak et al. 715/761

* cited by examiner

FIG. 1

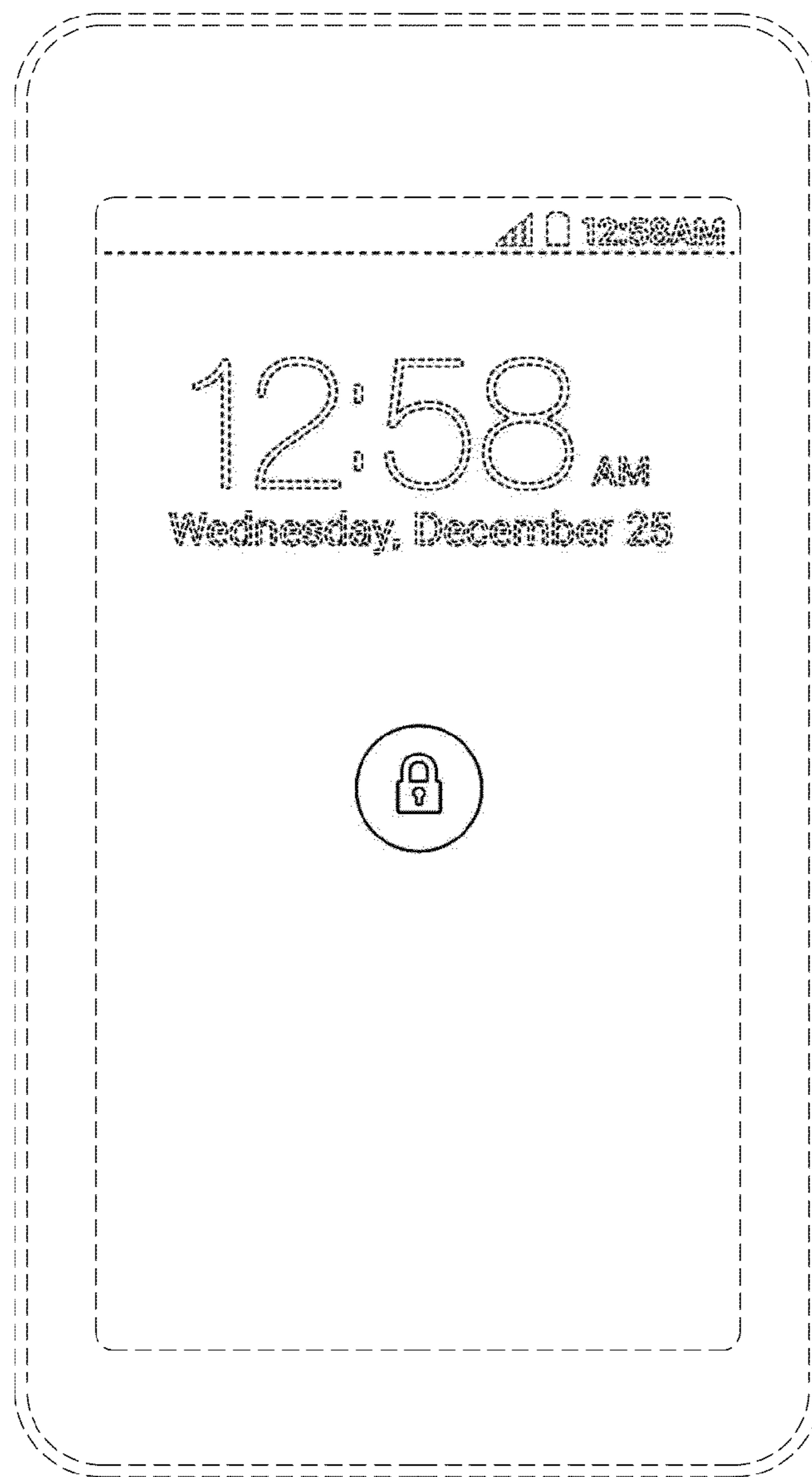


FIG. 2

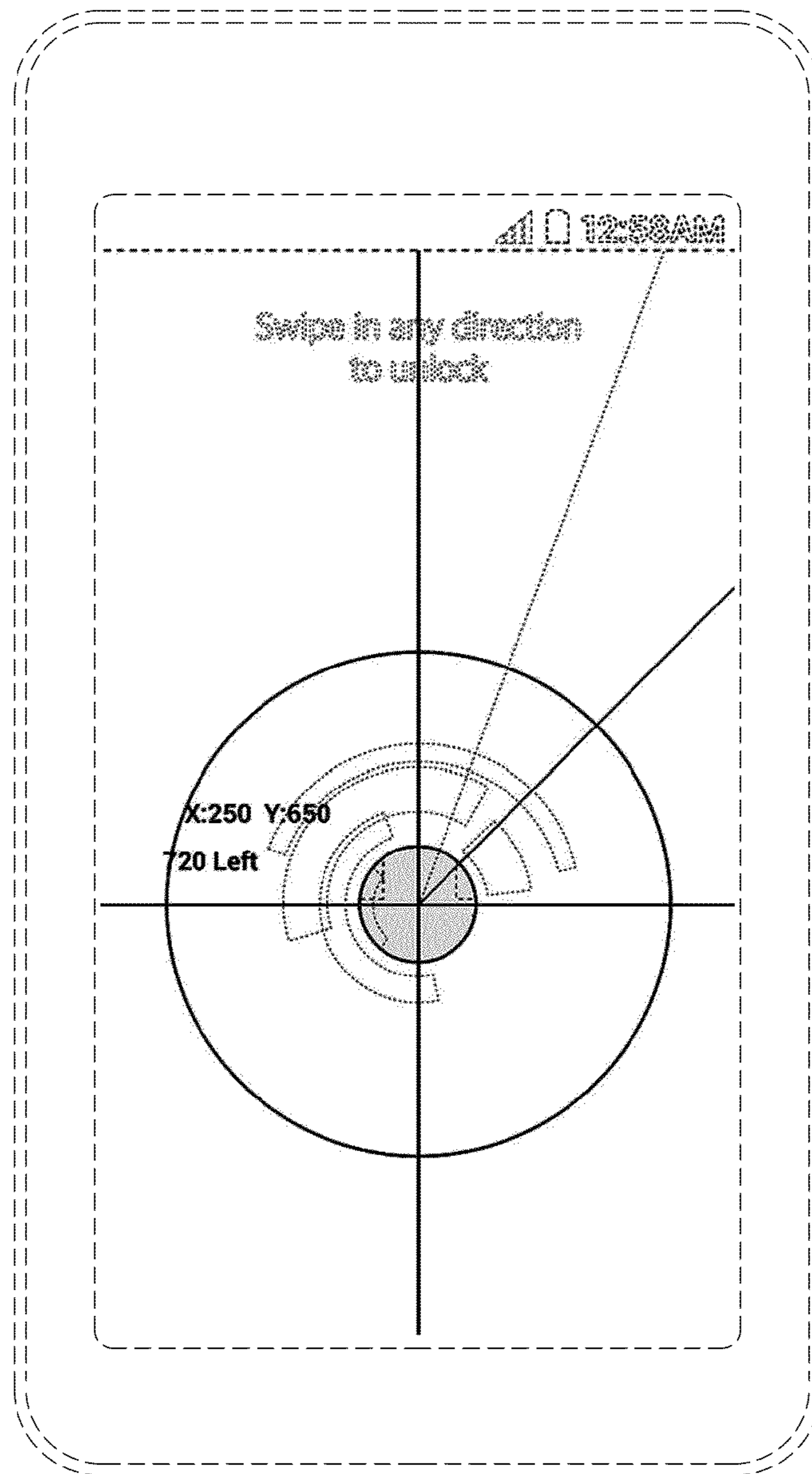


FIG. 3

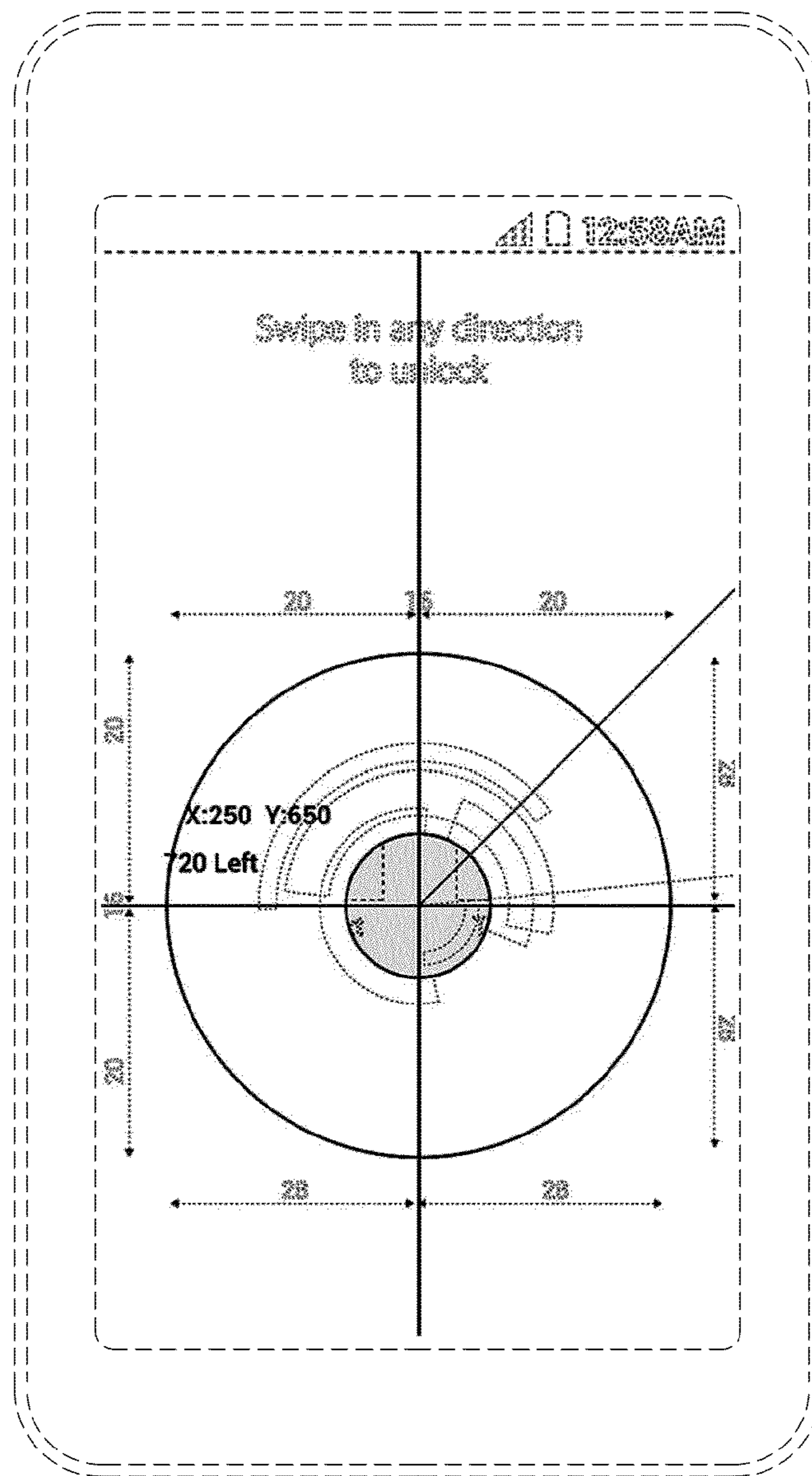


FIG. 4

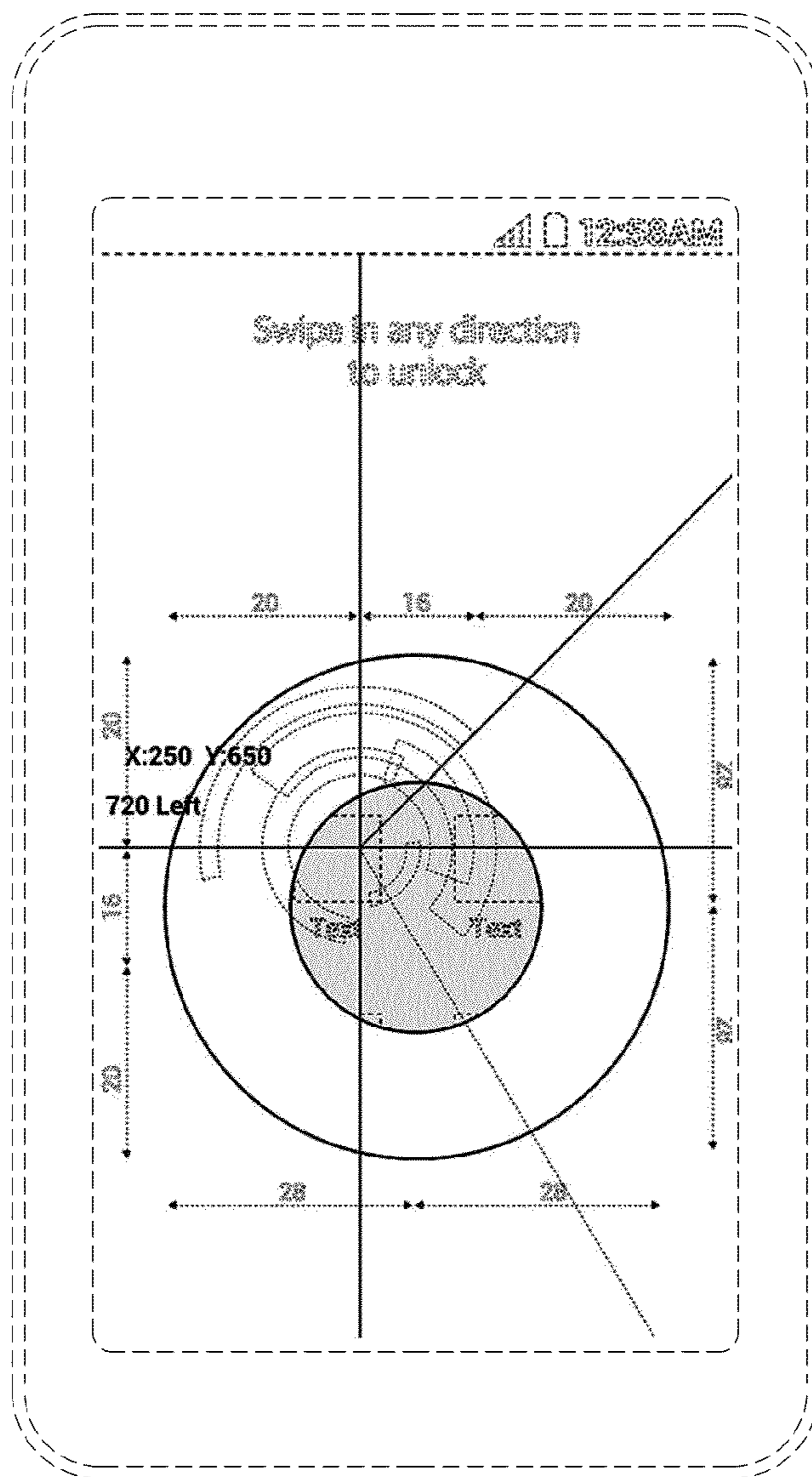


FIG. 5

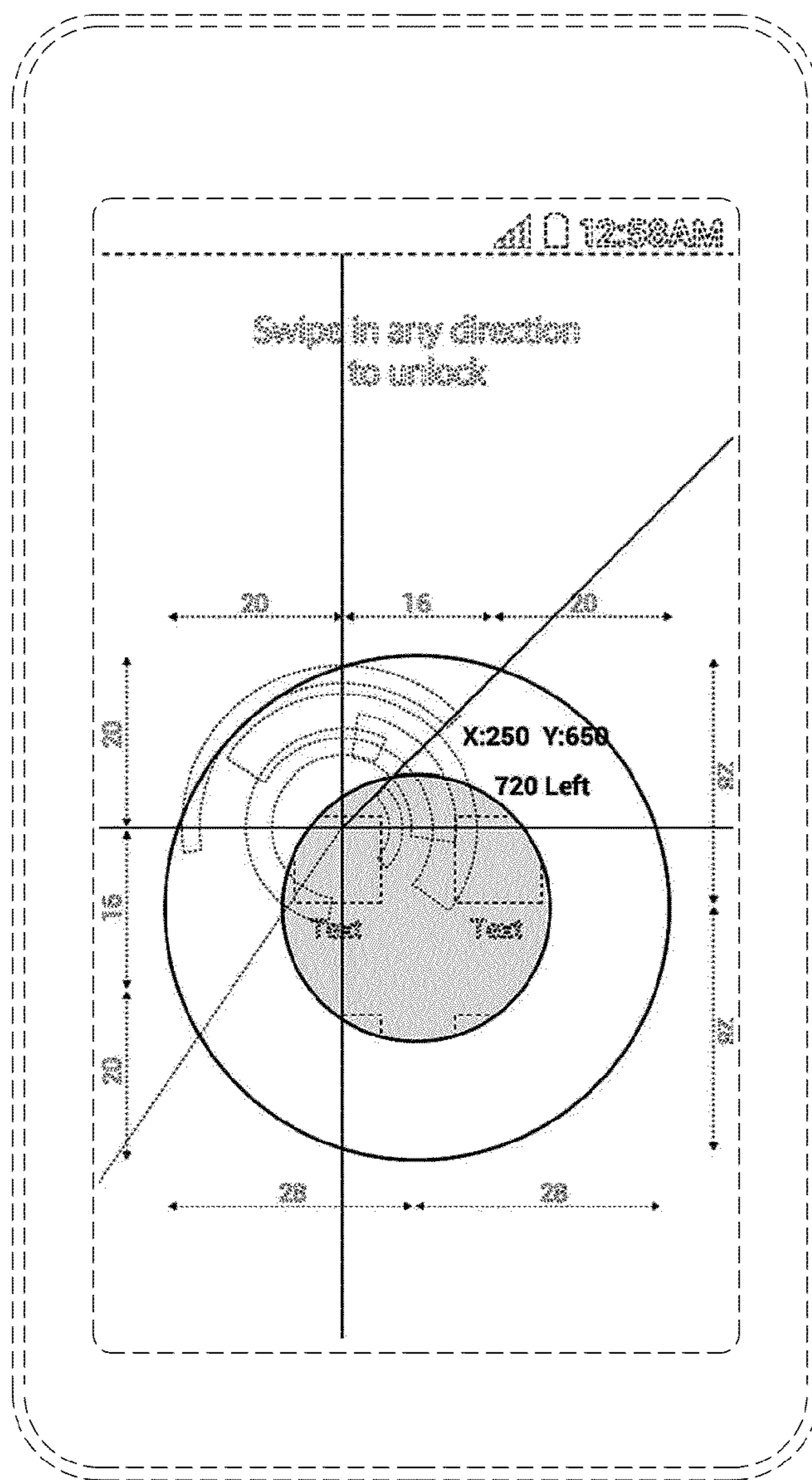


FIG. 6

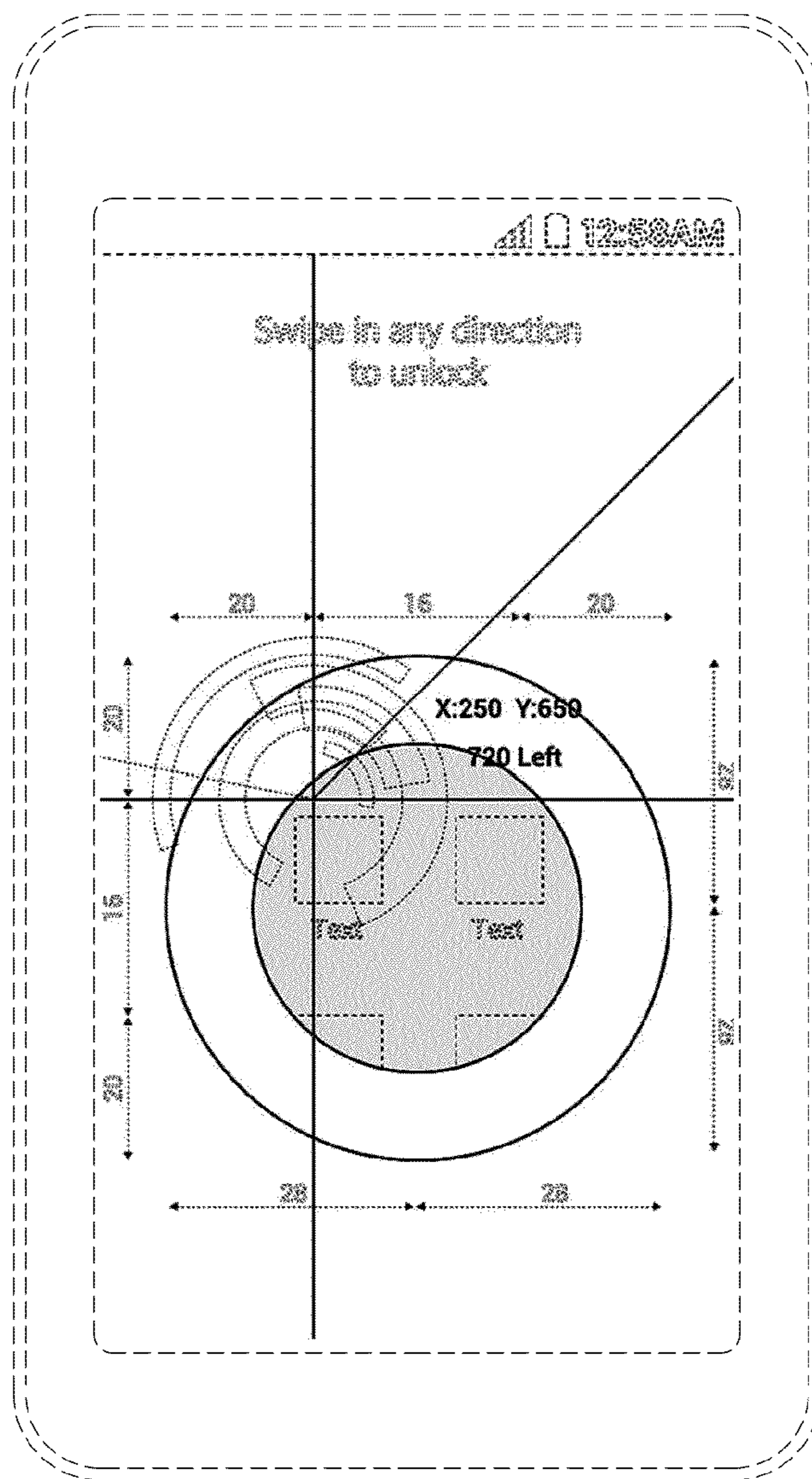


FIG. 7

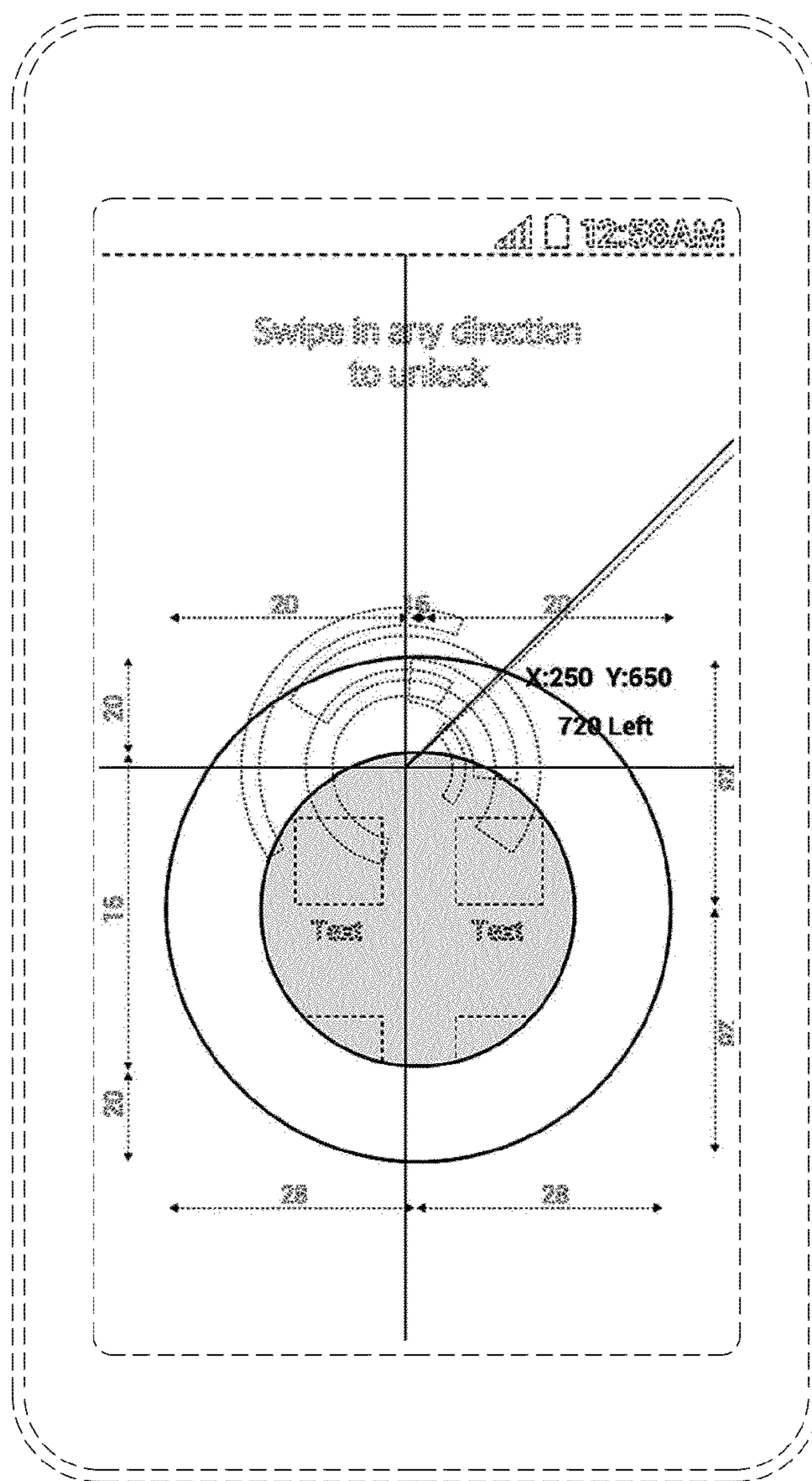


FIG. 8

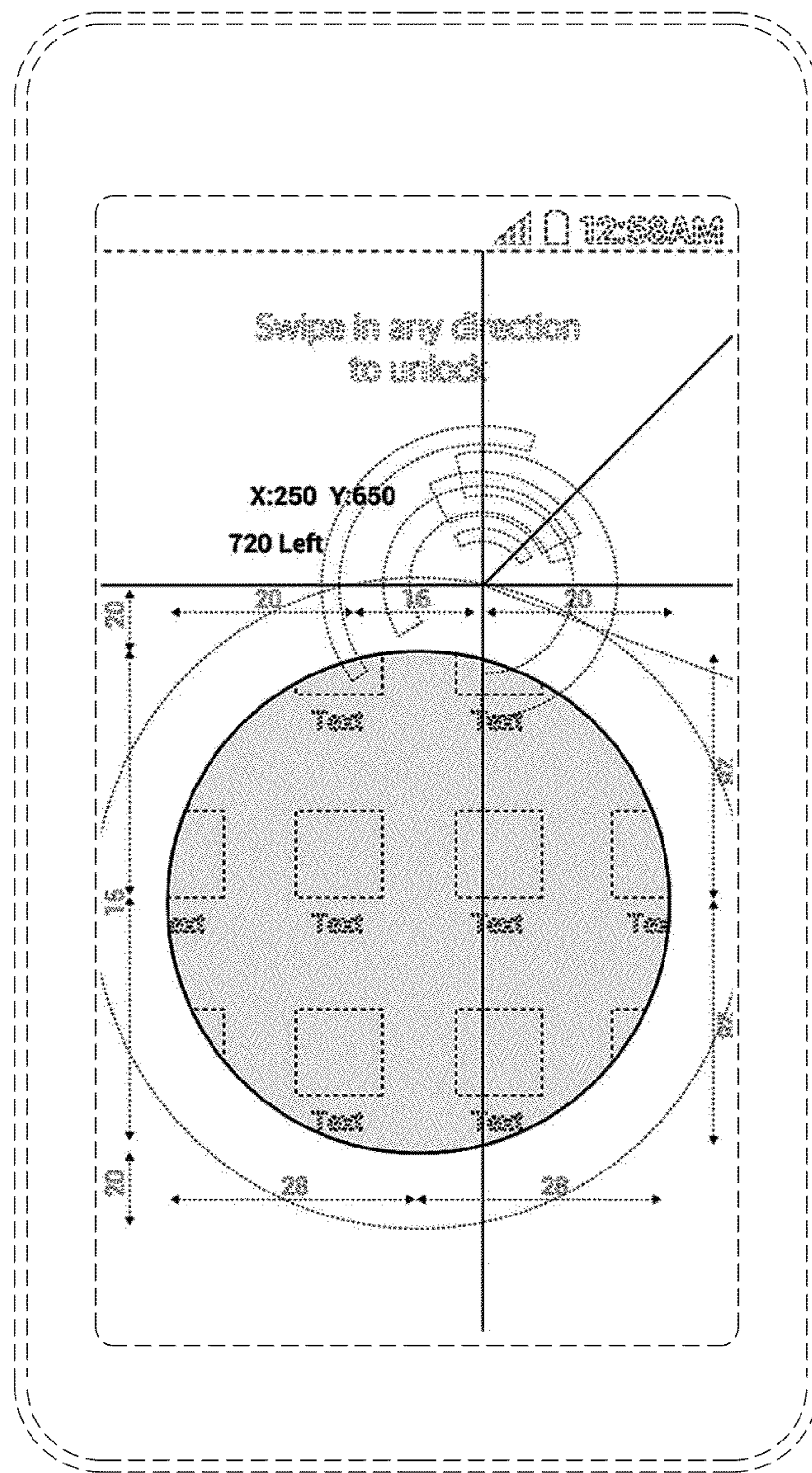


FIG. 9

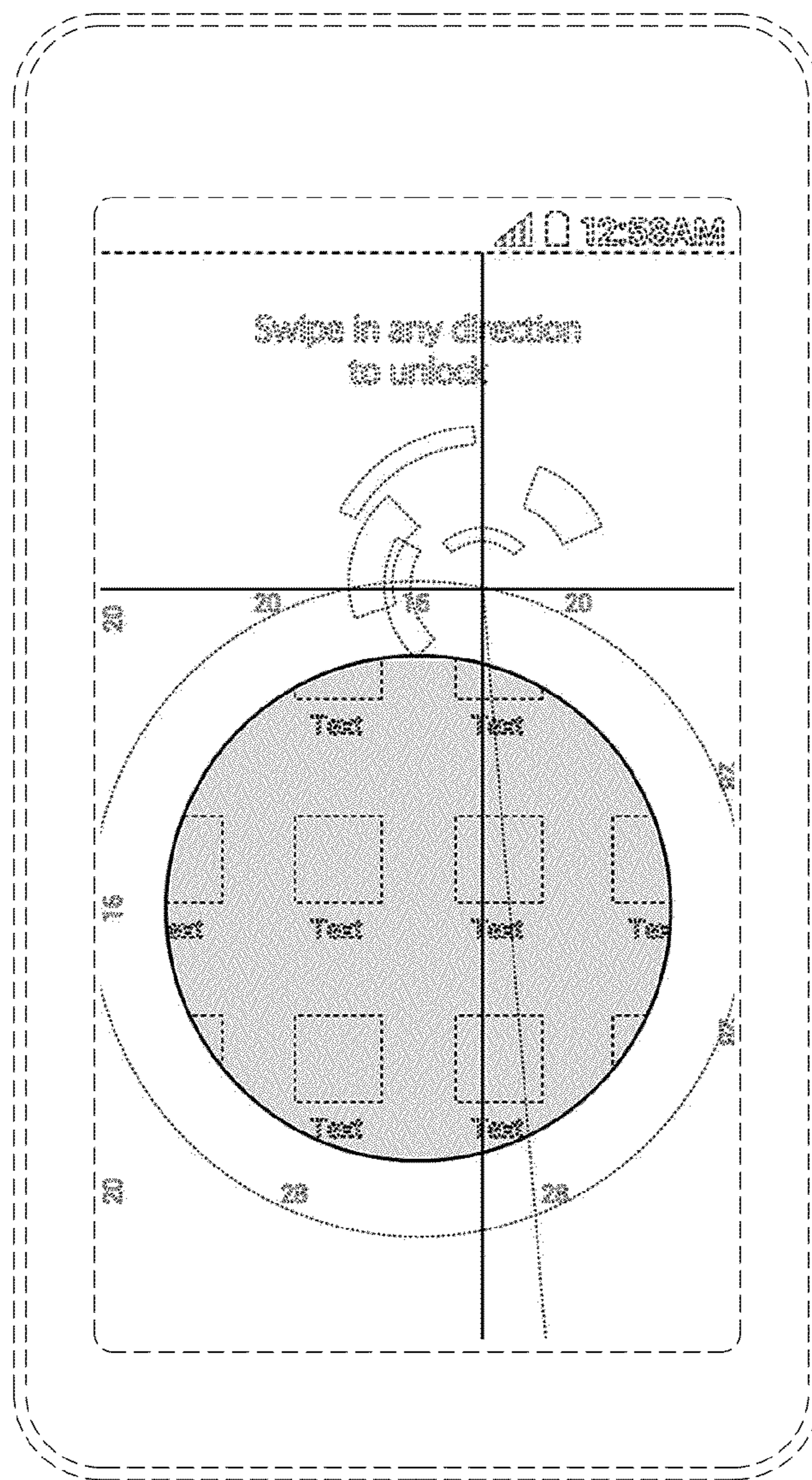


FIG. 10

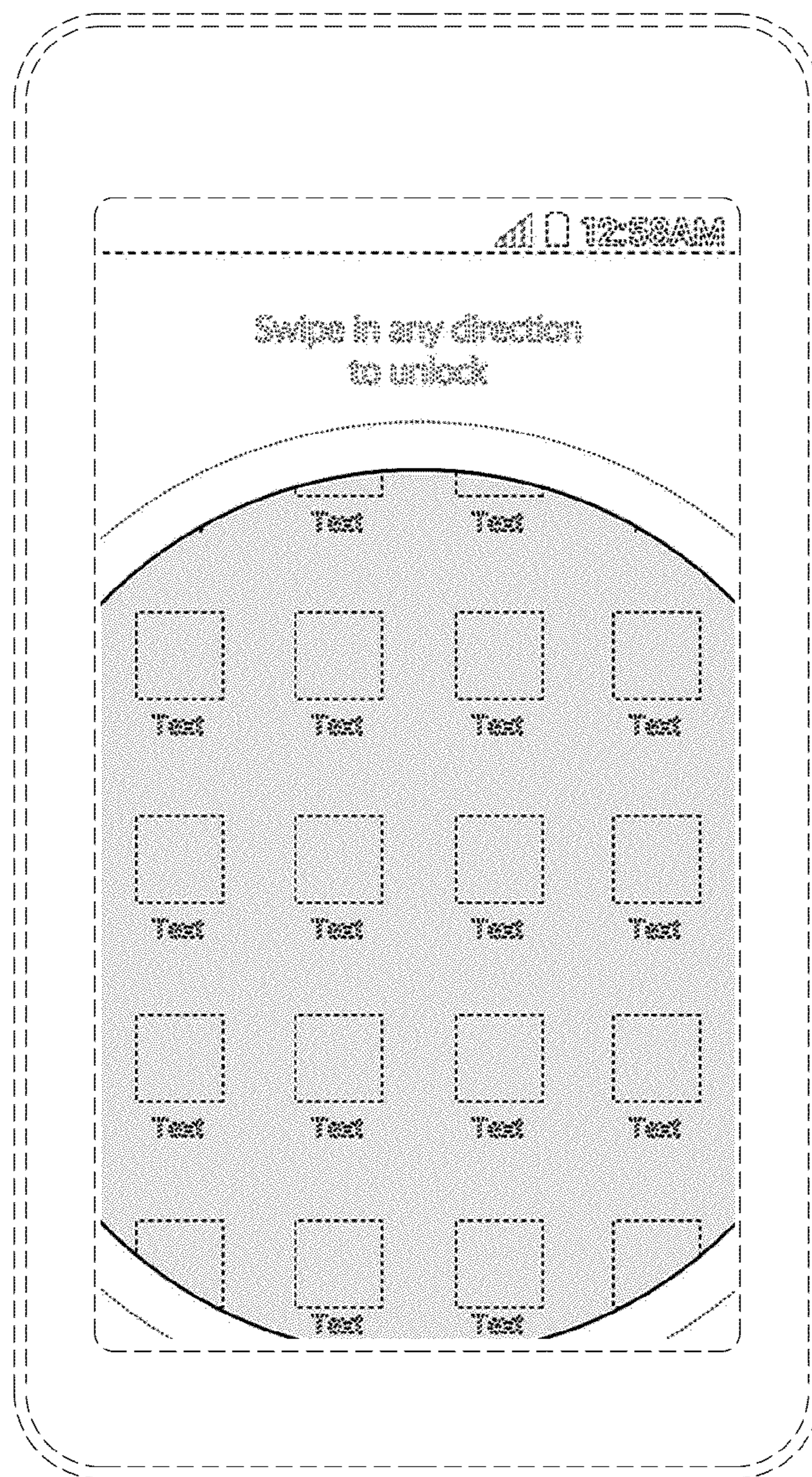


FIG. 11

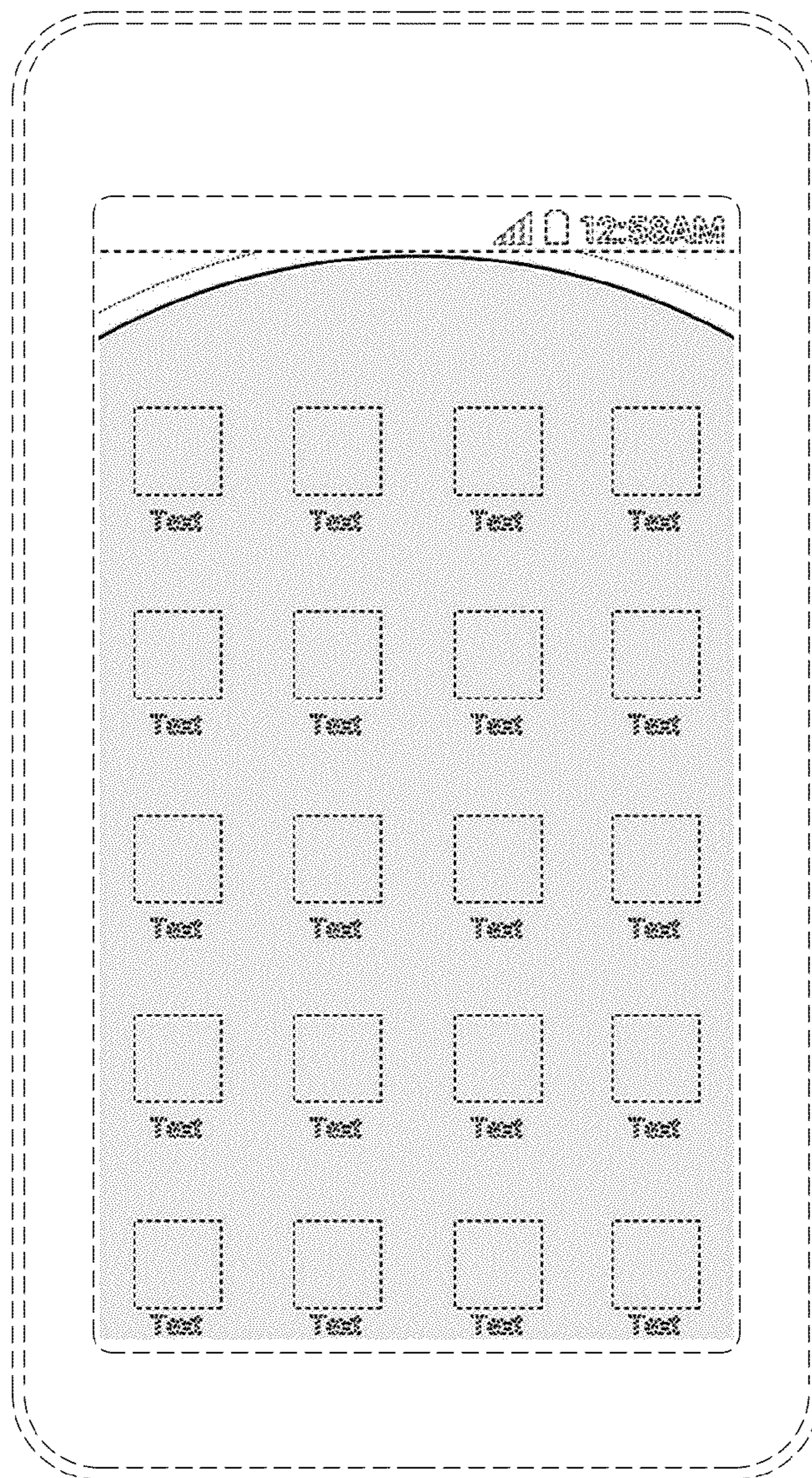


FIG. 12

