



US00D713406S

(12) **United States Design Patent**
Pombo et al.

(10) **Patent No.:** **US D713,406 S**
(45) **Date of Patent:** **** Sep. 16, 2014**

(54) **HEADSET COMPUTER WITH REVERSIBLE DISPLAY**

(71) Applicant: **Kopin Corporation**, Taunton, MA (US)

(72) Inventors: **Stephen A. Pombo**, Campbell, CA (US);
Raphael Hebert, Santa Cruz, CA (US)

(73) Assignee: **Kopin Corporation**, Westborough, MA (US)

(**) Term: **14 Years**

(21) Appl. No.: **29/438,681**

(22) Filed: **Nov. 30, 2012**

(51) **LOC (10) Cl.** **14-02**

(52) **U.S. Cl.**
USPC **D14/372**

(58) **Field of Classification Search**
CPC .. G02B 27/017; G02B 27/158; G02B 27/161;
G02B 27/181; G02B 27/185
USPC D14/372, 496, 432, 371, 125, 126, 129,
D14/299; D16/300-342; 351/158, 153, 144;
345/7-9, 905; 455/344; 348/115, 53,
348/121, 739
See application file for complete search history.

(56) **References Cited**

U.S. PATENT DOCUMENTS

D338,514 S	8/1993	Holmes	
D363,482 S	10/1995	Robinson et al.	
D369,595 S	5/1996	Kober et al.	
D370,909 S	6/1996	Oikawa et al.	
5,990,793 A	11/1999	Bieback	
D429,253 S *	8/2000	Robertson et al. D14/496
6,108,197 A	8/2000	Janik	

D439,265 S	3/2001	Hayashi	
6,204,974 B1	3/2001	Spitzer	
D440,967 S	4/2001	Jung	
6,325,507 B1	12/2001	Jannard et al.	
6,747,611 B1 *	6/2004	Budd et al. 345/7
6,798,391 B2	9/2004	Peterson, III	
6,853,293 B2	2/2005	Swartz et al.	

(Continued)

FOREIGN PATENT DOCUMENTS

WO	WO 95/21408	8/1995
WO	WO 95/23994	9/1995

(Continued)

Primary Examiner — Austin Murphy

(74) *Attorney, Agent, or Firm* — Hamilton, Brook, Smith & Reynolds, P.C.

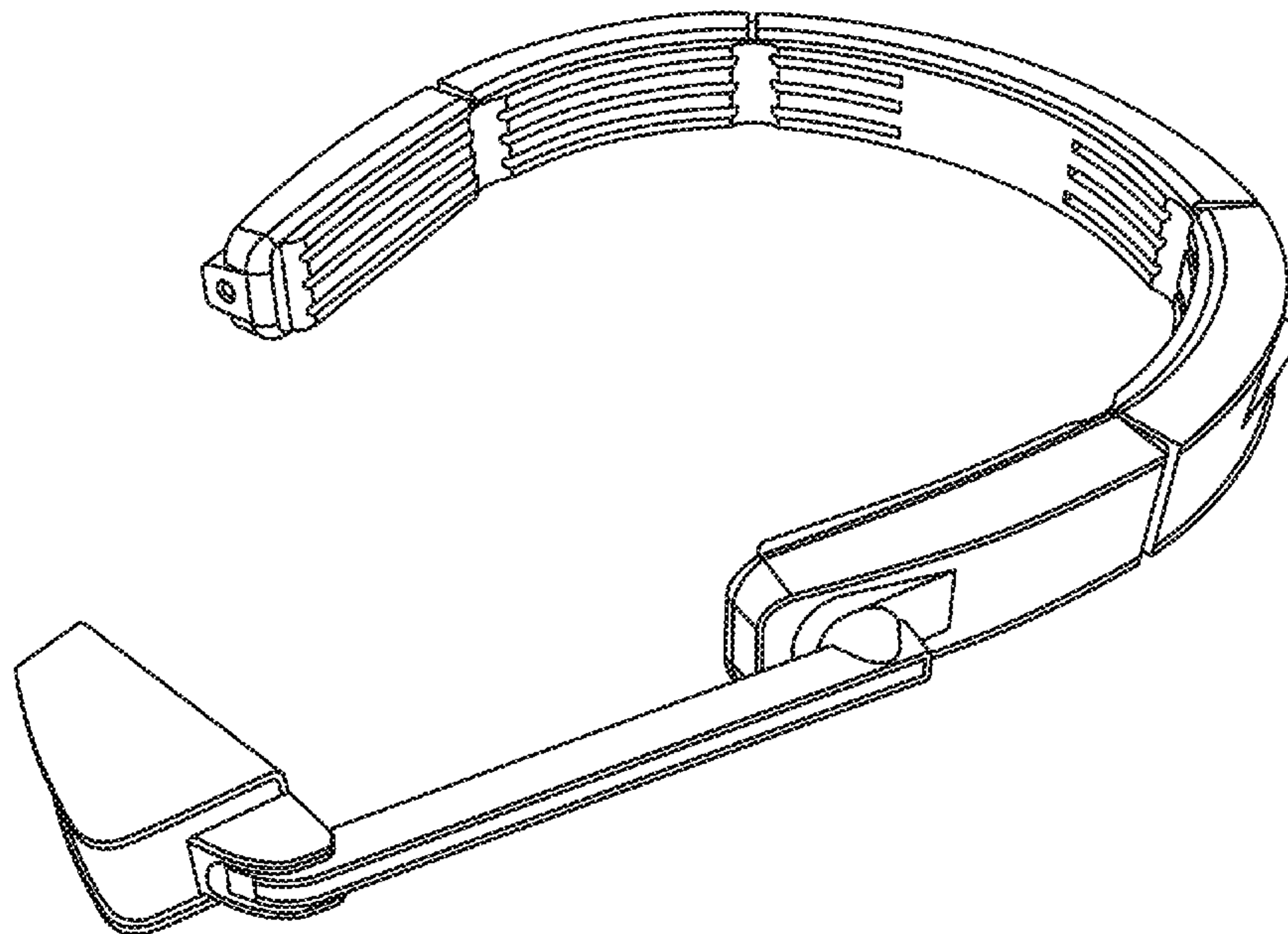
(57) **CLAIM**

The ornamental design for a headset computer with reversible display, as shown and described.

DESCRIPTION

FIG. 1 is a front perspective view of a headset computer with reversible display illustrating the Applicant's new design. FIG. 2 is a front view of the headset computer of FIG. 1. FIG. 3 is a top view of the headset computer of FIG. 1. FIG. 4 is a left side view of the headset computer of FIG. 1. FIG. 5 is a right side view of the headset computer of FIG. 1. FIG. 6 is a rear view of the headset computer of FIG. 1. FIG. 7 is a bottom view of the headset computer of FIG. 1. FIG. 8 is a front perspective view of the headset computer of FIG. 1 with the boom and display positioned to be worn below a user's left eye; and, FIG. 9 is a front perspective view of the headset computer of FIG. 1 in a storage position.

1 Claim, 9 Drawing Sheets



(56)

References Cited

U.S. PATENT DOCUMENTS

6,900,777 B1 5/2005 Hebert et al.
 6,922,184 B2 7/2005 Lawrence et al.
 6,956,614 B1 10/2005 Quintana et al.
 6,966,647 B2 11/2005 Jannard et al.
 7,004,582 B2 2/2006 Jannard et al.
 D517,066 S 3/2006 Travers et al.
 7,013,009 B2 3/2006 Warren
 D521,493 S 5/2006 Wai
 7,082,393 B2 7/2006 Lahr
 7,147,324 B2 12/2006 Jannard et al.
 7,150,526 B2 12/2006 Jannard et al.
 7,213,917 B2 5/2007 Jannard et al.
 7,216,973 B2 5/2007 Jannard et al.
 7,219,994 B2 5/2007 Jannard et al.
 7,231,038 B2 6/2007 Warren
 7,249,846 B2 7/2007 Grand et al.
 7,278,734 B2 10/2007 Jannard et al.
 7,331,666 B2 2/2008 Swab et al.
 D566,744 S * 4/2008 Travers et al. D16/300
 D571,366 S 6/2008 Lee
 7,445,332 B2 11/2008 Jannard et al.
 7,452,073 B2 11/2008 Jannard et al.
 7,461,936 B2 12/2008 Jannard
 7,494,216 B2 2/2009 Jannard et al.
 7,512,414 B2 3/2009 Jannard et al.
 7,682,018 B2 3/2010 Jannard
 7,740,353 B2 6/2010 Jannard
 7,744,213 B2 6/2010 Jannard et al.
 7,753,520 B2 7/2010 Fuziak, Jr.
 7,798,638 B2 9/2010 Fuziak, Jr.
 7,806,525 B2 10/2010 Howell et al.
 7,918,556 B2 4/2011 Lewis
 D640,256 S 6/2011 So
 7,966,189 B2 6/2011 Le et al.
 7,967,433 B2 6/2011 Jannard et al.
 7,969,383 B2 6/2011 Eberl et al.
 7,988,283 B2 8/2011 Jannard
 7,997,723 B2 8/2011 Pienimaa et al.
 8,010,156 B2 8/2011 Warren
 D645,862 S 9/2011 Paul
 8,020,989 B2 9/2011 Jannard et al.
 8,025,398 B2 9/2011 Jannard
 8,072,393 B2 12/2011 Riechel
 8,092,011 B2 1/2012 Sugihara et al.
 8,098,439 B2 1/2012 Amitai et al.
 8,123,352 B2 2/2012 Matsumoto et al.
 8,140,197 B2 3/2012 Lapidot et al.
 D659,137 S * 5/2012 Matsumoto D14/372
 D659,739 S * 5/2012 Olsson et al. D16/300
 D660,341 S * 5/2012 Olsson et al. D16/300
 D662,964 S * 7/2012 Olsson et al. D16/300
 D664,184 S * 7/2012 Olsson et al. D16/309
 D664,586 S * 7/2012 Olsson D16/300

8,212,859 B2 7/2012 Tang et al.
 D666,237 S * 8/2012 Olsson et al. D16/309
 D669,066 S * 10/2012 Olsson et al. D14/309
 D669,471 S 10/2012 Hwang et al.
 D671,589 S * 11/2012 Olsson D16/300
 D680,152 S * 4/2013 Olsson et al. D16/309
 D691,602 S * 10/2013 Sugihara et al. D14/300
 D692,424 S 10/2013 Pombo
 D697,962 S * 1/2014 Olsson D16/300
 D701,506 S * 3/2014 Pombo D14/372
 D703,724 S * 4/2014 Olsson D16/300
 2002/0015008 A1 2/2002 Kishida et al.
 2002/0094845 A1 7/2002 Inasaka
 2003/0068057 A1 4/2003 Miller et al.
 2005/0264527 A1 12/2005 Lin
 2006/0132382 A1 6/2006 Jannard
 2008/0198324 A1 8/2008 Fuziak
 2009/0128448 A1 5/2009 Riechel
 2009/0154719 A1 6/2009 Wulff et al.
 2009/0180195 A1 7/2009 Cakmakci et al.
 2010/0020229 A1 1/2010 Hershey et al.
 2010/0033830 A1 2/2010 Yung
 2010/0053069 A1 3/2010 Tricoukes et al.
 2010/0121480 A1 5/2010 Stelzer et al.
 2010/0171680 A1 7/2010 Lapidot et al.
 2010/0238184 A1 9/2010 Janicki
 2010/0271587 A1 10/2010 Pavlopoulos
 2010/0277563 A1 11/2010 Gupta et al.
 2010/0289817 A1 11/2010 Meier et al.
 2011/0001699 A1 1/2011 Jacobsen et al.
 2011/0089207 A1 4/2011 Tricoukes et al.
 2011/0090135 A1 4/2011 Tricoukes et al.
 2011/0214082 A1 9/2011 Osterhout et al.
 2011/0221669 A1 9/2011 Shams et al.
 2011/0221671 A1 9/2011 King, III et al.
 2011/0227812 A1 9/2011 Haddick et al.
 2011/0227813 A1 9/2011 Haddick et al.
 2011/0254698 A1 10/2011 Eberl et al.
 2011/0255050 A1 10/2011 Jannard et al.
 2011/0273662 A1 11/2011 Hwang et al.
 2012/0013843 A1 1/2012 Jannard
 2012/0026071 A1 2/2012 Hamdani et al.
 2012/0056846 A1 3/2012 Zaliva
 2012/0062445 A1 3/2012 Haddick et al.
 2012/0105740 A1 5/2012 Jannard et al.
 2012/0114131 A1 5/2012 Tricoukes et al.
 2012/0188245 A1 7/2012 Hyatt
 2013/0285886 A1 10/2013 Pombo

FOREIGN PATENT DOCUMENTS

WO WO 00/79327 12/2000
 WO WO 2009/076016 6/2009
 WO WO 2011/051660 5/2011
 WO WO 2012/040386 3/2012

* cited by examiner

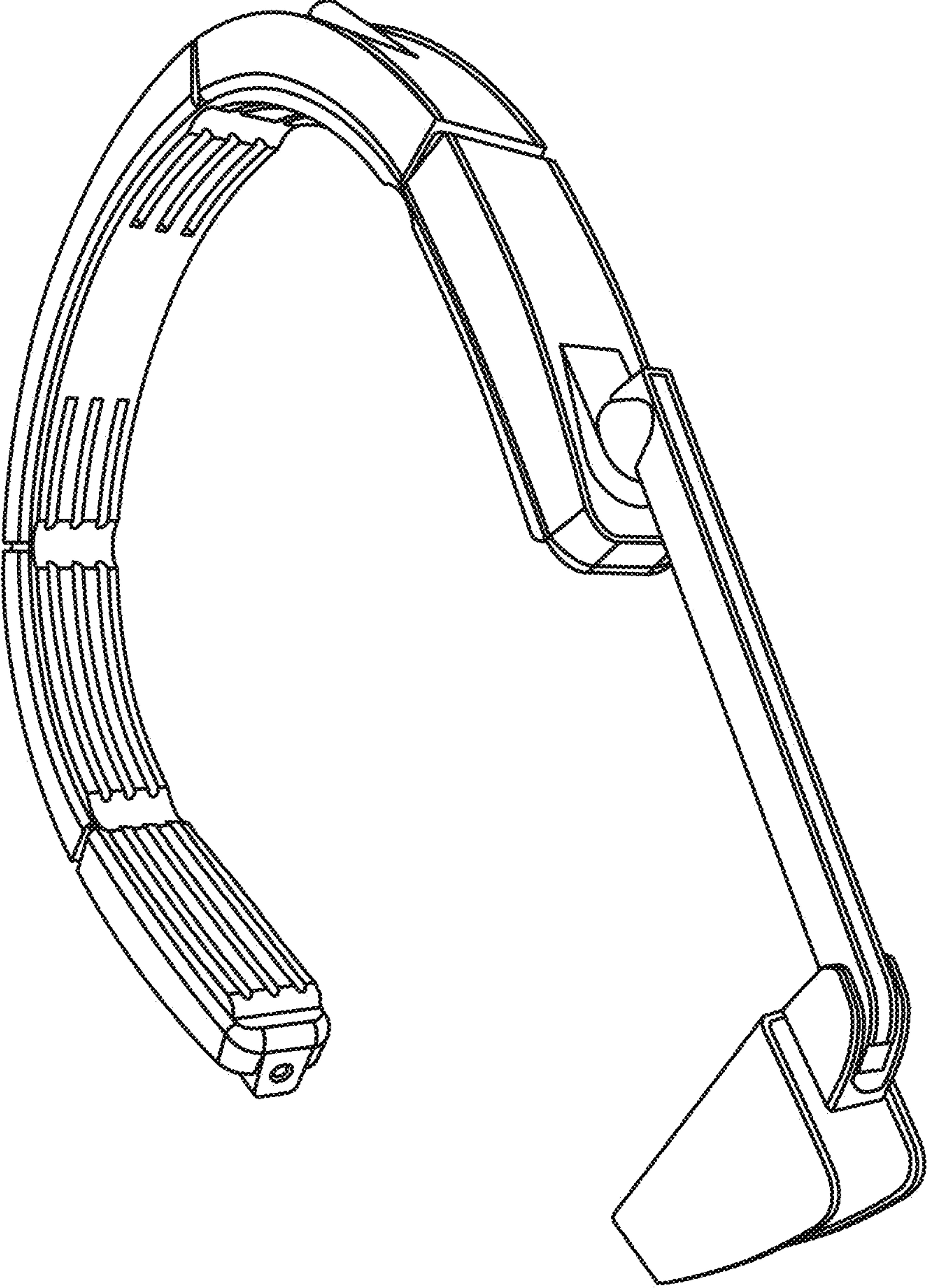


FIG. 1

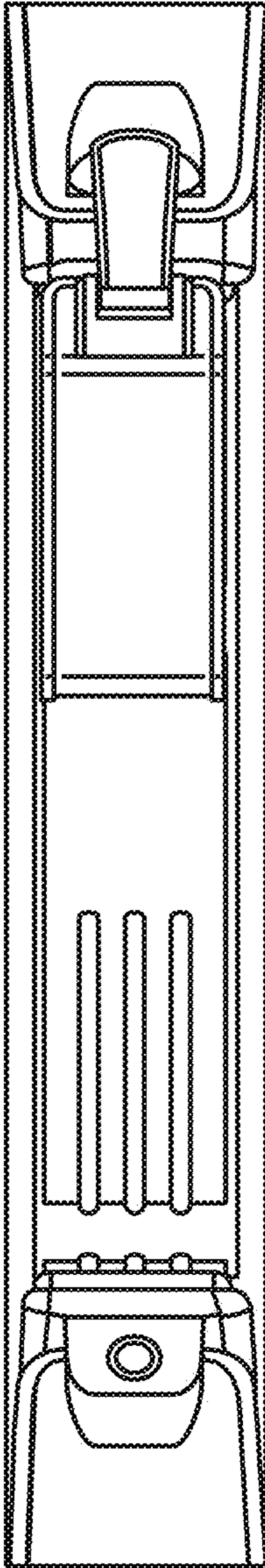


FIG. 2

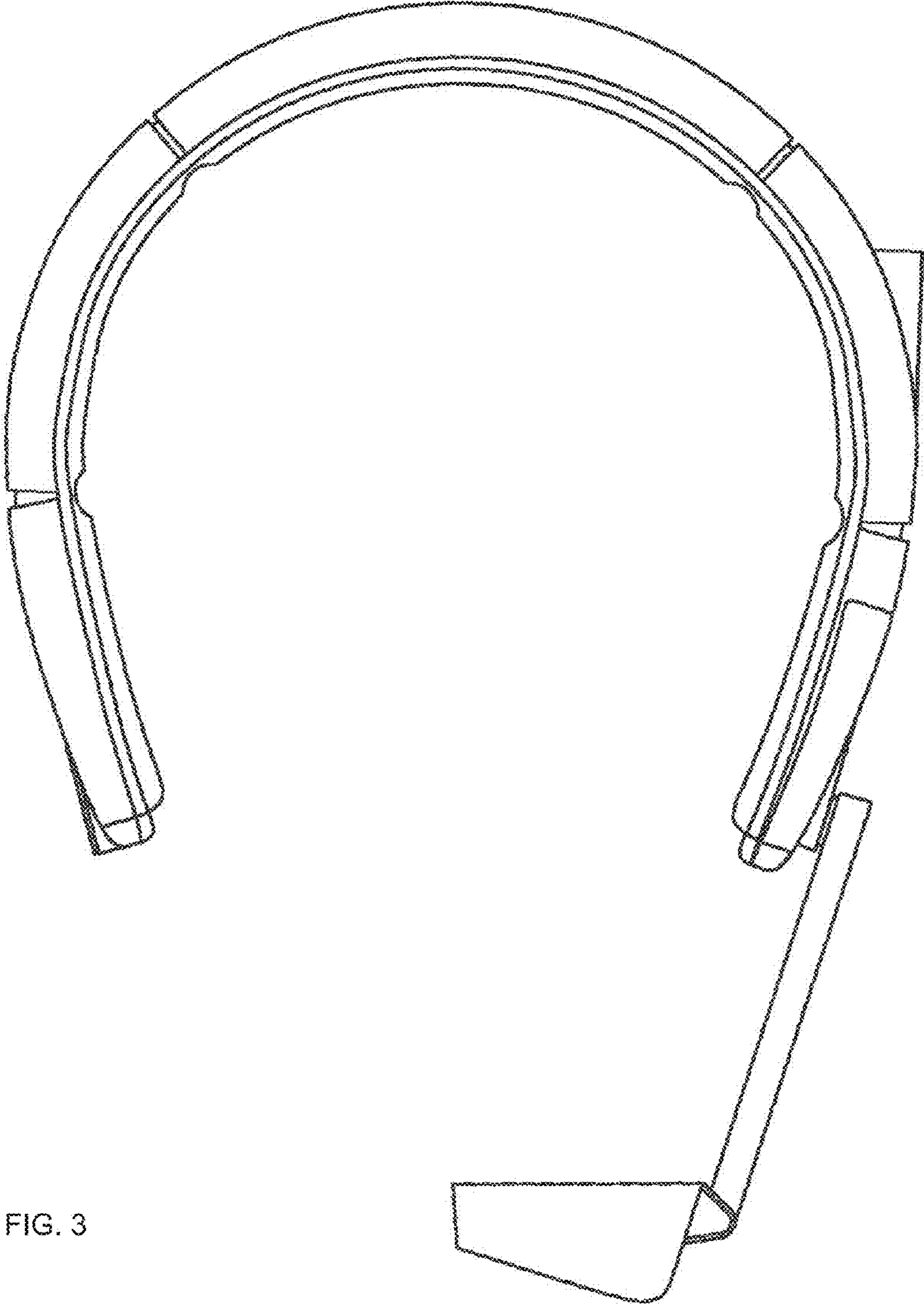


FIG. 3

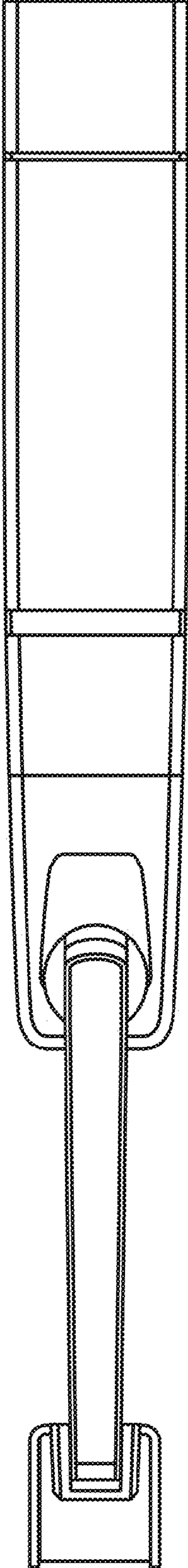


FIG. 4

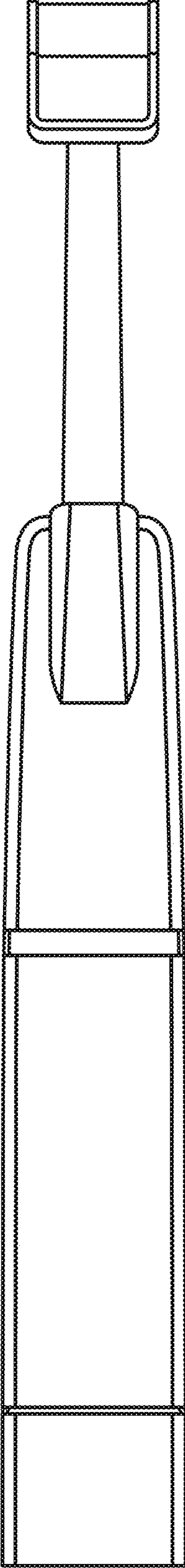


FIG. 5

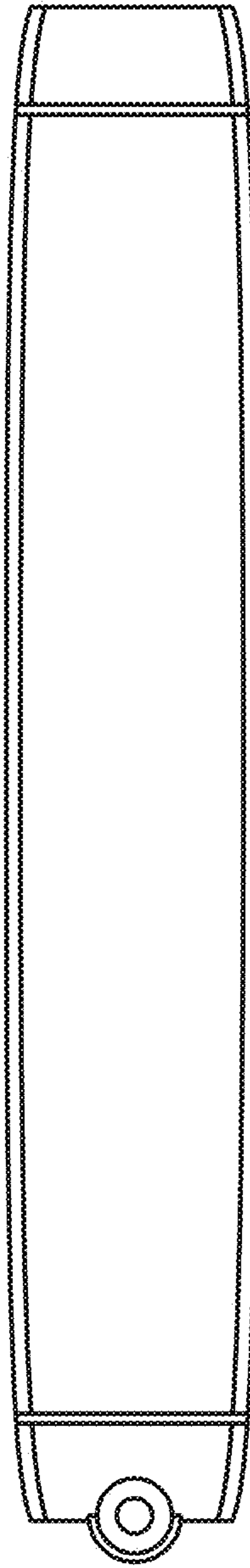


FIG. 6

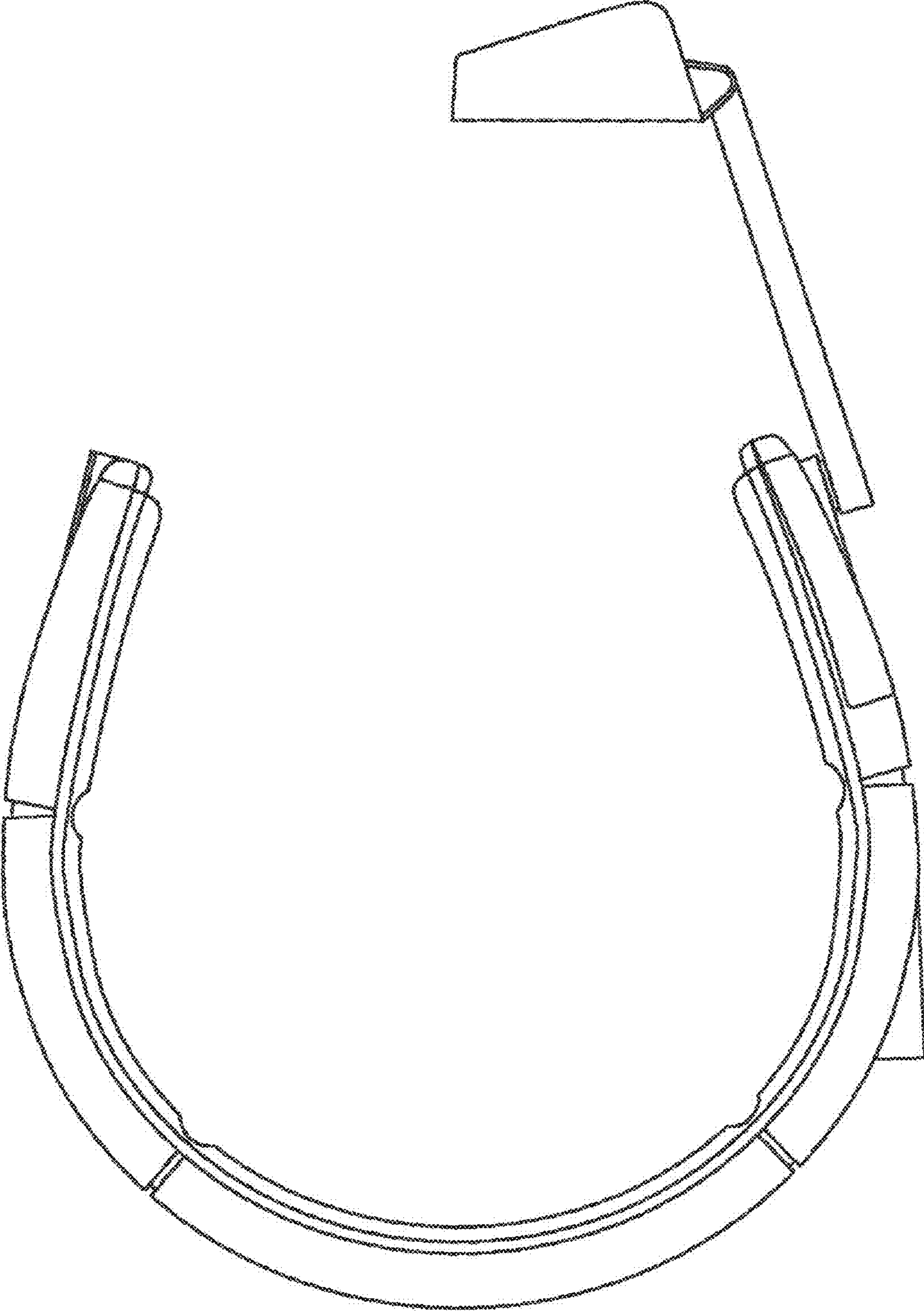


FIG. 7

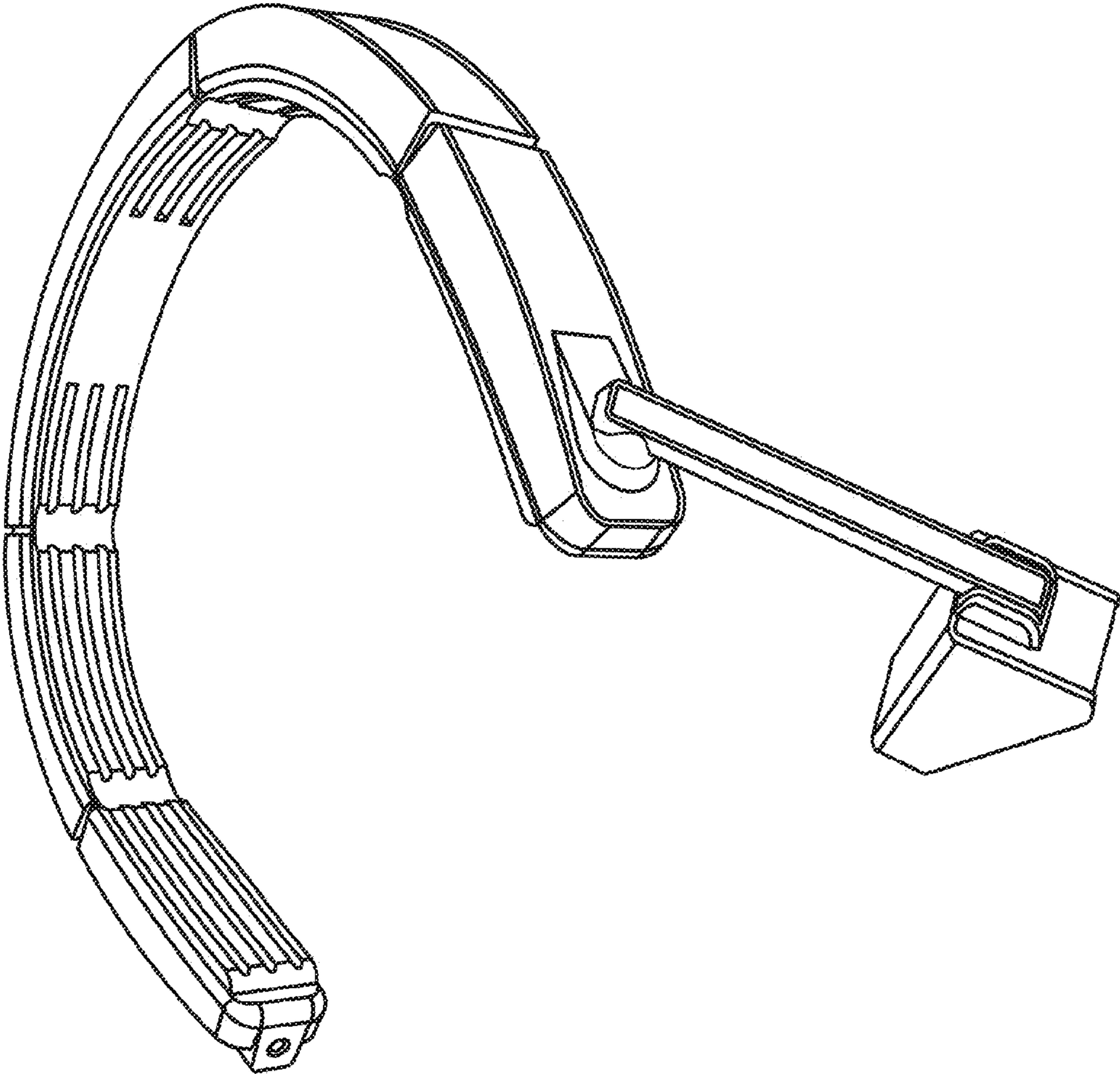


FIG. 8

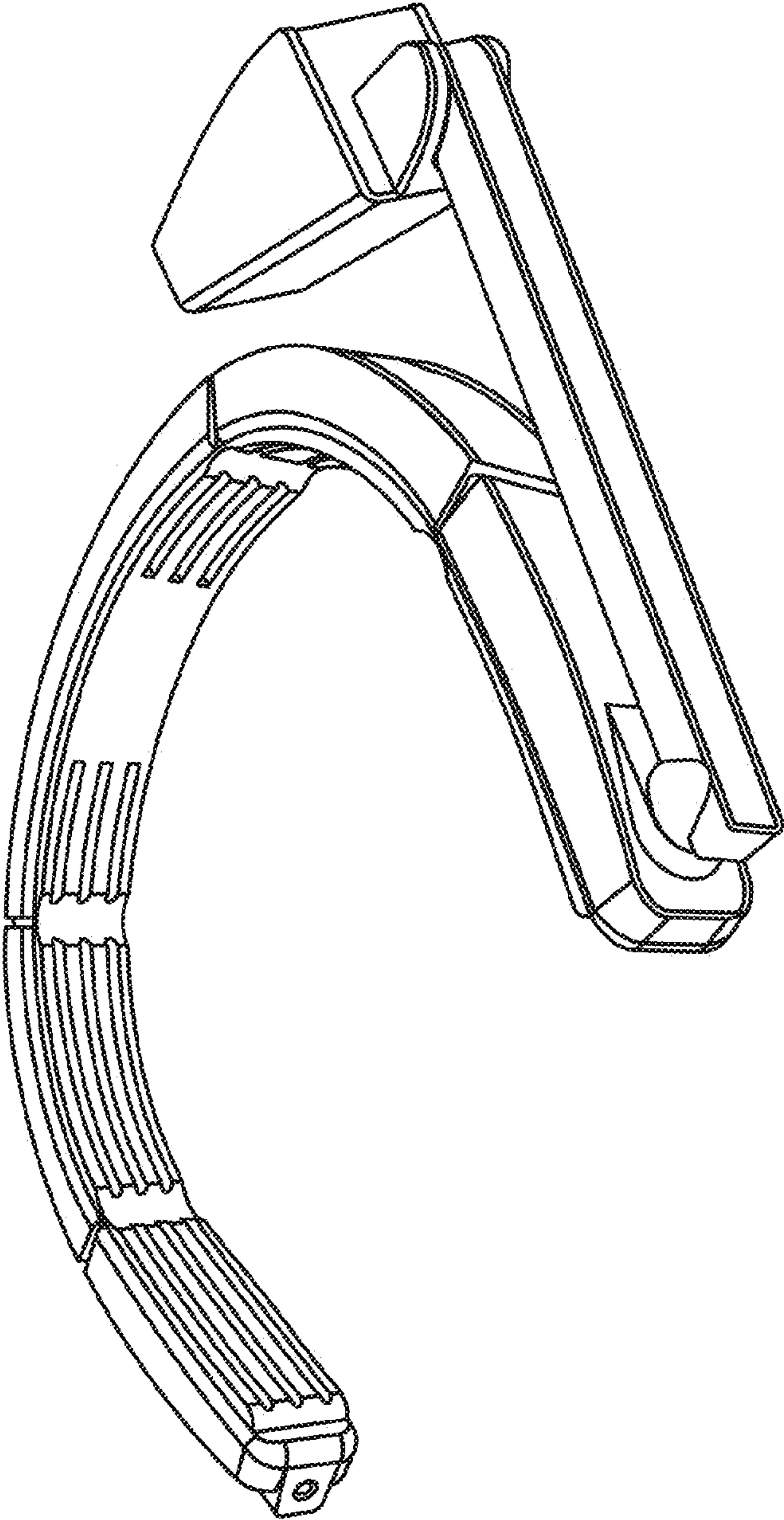


FIG. 9