



US00D713402S

(12) **United States Design Patent**
Akana et al.

(10) **Patent No.:** **US D713,402 S**

(45) **Date of Patent:** **** *Sep. 16, 2014**

(54) **PORTABLE DISPLAY DEVICE WITH CASE**

(75) Inventors: **Jody Akana**, San Francisco, CA (US); **Bartley K. Andre**, Menlo Park, CA (US); **Jeremy Bataillou**, San Francisco, CA (US); **Daniel J. Coster**, San Francisco, CA (US); **Daniele De Iuliis**, San Francisco, CA (US); **M. Evans Hankey**, San Francisco, CA (US); **Julian Hoening**, San Francisco, CA (US); **Richard P. Howarth**, San Francisco, CA (US); **Jonathan P. Ive**, San Francisco, CA (US); **Duncan Robert Kerr**, San Francisco, CA (US); **Shin Nishibori**, Kailua, HI (US); **Matthew Dean Rohrbach**, San Francisco, CA (US); **Peter Russell-Clarke**, San Francisco, CA (US); **Christopher J. Stringer**, Woodside, CA (US); **Eugene Antony Whang**, San Francisco, CA (US); **Rico Zorkendorfer**, San Francisco, CA (US)

(73) Assignee: **Apple Inc.**, Cupertino, CA (US)

(*) Notice: This patent is subject to a terminal disclaimer.

(**) Term: **14 Years**

(21) Appl. No.: **29/415,927**

(22) Filed: **Mar. 15, 2012**

Related U.S. Application Data

(63) Continuation-in-part of application No. 29/415,062, filed on Mar. 7, 2012, now Pat. No. Des. 688,251, which is a continuation of application No. 29/415,035, filed on Mar. 6, 2012, now abandoned, and a continuation-in-part of application No. 29/415,035, filed on Mar. 6, 2012, now abandoned.

(51) **LOC (10) Cl.** **14-02**

(52) **U.S. Cl.**
USPC **D14/341**

(58) **Field of Classification Search**

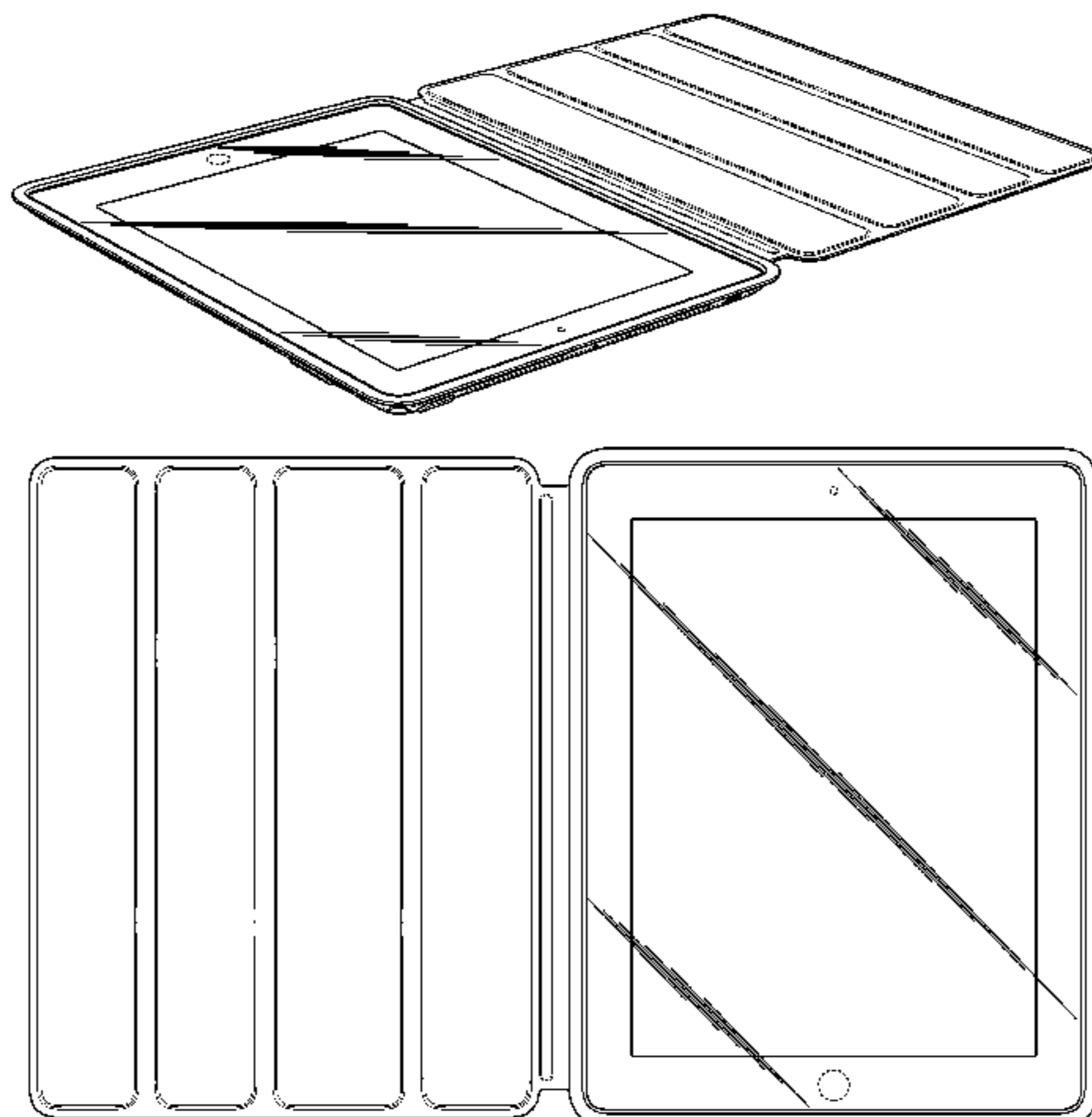
USPC D14/341-347, 336, 337, 371, 374, 138, D14/496, 440; D10/65; 345/901, 104, 133, 345/156, 168, 173; 348/180, 184, 325, 739, 348/373, 376; 385/88; 710/62; 455/575.3, 455/575.1; D19/60; 361/679.27; 178/18.03; 434/317

See application file for complete search history.

(56) **References Cited**

U.S. PATENT DOCUMENTS

2,968,176	A	1/1961	Collings	
3,442,371	A	5/1969	Deshong et al.	
4,259,568	A *	3/1981	Dynesen	235/1 D
4,718,550	A	1/1988	Johnson	
D321,855	S	11/1991	Ross, Jr.	
5,066,158	A	11/1991	Huang	
5,092,354	A	3/1992	Pacelli, Jr.	
D331,191	S	11/1992	Ventola et al.	
D356,120	S	3/1995	Allen	
D364,191	S *	11/1995	Allen	D21/335
D409,667	S	5/1999	Riley et al.	
D454,110	S	3/2002	Andre et al.	
D467,429	S	12/2002	Bone et al.	
6,763,942	B1 *	7/2004	Yeh	206/320
D504,889	S *	5/2005	Andre et al.	D14/341
D512,100	S	11/2005	Howes et al.	
D538,096	S	3/2007	Bartell et al.	
D556,681	S	12/2007	Kim	
D568,605	S *	5/2008	Harris et al.	D3/218
D574,819	S	8/2008	Andre et al.	
D582,405	S *	12/2008	Andre et al.	D3/299
D583,479	S	12/2008	Yim	
D584,141	S	1/2009	Smith et al.	
D599,761	S *	9/2009	Birsel et al.	D14/138 R
D600,455	S *	9/2009	Nell	D6/308
D603,398	S *	11/2009	Watson et al.	D14/345
D606,751	S	12/2009	Andre et al.	
D619,361	S	7/2010	Andre et al.	
D622,716	S	8/2010	Andre et al.	
D627,777	S	11/2010	Akana et al.	
D633,388	S	3/2011	Andre et al.	
D637,814	S *	5/2011	Akana et al.	D3/303
D639,296	S *	6/2011	Tseng et al.	D14/345
D656,495	S	3/2012	Andre et al.	
D658,186	S	4/2012	Akana et al.	
D658,187	S	4/2012	Diebel	
D658,188	S	4/2012	Diebel	



D662,100	S *	6/2012	Van Den Nieuwenhuizen et al.	D14/440
D662,503	S	6/2012	Akana et al.	
8,245,843	B1 *	8/2012	Wu	206/320
D671,114	S *	11/2012	Akana et al.	D14/341
8,312,991	B2 *	11/2012	Diebel et al.	206/45.24
D672,353	S *	12/2012	Liu	D14/440
D672,781	S *	12/2012	Lu	D14/440
D674,800	S *	1/2013	Kim	D14/440
D676,449	S *	2/2013	Probst et al.	D14/440
D677,668	S *	3/2013	Phillips et al.	D14/440
D678,260	S *	3/2013	Bau	D14/250
D678,291	S *	3/2013	Phillips et al.	D14/440
D678,292	S *	3/2013	Phillips et al.	D14/440
D679,279	S *	4/2013	Yang et al.	D14/440
D681,033	S *	4/2013	Chen et al.	D14/345
D682,279	S *	5/2013	Fuchs	D14/440
D682,837	S *	5/2013	Lee et al.	D14/440
D682,839	S *	5/2013	Sampson et al.	D14/447
D685,799	S *	7/2013	Canizares et al.	D14/440
D685,800	S *	7/2013	Canizares et al.	D14/440
D685,801	S *	7/2013	Canizares et al.	D14/440
D685,802	S *	7/2013	Canizares et al.	D14/440
2003/0150756	A1 *	8/2003	Kajiya	206/320
2009/0107858	A1	4/2009	Huang	
2009/0159763	A1 *	6/2009	Kim	248/174
2009/0194209	A1	8/2009	De Filippis et al.	
2010/0289390	A1	11/2010	Kenney	
2010/0300909	A1	12/2010	Hung	
2011/0164365	A1	7/2011	McClure et al.	
2011/0267757	A1 *	11/2011	Probst et al.	361/679.09
2012/0140396	A1 *	6/2012	Zeliff et al.	361/679.09
2012/0194448	A1 *	8/2012	Rothkopf	345/173
2012/0211613	A1 *	8/2012	Yang et al.	248/174

FOREIGN PATENT DOCUMENTS

EM	001266266-0001	3/2011
EM	001266282-0001	3/2011
EM	001266290-0001	3/2011
GB	4020173	6/2011

OTHER PUBLICATIONS

Incase, “Introducing the Convertible Magazine Jacket for iPad,” goincase.com, accessed at <http://goincasing.com/blog/2010/11/23/introducing-the-convertible-magazine-jacket-for-ipad/>, posted Nov. 23, 2010, 7 pages.

Case-Parts, “Original Targus Folding Genuine Leather Case for Apple iPad with Built-in Holder,” <http://www.case-parts.com/details/Original-Targus-Folding-Genuine-Leather-Case-for-Apple-iPad-with-Built-in-Holder-IPAD-570/photos.htm>, 3 pages.

Design U.S. Appl. No. 29/382,846, filed Jan. 7, 2011, “Portable Display Device,” Andre et al. (not published).

Youtube.com, “iPad 2—Best Protective Case—Smart Cover + Smart Back Cover by Simplism”, (<http://www.youtube.com/watch?v=SRHhU98NAd0&feature=endscreen&NR=1>), May 15, 2011, 2 pages.

“Review: AViiQ Smart Case for iPad 2”, which was published on YouTube at <http://www.youtube.com/watch?v=DaHjzeVWEuA>, May 24, 2011, 3 pages.

“AViiQ Smart Case for iPad 2 compliments Apple’s Smart Cover (Review)”, which was published on YouTube at <http://www.youtube.com/watch?v=wMoZM-ZSn4g>, Aug. 31, 2011, 2 pages.

U.S. App. No. 29/415,145, filed Mar. 7, 2012, inventors Akana, et al. (not published).

* cited by examiner

Primary Examiner — Barbara Fox
(74) Attorney, Agent, or Firm — Sterne, Kessler, Goldstein & Fox P.L.L.C.

(57) CLAIM

The ornamental design for a portable display device with case, as shown and described.

DESCRIPTION

FIG. 1 is a top front perspective view of a portable display device with case, showing the cover in an open position, showing our new design;

FIG. 2 is a bottom rear perspective view thereof;

FIG. 3 is a front view thereof;

FIG. 4 is a rear view thereof;

FIG. 5 is a bottom view thereof;

FIG. 6 is a top view thereof;

FIG. 7 is an enlarged left side view thereof;

FIG. 8 is an enlarged right side view thereof;

FIG. 9 is a front view thereof showing the cover in a closed position;

FIG. 10 is an enlarged bottom view in two parts; and,

FIG. 11 is an enlarged top view in two parts.

The broken lines in the Figures show portions of the portable display device with case which form no part of the claimed design.

The shade lines in the Figures show contour or transparency and not surface ornamentation.

1 Claim, 8 Drawing Sheets

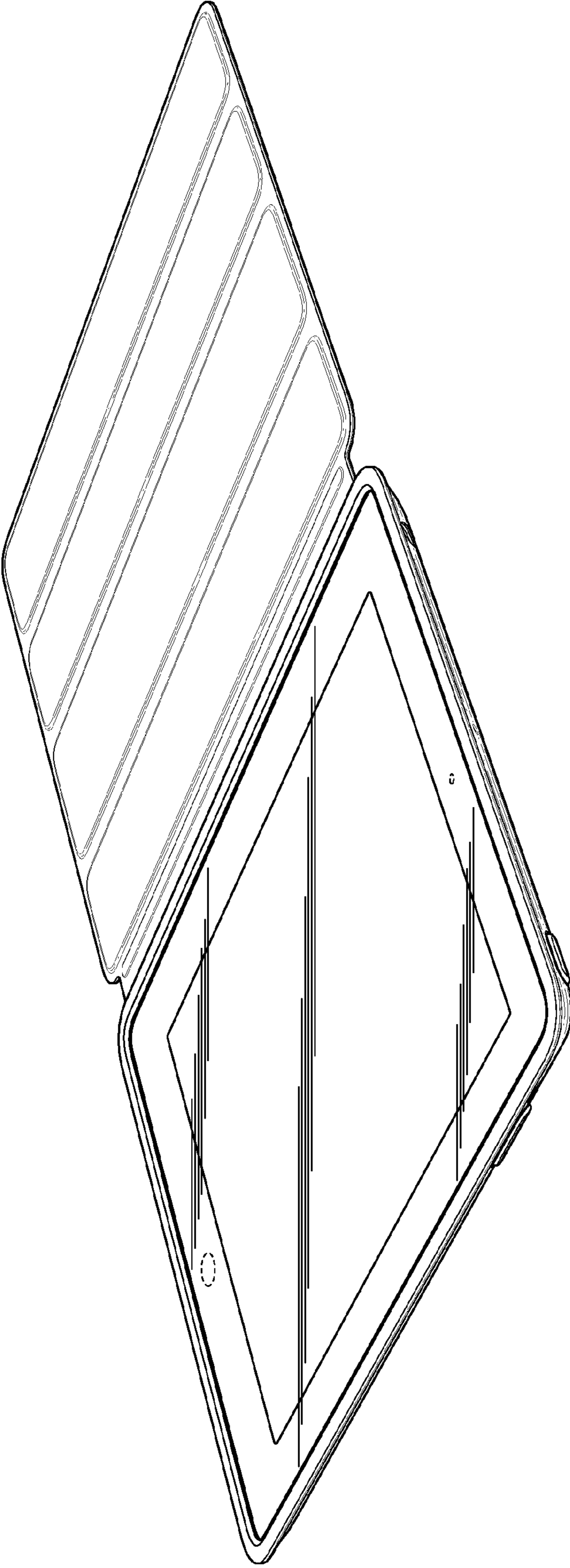


FIG. 1

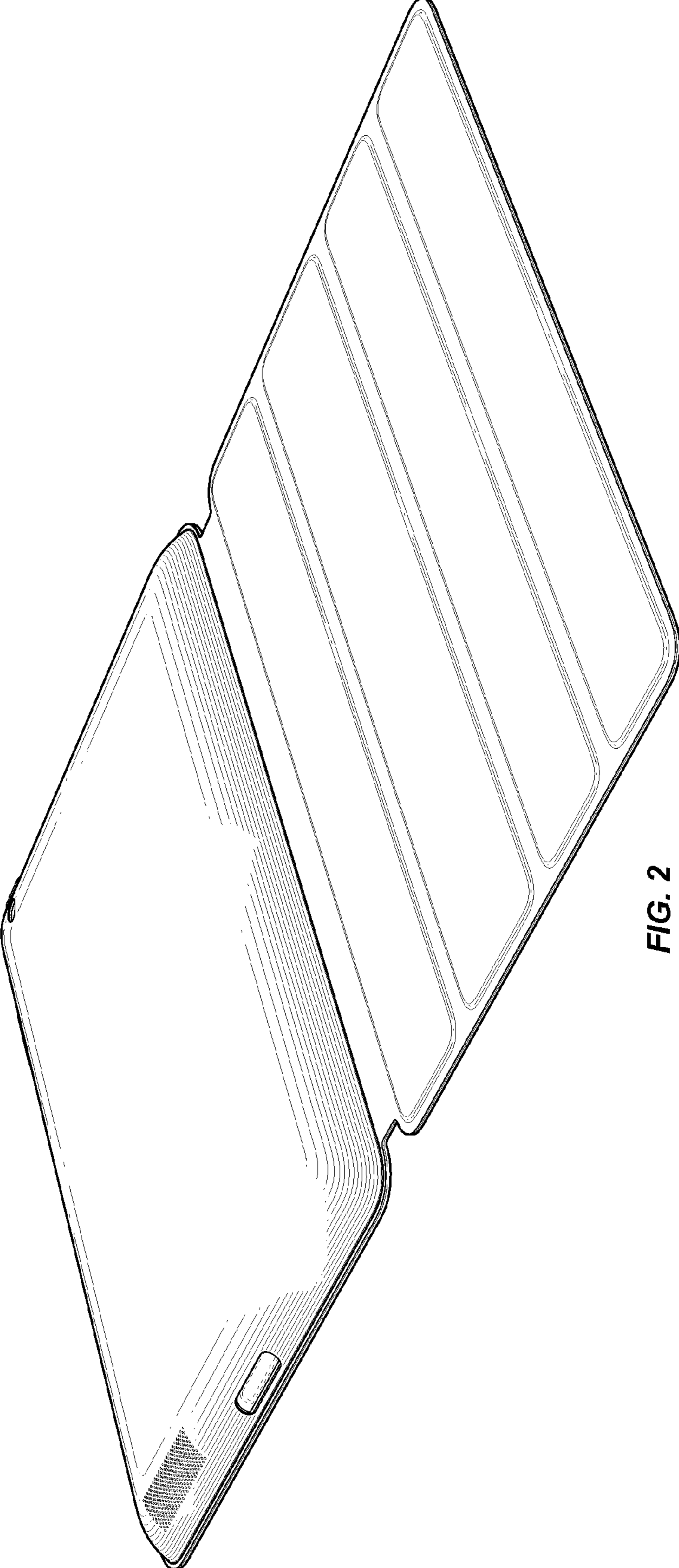


FIG. 2

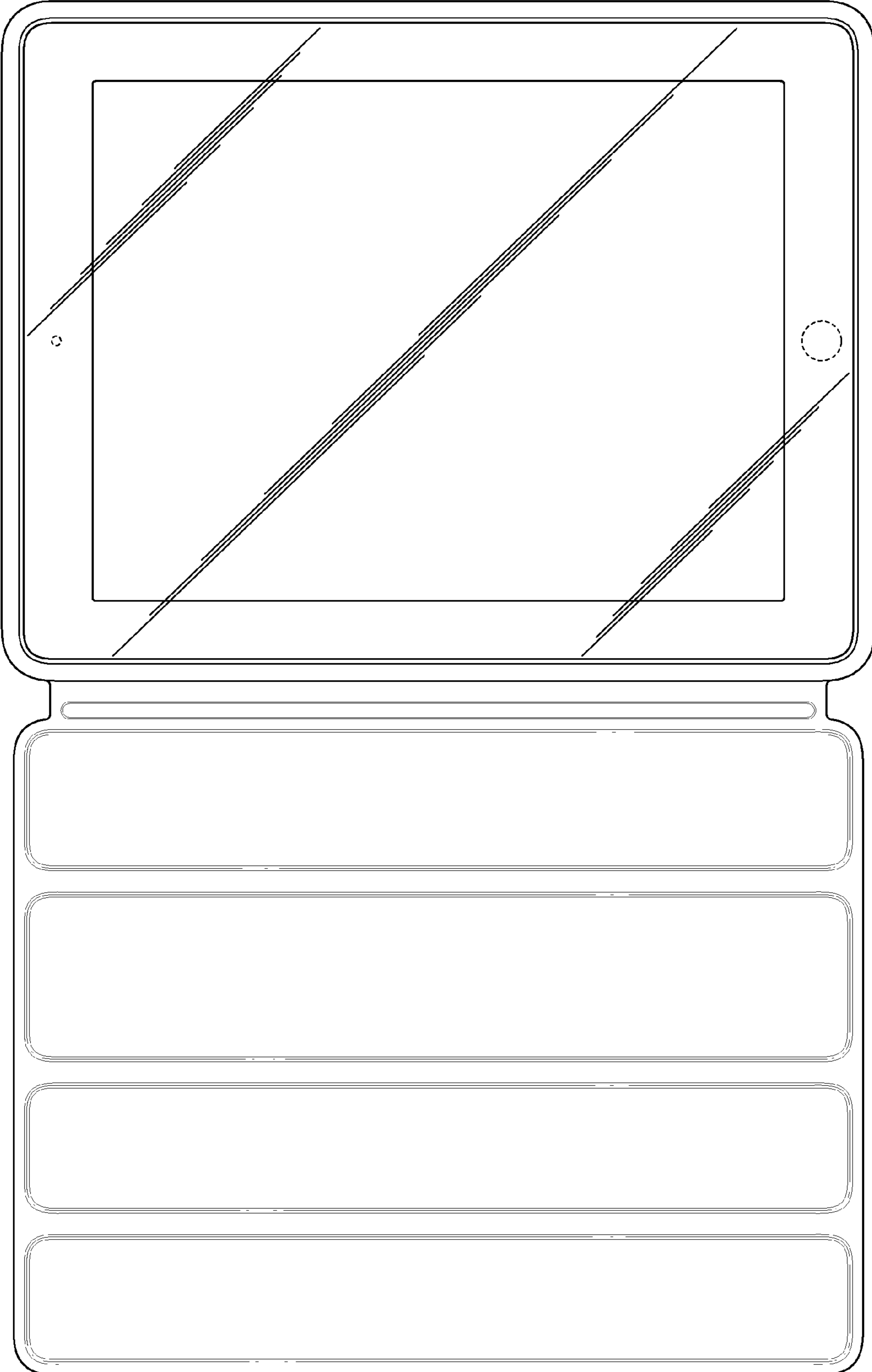


FIG. 3

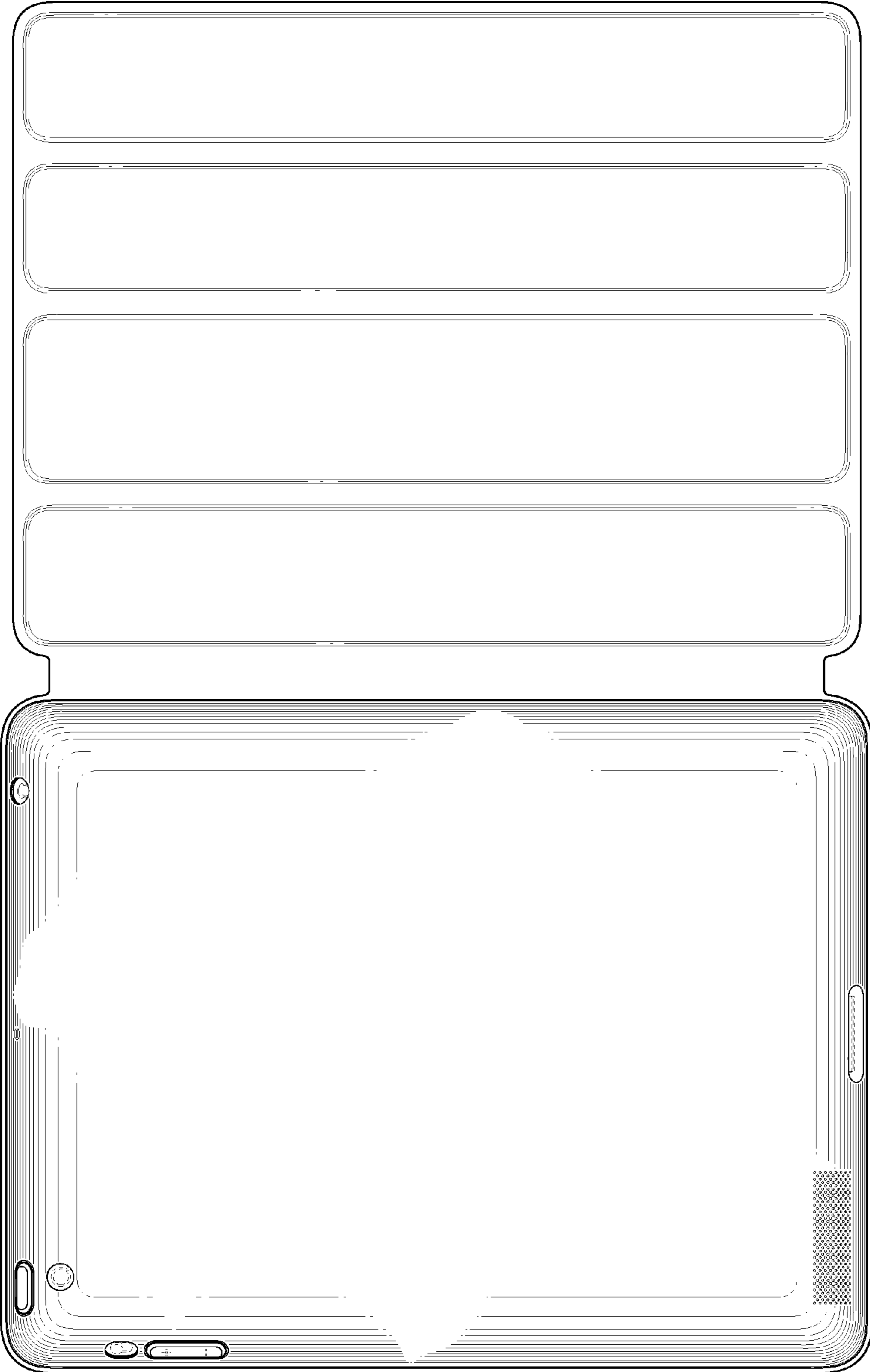


FIG. 4

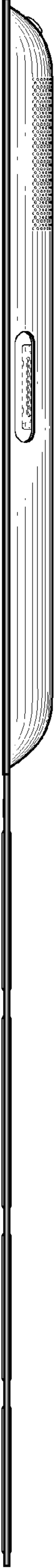


FIG. 5



FIG. 6

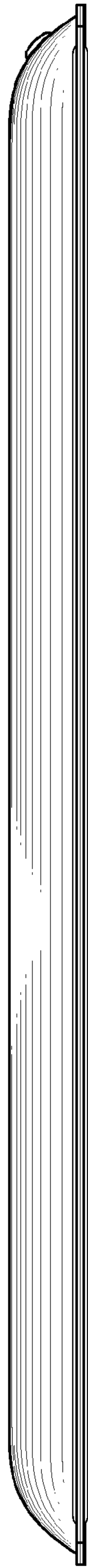


FIG. 7

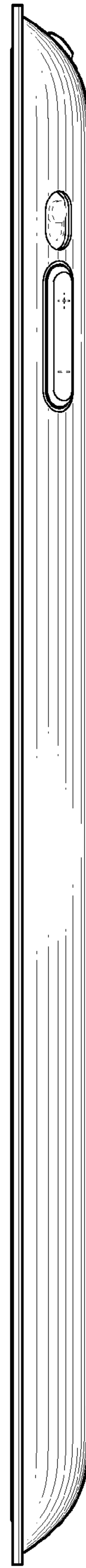


FIG. 8

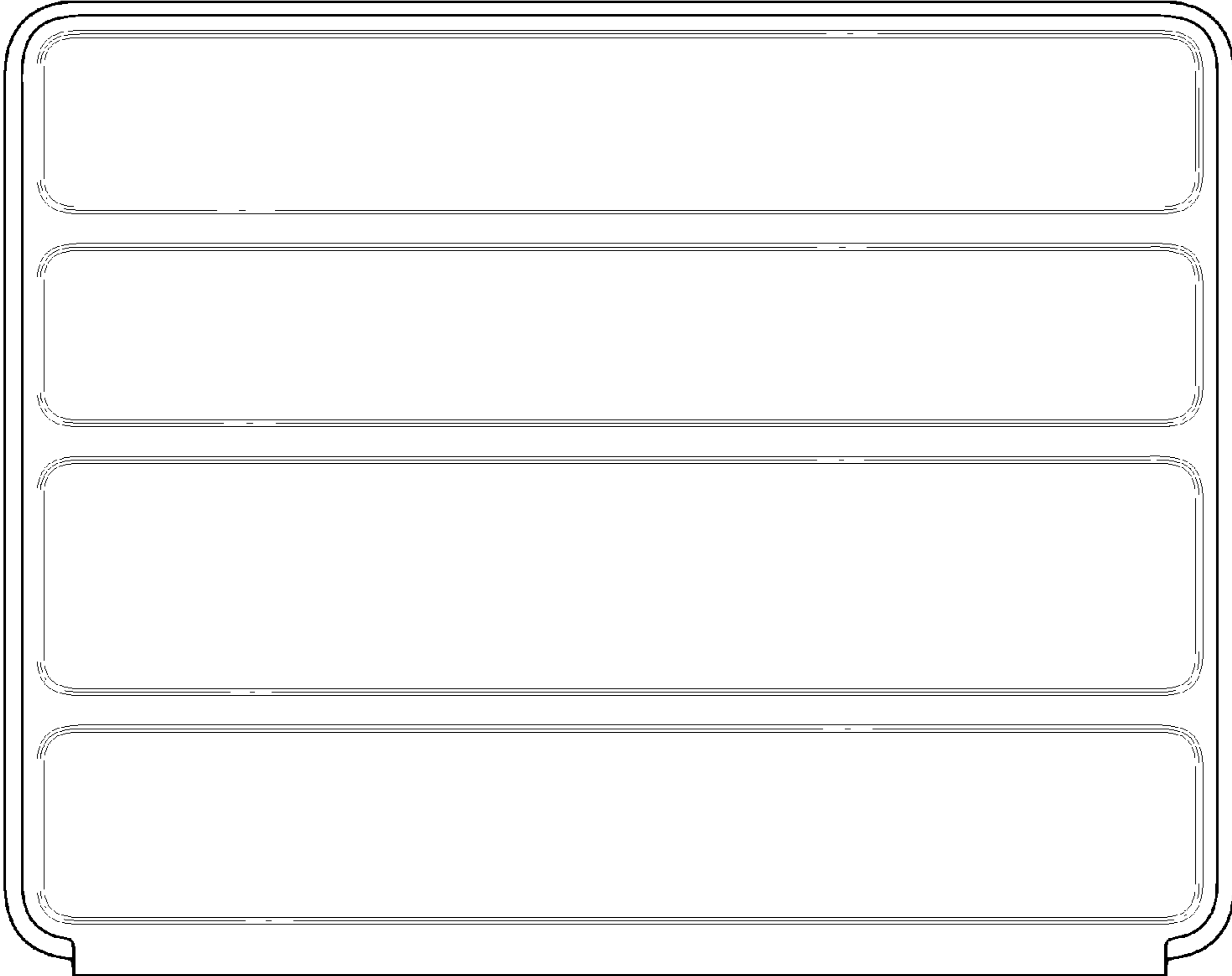


FIG. 9

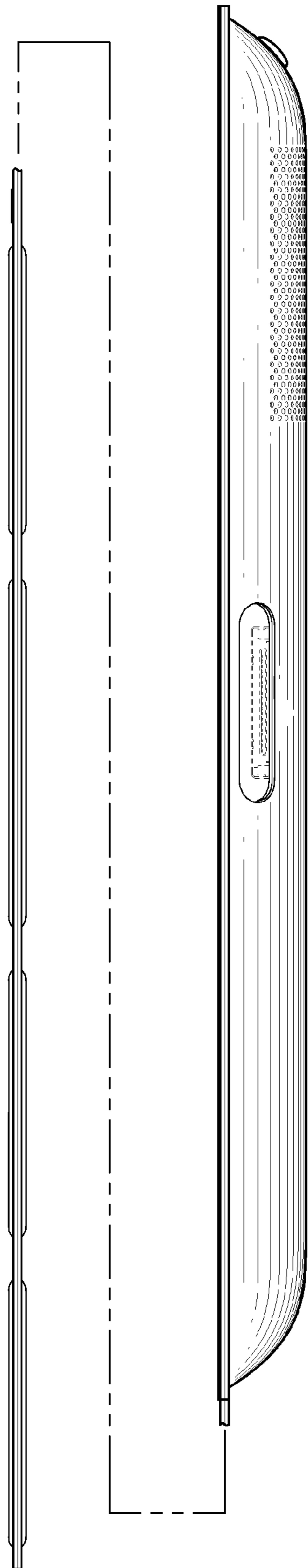


FIG. 10

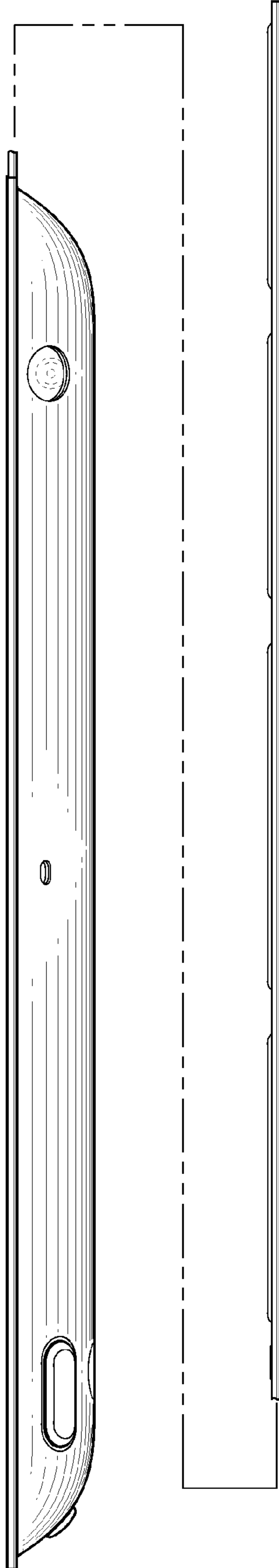


FIG. 11

UNITED STATES PATENT AND TRADEMARK OFFICE
CERTIFICATE OF CORRECTION

PATENT NO. : D713,402 S
APPLICATION NO. : 29/415927
DATED : September 16, 2014
INVENTOR(S) : Jody Akana et al.

Page 1 of 1

It is certified that error appears in the above-identified patent and that said Letters Patent is hereby corrected as shown below:

On the Title Page 2, item (57) Under the "DESCRIPTION"

- Line 2, change "cover" to --case--;
- Line 11, change "cover" to --case--; and
- Line 16, change "which" to --and--.

Signed and Sealed this
Thirtieth Day of December, 2014



Michelle K. Lee
Deputy Director of the United States Patent and Trademark Office