



US00D713400S

(12) **United States Design Patent**
Kanou

(10) **Patent No.:** **US D713,400 S**

(45) **Date of Patent:** **** Sep. 16, 2014**

(54) **DIGITAL VIDEO DISC PLAYER FOR
AUTOMOBILE**

(71) Applicant: **JVC Kenwood Corporation**, Kanagawa
(JP)

(72) Inventor: **Kenichi Kanou**, Kanagawa (JP)

(73) Assignee: **JVC Kenwood Corporation**, Kanagawa
(JP)

(**) Term: **14 Years**

(21) Appl. No.: **29/470,091**

(22) Filed: **Oct. 17, 2013**

(30) **Foreign Application Priority Data**

May 14, 2013 (JP) 2013-010491

(51) **LOC (10) Cl.** **14-03**

(52) **U.S. Cl.**
USPC **D14/258**

(58) **Field of Classification Search**

USPC D12/82, 192, 195, 415; D14/131, 132,
D14/137, 155, 157, 167-172, 188, 197, 198,
D14/239, 257, 258, 345-355, 400, 496,
D14/498-505, 511; D16/202, 206;
D21/329-332, 669, 670, 696;
360/99.02, 99.07; 369/6-12, 75.11,
369/75.21, 77.11; 455/344, 348-355,
455/575.9; 720/612, 619, 649, 655

See application file for complete search history.

(56) **References Cited**

U.S. PATENT DOCUMENTS

D606,095 S *	12/2009	Tomono	D14/496
D608,230 S *	1/2010	Sugita	D10/65
D622,734 S *	8/2010	Miyawaki	D14/502
D627,244 S *	11/2010	Nakane et al.	D10/65
D653,132 S *	1/2012	Shimizu	D10/65
D673,472 S *	1/2013	Sugita	D10/65
D687,807 S *	8/2013	Tomono	D14/168
D689,384 S *	9/2013	Morikawa	D10/65
D691,499 S *	10/2013	Koiwa	D10/65
D693,704 S *	11/2013	Katsuno	D10/65

* cited by examiner

Primary Examiner — Stella Reid

Assistant Examiner — Janice Lim

(74) *Attorney, Agent, or Firm* — Osha Liang LLP

(57) **CLAIM**

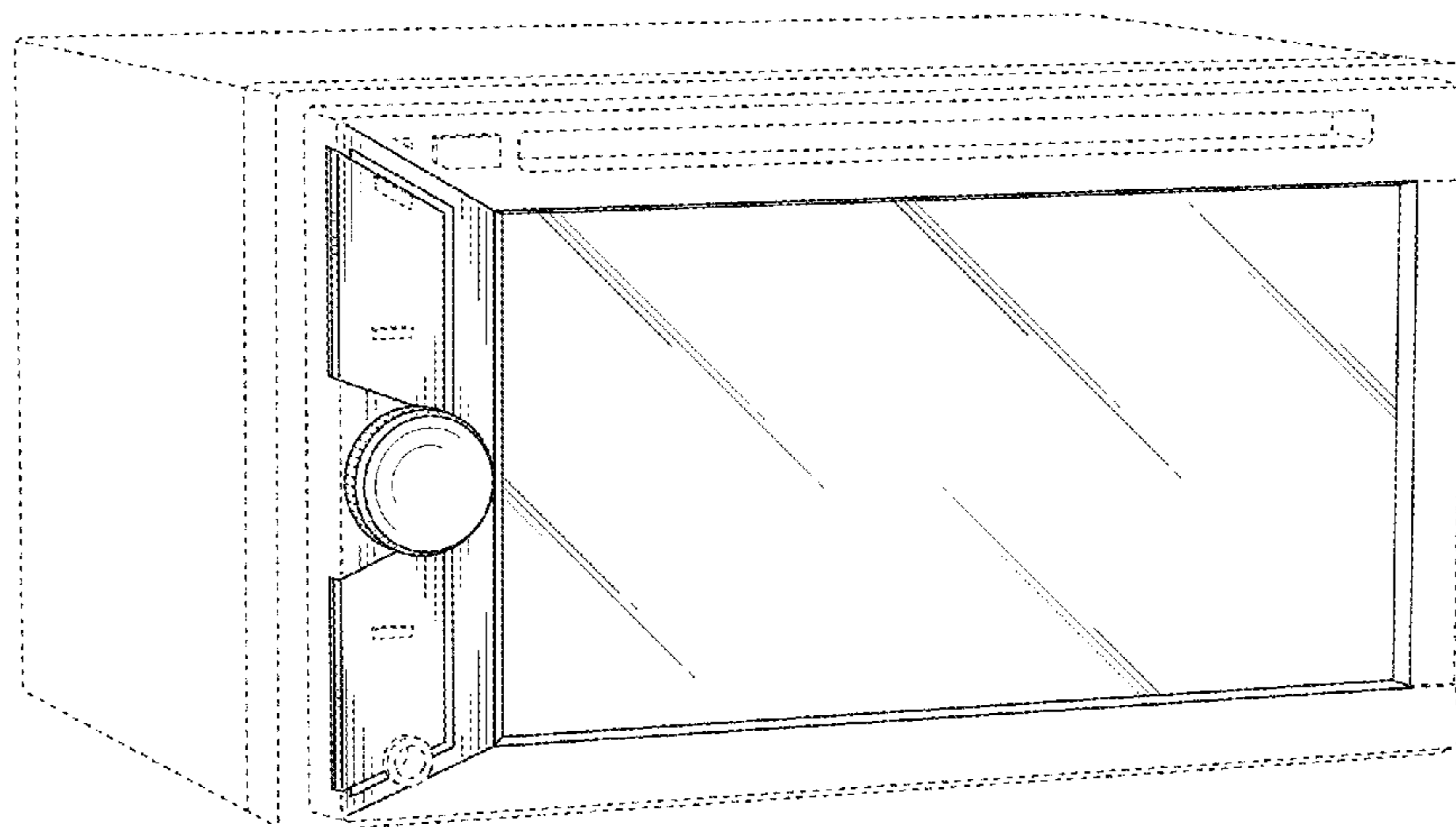
The ornamental design for digital video disc player for automobile, as shown and described.

DESCRIPTION

FIG. 1 is a perspective view of front, left and top of digital video disc player for automobile showing my new design; FIG. 2 is a front view thereof; FIG. 3 is a rear view thereof; FIG. 4 is a left side view thereof; FIG. 5 is a right side view thereof; FIG. 6 is a top view thereof; and, FIG. 7 is a bottom view thereof.

The broken lines shown are included for the purpose of illustrating the unclaimed portions of digital video disc player for automobile and form no part of the claimed design. The broken lines immediately adjacent the shaded areas represent the bounds of the claimed design while all other broken lines are directed to unclaimed environment and are for illustrative purposes only.

1 Claim, 5 Drawing Sheets



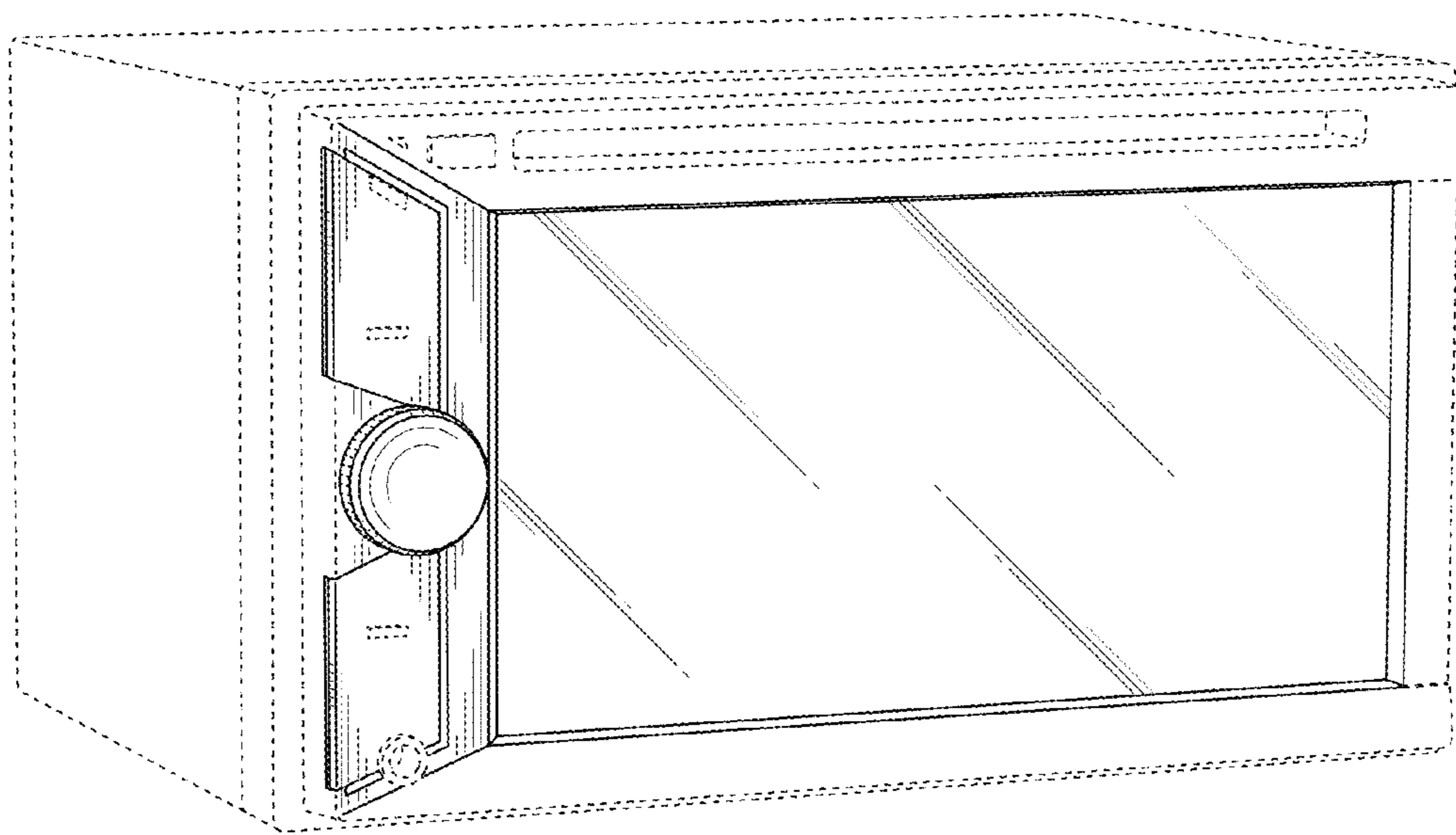


FIG. 1

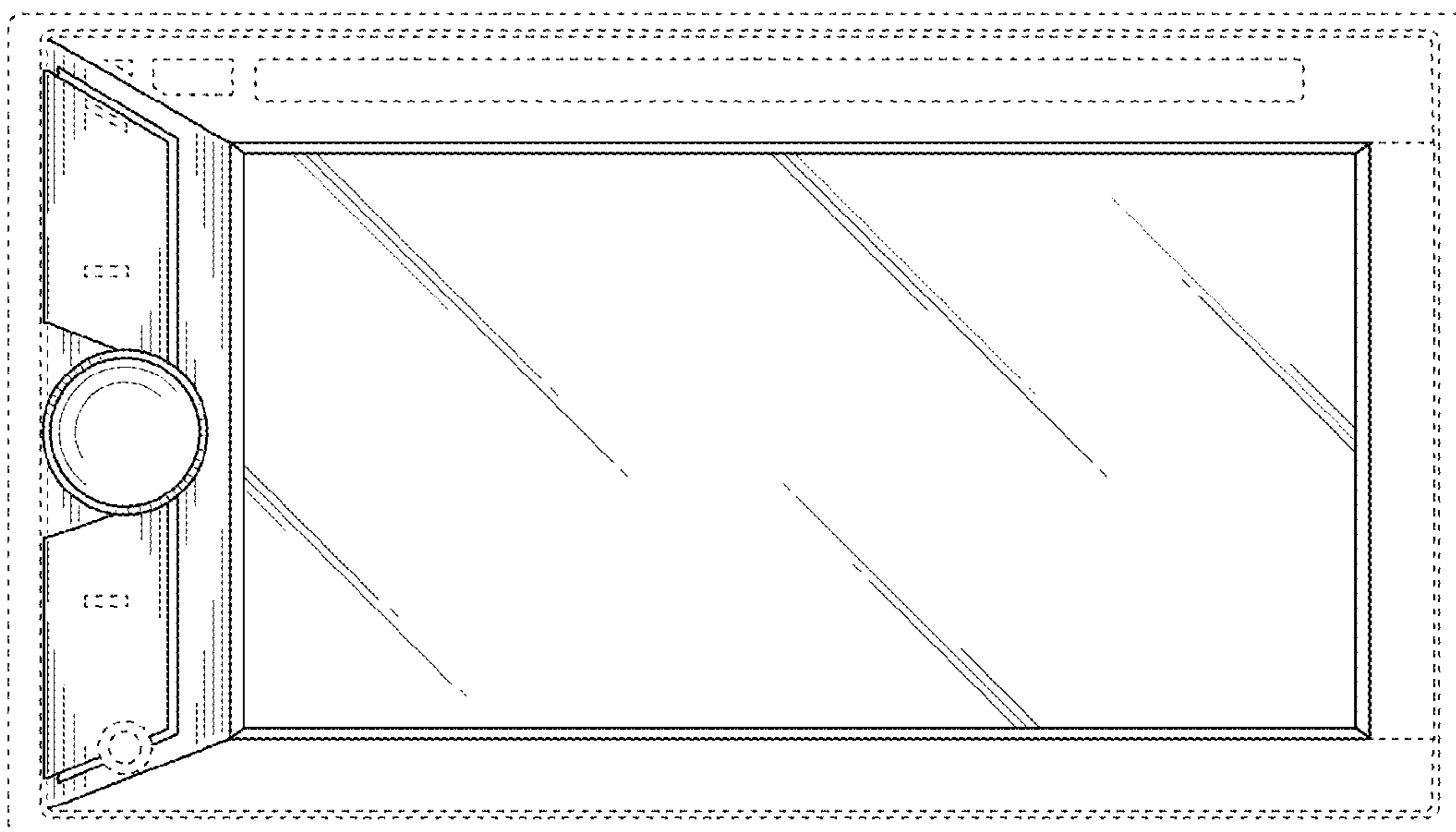


FIG. 2



FIG. 3



FIG. 4

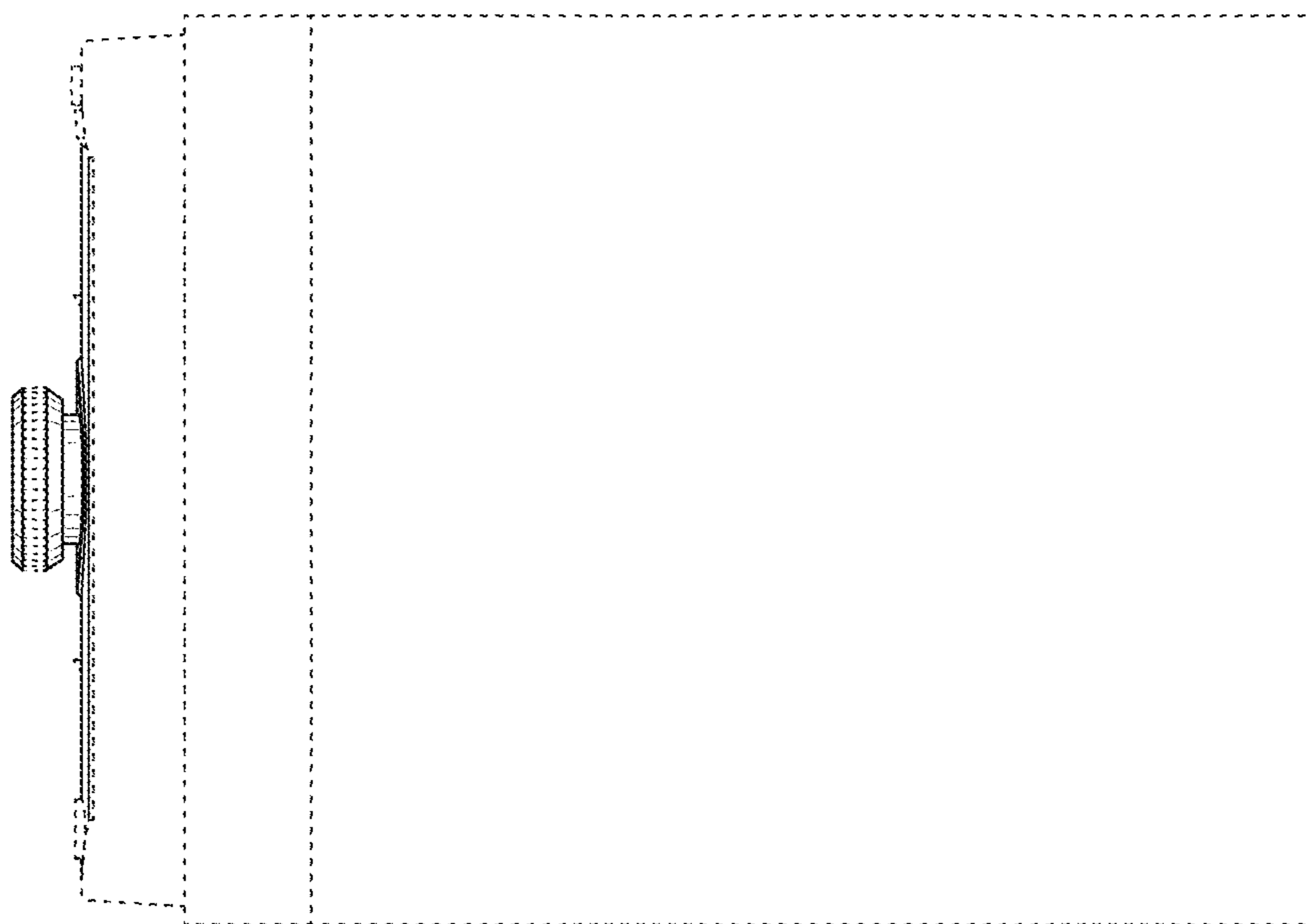


FIG. 5



FIG. 6

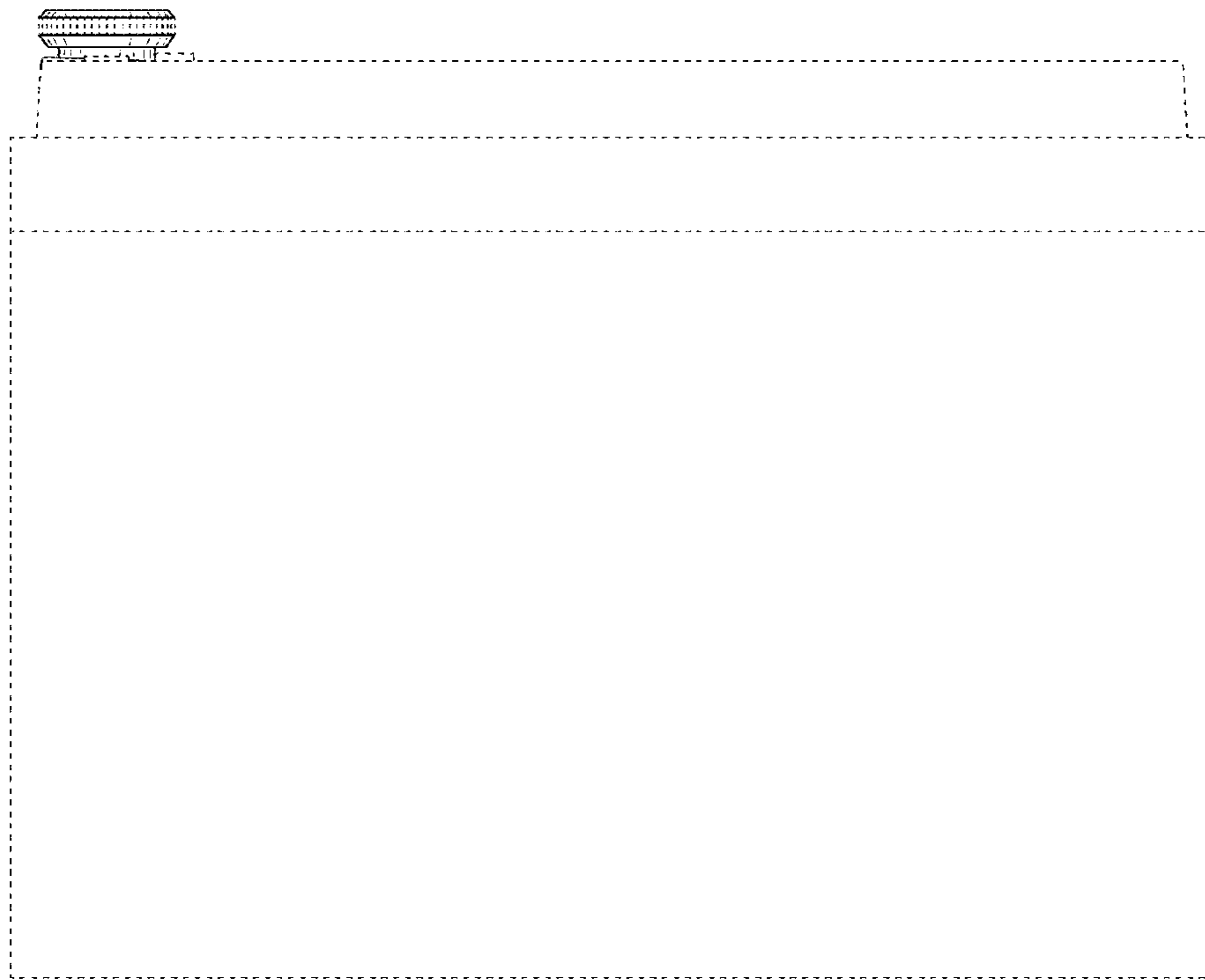


FIG. 7