



US00D713399S

(12) **United States Design Patent**
Green

(10) **Patent No.:** **US D713,399 S**

(45) **Date of Patent:** **** Sep. 16, 2014**

(54) **STAND FOR CELL PHONE OR PORTABLE COMPUTING DEVICE**

(71) Applicant: **Andrew Bradford Green**, Mt. Pleasant, SC (US)

(72) Inventor: **Andrew Bradford Green**, Mt. Pleasant, SC (US)

(**) Term: **14 Years**

(21) Appl. No.: **29/479,938**

(22) Filed: **Jan. 22, 2014**

(51) **LOC (10) Cl.** **14-03**

(52) **U.S. Cl.**
USPC **D14/253**; D14/447

(58) **Field of Classification Search**
USPC D14/137, 140, 140.8, 142, 204, 209.1, D14/217, 221, 243-256, 434, 440, 444-447, D14/238.1; D8/400-404, 499; D2/861; D3/215, 218, 304, 269; D6/467, 300, D6/310, 553-574; D25/318; 292/342, 343; 248/188.2; 348/373, 376; 455/573, 455/575.1, 575.9; D19/87, 90; D13/107, D13/108

See application file for complete search history.

(56) **References Cited**

U.S. PATENT DOCUMENTS

D365,105 S * 12/1995 Aubuchon et al. D14/240
D476,171 S * 6/2003 Hirano D6/466
D525,616 S * 7/2006 Andre et al. D14/224.1
D553,106 S * 10/2007 Griffin D14/434

D554,115 S * 10/2007 Liu et al. D14/253
D554,116 S * 10/2007 Liu et al. D14/253
D610,084 S * 2/2010 Christopher D13/107
D623,591 S * 9/2010 Wisniewski D13/108
D635,918 S * 4/2011 Le et al. D13/108
D646,268 S * 10/2011 DeLorenzo et al. D14/253
D648,725 S * 11/2011 Akana et al. D14/434
D664,958 S * 8/2012 McManigal D14/434
D665,812 S * 8/2012 Huang et al. D14/447
D668,605 S * 10/2012 Park D13/108
2012/0229973 A1* 9/2012 Ting 361/679.56
2012/0229974 A1* 9/2012 Ting 361/679.56

* cited by examiner

Primary Examiner — Susan Bennett Hattan

Assistant Examiner — Janice Hallmark

(74) *Attorney, Agent, or Firm* — Wayne Edward Ramage; Baker Donalson

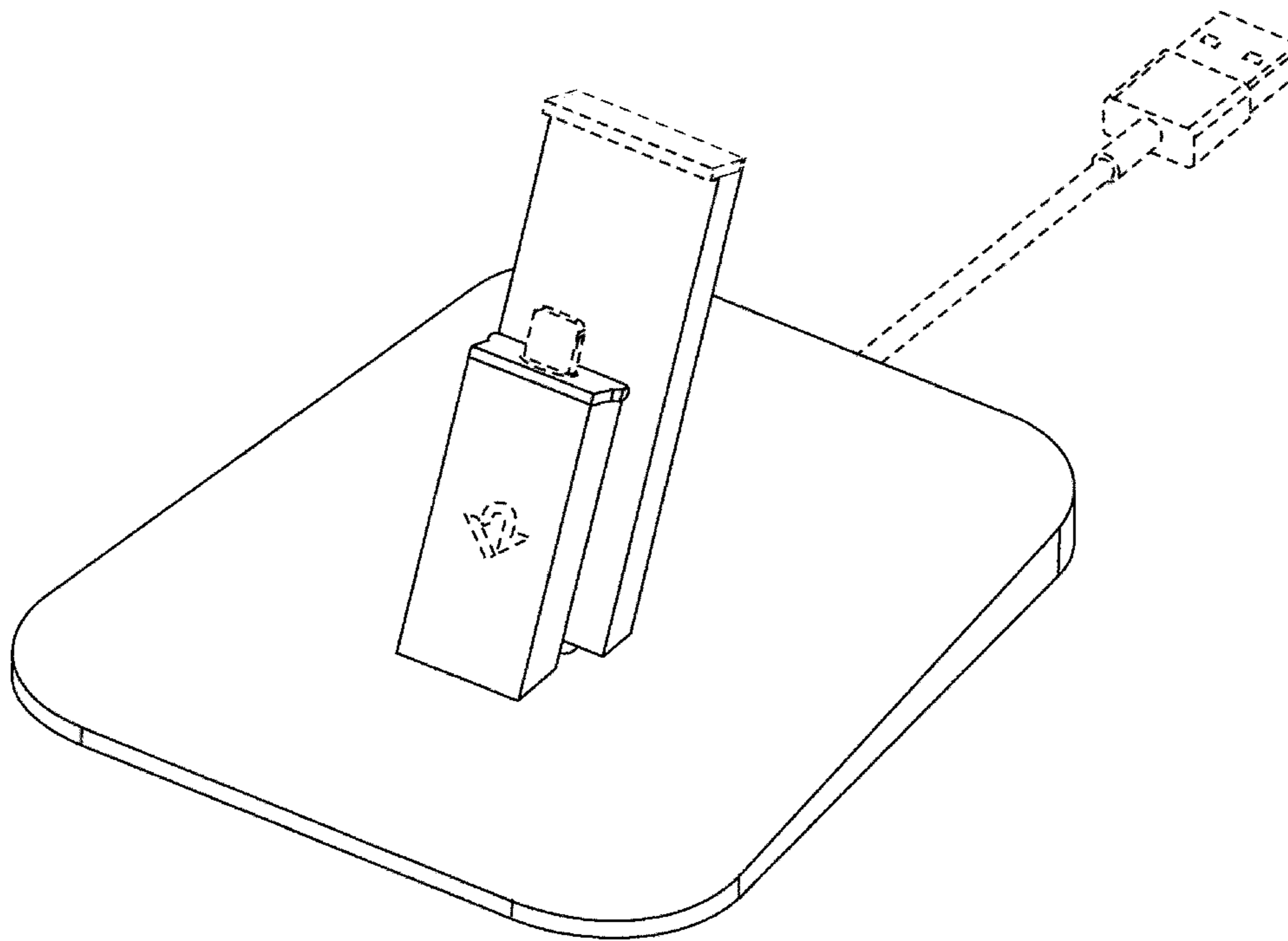
(57) **CLAIM**

The ornamental design for a stand for a cell phone or portable computing device, as shown and described.

DESCRIPTION

FIG. 1 is a front perspective view of the new design;
FIG. 2 is a front view thereof;
FIG. 3 is a back view thereof;
FIG. 4 is a left side view thereof (the right side view is a mirror image);
FIG. 5 is a top view thereof; and,
FIG. 6 is a bottom view thereof.
The broken lines in the drawings depict environmental subject matter and are for illustrative purposes only and form no part of the claimed design.

1 Claim, 6 Drawing Sheets



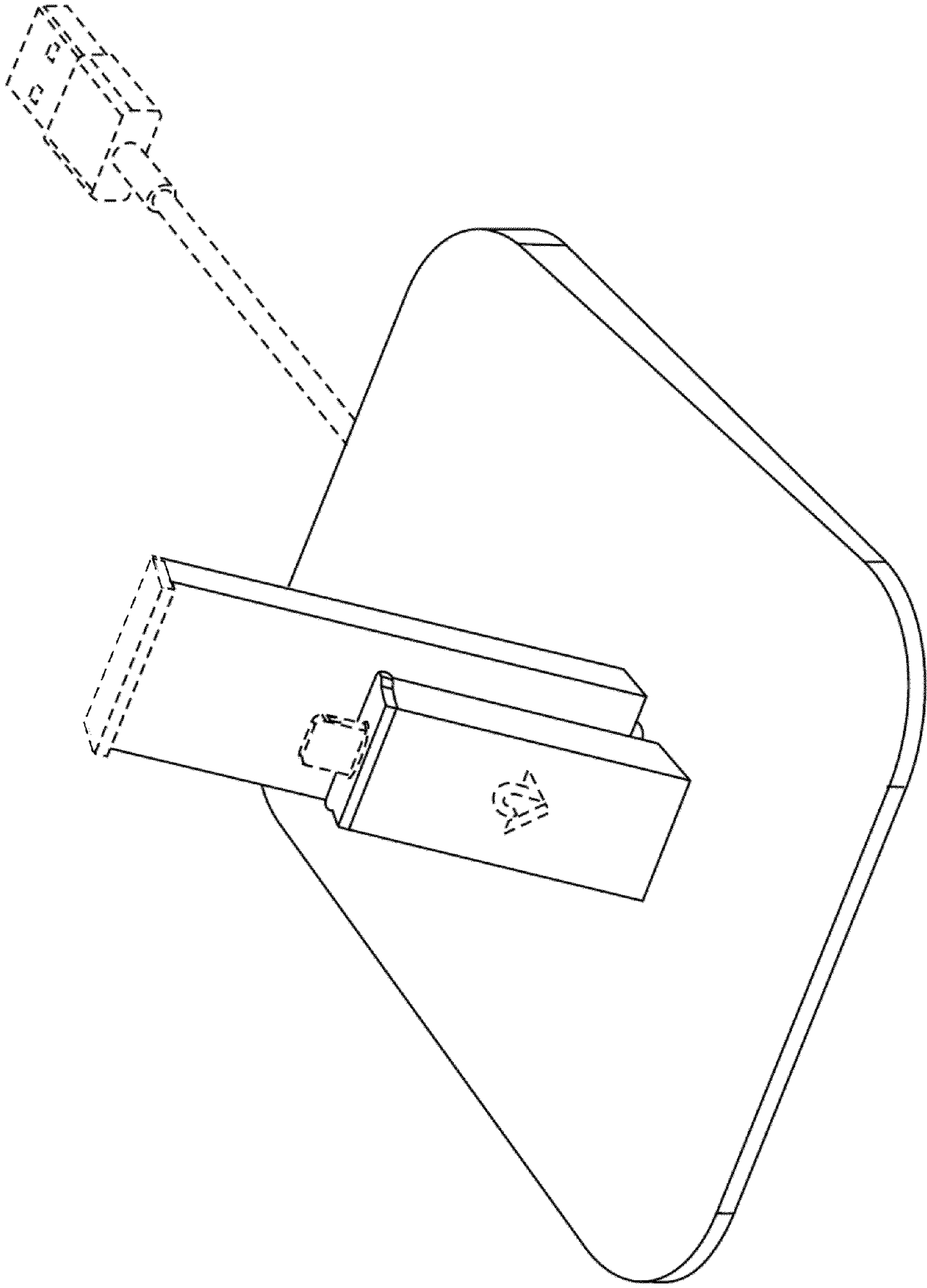


FIG. 1

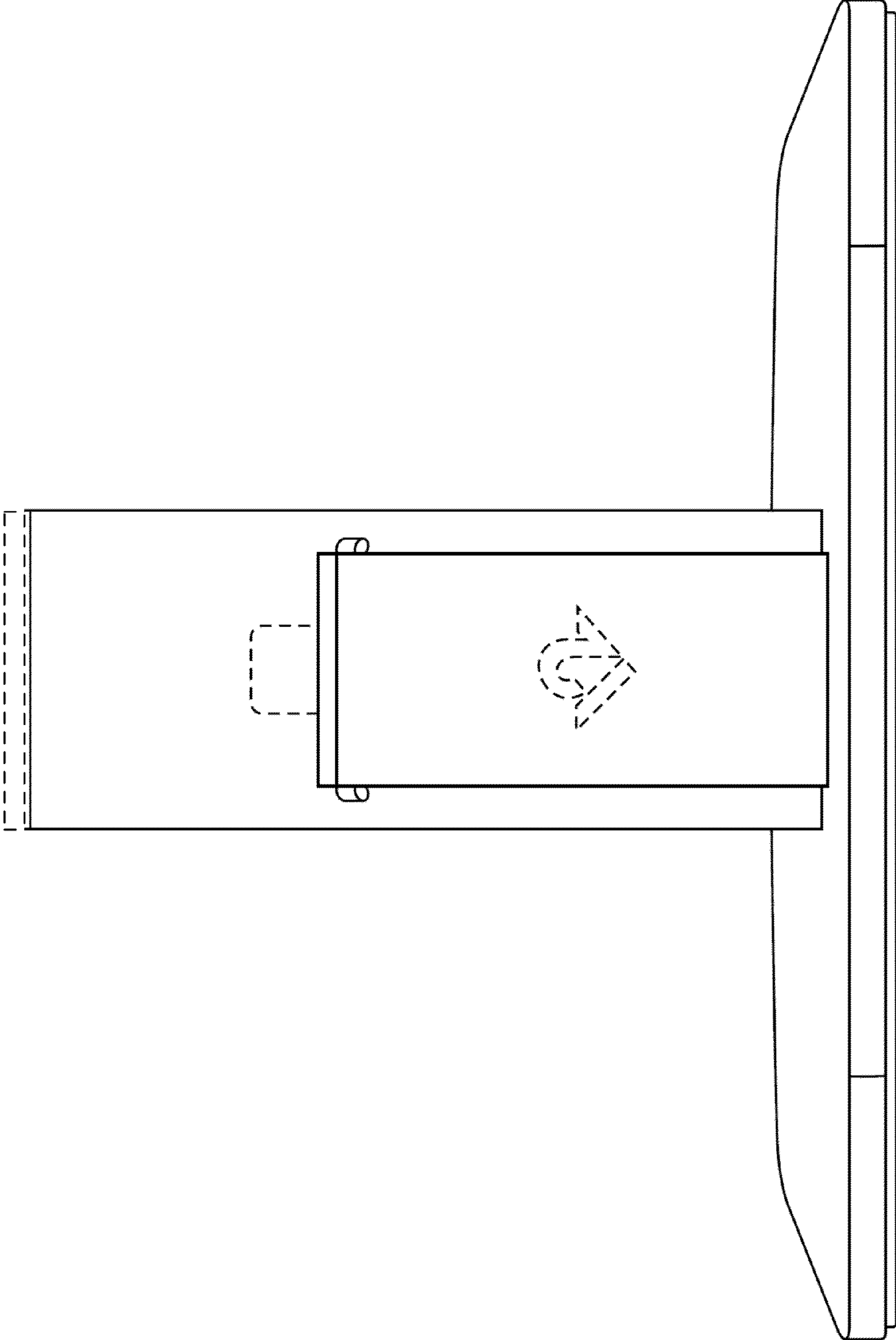


FIG. 2

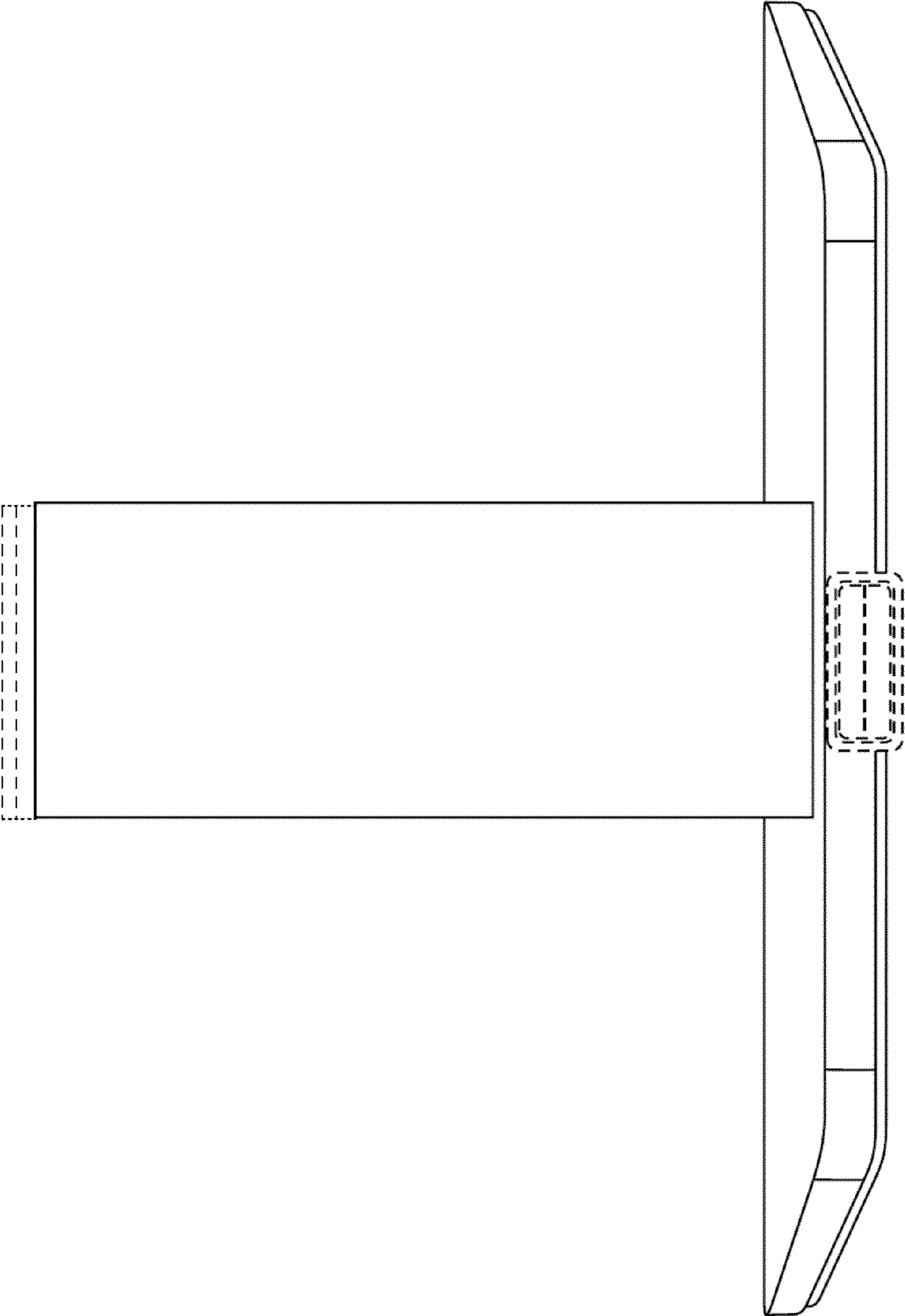


FIG. 3

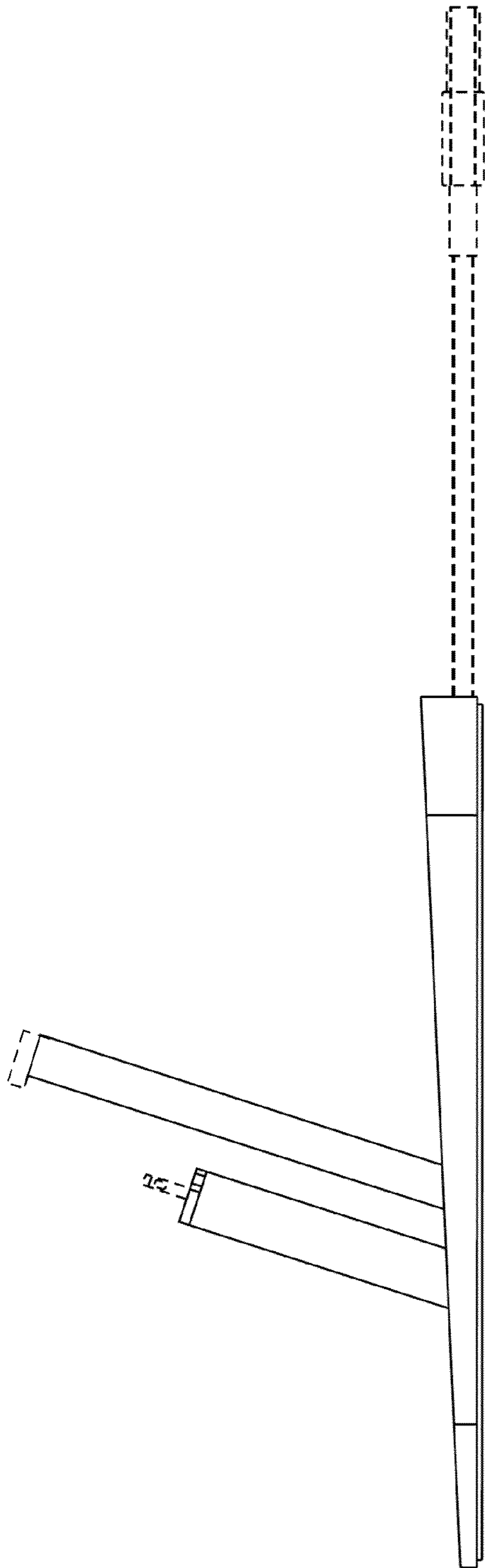


FIG. 4

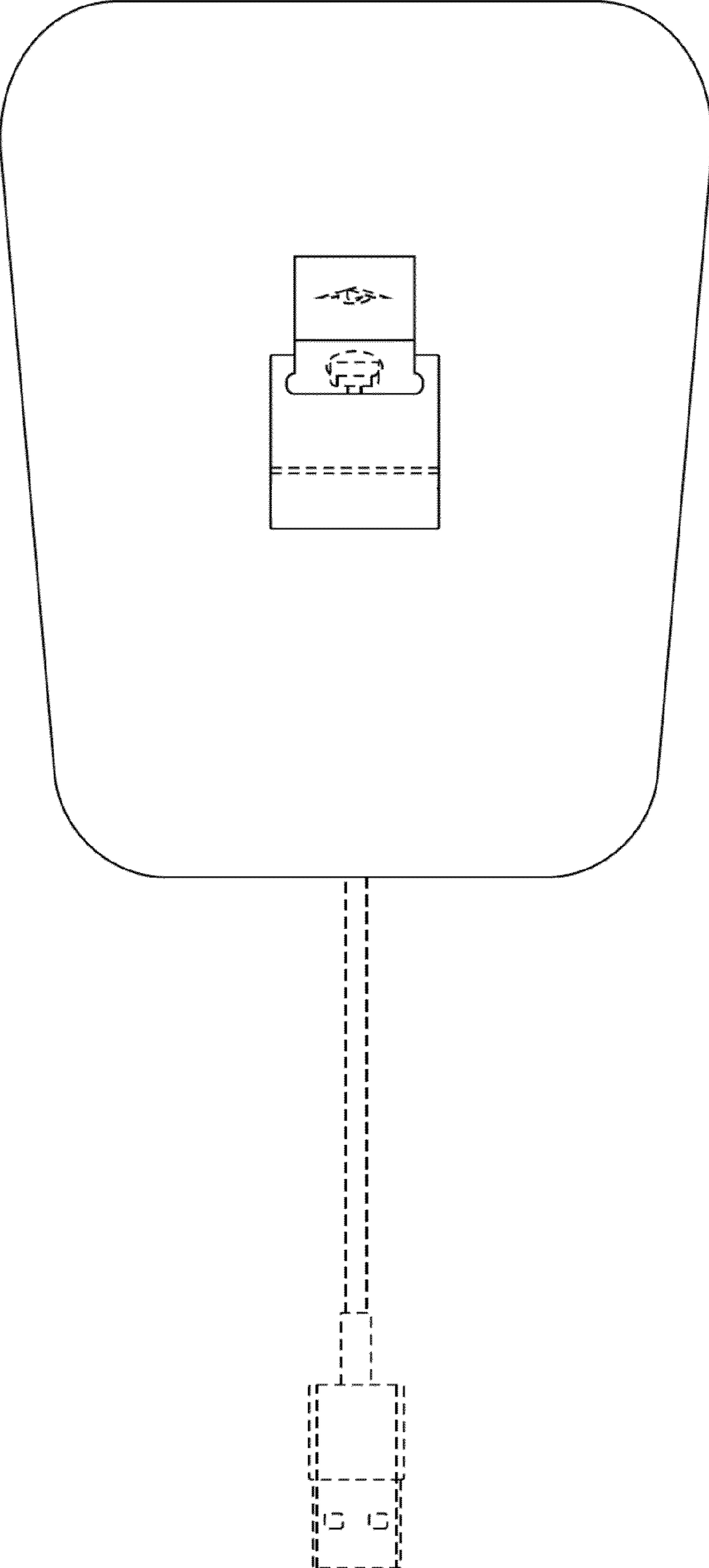


FIG. 5

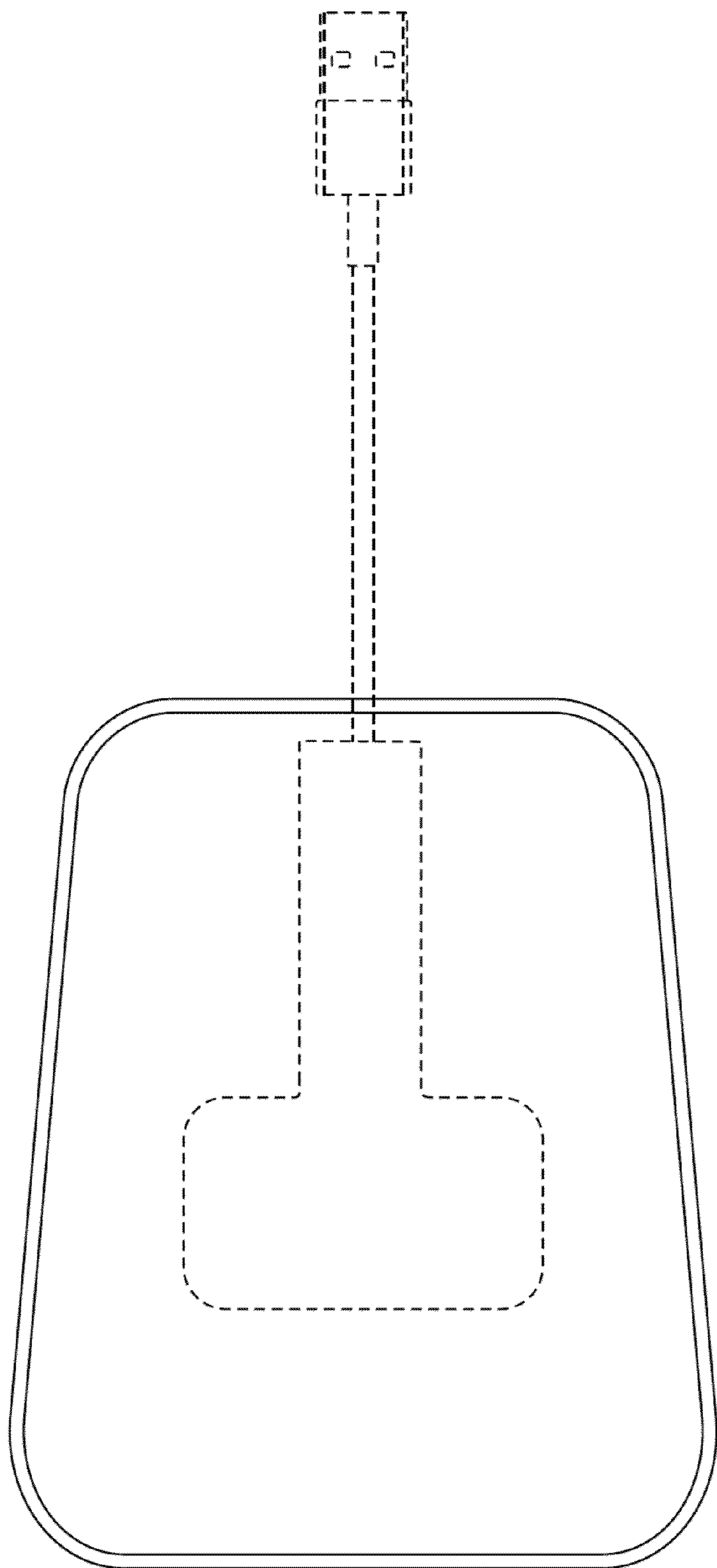


FIG. 6