



US00D713398S

(12) **United States Design Patent**
Alesi et al.

(10) **Patent No.:** **US D713,398 S**

(45) **Date of Patent:** **** Sep. 16, 2014**

(54) **CELL PHONE HOLDER**

(71) Applicant: **Custom Accessories Inc.**, Richmond, IL (US)

(72) Inventors: **Vincent Anthony Alesi**, Richmond, IL (US); **Anthony Salvatore Ferenzi**, Richmond, IL (US)

(73) Assignee: **Custom Accessories Inc.**, Richmond, IL (US)

(**) Term: **14 Years**

(21) Appl. No.: **29/453,019**

(22) Filed: **Apr. 24, 2013**

(51) **LOC (10) Cl.** **14-03**

(52) **U.S. Cl.**
USPC **D14/253**

(58) **Field of Classification Search**
USPC D14/208, 209.1, 217, 238.1, 243, D14/250-253, 434, 440, 447, 496, D14/203.3-203.7, 248, 240, 341-347; D3/201, 215, 218, 226, 269, 273, 301, D3/303; D19/90; D6/553; 455/575.1, 455/575.8; 206/305, 320; 320/108, 115; 429/96; 220/4.02; 150/165; 361/679.56, 679.3, 679.25, 816; 379/426, 446, 455, 433.1; 224/411; D12/223, 407

See application file for complete search history.

(56) **References Cited**

U.S. PATENT DOCUMENTS

D499,092 S * 11/2004 Fan D14/253
D570,836 S * 6/2008 Chen D14/253

D646,674 S * 10/2011 Liao D14/253
D694,228 S * 11/2013 Richter D14/253
D703,657 S * 4/2014 Carnevali D14/253

* cited by examiner

Primary Examiner — Susan Bennett Hattan

Assistant Examiner — Janice Hallmark

(74) *Attorney, Agent, or Firm* — Leydig, Voit & Mayer, Ltd.

(57) **CLAIM**

The ornamental design for a cell phone holder, as shown and described.

DESCRIPTION

FIG. 1 is a perspective view taken from the top, front, and right side of a cell phone holder connected to a suction mount showing our new design;

FIG. 2 is a perspective view taken from the top, front, and left side of the cell phone holder of FIG. 1 connected to a vent mount;

FIG. 3 is a perspective view taken from the top, front, and right side of the cell phone holder of FIG. 1 and FIG. 2 while unmounted;

FIG. 4 is a front elevational view of the cell phone holder of FIG. 3;

FIG. 5 is a rear elevational view of the cell phone holder of FIG. 3;

FIG. 6 is a left side view of the cell phone holder of FIG. 3;

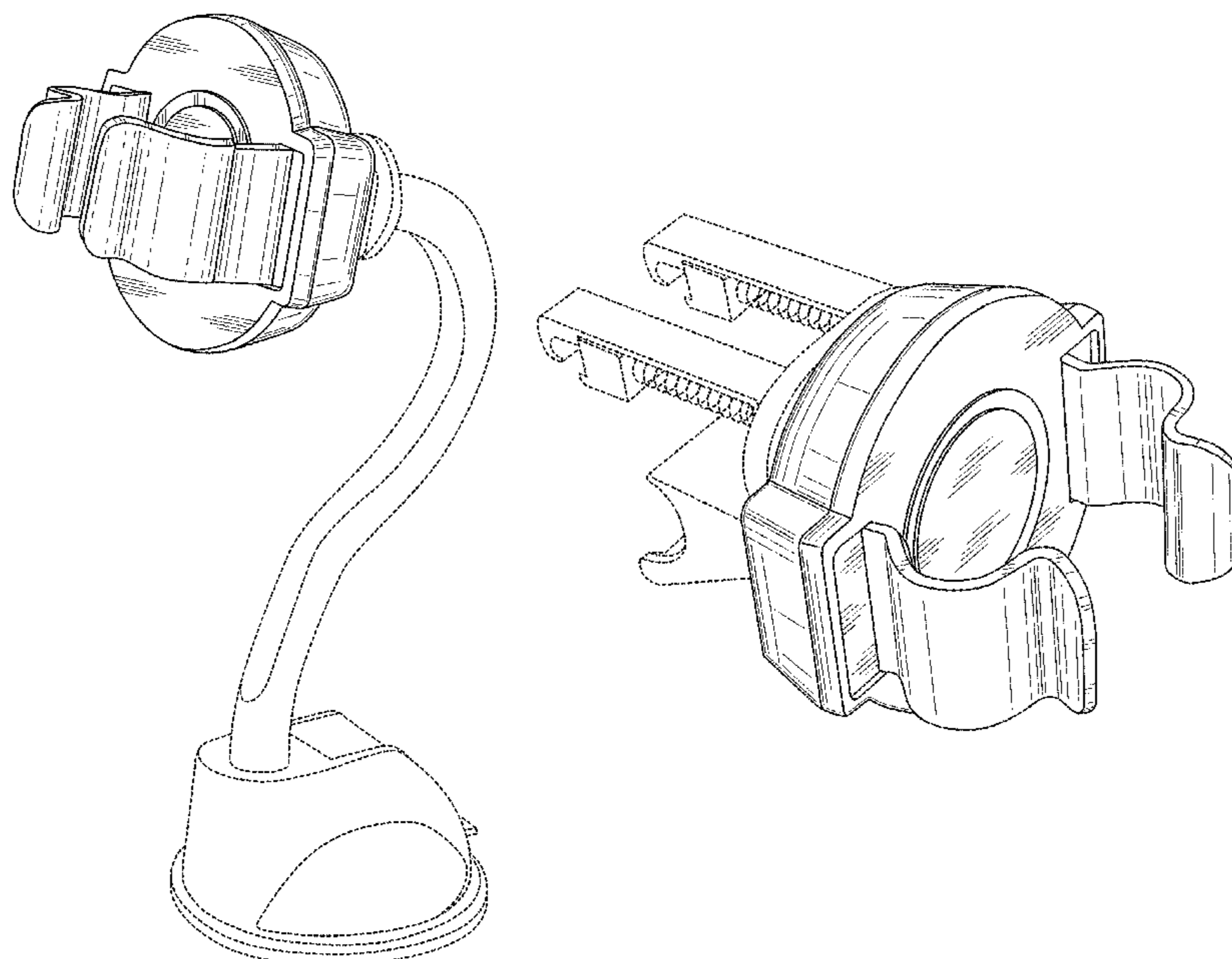
FIG. 7 is a right side view of the cell phone holder of FIG. 3;

FIG. 8 is a top view of the cell phone holder of FIG. 3; and,

FIG. 9 is a bottom view of the cell phone holder of FIG. 3.

The dash-dash broken lines depict unclaimed environment; the dash-dot-dash lines depict boundaries of the claim; all broken lines form no part of the claimed design.

1 Claim, 7 Drawing Sheets



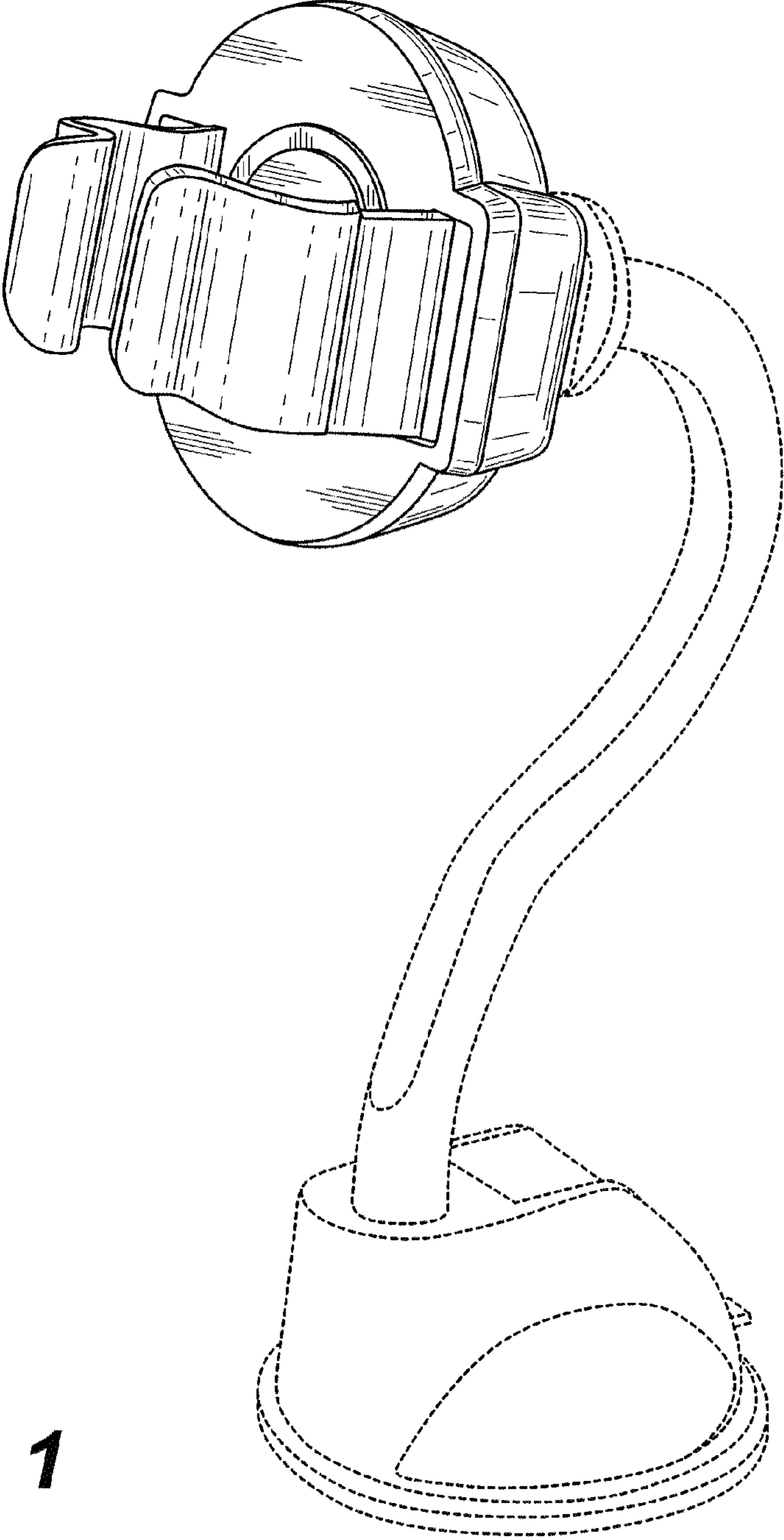


FIG. 1

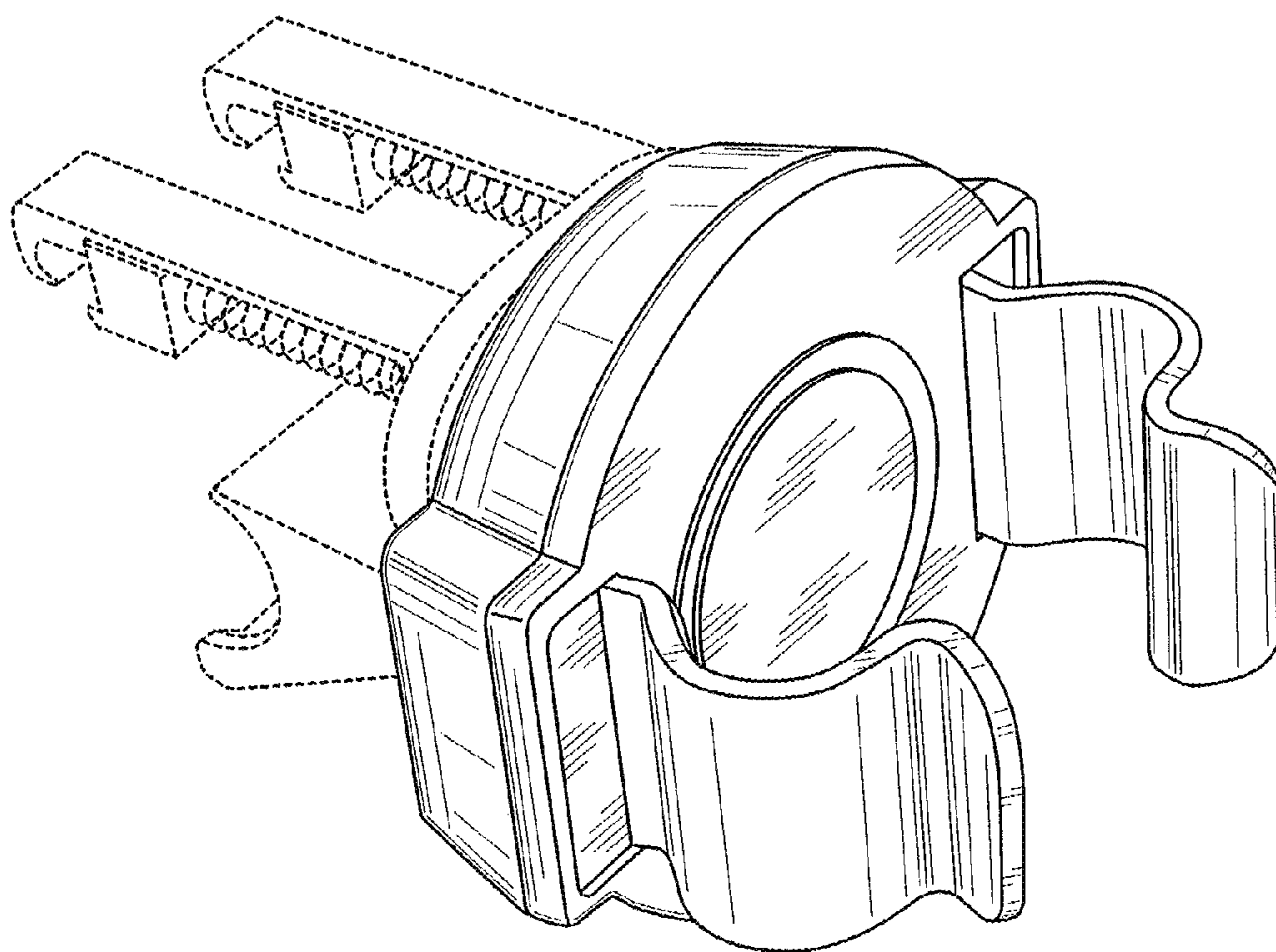


FIG. 2

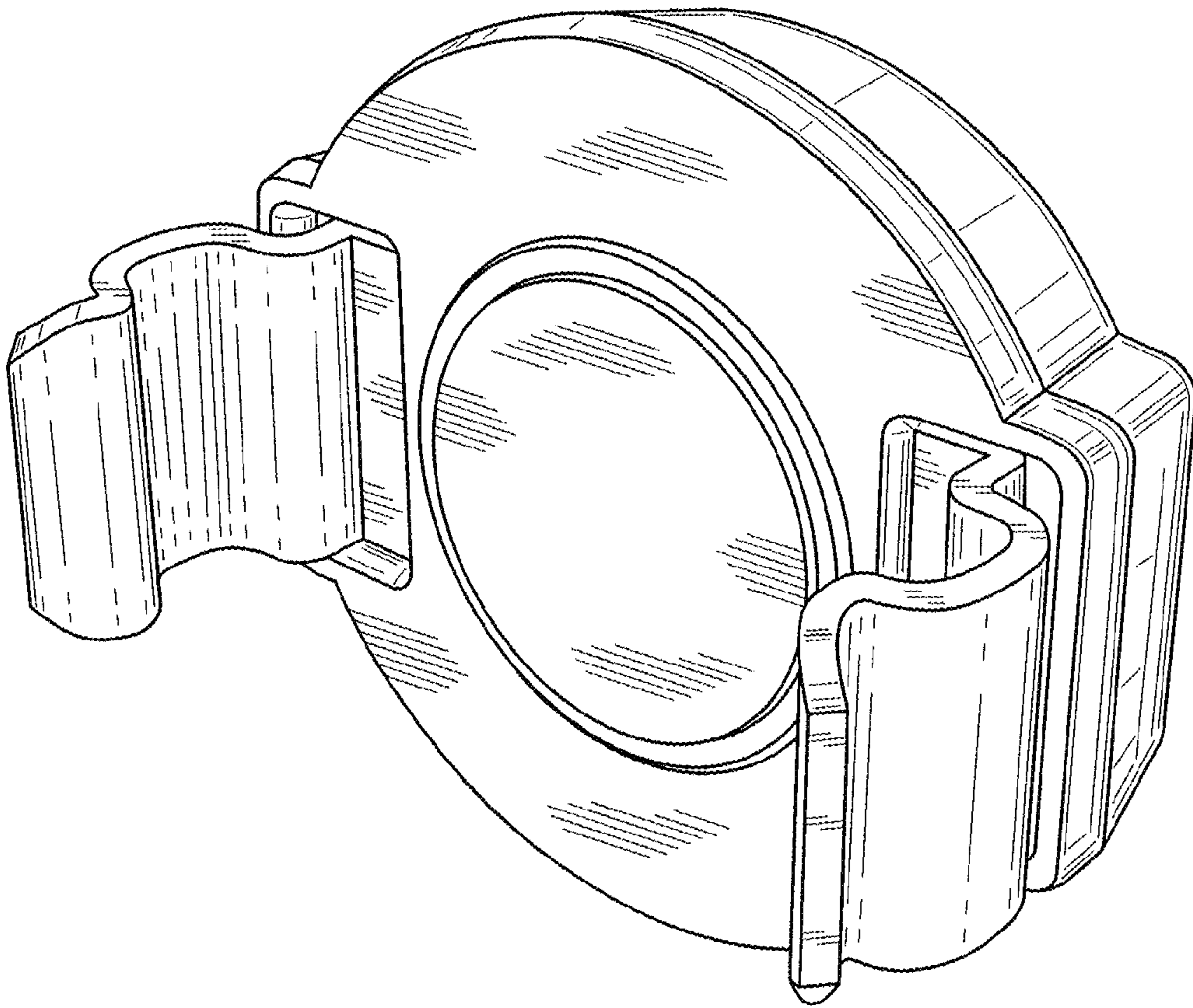


FIG. 3

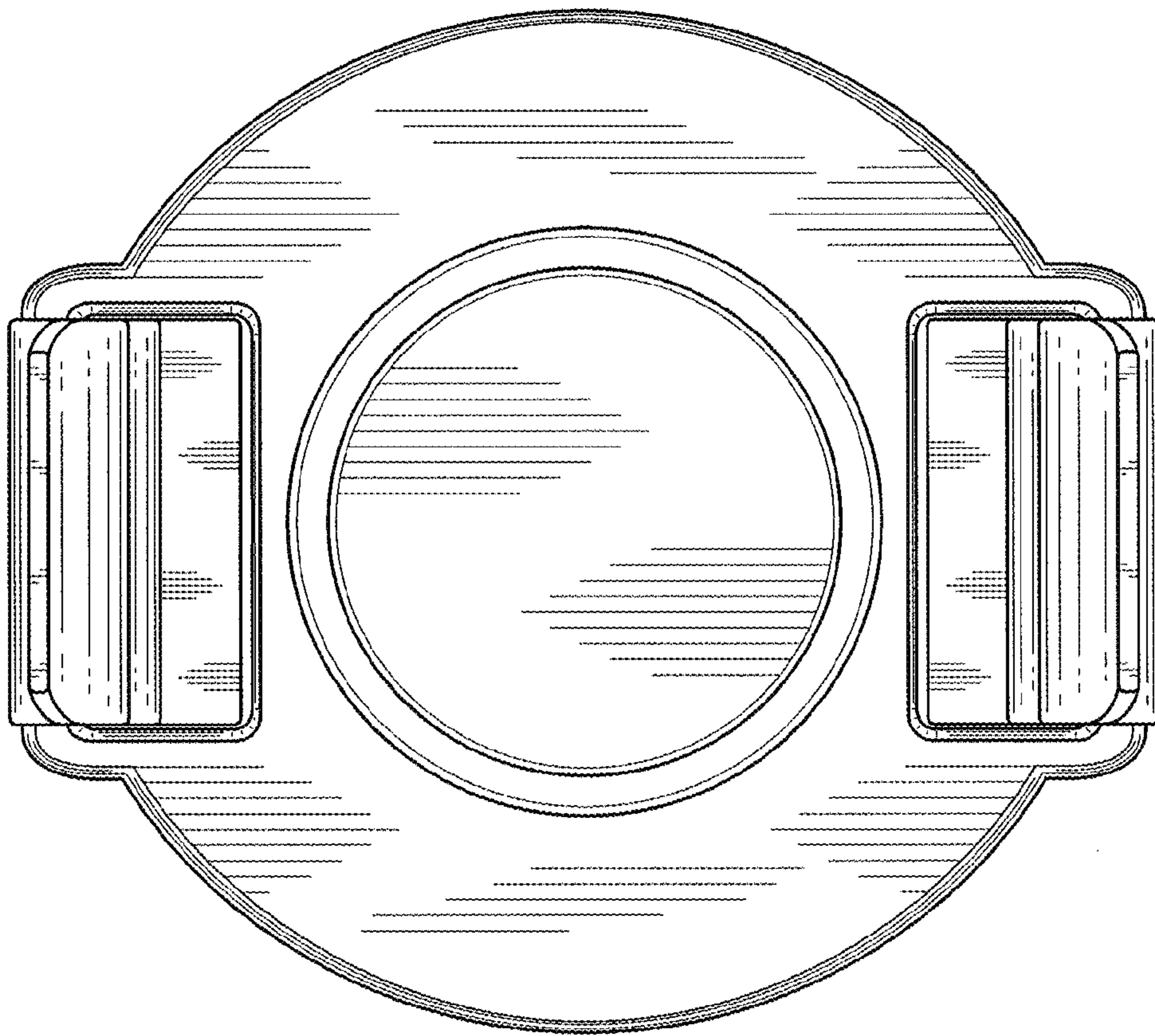


FIG. 4

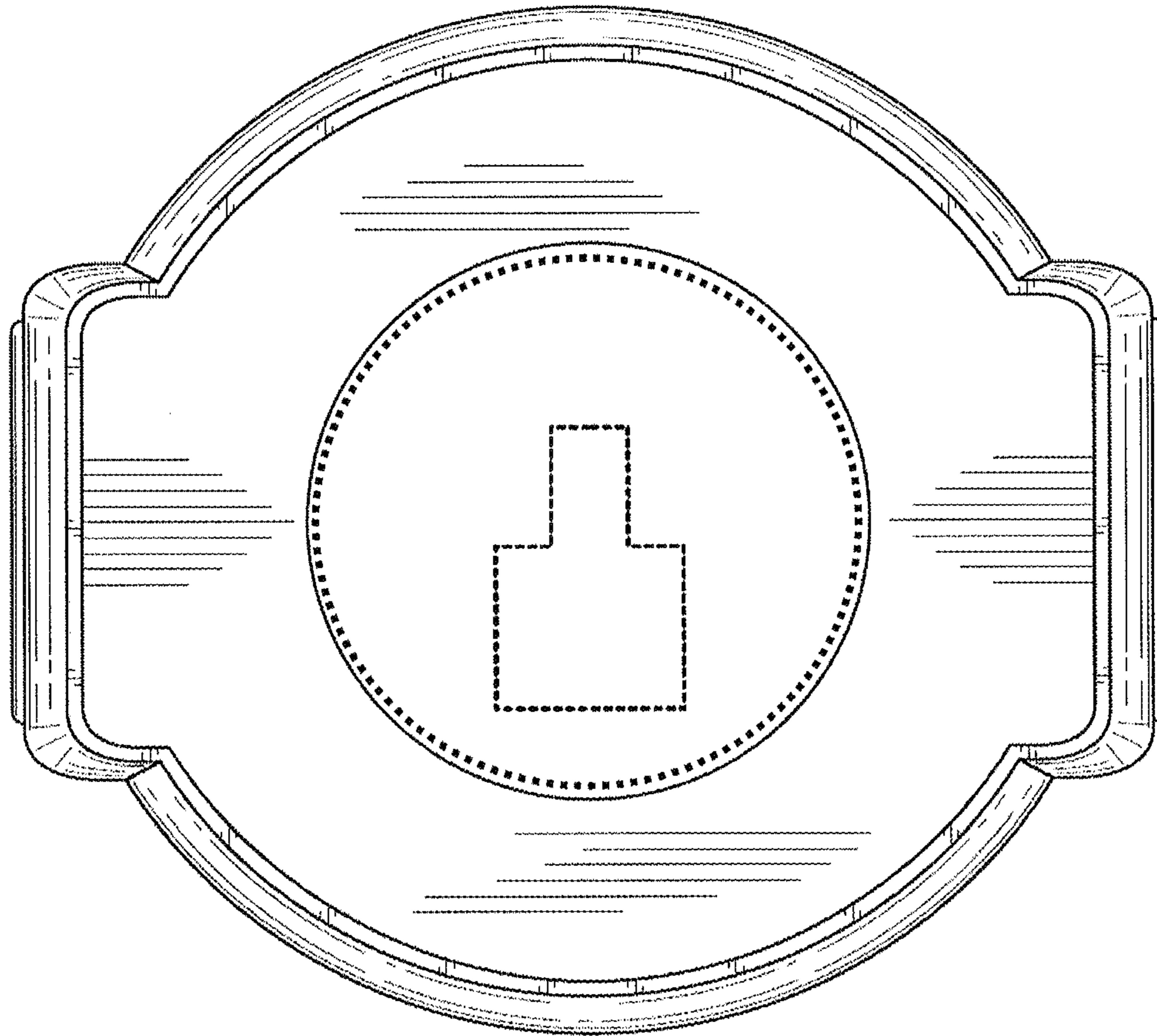


FIG. 5

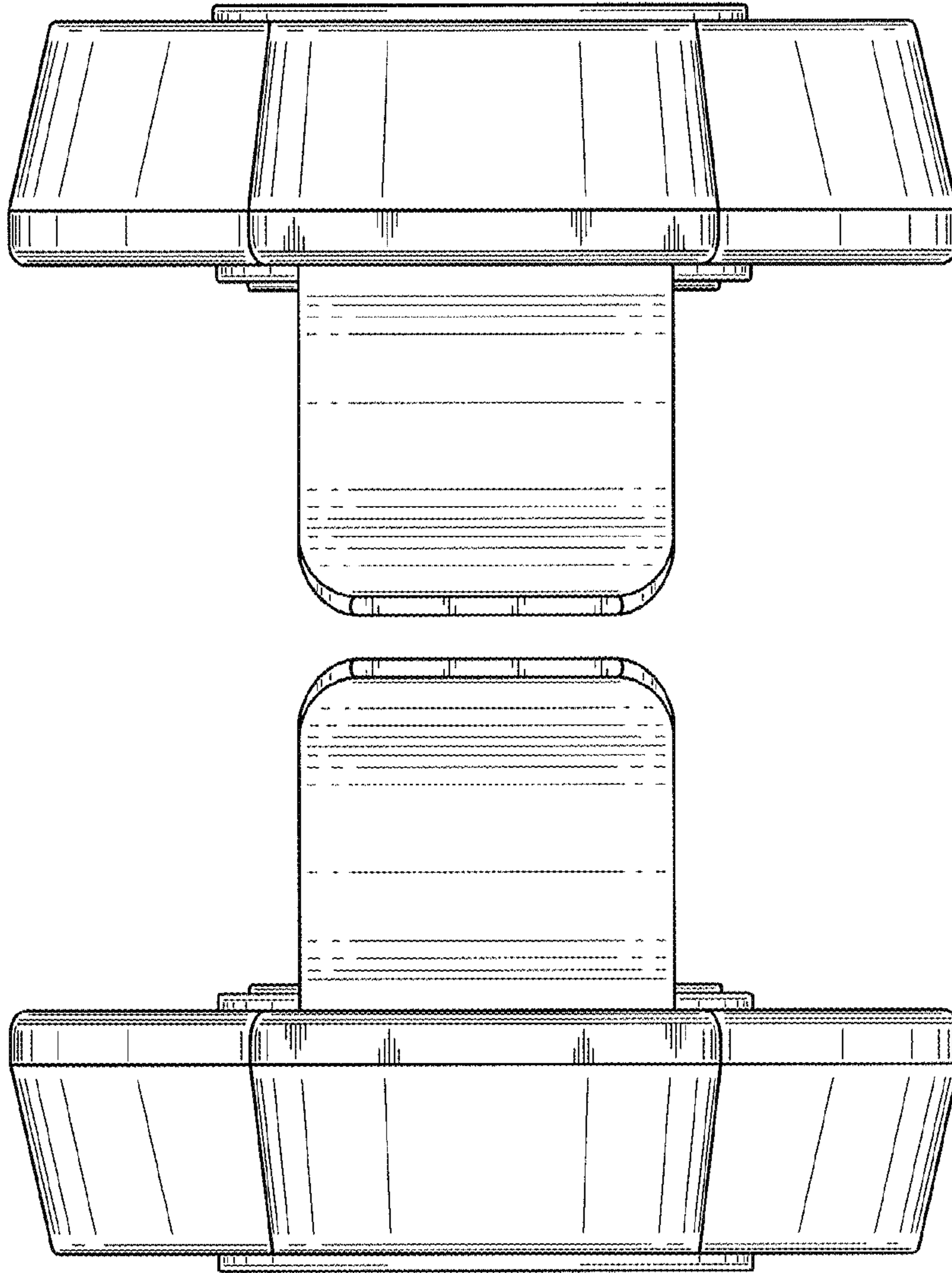


FIG. 7

FIG. 6

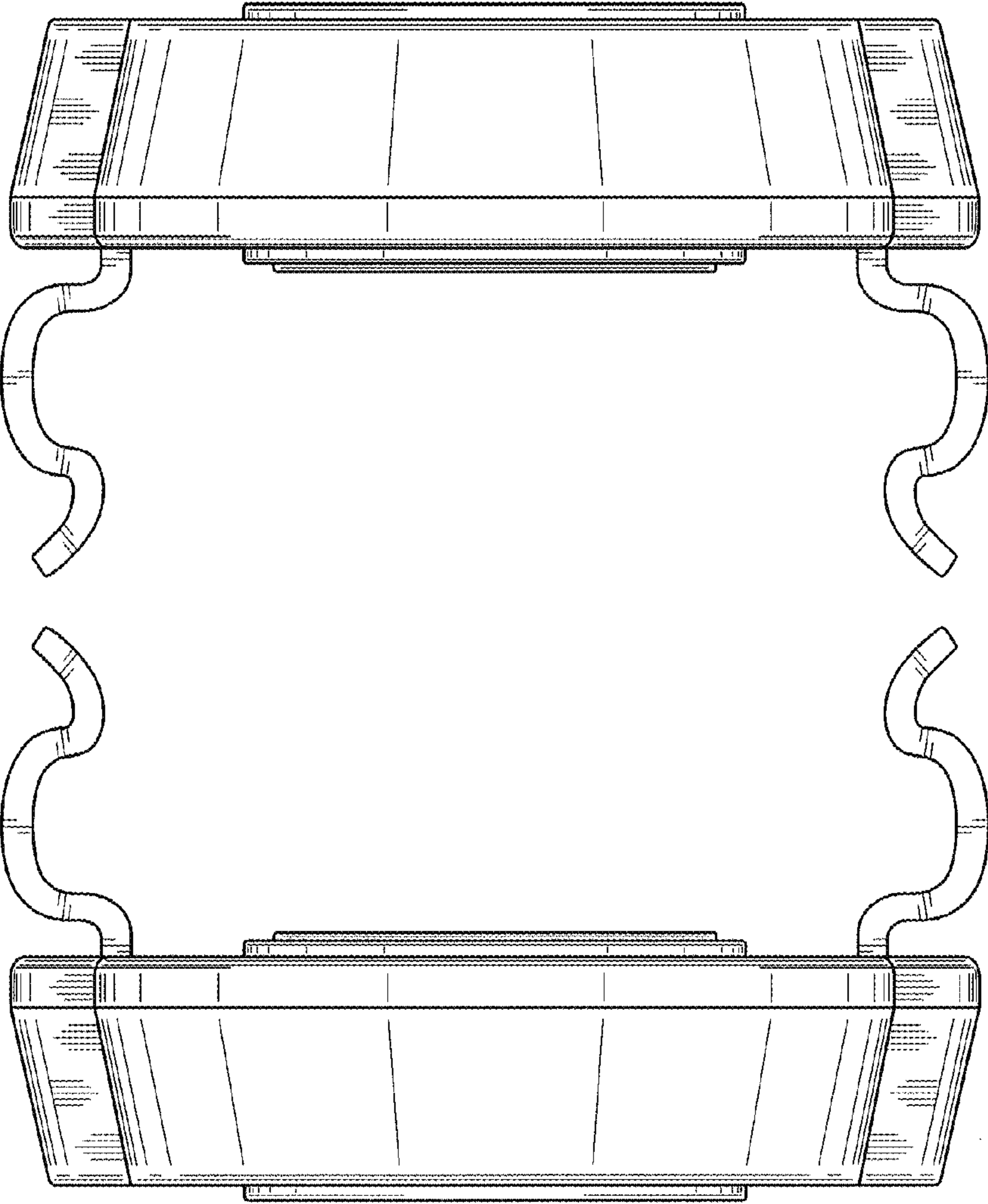


FIG. 9

FIG. 8