



US00D713397S

(12) **United States Design Patent**  
**Du et al.**

(10) **Patent No.:** **US D713,397 S**

(45) **Date of Patent:** **\*\* Sep. 16, 2014**

(54) **MOBILE PHONE LEATHER SHEATH**

(56) **References Cited**

(71) Applicant: **Huizhou TCL Mobile Communication Co., Ltd.**, Huizhou (CN)

U.S. PATENT DOCUMENTS

(72) Inventors: **Jiamei Du**, Huizhou (CN); **Cheolwoo Park**, Huizhou (CN); **Hongxia Leng**, Huizhou (CN); **Jinai Lin**, Huizhou (CN)

D395,749 S \* 7/1998 Jayez ..... D3/218  
D407,215 S \* 3/1999 Garrett, III ..... D3/218  
D557,894 S \* 12/2007 Yeo ..... D3/218  
D559,532 S \* 1/2008 Kwak et al. .... D3/218  
D601,959 S \* 10/2009 Lee et al. .... D13/119

(73) Assignee: **Huizhou TCL Mobile Communication Co., Ltd.**, Huizhou City, Guangdong Province (CN)

(Continued)

*Primary Examiner* — Carla Jobe Wright

(74) *Attorney, Agent, or Firm* — Cheng-Ju Chiang

(\*\*) Term: **14 Years**

(57) **CLAIM**

(21) Appl. No.: **29/455,918**

The ornamental design for a mobile phone leather sheath, as shown and described.

(22) Filed: **May 26, 2013**

**DESCRIPTION**

(30) **Foreign Application Priority Data**

Apr. 10, 2013 (CN) ..... 2013 3 0106948

(51) **LOC (10) Cl.** ..... **14-03**

(52) **U.S. Cl.**  
USPC ..... **D14/250**

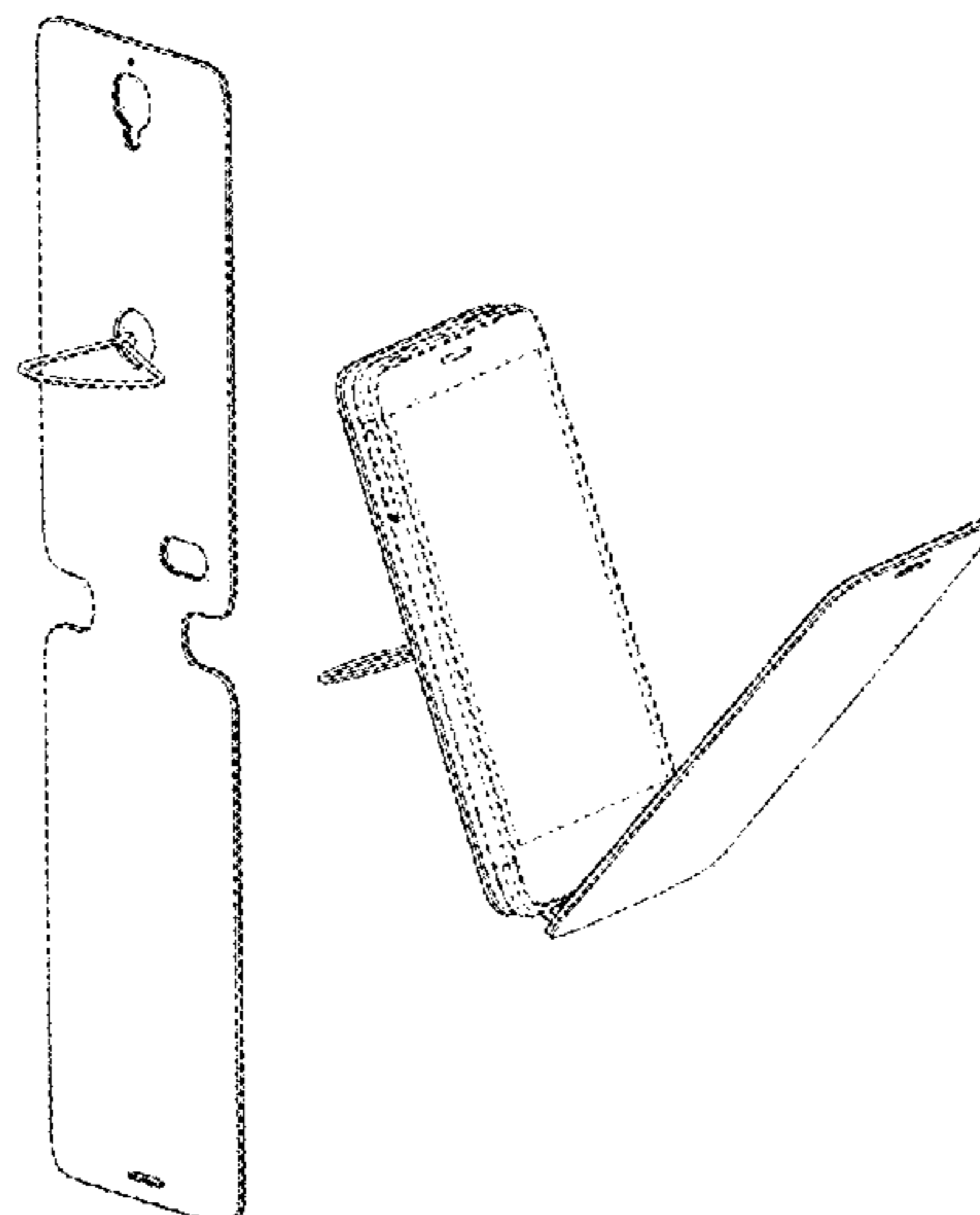
(58) **Field of Classification Search**  
CPC ..... A45C 2013/303; A45C 11/321; A45C 2001/067; A45C 2001/086; A45C 2013/025; A45C 15/00

USPC ..... D14/250–253, 440, 203.3–203.7, 217, D14/496, 248, 238.1, 240, 447, 341–347, D14/444; D13/103, 107–108, 119; D3/201, D3/218, 247, 269, 273, 301, 303; 248/176.3, 188.8, 309.1, 371, 668; 361/220, 379.01, 679.01, 679.02, 361/679.09, 679.21, 679.25, 679.3, 679.4, 361/679.56, 679.57, 759, 807, 816; 379/433.11, 451, 455; 455/556.1, 557, 455/566, 575.1, 575.2, 575.8; 206/37, 45.2, 206/305, 320, 216; 320/108, 115; 429/96; 220/4.02; 150/165; 174/50; 235/41, 235/375, 462; 312/223.1; 396/535

See application file for complete search history.

FIG. 1 is a rear, top and left perspective view of a mobile phone leather sheath showing our new design; FIG. 2 is a front elevational view thereof; FIG. 3 is a rear elevational view thereof; FIG. 4 is a left side elevational view thereof; FIG. 5 is a right side elevational view thereof; FIG. 6 is a top plan view thereof; FIG. 7 is a bottom plan view thereof; and FIG. 8 is a front, top and left perspective view of the mobile phone leather sheath of FIG. 1 shown with an unclaimed mobile phone. FIG. 9 is another perspective view of the mobile phone leather sheath of FIG. 8 in a state of use with an unclaimed mobile phone. FIG. 10 is another perspective view of the mobile phone leather sheath of FIG. 8 in an alternate state of use with an unclaimed mobile phone; and, FIG. 11 is another perspective view of the mobile phone leather sheath of FIG. 8 in an alternate state of use with an unclaimed mobile phone. The broken lines in FIGS. 8-11 depict an unclaimed mobile phone.

**1 Claim, 11 Drawing Sheets**



(56)

**References Cited**

U.S. PATENT DOCUMENTS

D601,960 S \* 10/2009 Dai ..... D13/119  
D602,689 S \* 10/2009 Hewitt ..... D3/247  
D620,248 S \* 7/2010 Paschke et al. .... D3/218  
8,046,039 B2 \* 10/2011 Lee et al. .... 455/575.8

D668,045 S \* 10/2012 Robbins et al. .... D3/269  
2007/0099680 A1 \* 5/2007 Kielland ..... 455/575.1  
2009/0314400 A1 \* 12/2009 Liu ..... 150/165  
2010/0062816 A1 \* 3/2010 Yu ..... 455/575.8  
2011/0290676 A1 \* 12/2011 Kershenstein ..... 206/37  
2012/0178507 A1 \* 7/2012 Lee ..... 455/575.1

\* cited by examiner

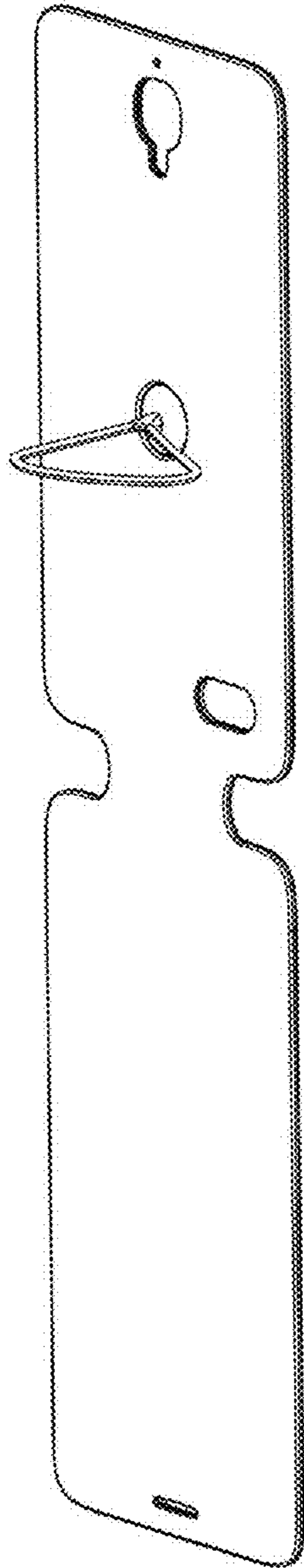


Fig. 1

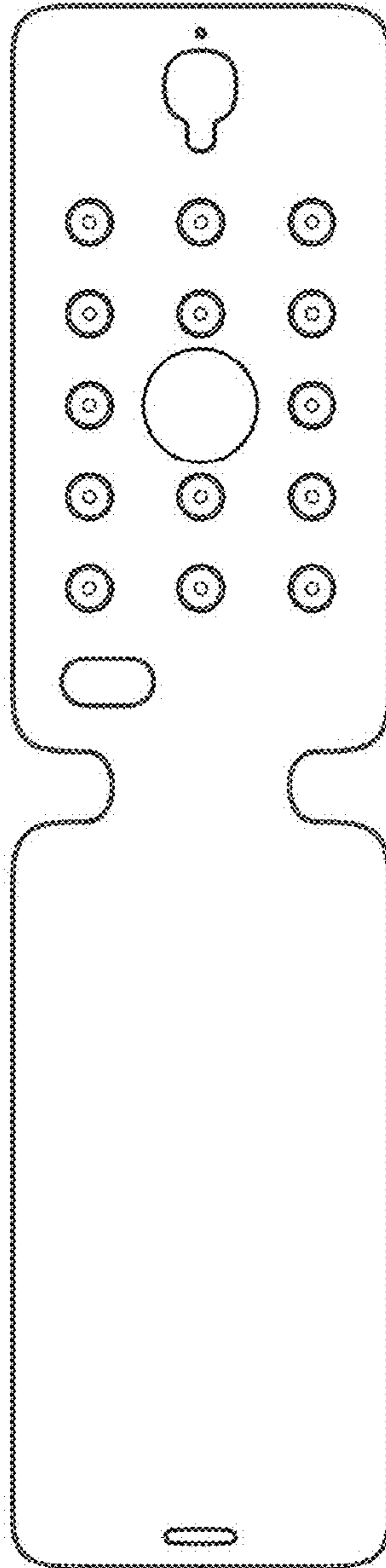
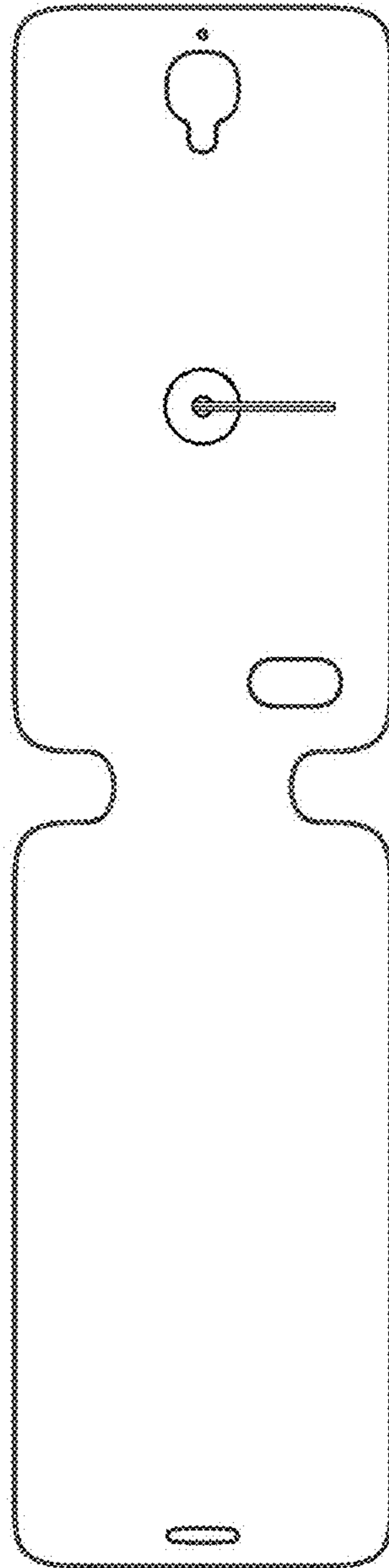


Fig. 2



**Fig. 3**

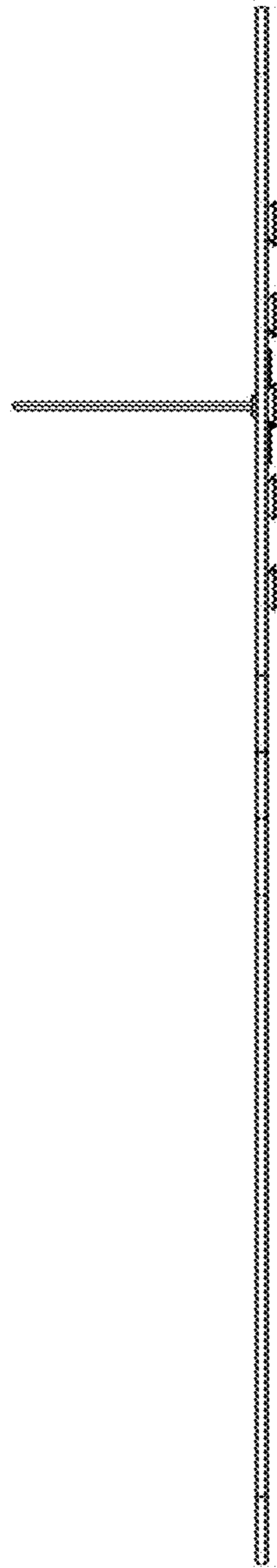


Fig. 4

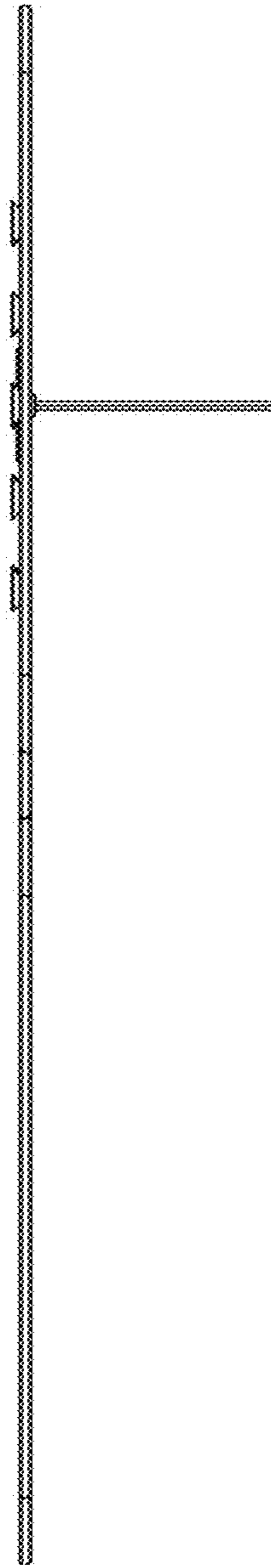
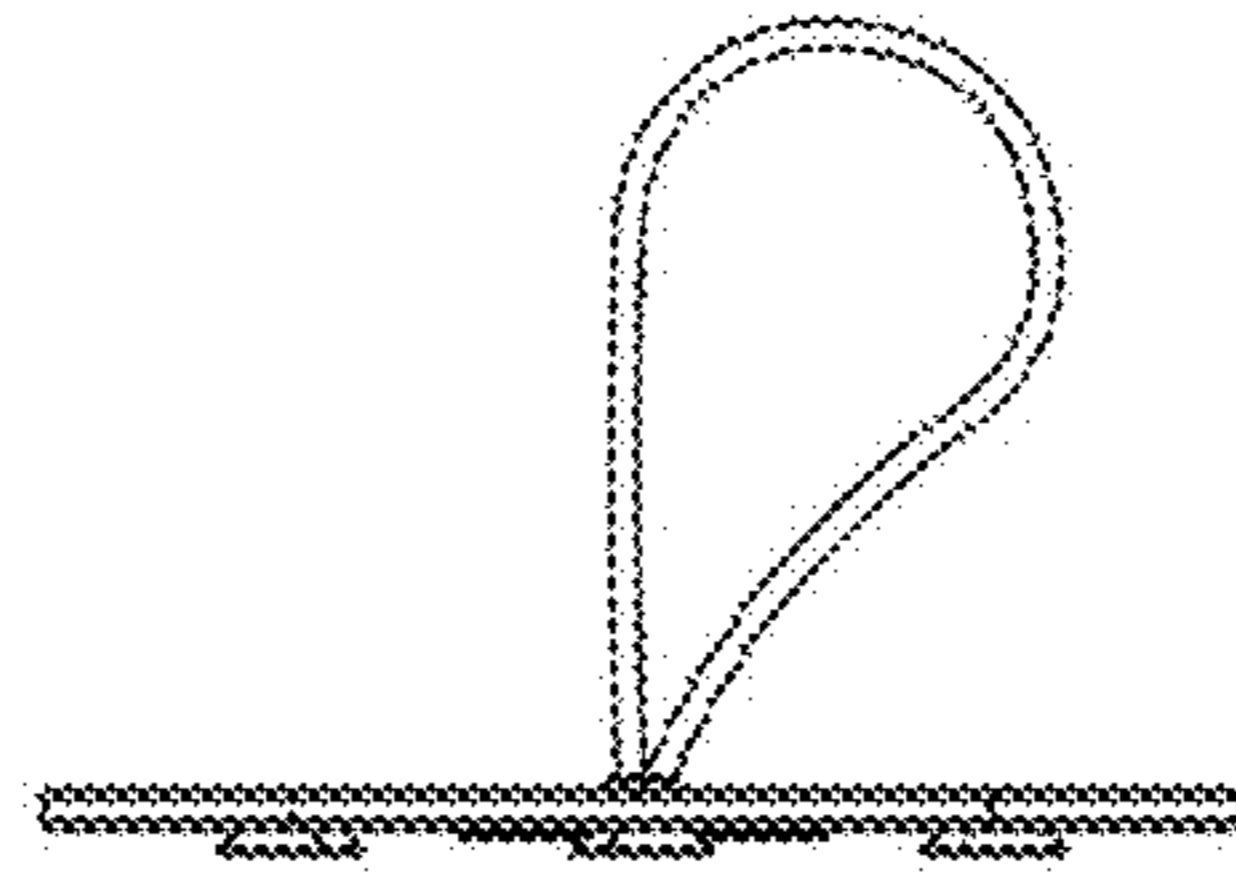


Fig. 5



**Fig. 6**



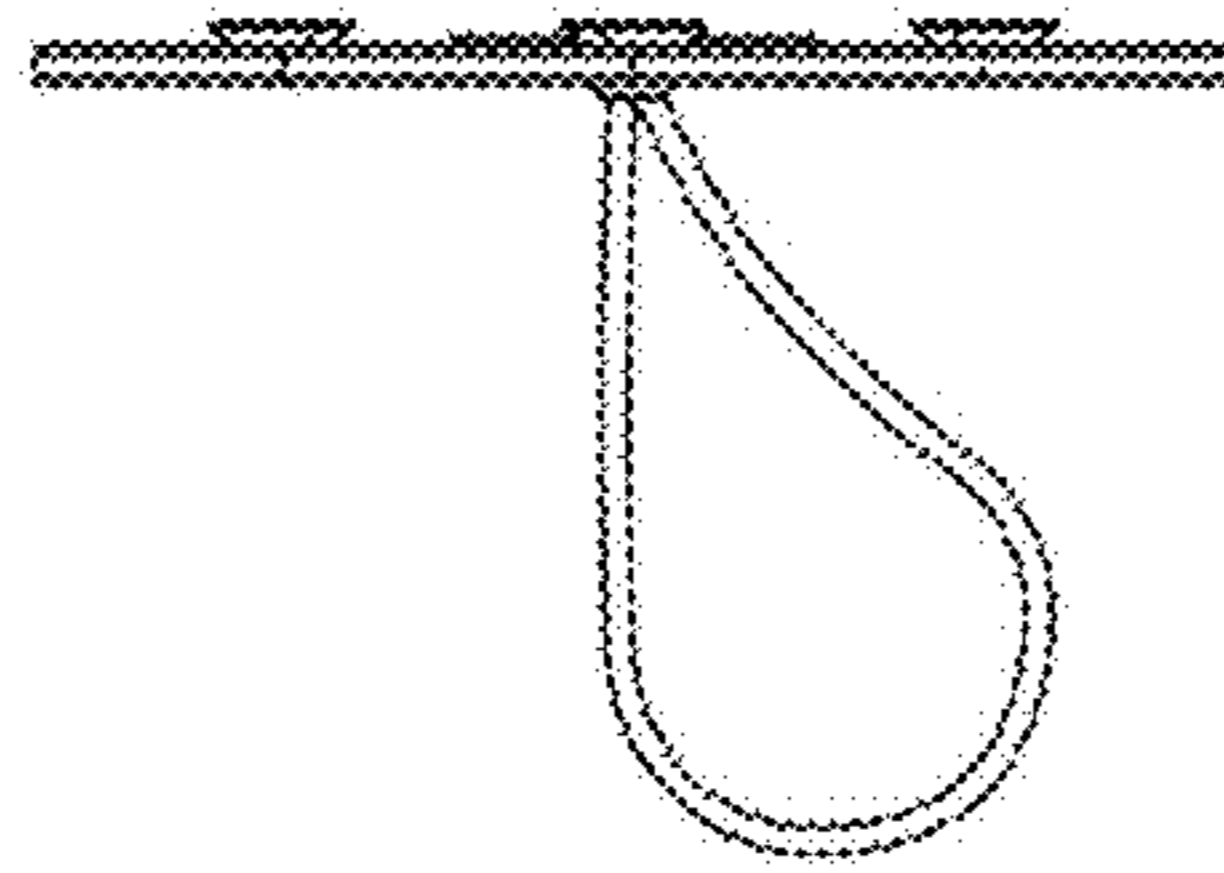
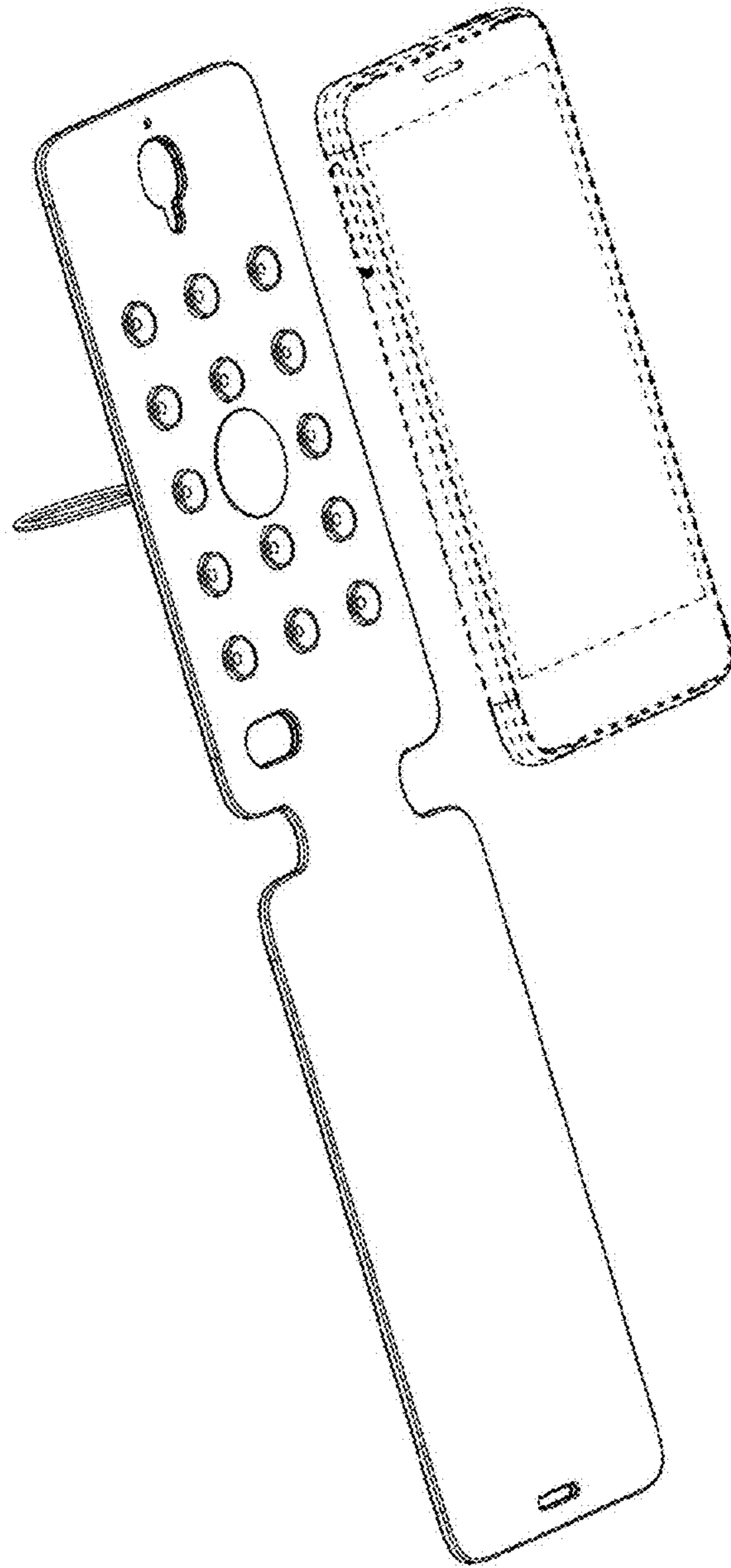


Fig. 7



**Fig. 8**

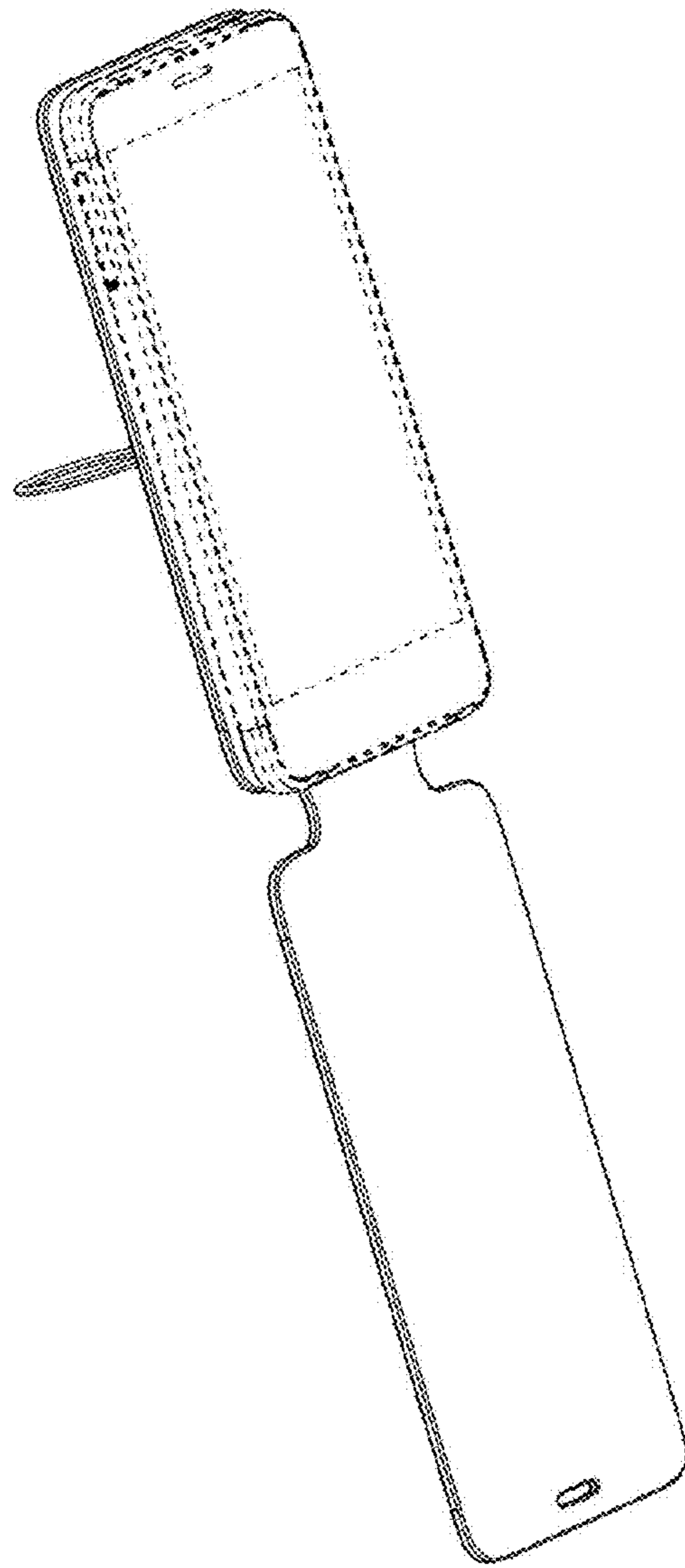
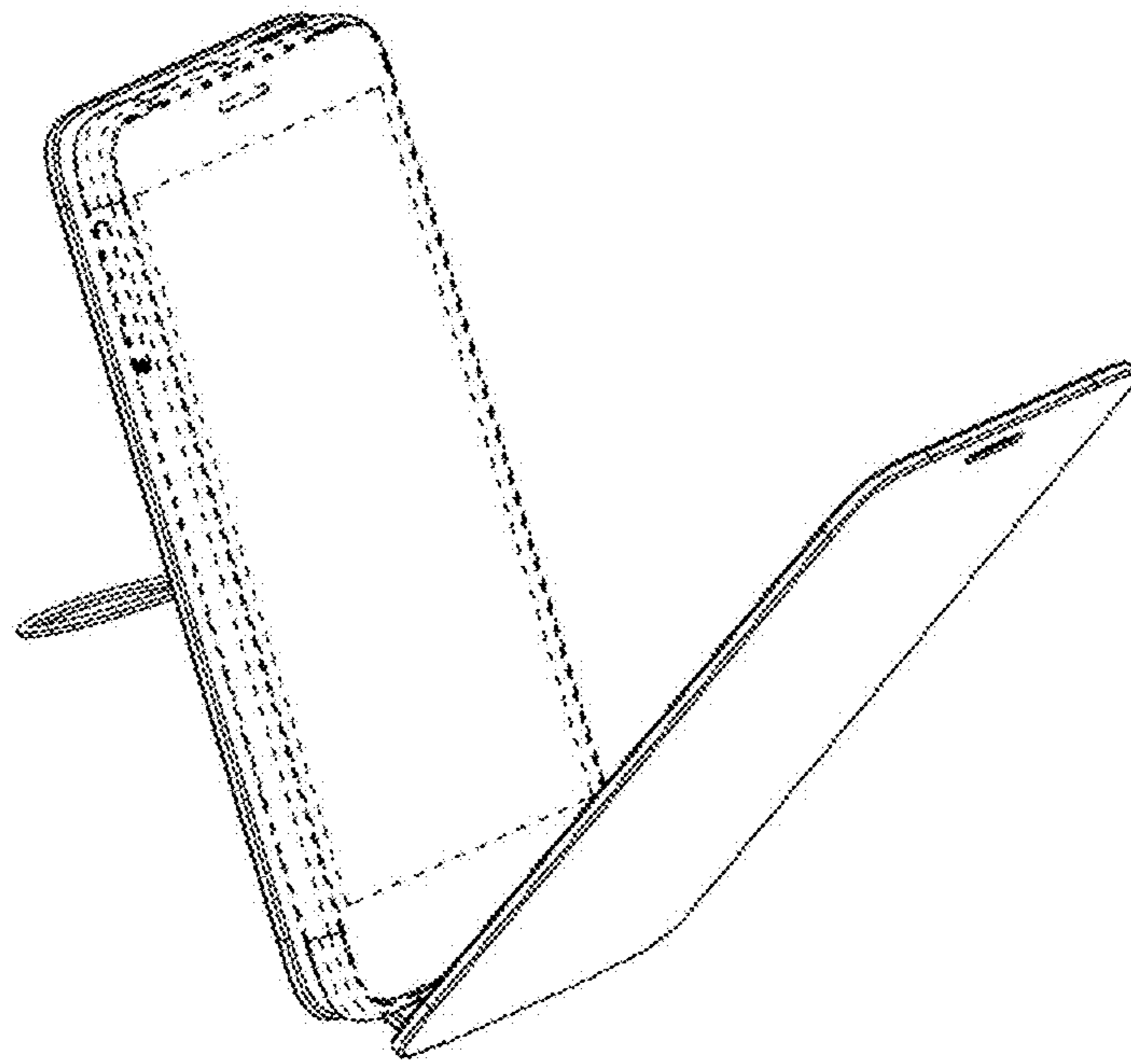
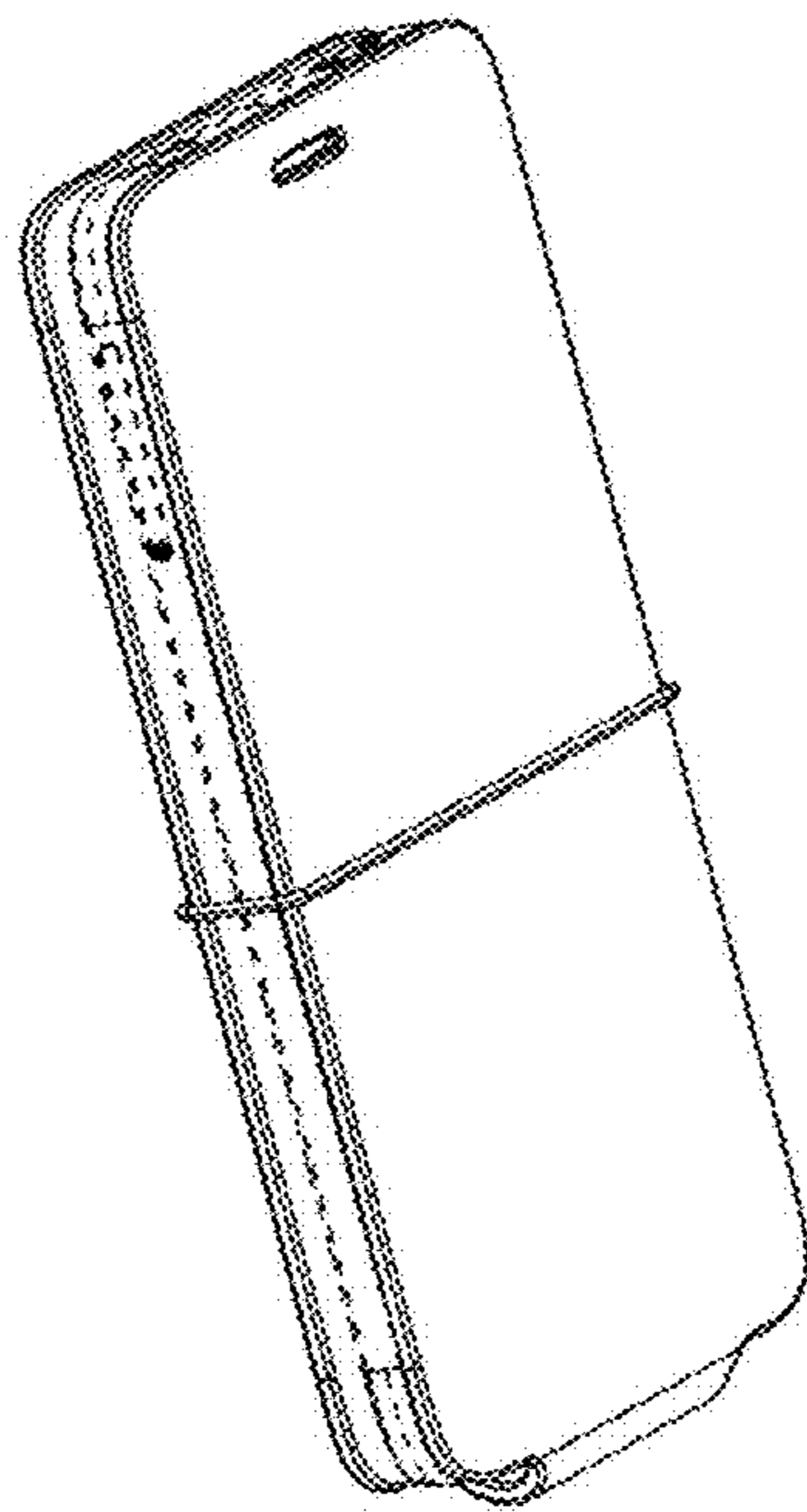


Fig. 9



**Fig. 10**



**Fig. 11**