



US00D713395S

(12) **United States Design Patent**  
**Godycki et al.**

(10) **Patent No.:** **US D713,395 S**

(45) **Date of Patent:** **\*\* Sep. 16, 2014**

(54) **MOBILE DEVICE CASE**

(71) Applicant: **Quirky, Inc.**, New York, NY (US)

(72) Inventors: **Przemek Godycki**, Brooklyn, NY (US);  
**Timothy M. Connelly**, Brooklyn, NY (US)

(73) Assignee: **Quirky Inc.**, New York, NY (US)

(\*\*) Term: **14 Years**

(21) Appl. No.: **29/439,255**

(22) Filed: **Dec. 7, 2012**

(51) **LOC (10) Cl.** ..... **14-03**

(52) **U.S. Cl.**  
USPC ..... **D14/250**

(58) **Field of Classification Search**  
USPC ..... D14/138 AD, 138 C, 138 G, 203.7, 230,  
D14/238.1, 240, 247, 248, 250, 253, 341,  
D14/345, 346, 439, 440, 447, 496;  
D13/103, 107, 119; D3/201, 218, 269,  
D3/273, 303; 206/320; 455/575.1, 575.4,  
455/575.8

See application file for complete search history.

(56) **References Cited**

**U.S. PATENT DOCUMENTS**

D473,563 S \* 4/2003 Russell ..... D14/447  
D558,773 S \* 1/2008 Derry et al. .... D14/447  
D564,220 S \* 3/2008 Dixon ..... D3/218

D592,188 S \* 5/2009 Huang ..... D14/217  
D637,593 S \* 5/2011 Zanetti ..... D14/253  
D640,707 S \* 6/2011 Yeh ..... D14/447  
D669,890 S \* 10/2012 Hopkins et al. .... D14/251  
D673,960 S \* 1/2013 Lindfield et al. .... D14/447  
D674,804 S \* 1/2013 Cote ..... D14/447  
D679,693 S \* 4/2013 Rashid ..... D14/250  
D685,376 S \* 7/2013 Kim ..... D14/439  
D686,629 S \* 7/2013 Trinh et al. .... D14/447

\* cited by examiner

*Primary Examiner* — Thomas Johannes

*Assistant Examiner* — Chelsea Sealey

(74) *Attorney, Agent, or Firm* — Cowan, Liebowitz & Latman, P.C.; Steven D. Underwood

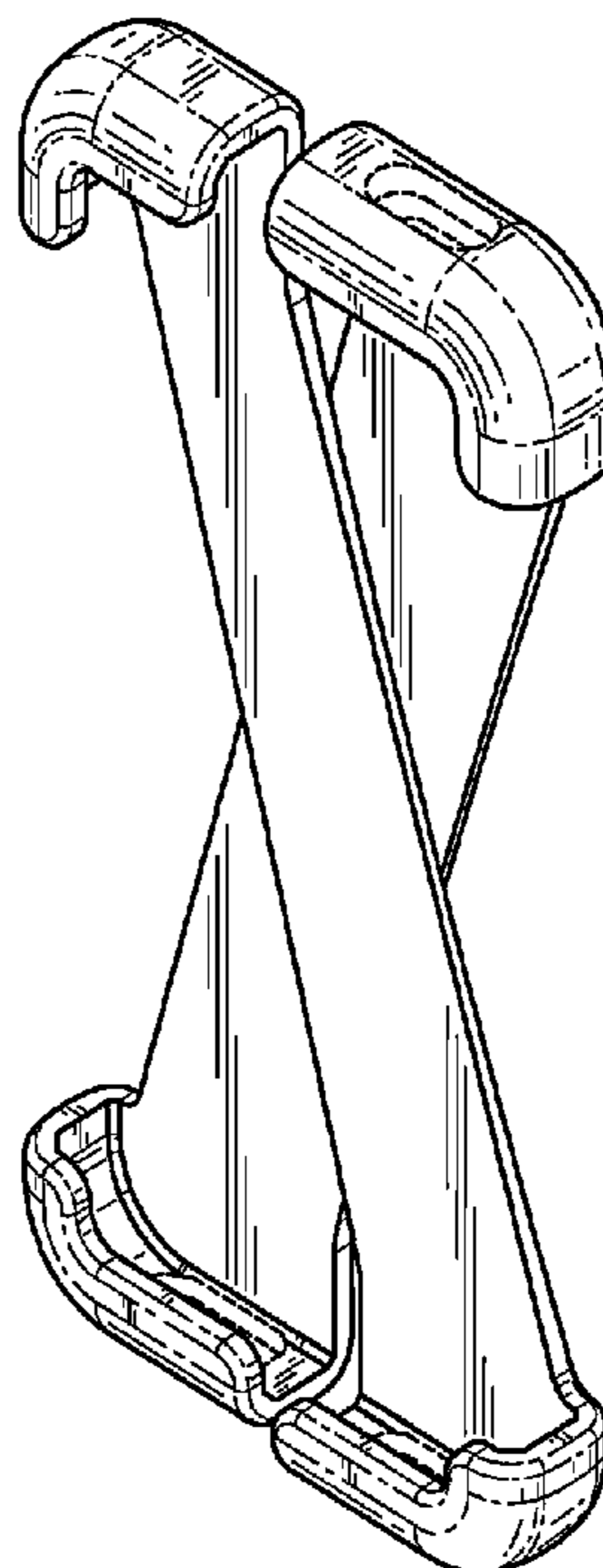
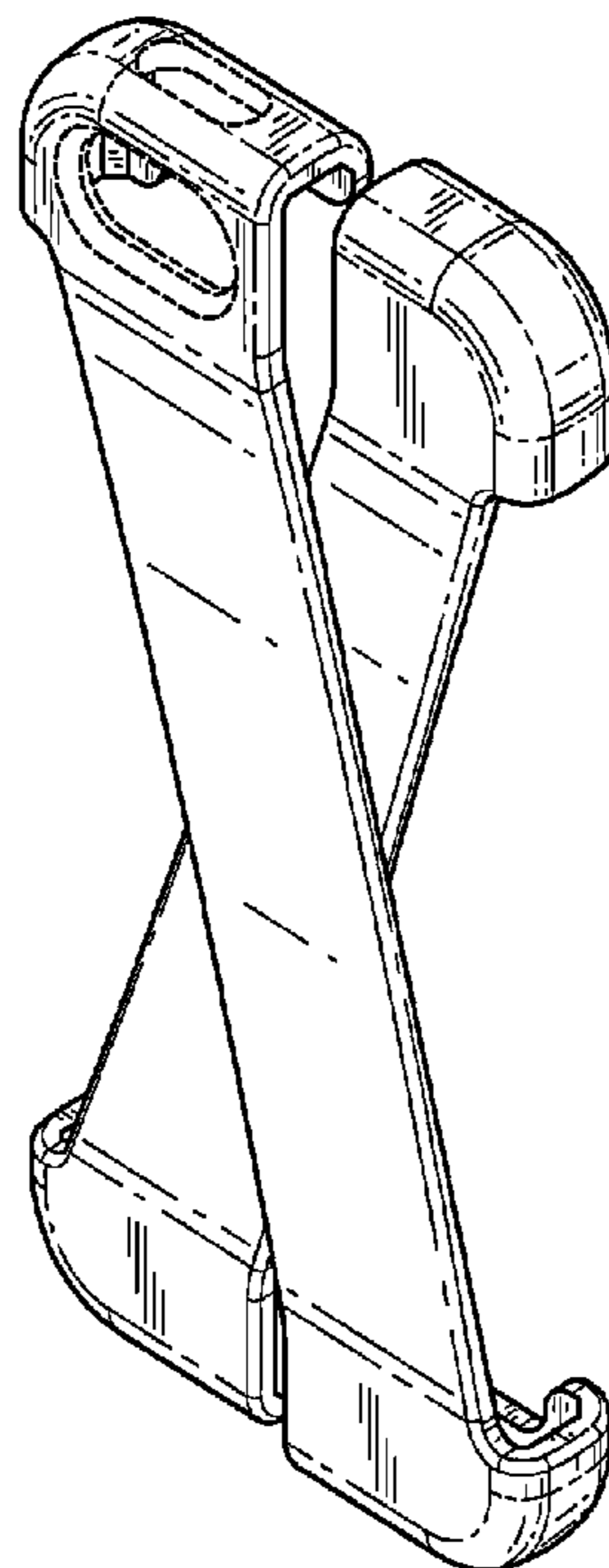
(57) **CLAIM**

The ornamental design for a mobile device case, as shown.

**DESCRIPTION**

FIG. 1 is a front/right perspective view of a mobile device case showing our new design;  
FIG. 2 is a rear/left perspective view thereof;  
FIG. 3 is a front elevation view thereof;  
FIG. 4 is a rear elevation view thereof;  
FIG. 5 is a right elevation view thereof;  
FIG. 6 is a left elevation view thereof;  
FIG. 7 is a top plan view thereof; and,  
FIG. 8 is the bottom plan view thereof.  
The broken lines indicate unclaimed portions of the article that form no part of the claimed design.

**1 Claim, 3 Drawing Sheets**



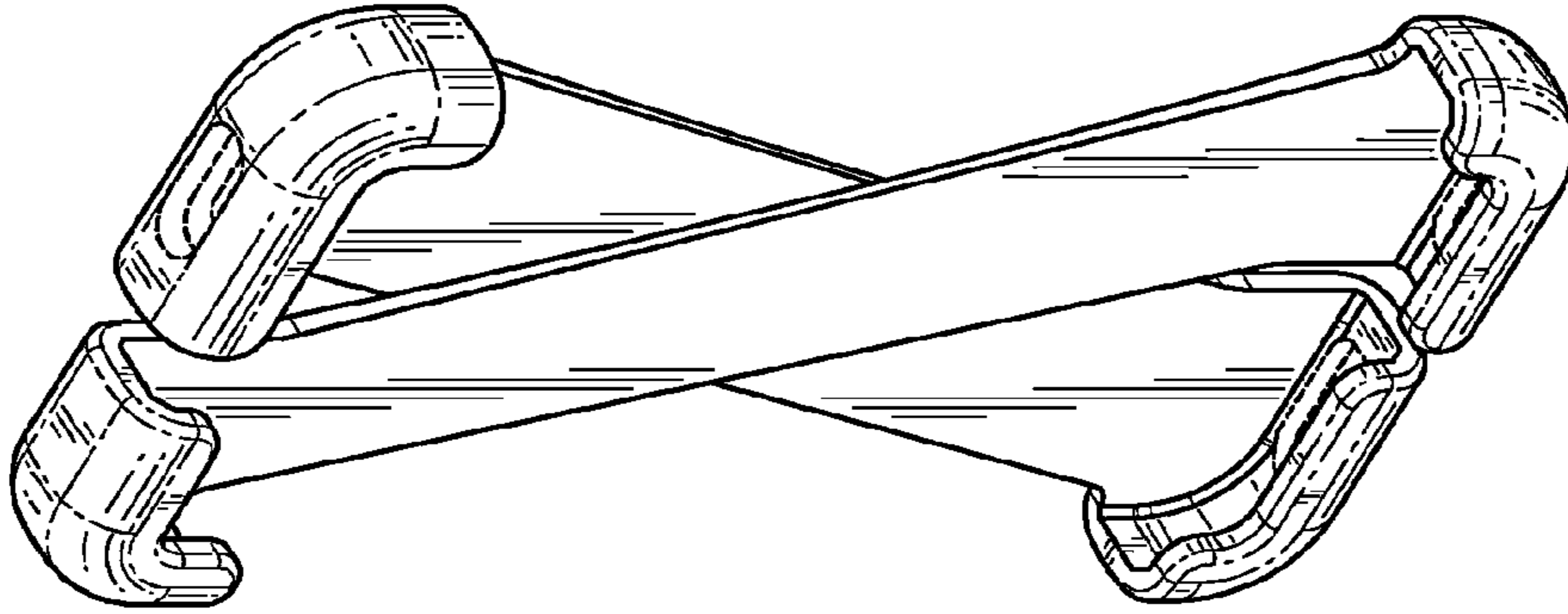


FIG. 2

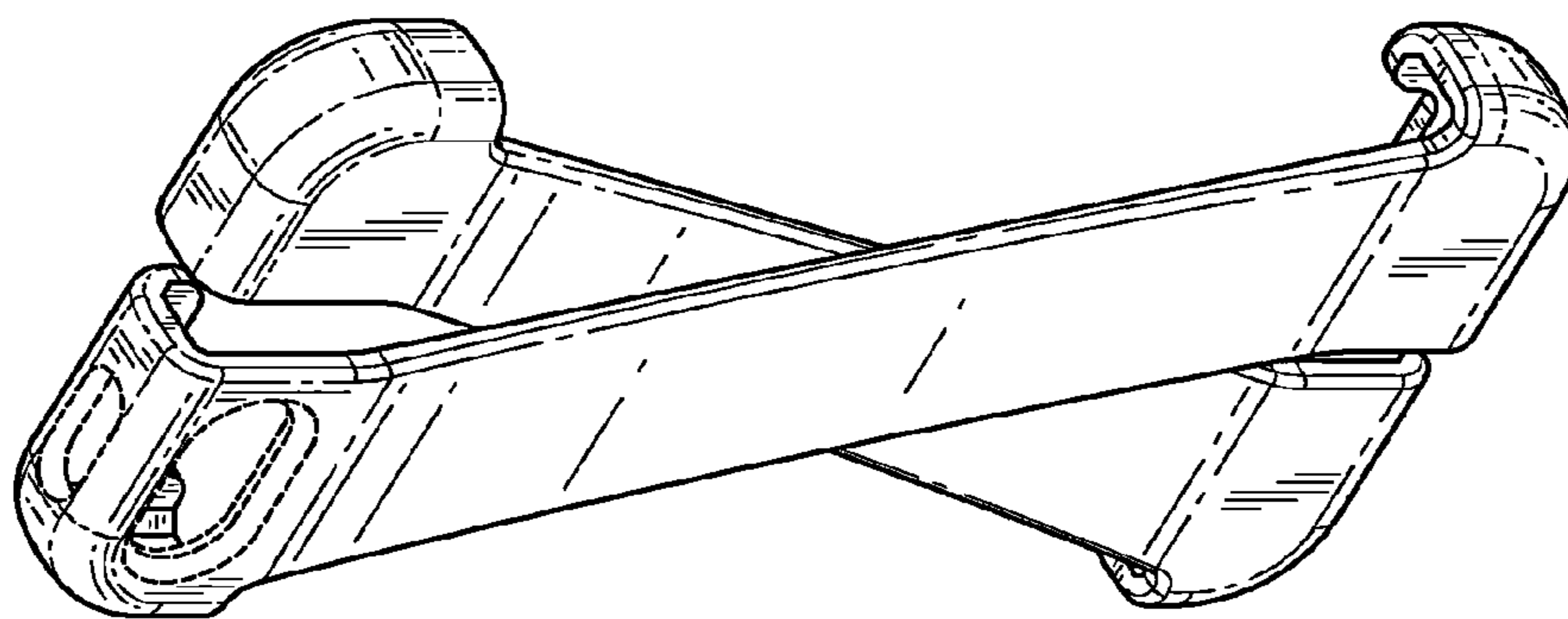


FIG. 1

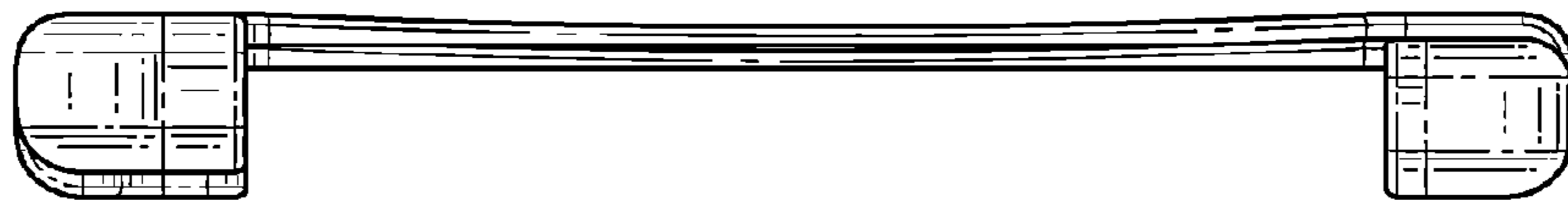


FIG. 6

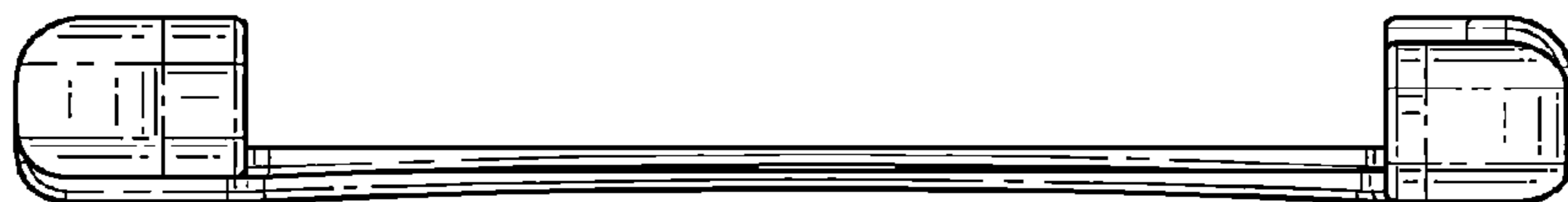


FIG. 5

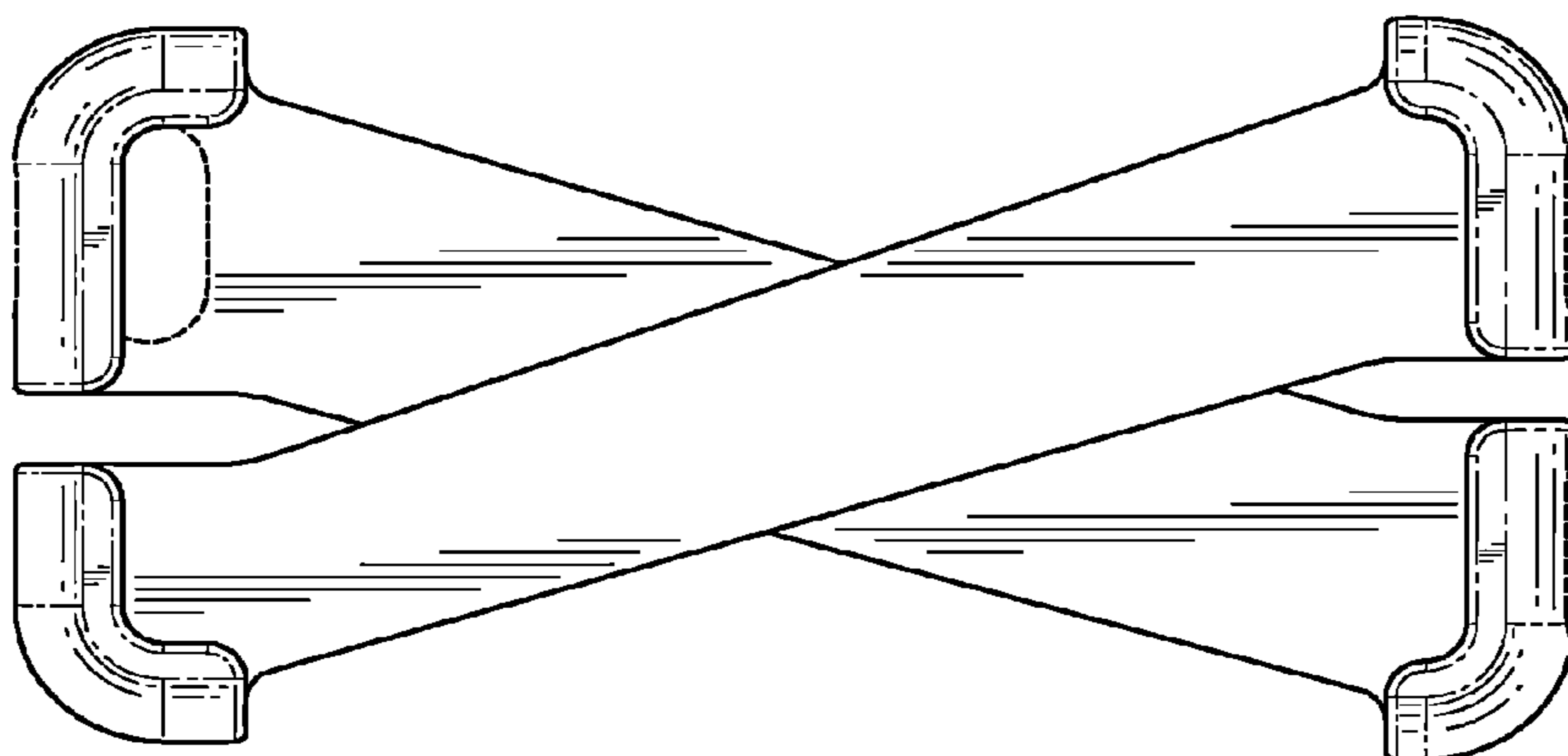


FIG. 4

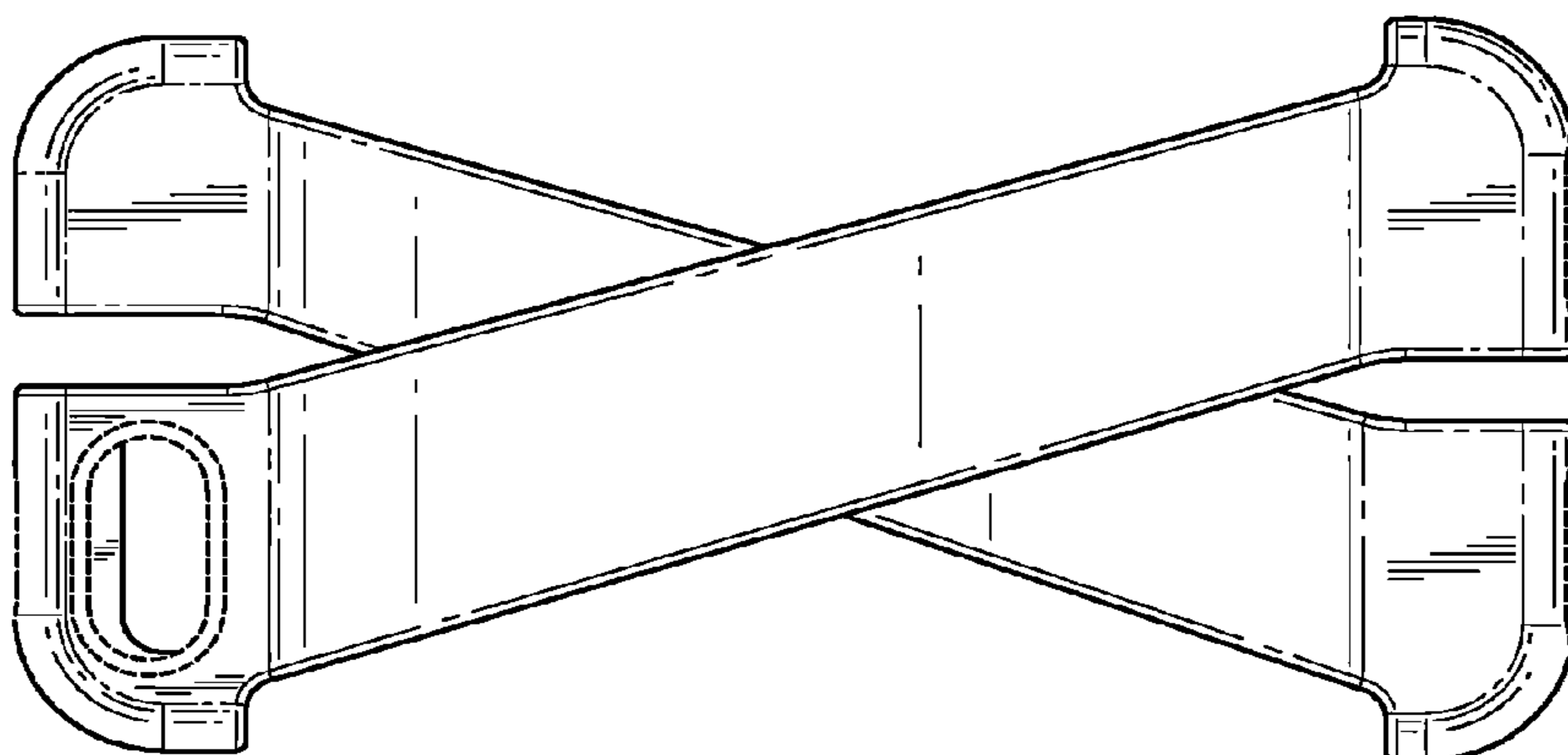


FIG. 3

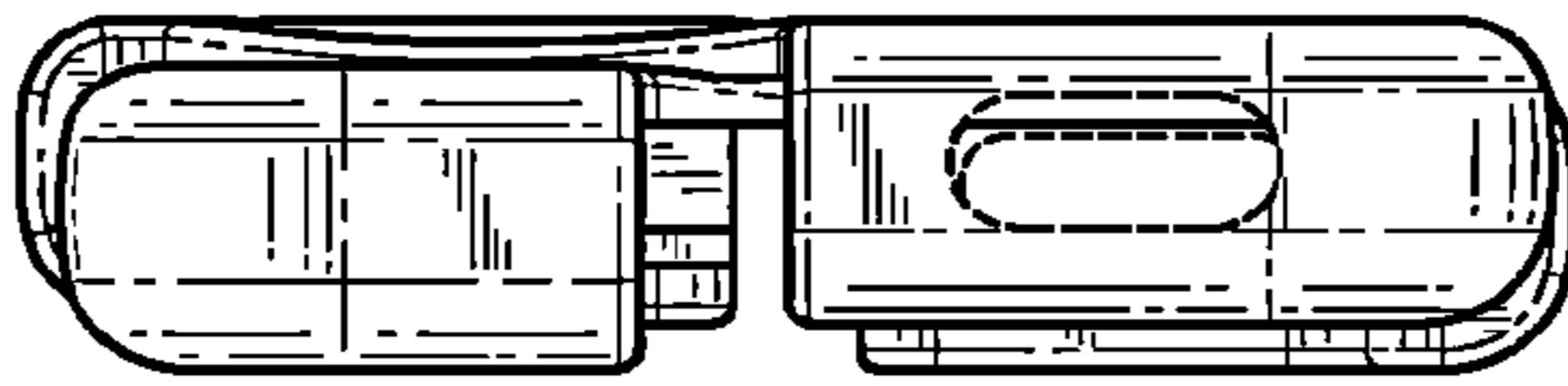


FIG. 7

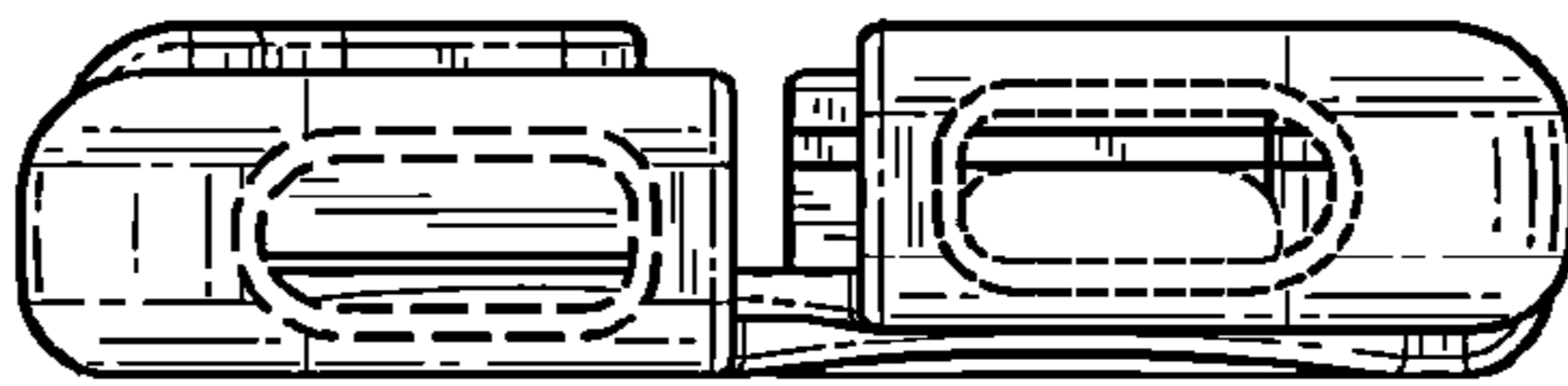


FIG. 8