



US00D713392S

(12) **United States Design Patent**
Podduturi

(10) **Patent No.:** **US D713,392 S**

(45) **Date of Patent:** **** Sep. 16, 2014**

(54) **CIRCULAR TRI-LEVEL ANTENNA**

(75) **Inventor:** **Bharadvaj R. Podduturi**, American Canyon, CA (US)

(73) **Assignee:** **World Products, Inc.**, Sonoma, CA (US)

(**) **Term:** **14 Years**

(21) **Appl. No.:** **29/405,114**

(22) **Filed:** **Oct. 28, 2011**

(51) **LOC (10) Cl.** **14-03**

(52) **U.S. Cl.**
USPC **D14/230; D14/233**

(58) **Field of Classification Search**
USPC D14/138, 230–238, 299, 358; D12/42, D12/43; 343/700 MS, 700 R–705, 711–713, 343/735, 736, 741, 748, 767, 795, 819, 840, 343/846, 866, 871–908; 455/90.2, 90.3, 91, 455/128, 269, 344, 347, 562.1; 333/193, 333/195

See application file for complete search history.

(56) **References Cited**

U.S. PATENT DOCUMENTS

2,508,085	A *	5/1950	Alford	343/769
2,617,033	A *	11/1952	Posthumus	343/856
D260,895	S *	9/1981	Luedtke et al.	D14/233
D361,767	S	8/1995	Tinaphong		
D401,243	S	11/1998	Guttadauro		
5,959,522	A	9/1999	Andrews		
D426,827	S *	6/2000	Tsai Wang	D14/231
6,404,394	B1	6/2002	Hill		
6,507,319	B2 *	1/2003	Sikina	343/757
6,567,045	B2	5/2003	Suguro et al.		
D484,117	S *	12/2003	Inaba	D14/233
D492,671	S	7/2004	Shibano et al.		
6,946,997	B2	9/2005	Yuanzhu		
6,972,729	B2	12/2005	Wang		
7,148,851	B2	12/2006	Takaki et al.		
D558,191	S *	12/2007	Pempsell et al.	D14/233

D576,614	S	9/2008	Lee et al.		
7,429,955	B2	9/2008	Tai et al.		
7,495,627	B2	2/2009	Parsche		
D588,115	S	3/2009	Yoshioka		
D592,195	S	5/2009	Wu et al.		
7,564,424	B2	7/2009	Umehara		
7,589,679	B2	9/2009	Shih		
D606,055	S	12/2009	Wu et al.		
D607,442	S	1/2010	Su et al.		
D611,460	S *	3/2010	Chao	D14/230
D630,196	S *	1/2011	Hall	D14/230
D636,764	S	4/2011	Mi et al.		

(Continued)

FOREIGN PATENT DOCUMENTS

WO WO 00/01028 1/2000

Primary Examiner — John Windmuller

(74) *Attorney, Agent, or Firm* — Patterson Thuent Pedersen, P.A.

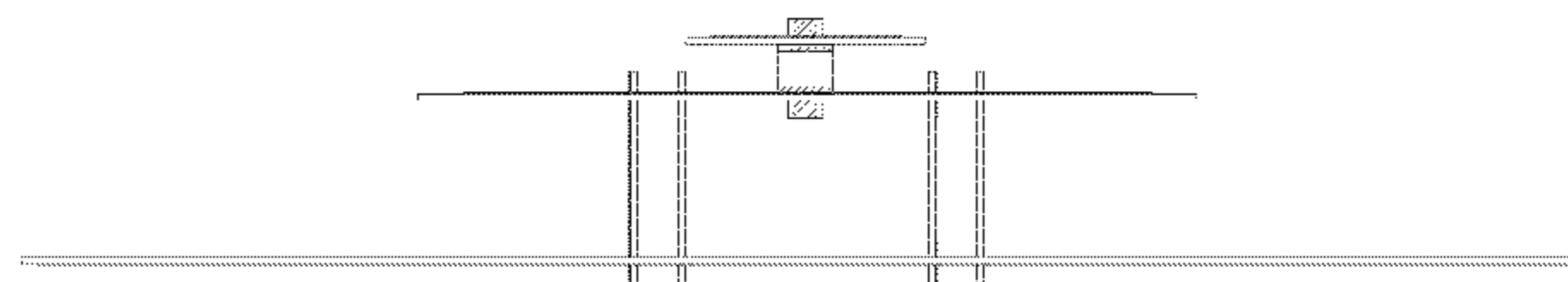
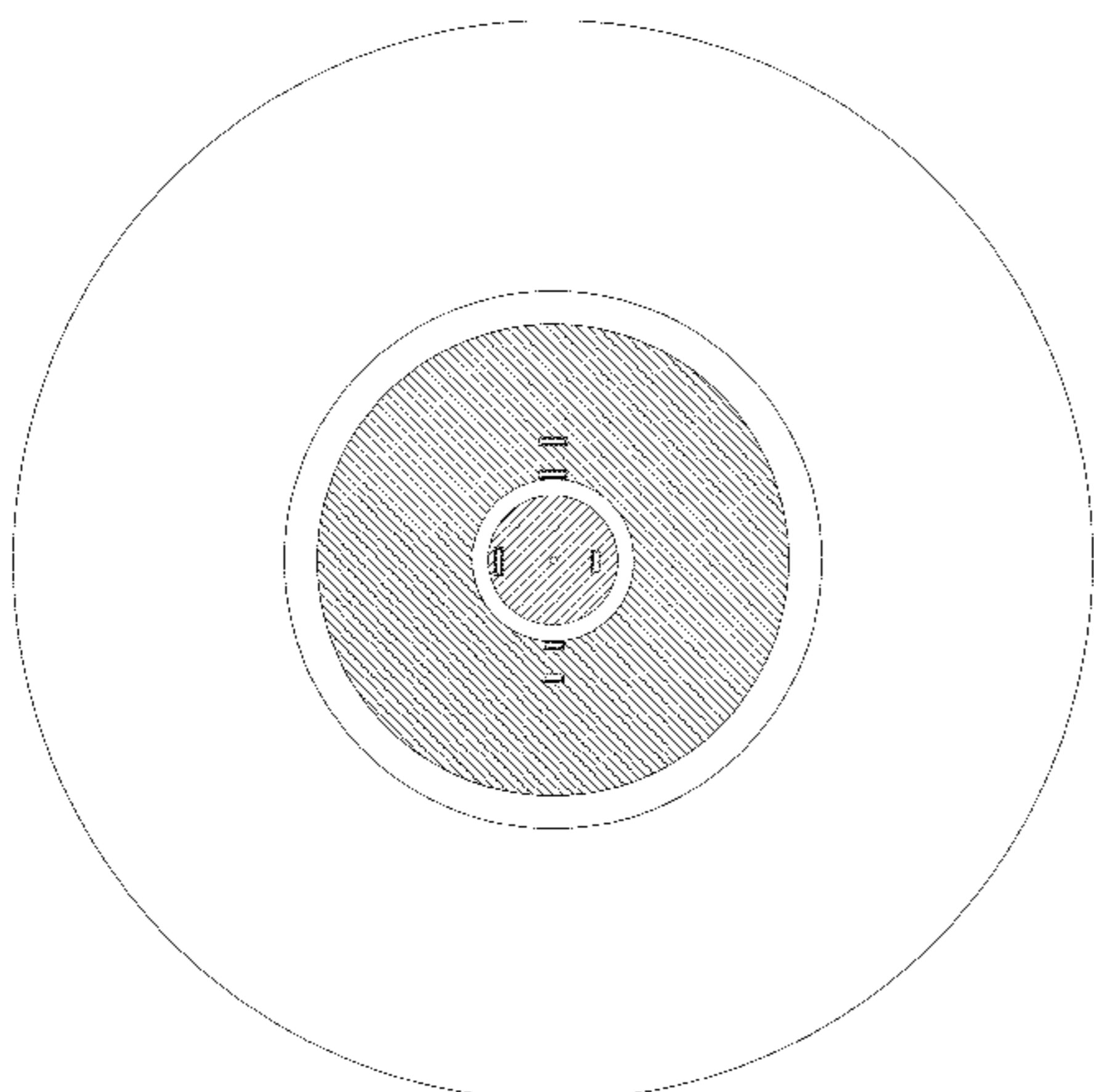
(57) **CLAIM**

I claim the ornamental design for a circular tri-level antenna, as shown.

DESCRIPTION

FIG. 1 is a perspective view of a circular tri-level antenna according to my new design;
 FIG. 2 is a top plan view of the circular tri-level antenna of FIG. 1;
 FIG. 3 is a bottom plan view of the circular tri-level antenna of FIG. 1;
 FIG. 4 is a left-side view of the circular tri-level antenna of FIG. 1;
 FIG. 5 is a right-side view of the circular tri-level antenna of FIG. 1;
 FIG. 6 is a front elevation view of a circular tri-level antenna of FIG. 1; and,
 FIG. 7 is a rear elevation view of the circular tri-level antenna of FIG. 1.

1 Claim, 7 Drawing Sheets



(56)

References Cited

U.S. PATENT DOCUMENTS

D656,925 S 4/2012 Podduturi
D658,637 S 5/2012 Podduturi
2003/0210197 A1 11/2003 Cencich et al.
2005/0073462 A1 4/2005 Lin et al.
2005/0128151 A1 6/2005 Kwak et al.
2007/0040750 A1 2/2007 Tai et al.
2007/0109203 A1 5/2007 Park et al.
2009/0027273 A1 1/2009 Lin et al.

2009/0033557 A1 2/2009 Wei
2009/0040114 A1 2/2009 Okamura et al.
2009/0051596 A1 2/2009 Wen et al.
2009/0051615 A1 2/2009 Wen et al.
2009/0243935 A1 10/2009 Huang et al.
2010/0026592 A1 2/2010 Chen et al.
2010/0171664 A1 7/2010 Yang et al.
2010/0194640 A1 8/2010 Navarro
2010/0219981 A1 9/2010 Mohammadian
2010/0253582 A1 10/2010 Nozawa

* cited by examiner

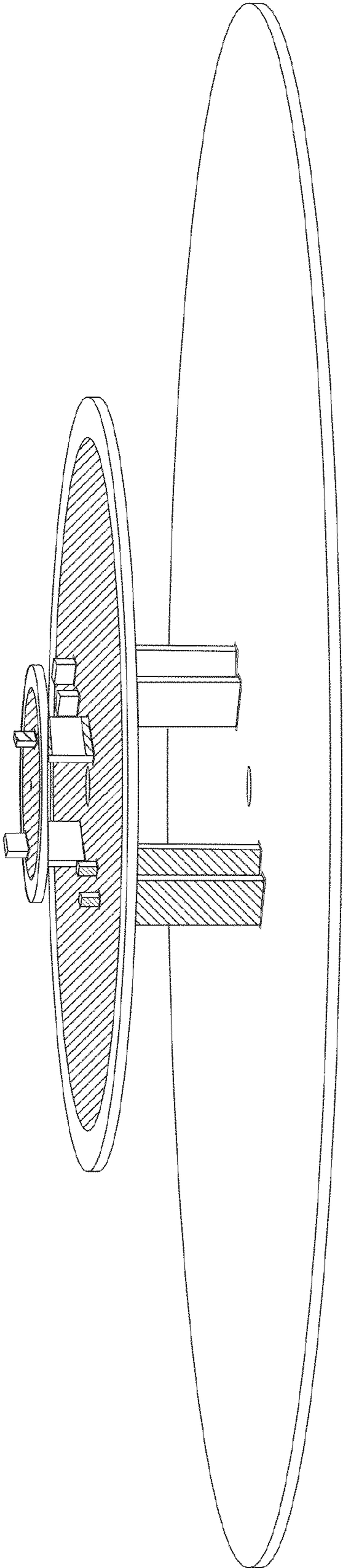


Fig. 1

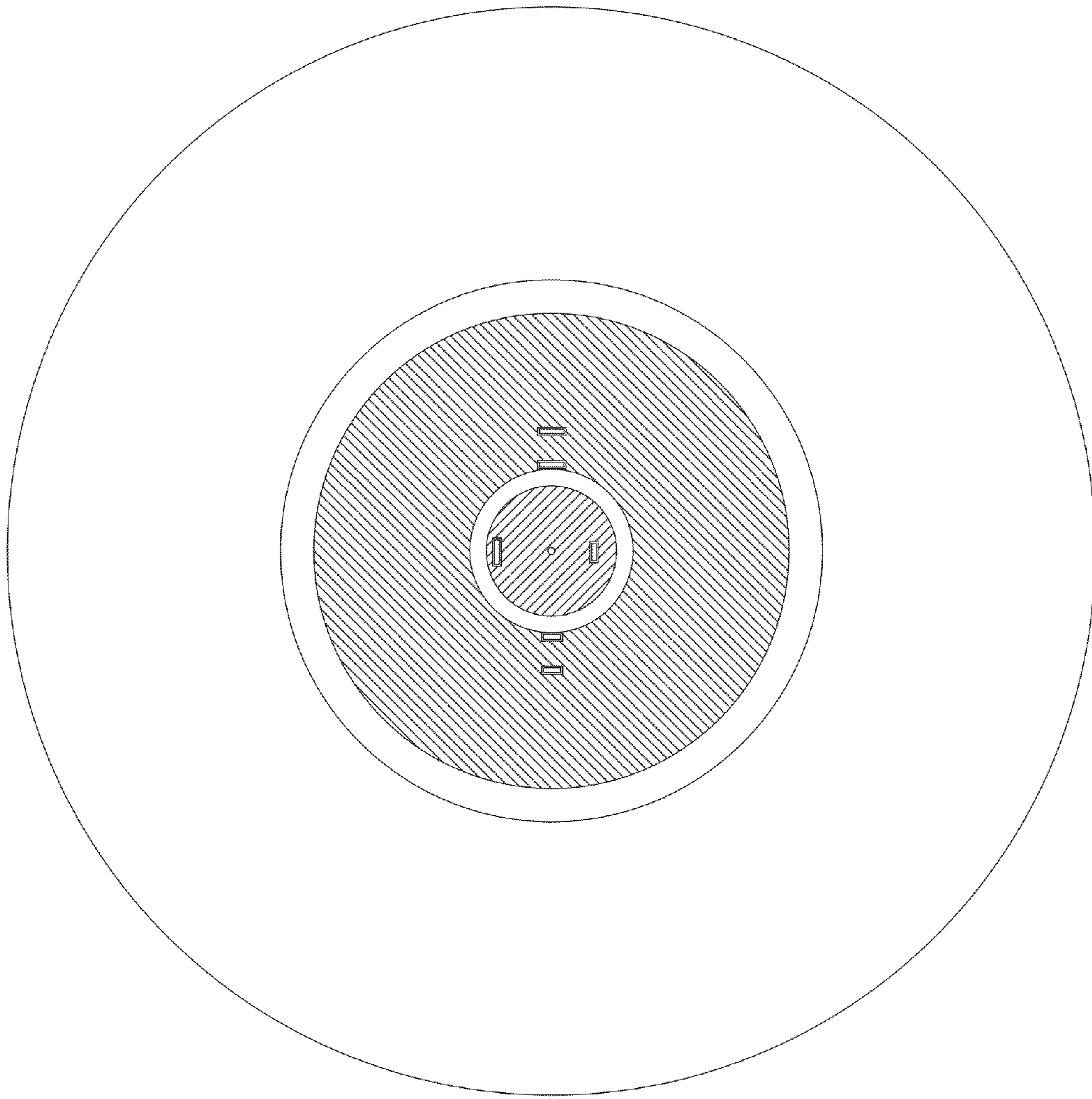


Fig. 2

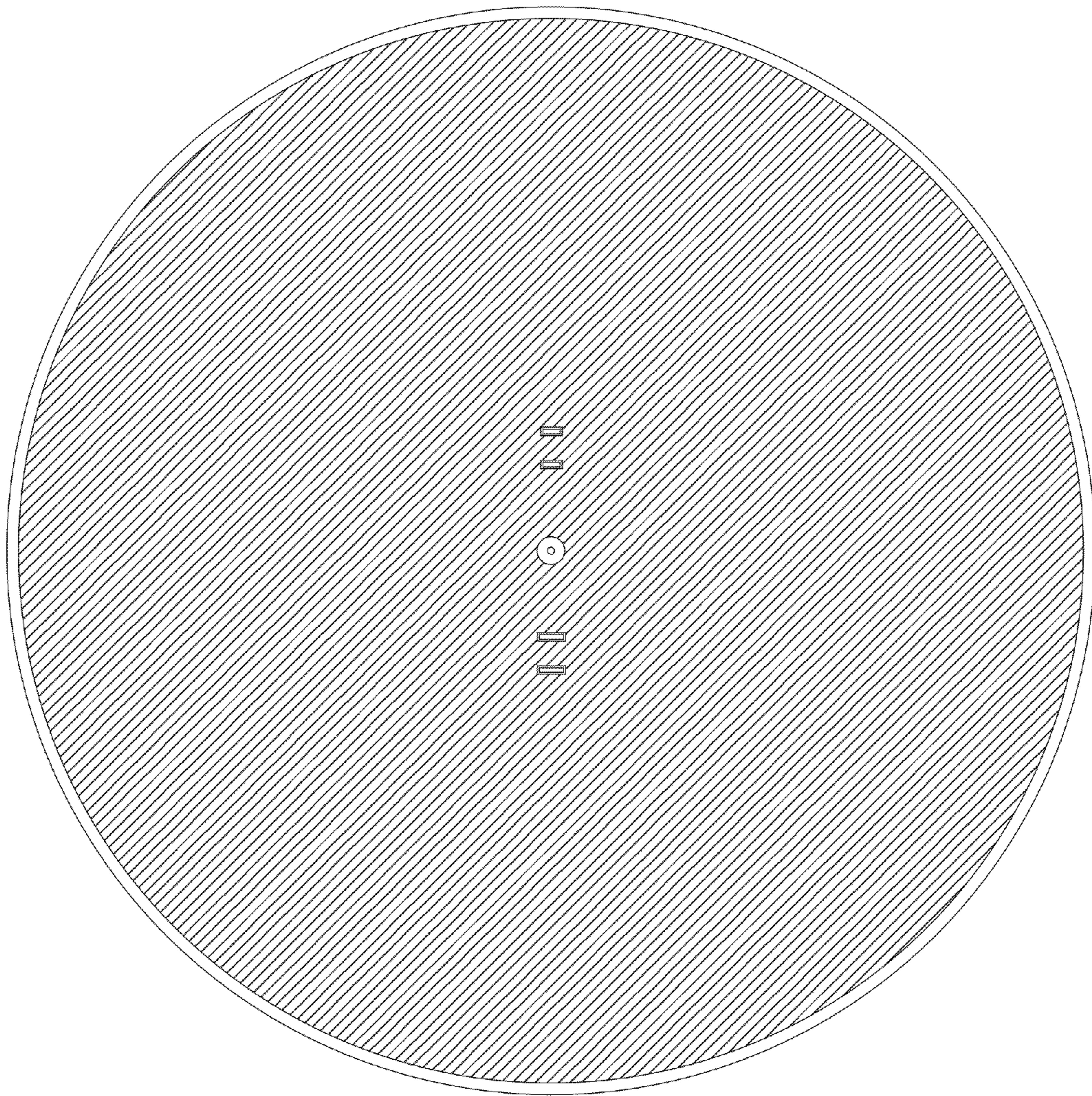


Fig. 3

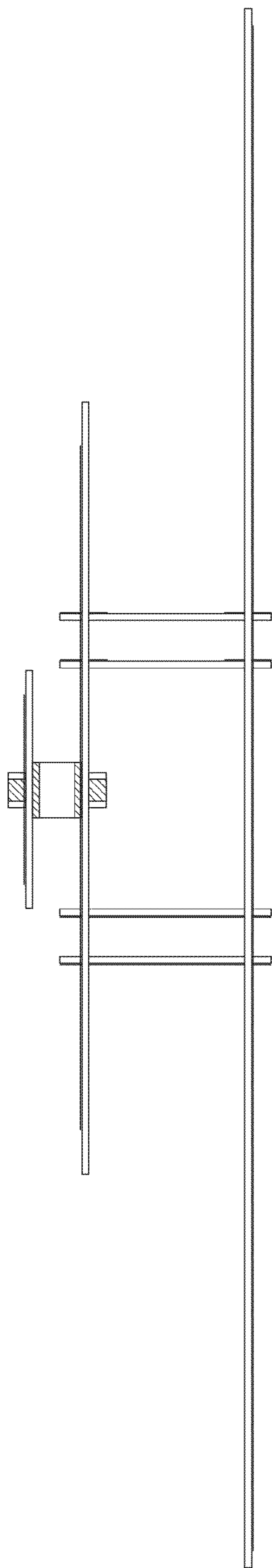


Fig. 4

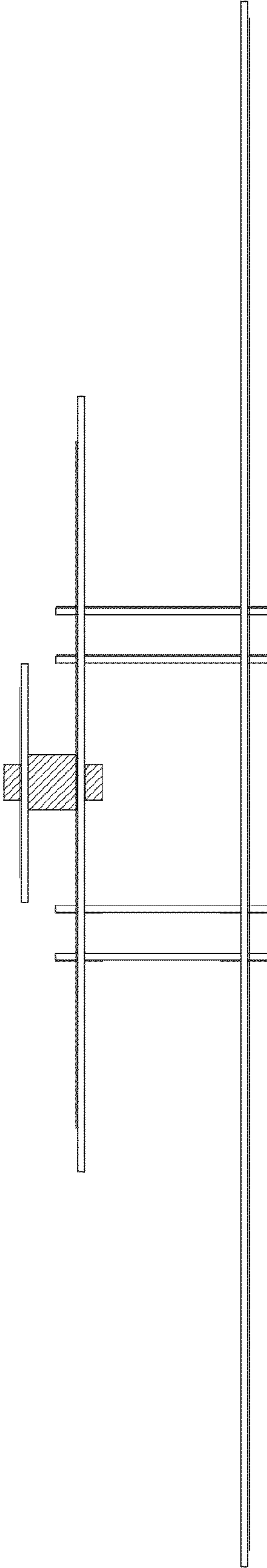


Fig. 5

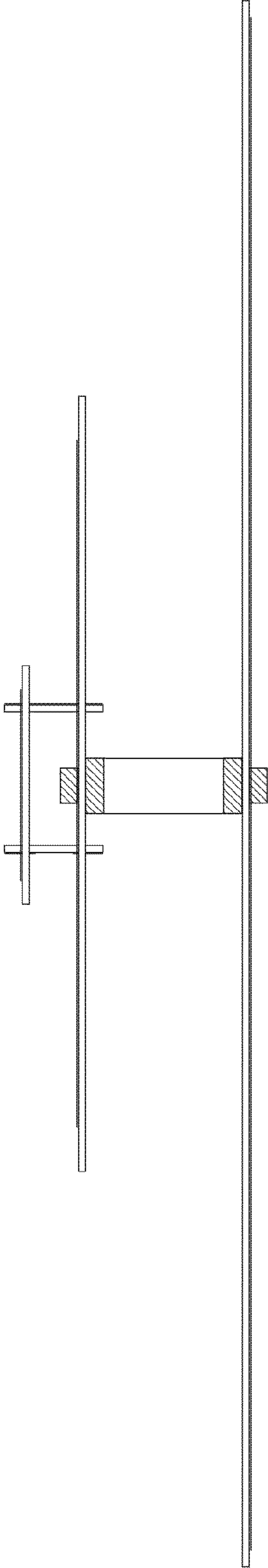


Fig. 6

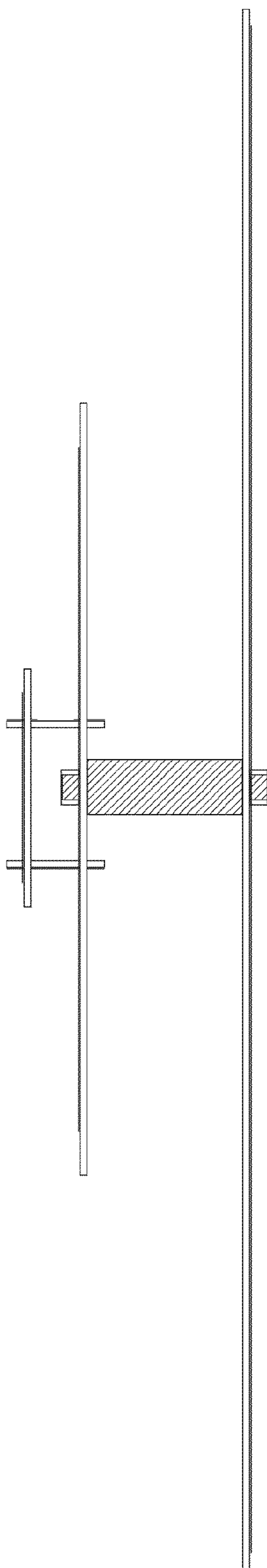


Fig. 7