



US00D713391S

(12) **United States Design Patent**
Ibuki et al.

(10) **Patent No.:** **US D713,391 S**
(45) **Date of Patent:** **** Sep. 16, 2014**

- (54) **MICROPHONE**
- (71) Applicant: **Nintendo Co., Ltd.**, Kyoto (JP)
- (72) Inventors: **Masato Ibuki**, Kyoto (JP); **Toshiaki Iwao**, Kyoto (JP); **Yoshitaka Tamura**, Kyoto (JP)
- (73) Assignee: **Nintendo Co., Ltd.**, Kyoto (JP)
- (**) Term: **14 Years**
- (21) Appl. No.: **29/468,376**
- (22) Filed: **Sep. 30, 2013**
- (51) **LOC (10) Cl.** **14-01**
- (52) **U.S. Cl.**
USPC **D14/228**
- (58) **Field of Classification Search**
CPC H04R 1/04; H04R 1/08; H04R 1/38;
H04R 2499/13; H04R 3/00; H04R 3/05;
H04R 19/04; B60R 11/0247; B60R 2001/1284
USPC D14/225-229, 496, 154, 155, 158, 159,
D14/204, 206, 217, 218, 299; D13/168;
381/58, 92, 174, 361, 365; 455/95;
257/416
See application file for complete search history.

6,842,528	B2 *	1/2005	Kuerti et al.	381/361
6,968,070	B1 *	11/2005	Chiang	381/361
D538,481	S *	3/2007	Decker	D28/89
D564,116	S *	3/2008	Linardos	D26/49
D618,397	S *	6/2010	Dubitsky et al.	D28/89
8,664,501	B2 *	3/2014	Miele et al.	84/454

OTHER PUBLICATIONS

http://www.youtube.com/watch?v=wQkw_gSgSuU; Audio Technica ATM510, Jan. 30, 2012.*
<http://www.sweetwater.com/store/detail/NT3>; Rode NT3, Reviews; Sep. 1, 2004.*
http://www.sweetwater.com/store/media/us_pro_sm58_specsheet.pdf; SM58 Microphone, copyright date 2009, Wayback Machine date Sep. 29, 2011.*
 Design U.S. Appl. No. 29/438,824, filed Dec. 4, 2012.

* cited by examiner

Primary Examiner — Thomas Johannes
Assistant Examiner — Holly E Thurman
 (74) *Attorney, Agent, or Firm* — Nixon & Vanderhye PC

(57) **CLAIM**
 The ornamental design for a microphone, as shown and described.

DESCRIPTION

FIG. 1 is a front, left and bottom perspective view of a microphone showing our design;
 FIG. 2 is a rear, right and top perspective view thereof;
 FIG. 3 is a front view thereof;
 FIG. 4 is a rear view thereof;
 FIG. 5 is a left side view thereof, a right side view being a mirror image thereof;
 FIG. 6 is a top plan view thereof; and,
 FIG. 7 is a bottom plan view thereof.

1 Claim, 2 Drawing Sheets

(56) **References Cited**

U.S. PATENT DOCUMENTS

4,344,184	A *	8/1982	Edwards	455/95
4,910,795	A *	3/1990	McCowen et al.	455/95
5,742,697	A *	4/1998	Ching-Chung	381/361
6,424,724	B1 *	7/2002	Ming-Cheng	381/361
6,597,796	B2 *	7/2003	Chang	381/361
6,671,382	B2 *	12/2003	Chen	381/355

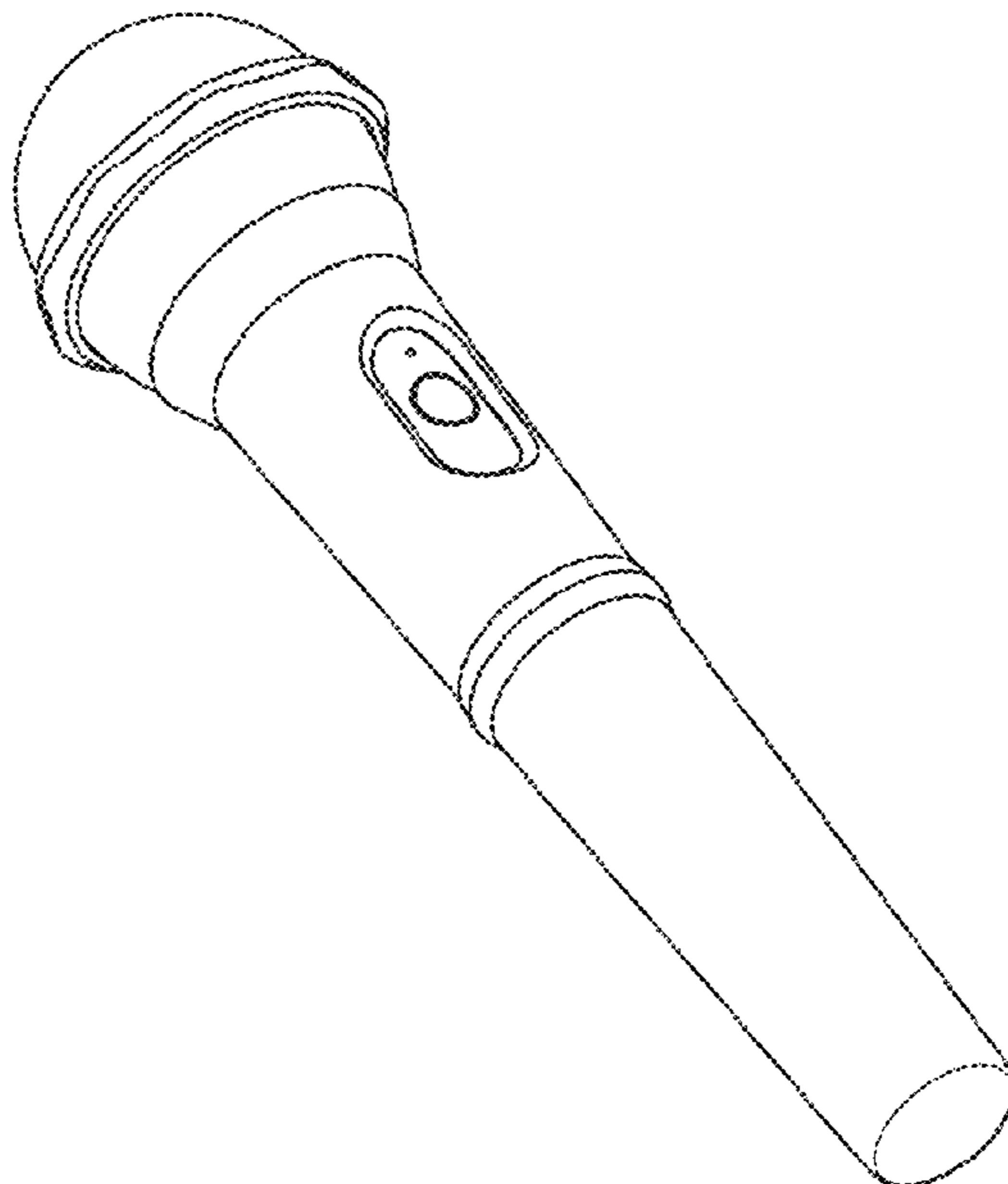


FIG. 1

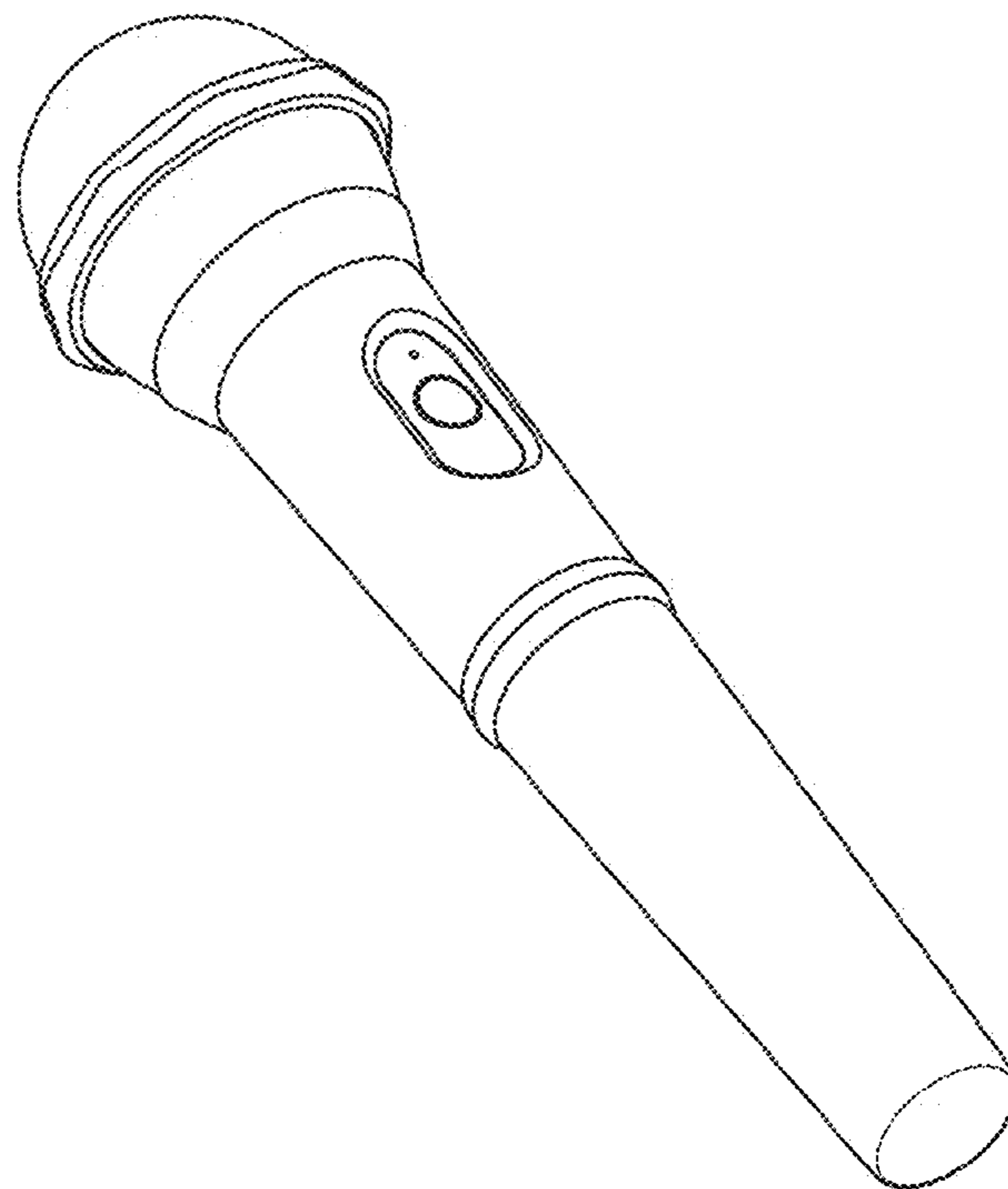


FIG. 2

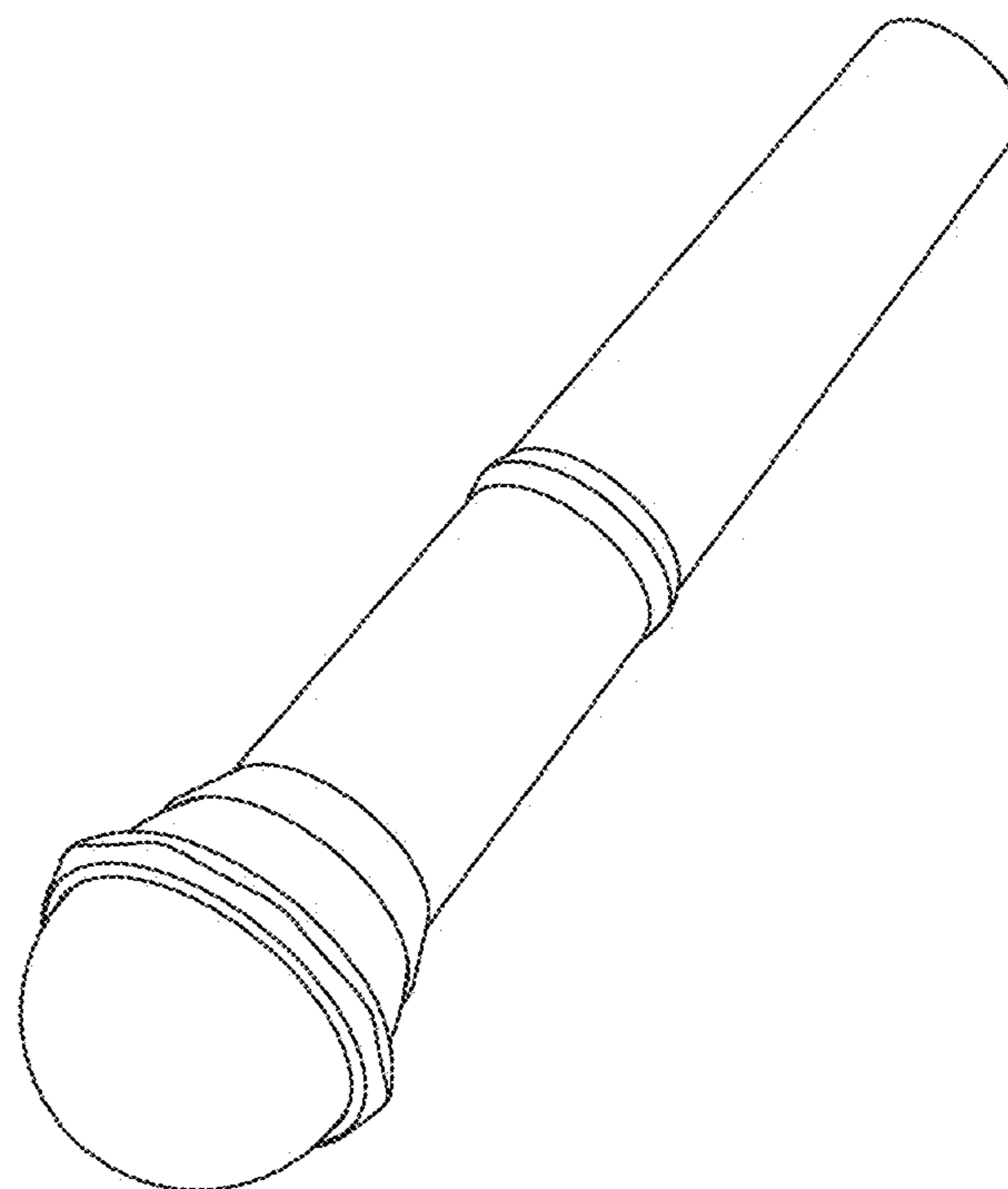


FIG. 3

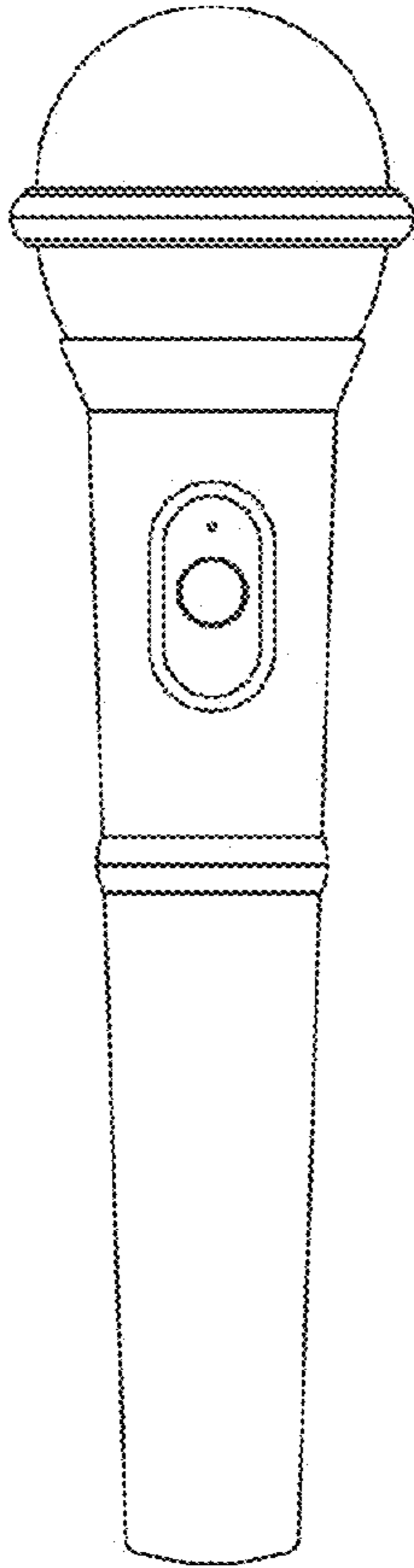


FIG. 4

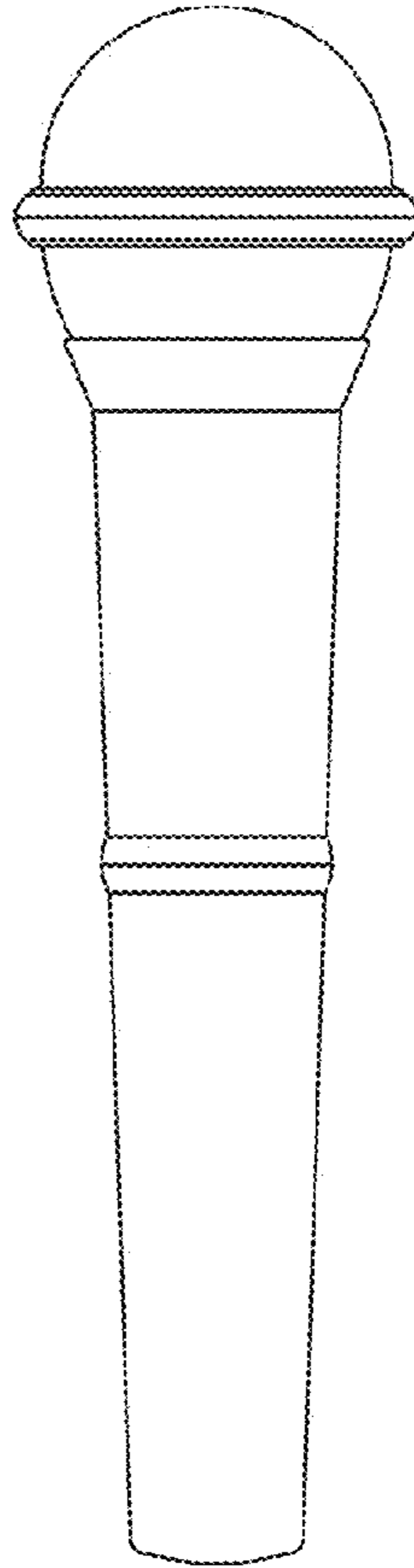


FIG. 5

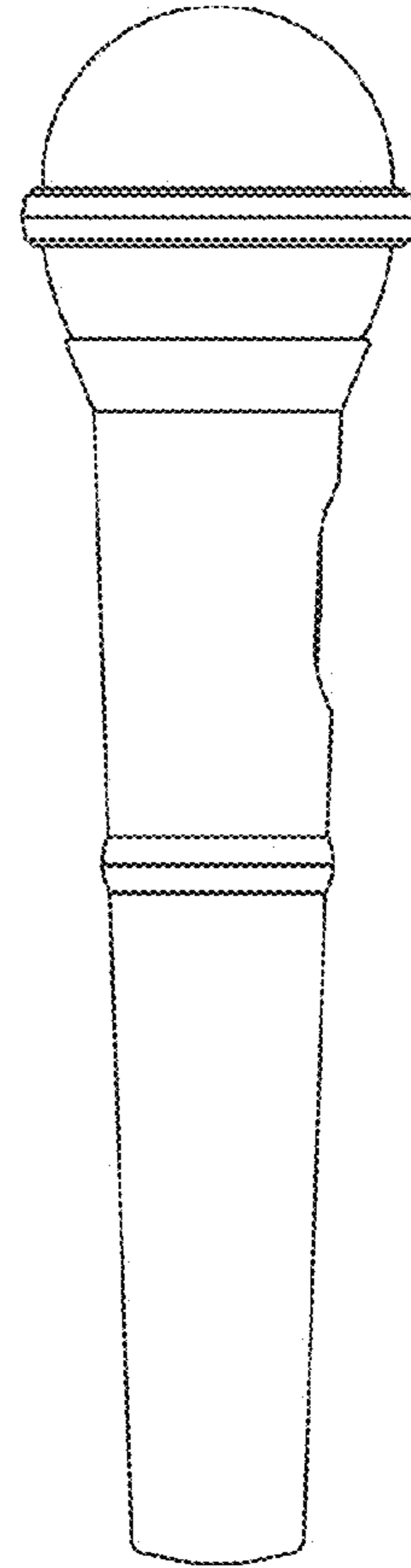


FIG. 6

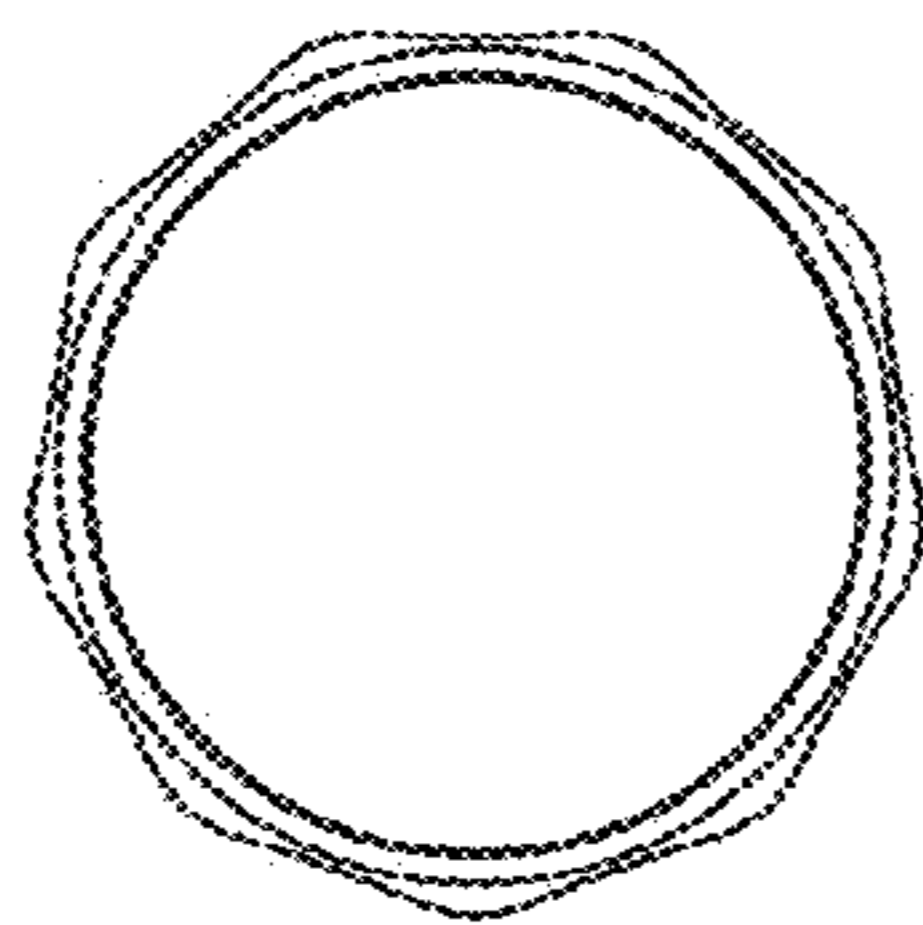


FIG. 7

