



US00D713390S

(12) **United States Design Patent**  
**Ibuki et al.**

(10) **Patent No.:** **US D713,390 S**  
(45) **Date of Patent:** **\*\* Sep. 16, 2014**

- (54) **MICROPHONE**
- (71) Applicant: **Nintendo Co., Ltd.**, Kyoto (JP)
- (72) Inventors: **Masato Ibuki**, Kyoto (JP); **Akiko Suga**, Kyoto (JP); **Toshiaki Iwao**, Kyoto (JP)
- (73) Assignee: **Nintendo Co., Ltd.**, Kyoto (JP)
- (\*\*) Term: **14 Years**
- (21) Appl. No.: **29/438,824**
- (22) Filed: **Dec. 4, 2012**

6,424,724	B1 *	7/2002	Ming-Cheng	381/361
6,597,796	B2 *	7/2003	Chang	381/361
6,671,382	B2 *	12/2003	Chen	381/355
6,842,528	B2 *	1/2005	Kuerti et al.	381/361
6,968,070	B1 *	11/2005	Chiang	381/361
D542,952	S *	5/2007	Bhavnani	D26/37
D546,990	S *	7/2007	Wang et al.	D26/37
8,664,501	B2 *	3/2014	Miele et al.	84/454

- (30) **Foreign Application Priority Data**
- Jun. 4, 2012 (JP) ..... 2012-013256
- (51) **LOC (10) Cl.** ..... **14-01**
- (52) **U.S. Cl.**
- USPC ..... **D14/228**
- (58) **Field of Classification Search**
- CPC ..... H04R 1/04; H04R 1/08; H04R 1/38;  
H04R 2499/13; H04R 3/00; H04R 3/05;  
H04R 19/04; B60R 11/0247; B60R 2001/1284
- USPC ..... D14/225-229, 496, 154, 155, 158, 159,  
D14/204, 206, 217, 218, 299; D13/168;  
455/95; 381/58, 92, 174, 361, 365;  
257/416
- See application file for complete search history.

**OTHER PUBLICATIONS**

[http://www.youtube.com/watch?v=wQkw\\_gSgSuU](http://www.youtube.com/watch?v=wQkw_gSgSuU); Audio Technica ATM510, Jan. 30, 2012.\*

[http://www.sweetwater.com/store/media/us\\_pro\\_sm58\\_specsheet.pdf](http://www.sweetwater.com/store/media/us_pro_sm58_specsheet.pdf); SM58 Microphone, copyright date 2009, Wayback Machine date Sep. 29, 2011.\*

\* cited by examiner

*Primary Examiner* — Thomas Johannes  
*Assistant Examiner* — Holly E Thurman

(74) *Attorney, Agent, or Firm* — Nixon & Vanderhye PC

- (56) **References Cited**
- U.S. PATENT DOCUMENTS**
- 4,344,184 A \* 8/1982 Edwards ..... 455/95
- 4,910,795 A \* 3/1990 McCowen et al. .... 455/95
- 5,742,697 A \* 4/1998 Ching-Chung ..... 381/361

(57) **CLAIM**

The ornamental design for a microphone, as shown and described.

**DESCRIPTION**

FIG. 1 is a front, bottom and left perspective view of a microphone showing our new design;  
FIG. 2 is a rear, top and right perspective view thereof;  
FIG. 3 is a front view thereof;  
FIG. 4 is a rear view thereof;  
FIG. 5 is a top plan view thereof;  
FIG. 6 is a bottom plan view thereof; and,  
FIG. 7 is a left side view thereof, a right side view being a mirror image thereof.

**1 Claim, 2 Drawing Sheets**

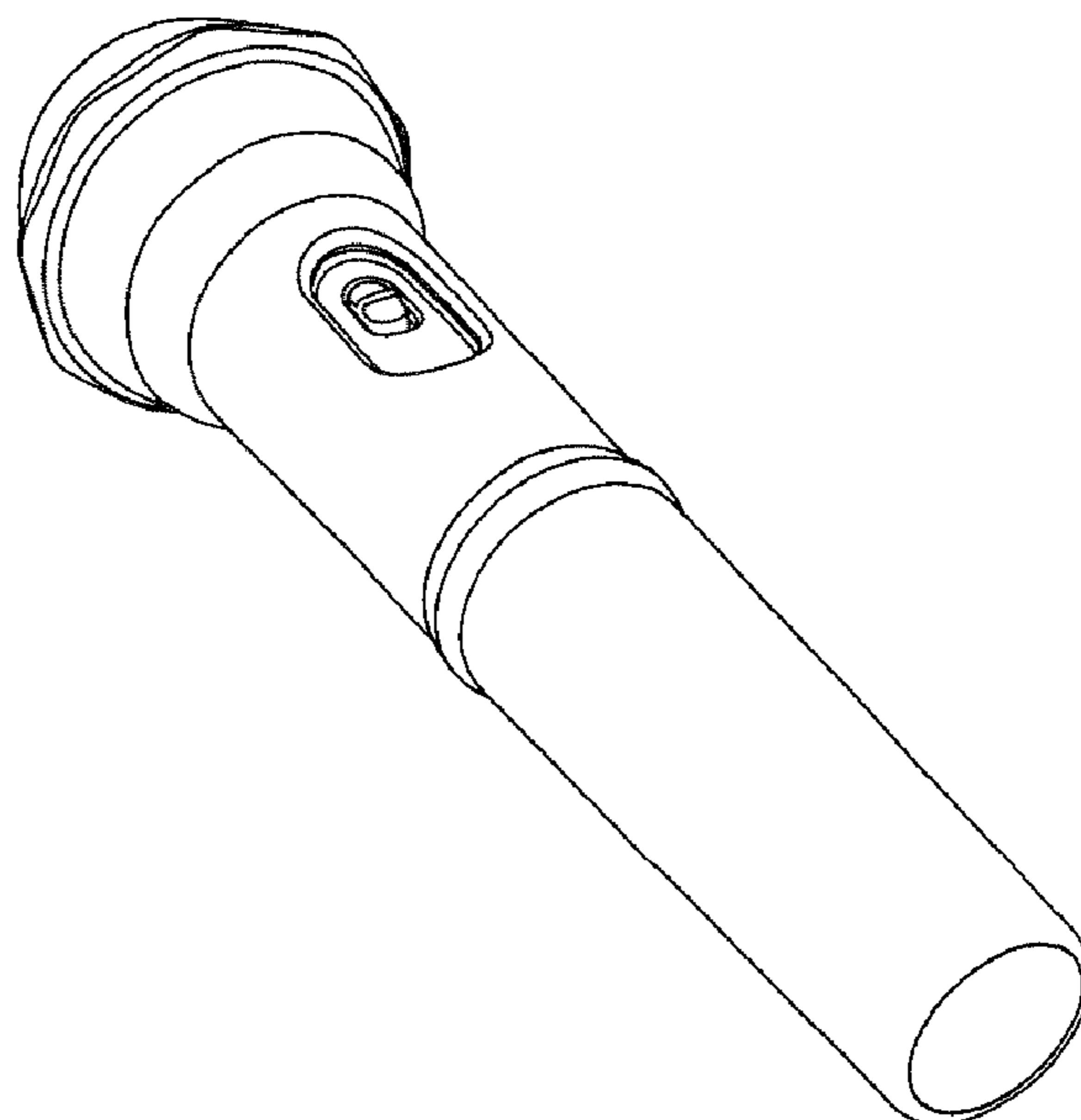


FIG. 1

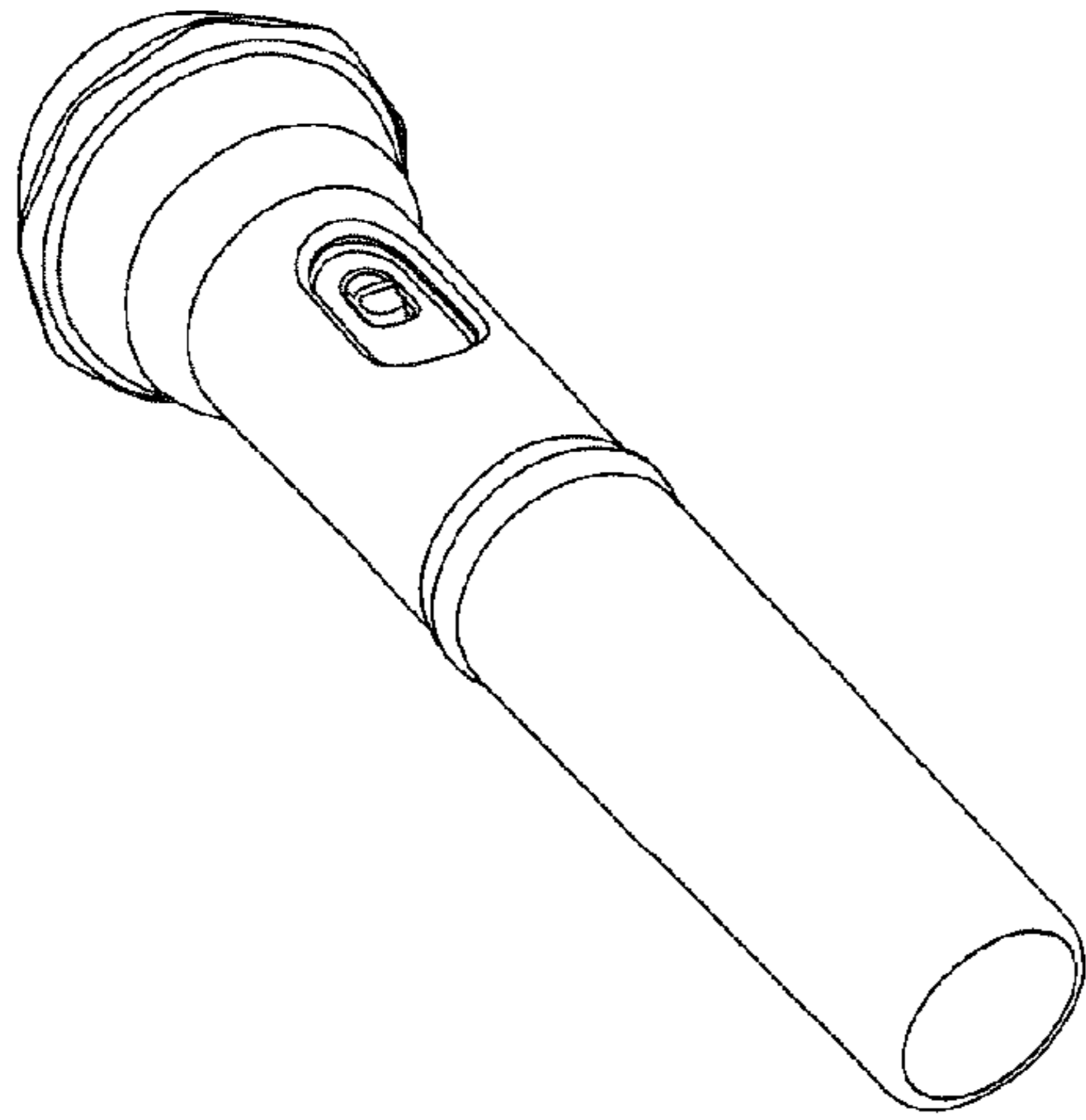


FIG. 2

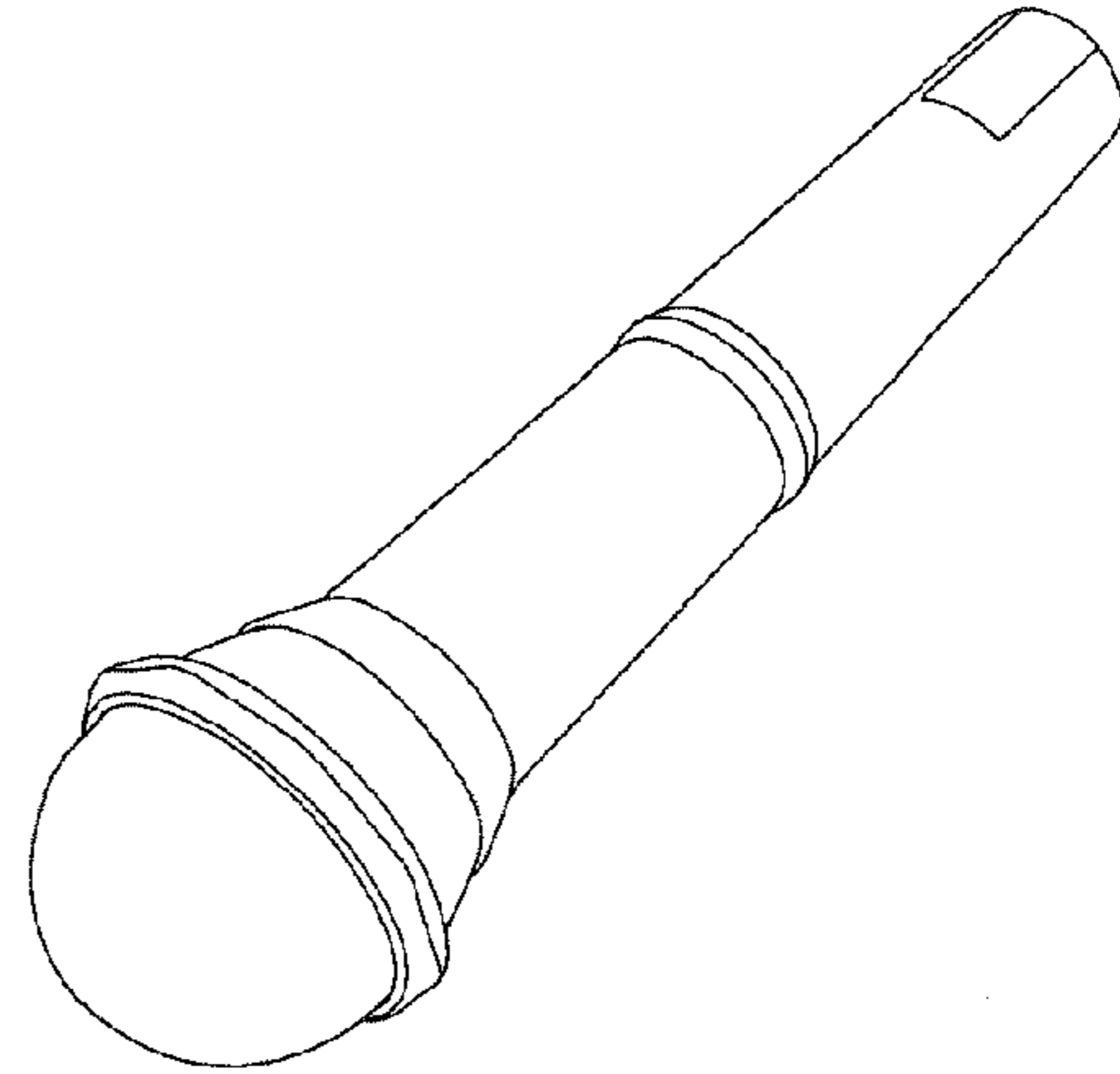


FIG. 3

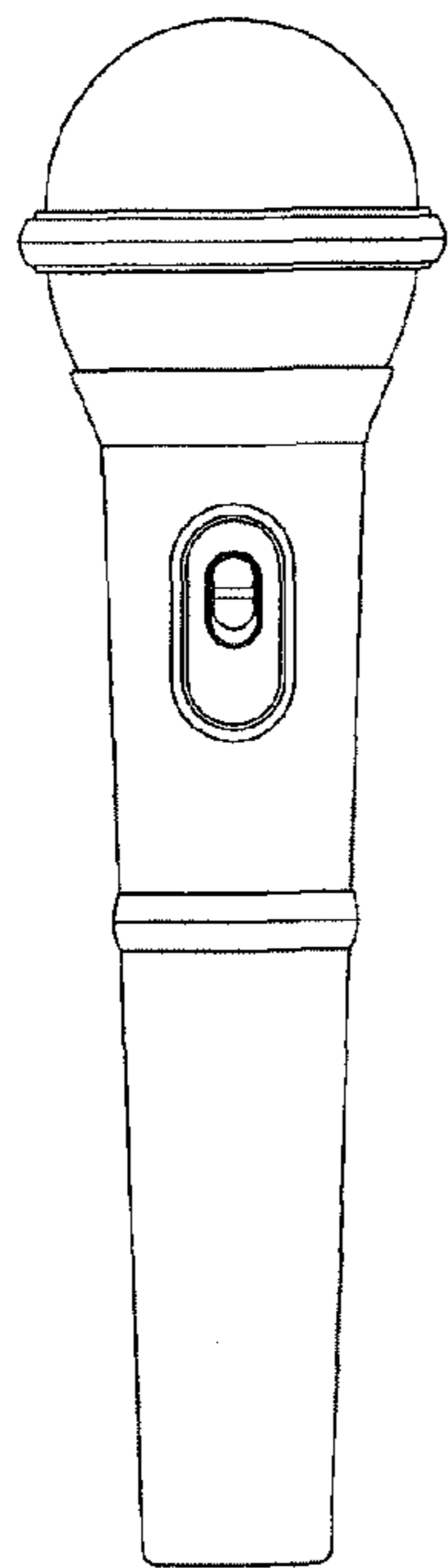


FIG. 4

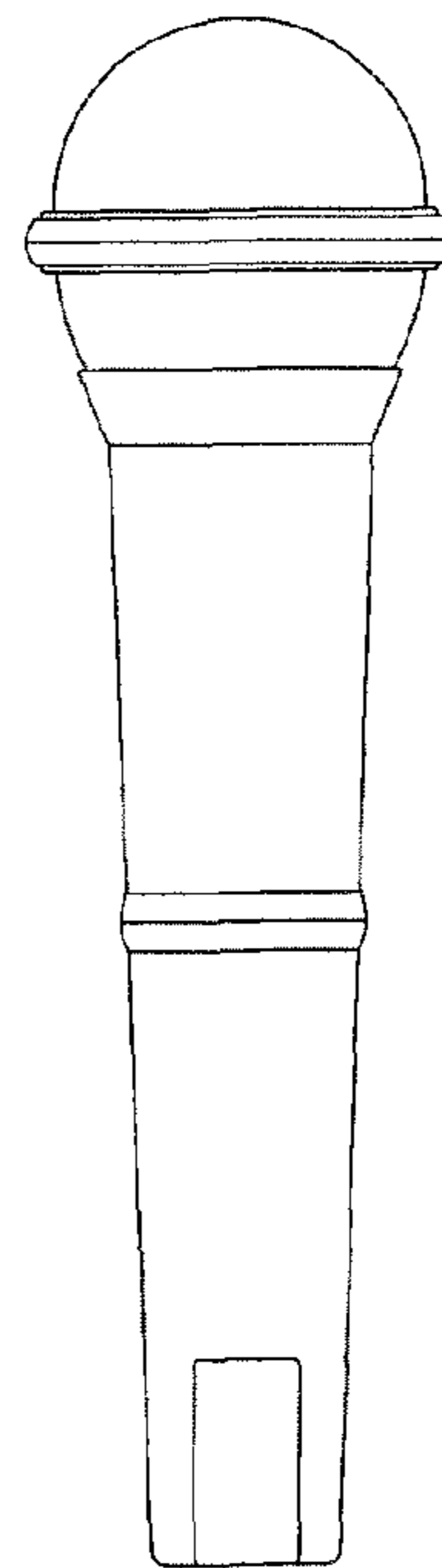


FIG. 5

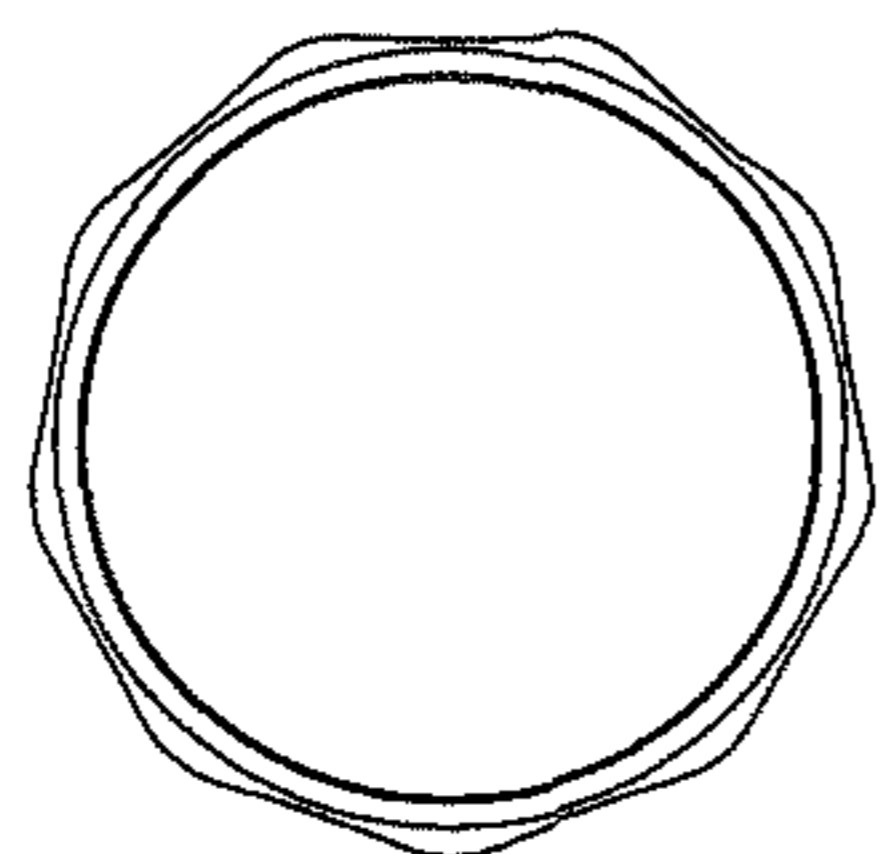


FIG. 6

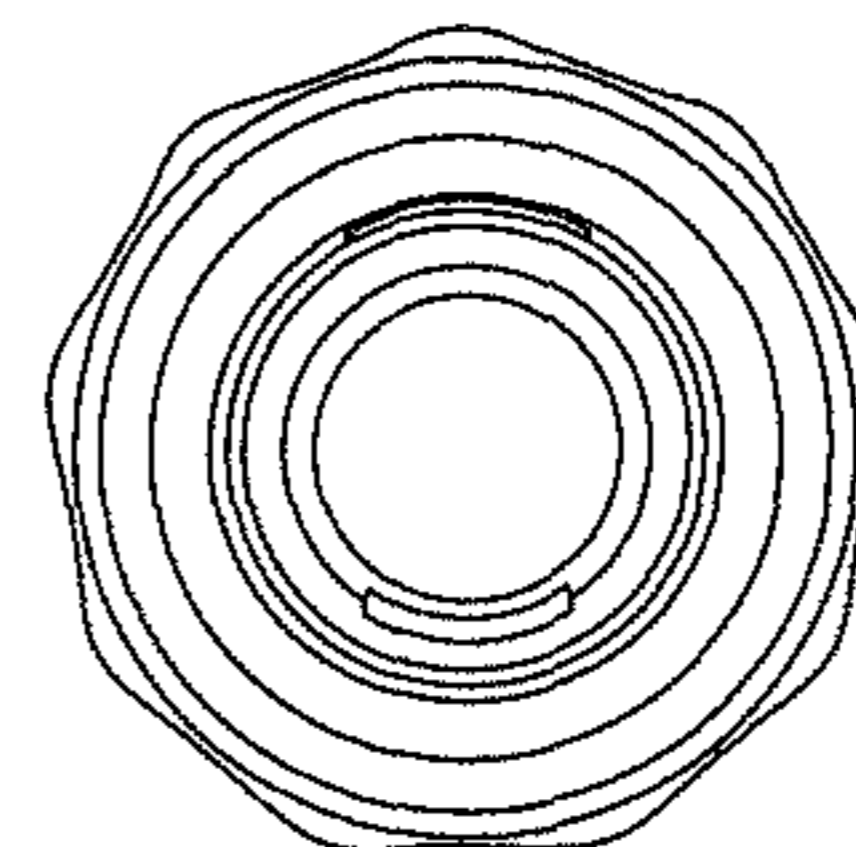


FIG. 7

