



US00D713389S

(12) **United States Design Patent**  
**Behar et al.**

(10) **Patent No.:** **US D713,389 S**  
(45) **Date of Patent:** **\*\* Sep. 16, 2014**

- (54) **EXPANDING SPEAKER BASE**
- (71) Applicant: **ALIPHCOM**, San Francisco, CA (US)
- (72) Inventors: **Yves Albert Behar**, San Francisco, CA (US); **Naoya Edihiro**, San Francisco, CA (US); **Qin Li**, San Francisco, CA (US); **Gabriel J. Lamb**, San Francisco, CA (US); **William Hardy Chambliss**, San Francisco, CA (US)
- (73) Assignee: **AliphCom**, San Francisco, CA (US)
- (\*\*) Term: **14 Years**
- (21) Appl. No.: **29/459,900**
- (22) Filed: **Jul. 3, 2013**
- (51) **LOC (10) Cl.** ..... **14-01**
- (52) **U.S. Cl.**  
USPC ..... **D14/224**
- (58) **Field of Classification Search**  
CPC ..... H04R 1/02  
USPC ..... D14/224, 209.1, 224.1, 211, 214, 216, 219, 204, 447, 434; 381/386, 387; 361/679.41; D21/333; 248/346.01, 248/678, 346.07; 40/606.18  
See application file for complete search history.

(56) **References Cited**

**U.S. PATENT DOCUMENTS**

1,400,564	A	*	12/1921	Metzger	.....	248/473
D330,021	S	*	10/1992	Kline et al.	.....	D14/447
D489,707	S		5/2004	Kobayashi		
D531,986	S		11/2006	Azumi et al.		
D538,259	S	*	3/2007	Okamura et al.	.....	D14/172
D545,299	S	*	6/2007	Tsuge	.....	D14/214
D546,318	S		7/2007	Yoon et al.		
D558,774	S	*	1/2008	Najima	.....	D14/447
D568,289	S		5/2008	Solland		
D575,350	S	*	8/2008	Ashida et al.	.....	D21/333
D580,856	S	*	11/2008	Haspil et al.	.....	D13/108

D582,390	S	*	12/2008	Hasegawa et al.	.....	D14/214
D589,939	S		4/2009	Hsu		
D597,529	S		8/2009	Tan et al.		
D625,156	S	*	10/2010	Wong	.....	D7/679

(Continued)

**OTHER PUBLICATIONS**

Notice of Allowance from related U.S. Appl. No. 29/378,325 dated May 10, 2011.

(Continued)

*Primary Examiner* — Paula Greene

(74) *Attorney, Agent, or Firm* — Kilpatrick Townsend & Stockton LLP

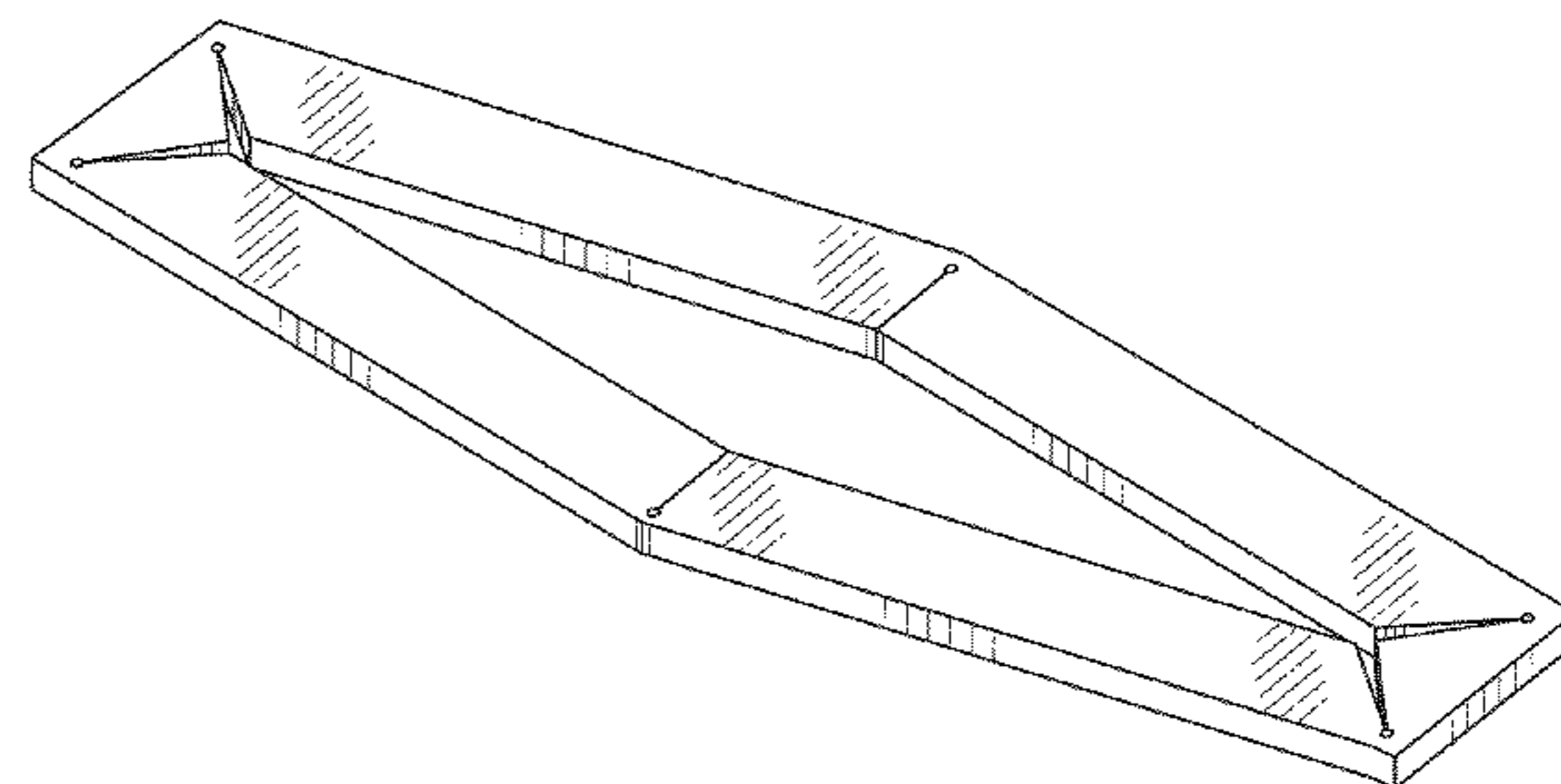
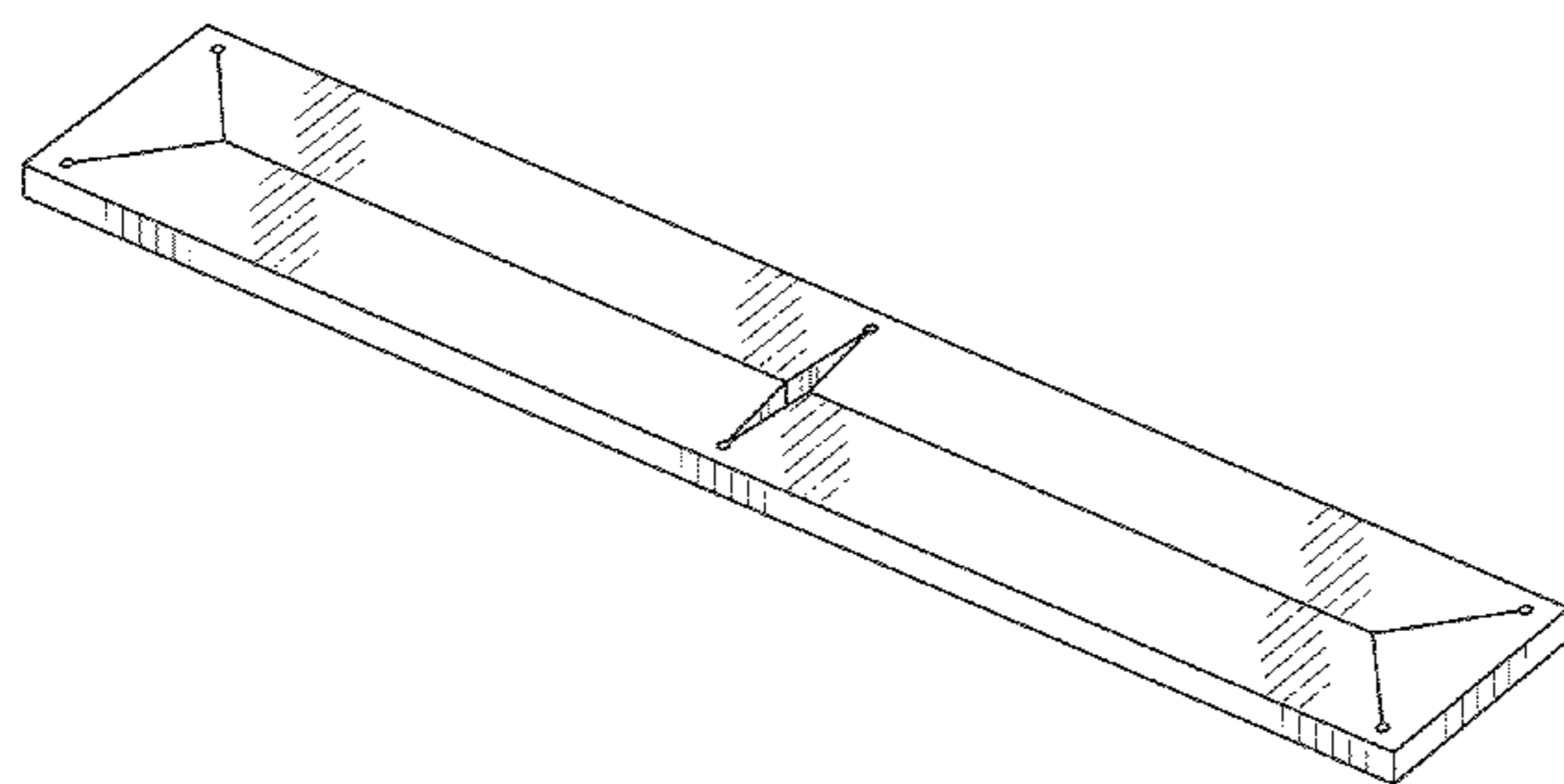
(57) **CLAIM**

The ornamental design for an expanding speaker base, as shown and described.

**DESCRIPTION**

FIG. 1 is a perspective view of an expanding speaker base, in a closed position, showing our new design;  
 FIG. 2 is a front elevational view thereof;  
 FIG. 3 is a rear elevational view thereof;  
 FIG. 4 is a right side elevational view thereof;  
 FIG. 5 is a left side elevational view thereof;  
 FIG. 6 is a top plan view thereof;  
 FIG. 7 is a bottom plan view thereof;  
 FIG. 8 is a perspective view of the expanding speaker base, alone, shown in a closed position;  
 FIG. 9 is a perspective view of the expanding speaker base, in an open position;  
 FIG. 10 is a top plan view of an expanding speaker base alone, in an open position, showing our new design; and,  
 FIG. 11 is a perspective view thereof.  
 The broken line showing on the drawing disclosure is for illustrative purposes only and forms no part of the claimed design.

**1 Claim, 9 Drawing Sheets**



(56)

**References Cited**

U.S. PATENT DOCUMENTS

D625,707 S	*	10/2010	Solland .....	D14/214
D640,699 S	*	6/2011	McParland .....	D14/434
D640,705 S	*	6/2011	Sogabe .....	D14/447
D645,024 S		9/2011	Behar et al.	
D647,525 S	*	10/2011	Seto .....	D14/434
D652,019 S		1/2012	Behar et al.	
D652,020 S		1/2012	Behar et al.	
D655,689 S		3/2012	Behar et al.	
D661,686 S	*	6/2012	Bolton .....	D14/209.1
D670,271 S		11/2012	Tzeng	
D672,355 S	*	12/2012	Lee et al. ....	D14/447
D677,245 S	*	3/2013	Joseph .....	D14/209.1
D678,244 S		3/2013	Behar et al.	
D678,864 S		3/2013	Behar et al.	
D678,865 S		3/2013	Behar et al.	
D690,679 S	*	10/2013	Chang .....	D14/204
D693,329 S	*	11/2013	Lee et al. ....	D14/216
D698,757 S		2/2014	Behar et al.	
D698,758 S		2/2014	Behar et al.	
D698,759 S		2/2014	Behar et al.	

OTHER PUBLICATIONS

Notice of Allowance from related U.S. Appl. No. 29/445,283, dated Sep. 23, 2013, 9 pages.  
 Notice of Allowance from related U.S. Appl. No. 29/413,571, dated Nov. 8, 2012, 11 pages.  
 Notice of Allowance from related U.S. Appl. No. 29/413,572, dated Nov. 9, 2012, 10 pages.  
 Notice of Allowance from related U.S. Appl. No. 29/413,573, dated Nov. 5, 2012, 9 pages.

U.S. Appl. No. 29/445,284, filed Sep. 9, 2013, inventor Yves Albert Behar.  
 U.S. Appl. No. 29/466,527, filed Sep. 9, 2013, inventor Yves Albert Behar.  
 U.S. Appl. No. 29/466,531, filed Sep. 9, 2013, inventor Yves Albert Behar.  
 U.S. Appl. No. 29/466,534, filed Sep. 9, 2013, inventor Yves Albert Behar.  
 U.S. Appl. No. 466,536, filed Sep. 9, 2013, inventor Yves Albert Behar.  
 U.S. Appl. No. 29/466,539, filed Sep. 9, 2013, inventor Yves Albert Behar.  
 European Design Certificate No. 002185330-0001, dated Feb. 15, 2013, 8 pages.  
 European Design Certificate No. 002185330-0002, dated Feb. 15, 2013, 8 pages.  
 European Design Certificate No. 002185330-0003, dated Feb. 15, 2013, 8 pages.  
 European Design Certificate No. 002185330-0004, dated Feb. 15, 2013, 3 pages.  
 European Design Certificate No. 002185330-0005, dated Feb. 15, 2013, 3 pages.  
 European Design Certificate No. 002185330-0006, dated Feb. 15, 2013, 3 pages.  
 European Design Certificate No. 002185330-0007, dated Feb. 15, 2013, 3 pages.  
 European Design Certificate No. 002185330-0008, dated Feb. 15, 2013, 3 pages.  
 European Design Certificate No. 002185330-0009, dated Feb. 15, 2013, 3 pages.

\* cited by examiner

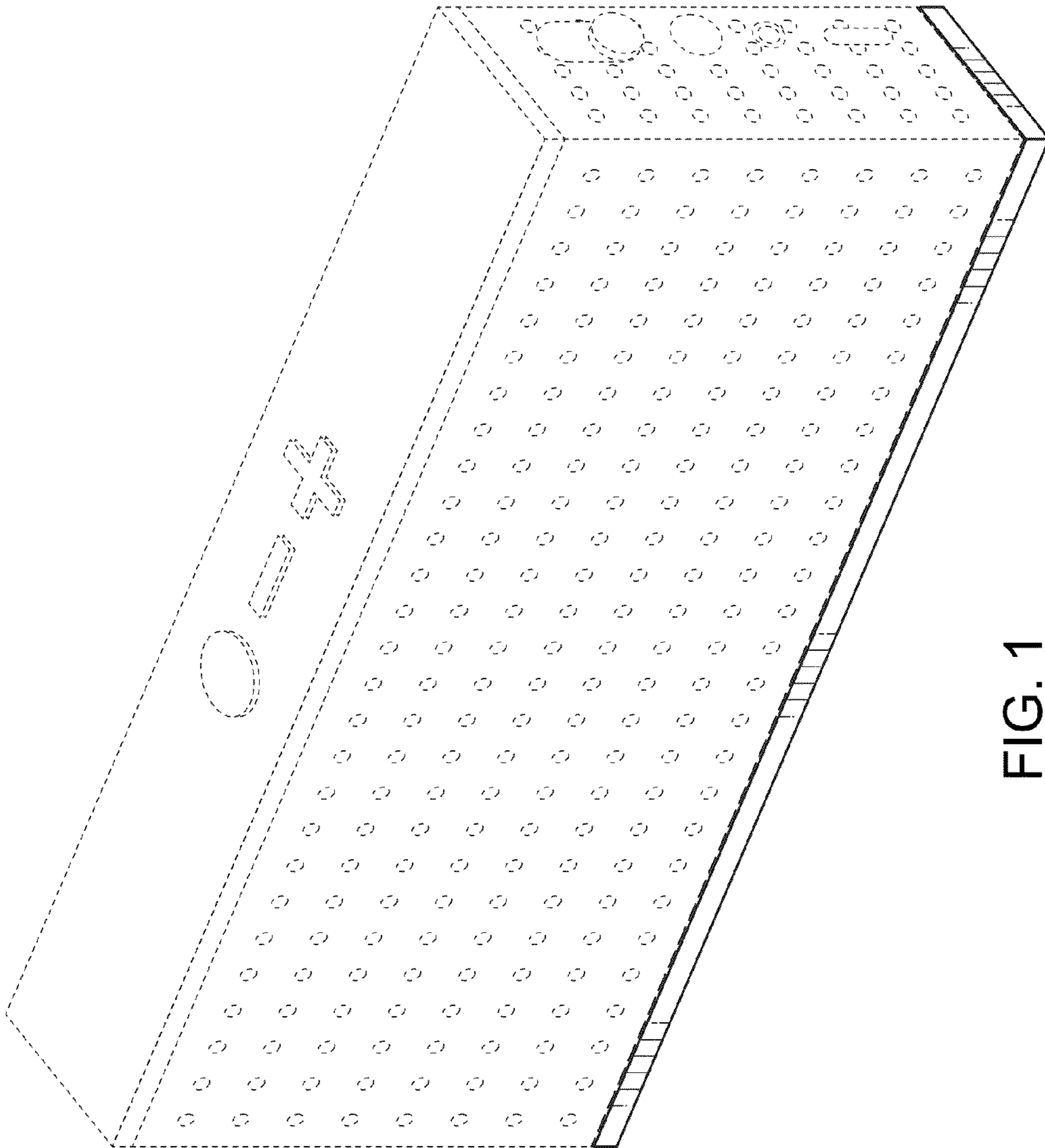


FIG. 1

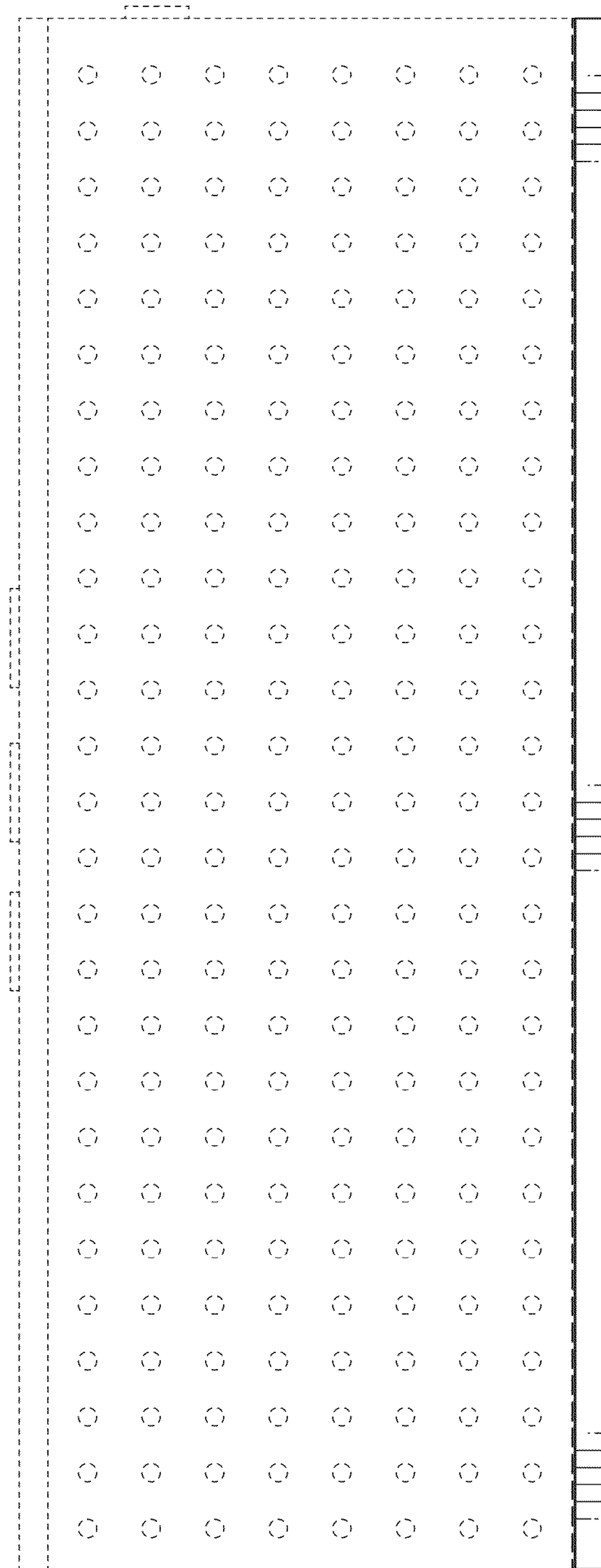


FIG. 2

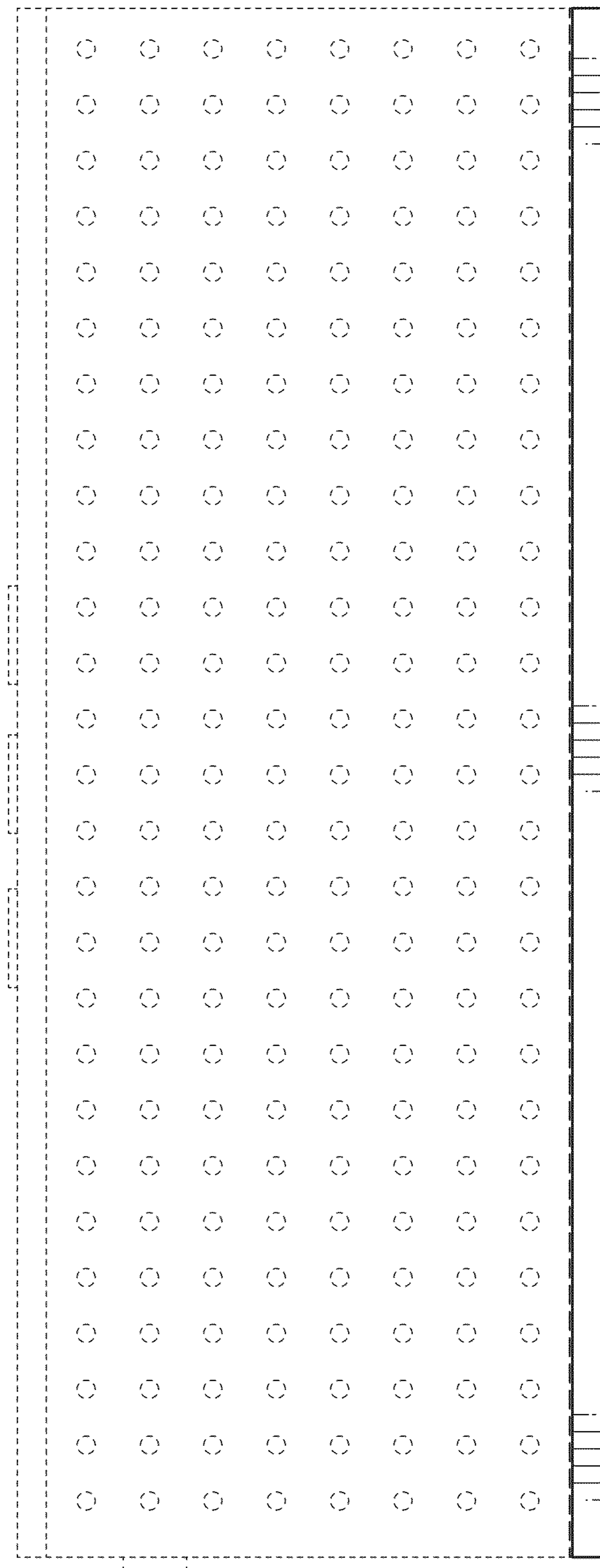


FIG. 3

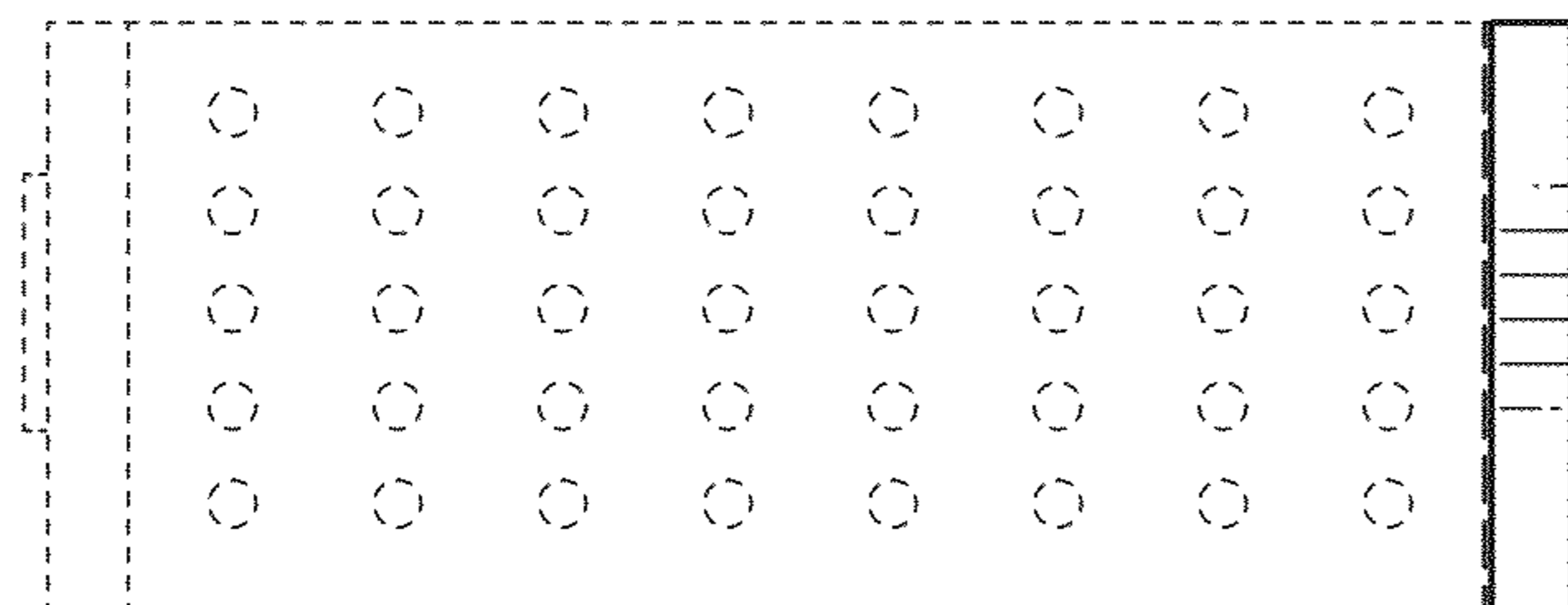


FIG. 5

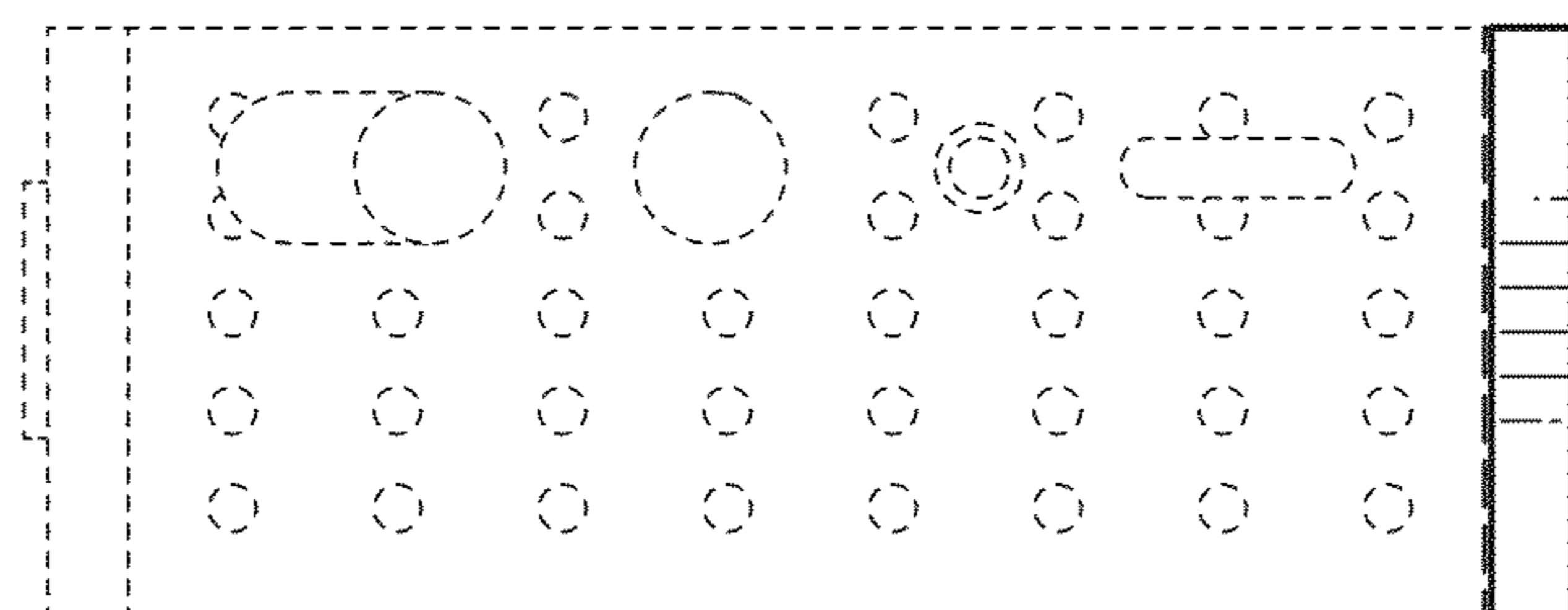


FIG. 4

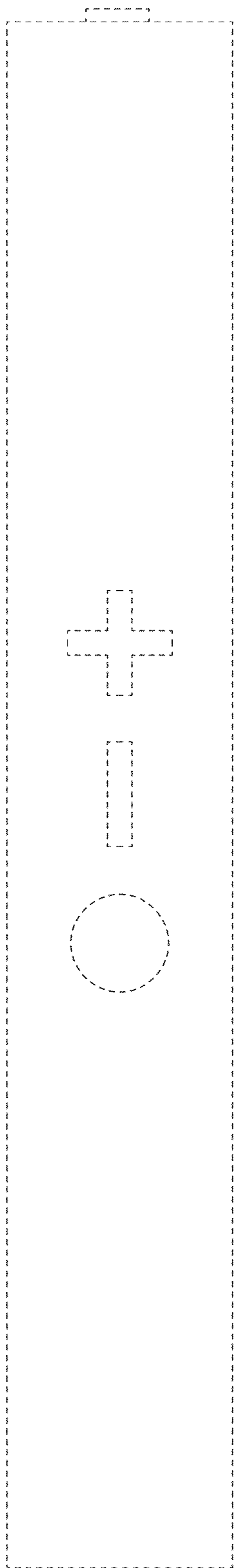


FIG. 6

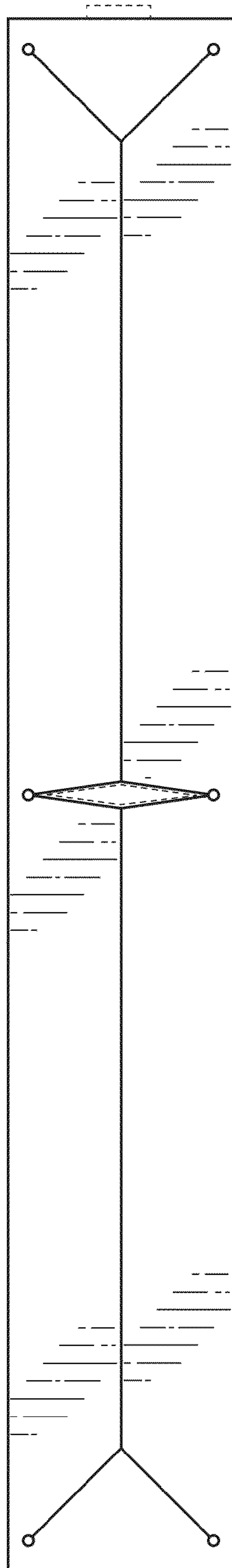


FIG. 7

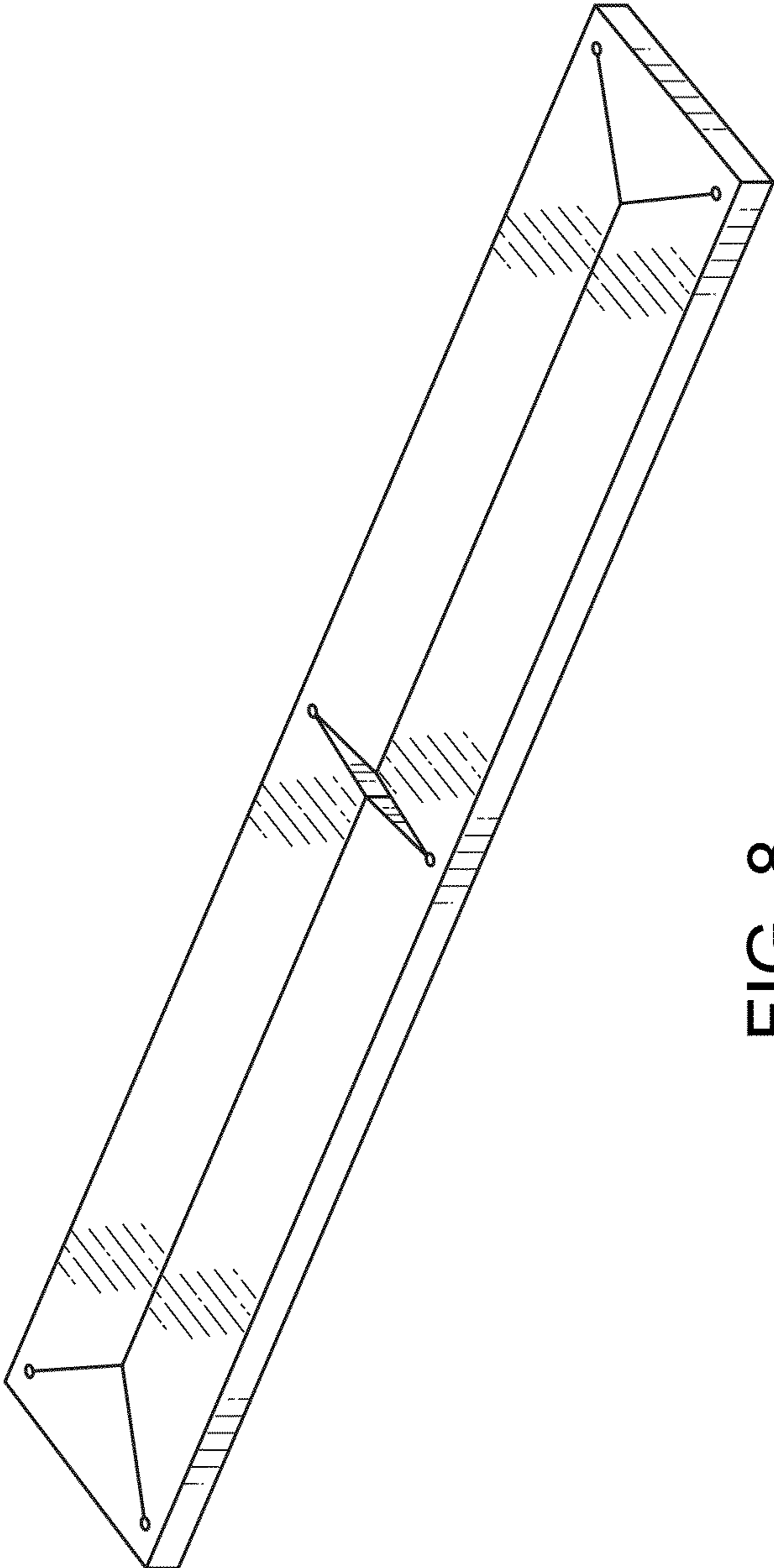


FIG. 8



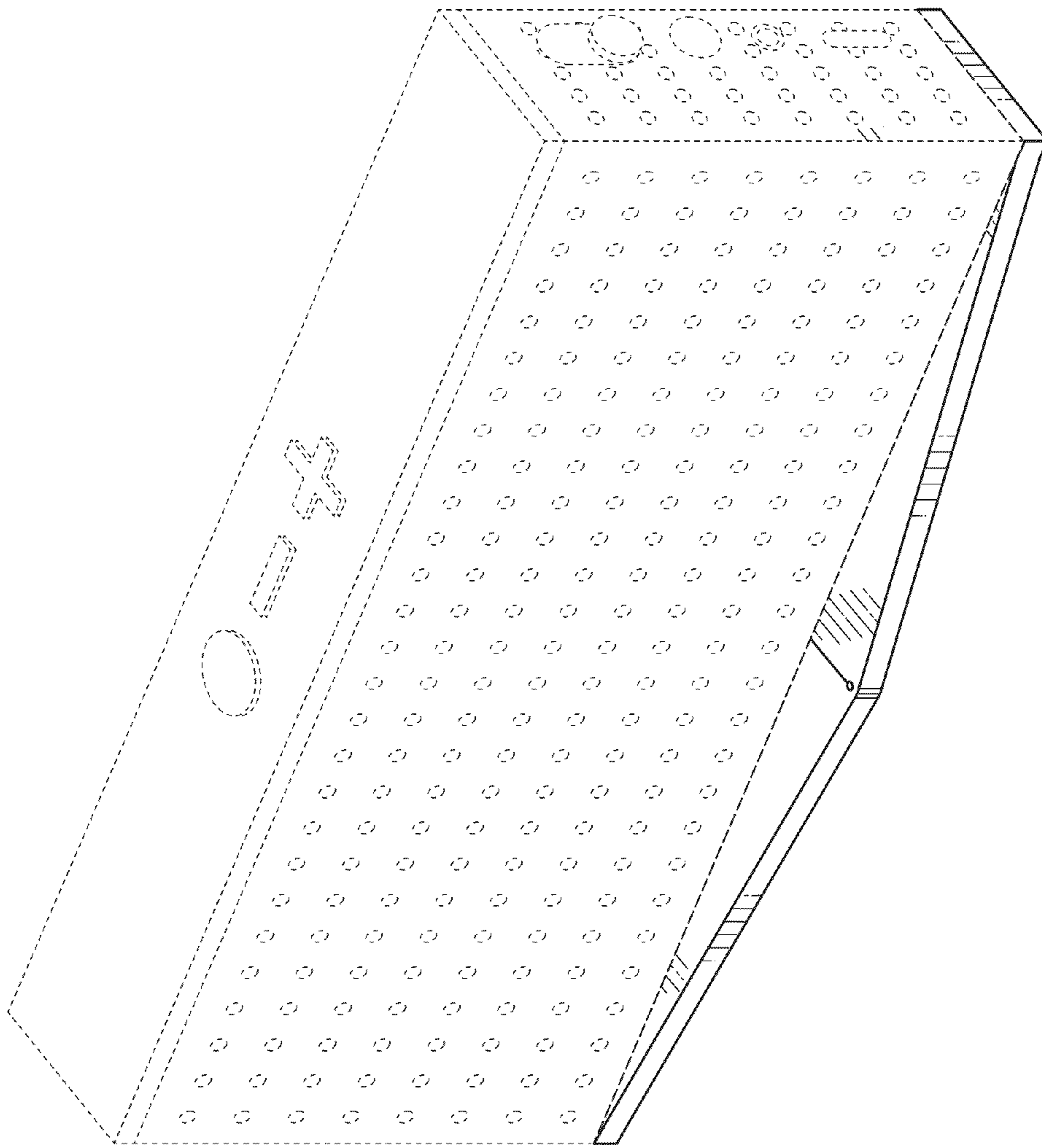


FIG. 9

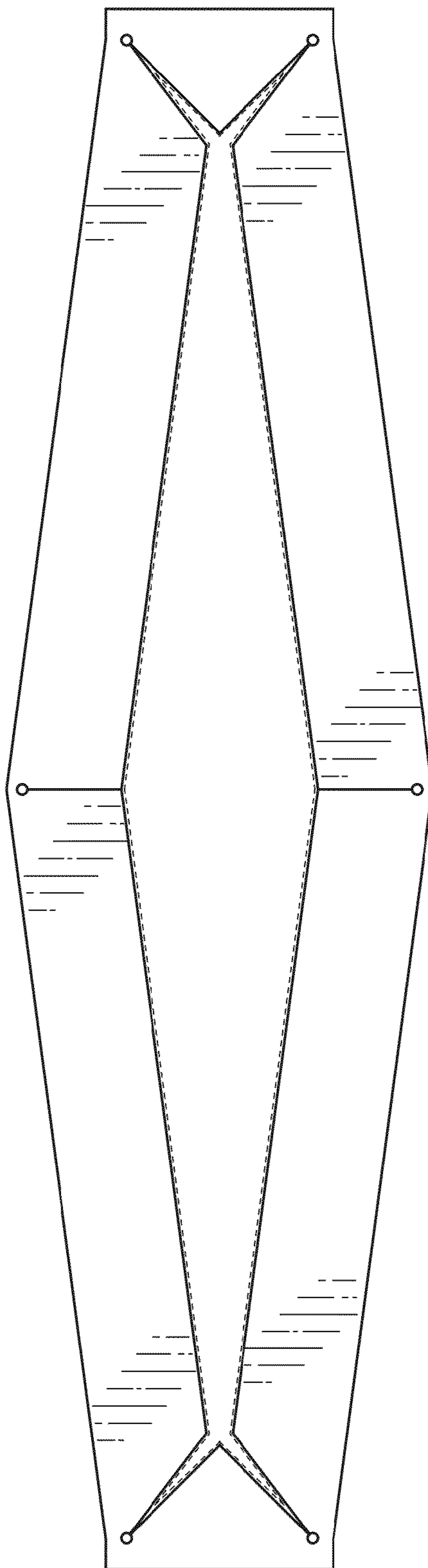


FIG. 10

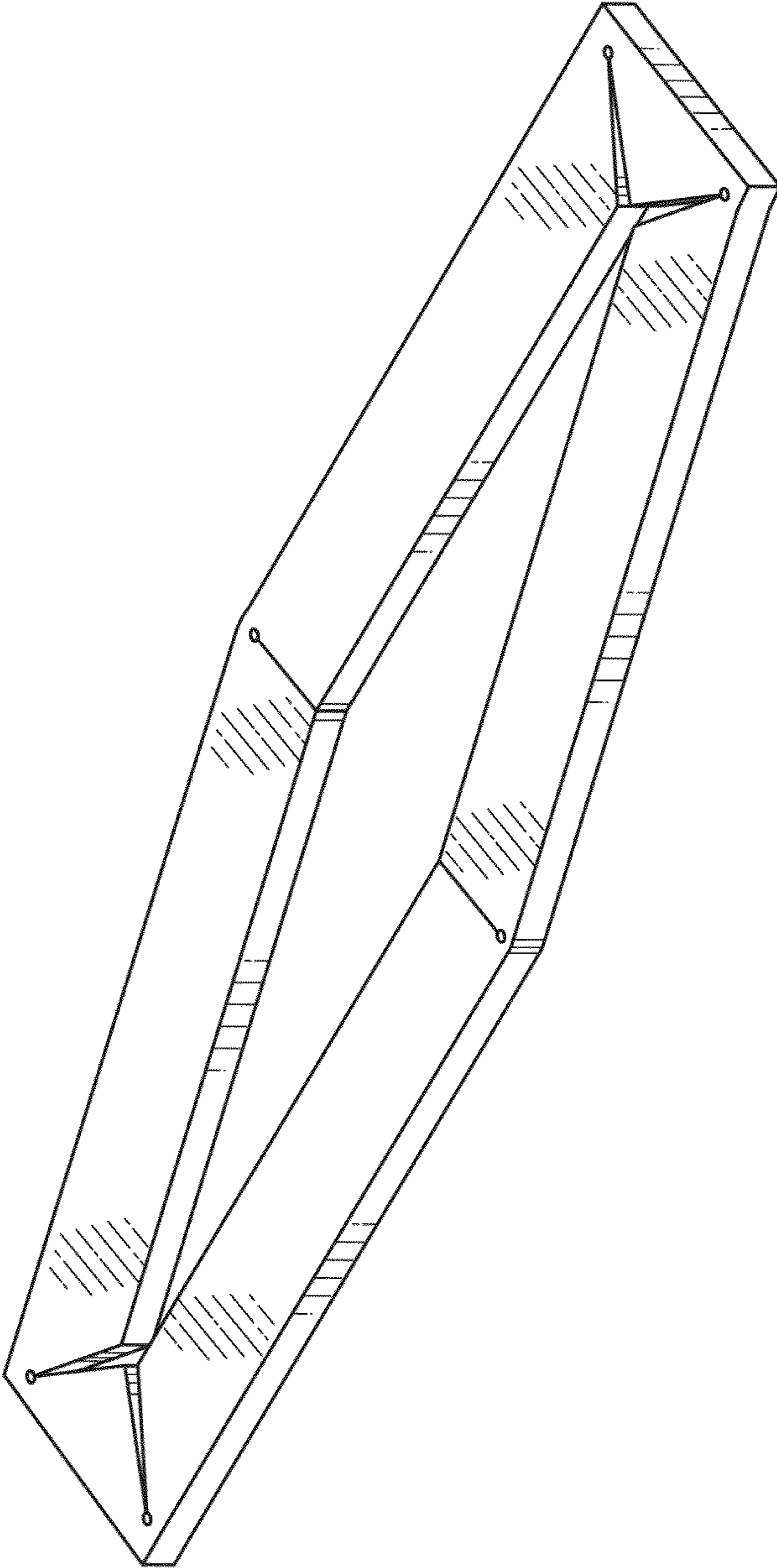


FIG. 11