



US00D713388S

(12) **United States Design Patent**
Lin

(10) **Patent No.:** **US D713,388 S**

(45) **Date of Patent:** **** Sep. 16, 2014**

(54) **EARPHONE JACK FOR TELEPHONE BASE**

(71) Applicant: **Pi-Fen Lin**, Taipei (TW)

(72) Inventor: **Pi-Fen Lin**, Taipei (TW)

(**) Term: **14 Years**

(21) Appl. No.: **29/449,378**

(22) Filed: **Mar. 15, 2013**

(51) **LOC (10) Cl.** **14-01**

(52) **U.S. Cl.**
USPC **D14/224**; D14/142

(58) **Field of Classification Search**
USPC D14/140, 149, 150, 151, 163, 206, 208,
D14/209.1, 240, 249, 251–253; 455/41.2,
455/569.1; 379/419, 420, 420.04, 428
See application file for complete search history.

(56) **References Cited**

U.S. PATENT DOCUMENTS

2,256,637	A *	9/1941	Anderson	439/877
3,712,271	A *	1/1973	Greathouse	119/770
D294,352	S *	2/1988	Read	D14/149
4,796,150	A *	1/1989	Dickey et al.	361/119
D305,119	S *	12/1989	Pfeifer et al.	D14/142
5,102,129	A *	4/1992	Roberts	473/414
D352,711	S *	11/1994	Solomita et al.	D14/149
D353,373	S *	12/1994	Delhaes	D14/149
D354,487	S *	1/1995	Nogas	D14/151

D395,306	S *	6/1998	Backs et al.	D14/149
D514,081	S *	1/2006	Beasley et al.	D14/149
D514,544	S *	2/2006	Beasley et al.	D14/149
D581,917	S *	12/2008	Lin	D14/240

* cited by examiner

Primary Examiner — Thomas Johannes

Assistant Examiner — Holly E Thurman

(74) *Attorney, Agent, or Firm* — Li & Cai Intellectual Property (USA) Office

(57) **CLAIM**

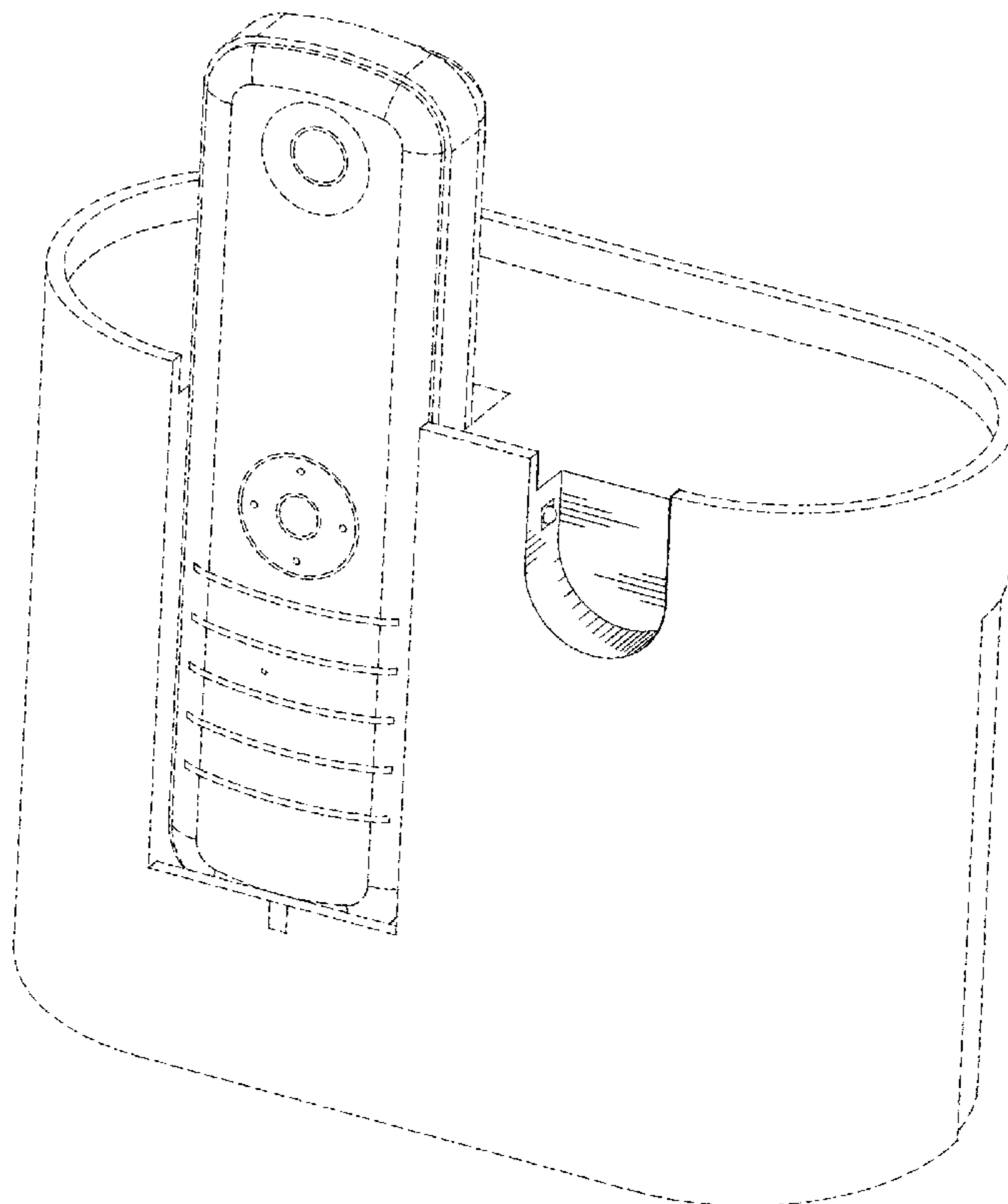
The ornamental design for an “earphone jack for telephone base,” as shown and described.

DESCRIPTION

FIG. 1 is a perspective view of an earphone jack for telephone base showing my new design;
FIG. 2 is a front view thereof;
FIG. 3 is a rear view thereof;
FIG. 4 is a left side view thereof;
FIG. 5 is a right side view thereof;
FIG. 6 is a top view thereof;
FIG. 7 is a bottom view thereof; and,
FIG. 8 is a perspective view showing the practical usage thereof.

The broken lines depict unclaimed portions of the earphone jack for telephone base only, which form no part of the claimed design.

1 Claim, 7 Drawing Sheets



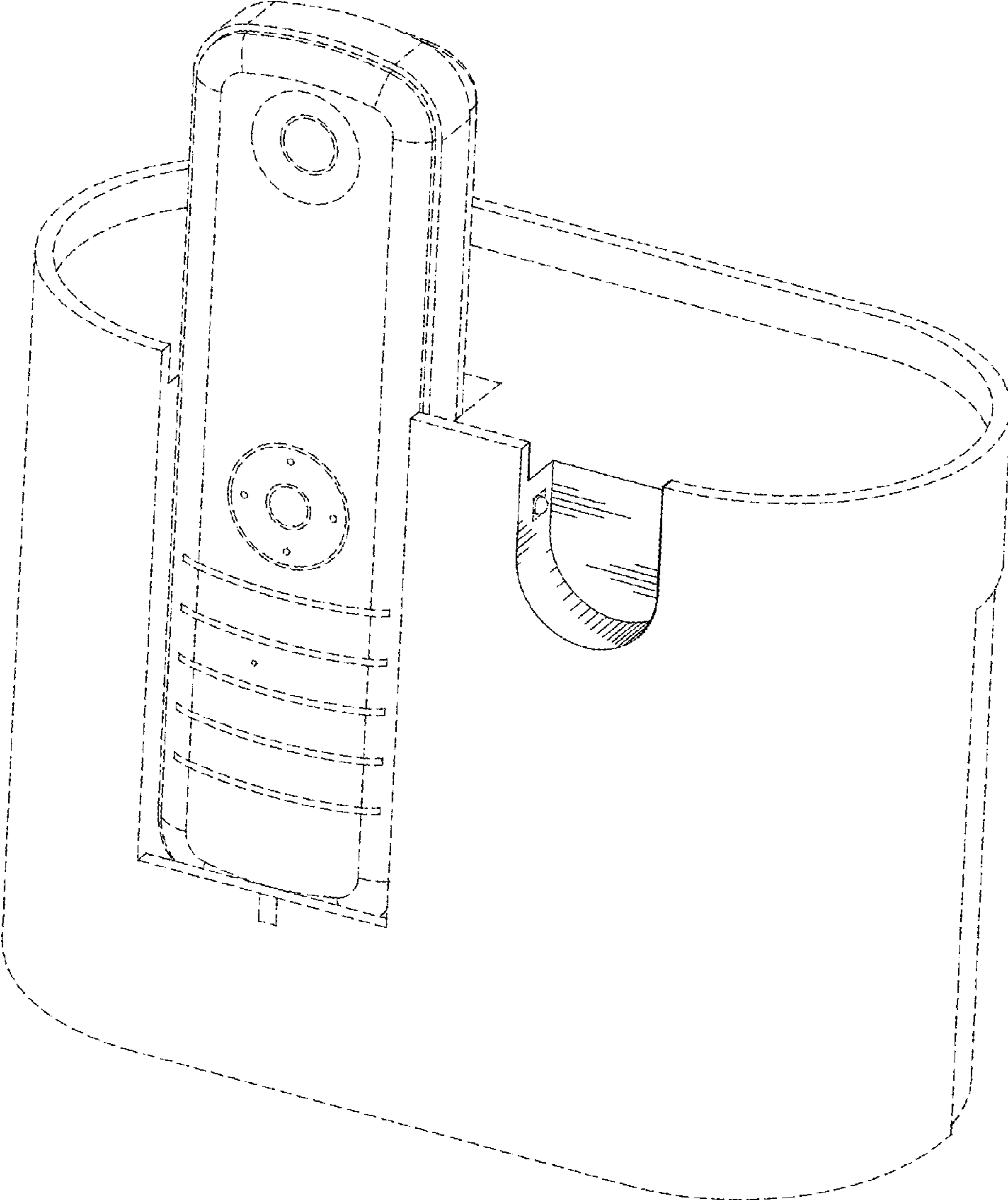


FIG.1

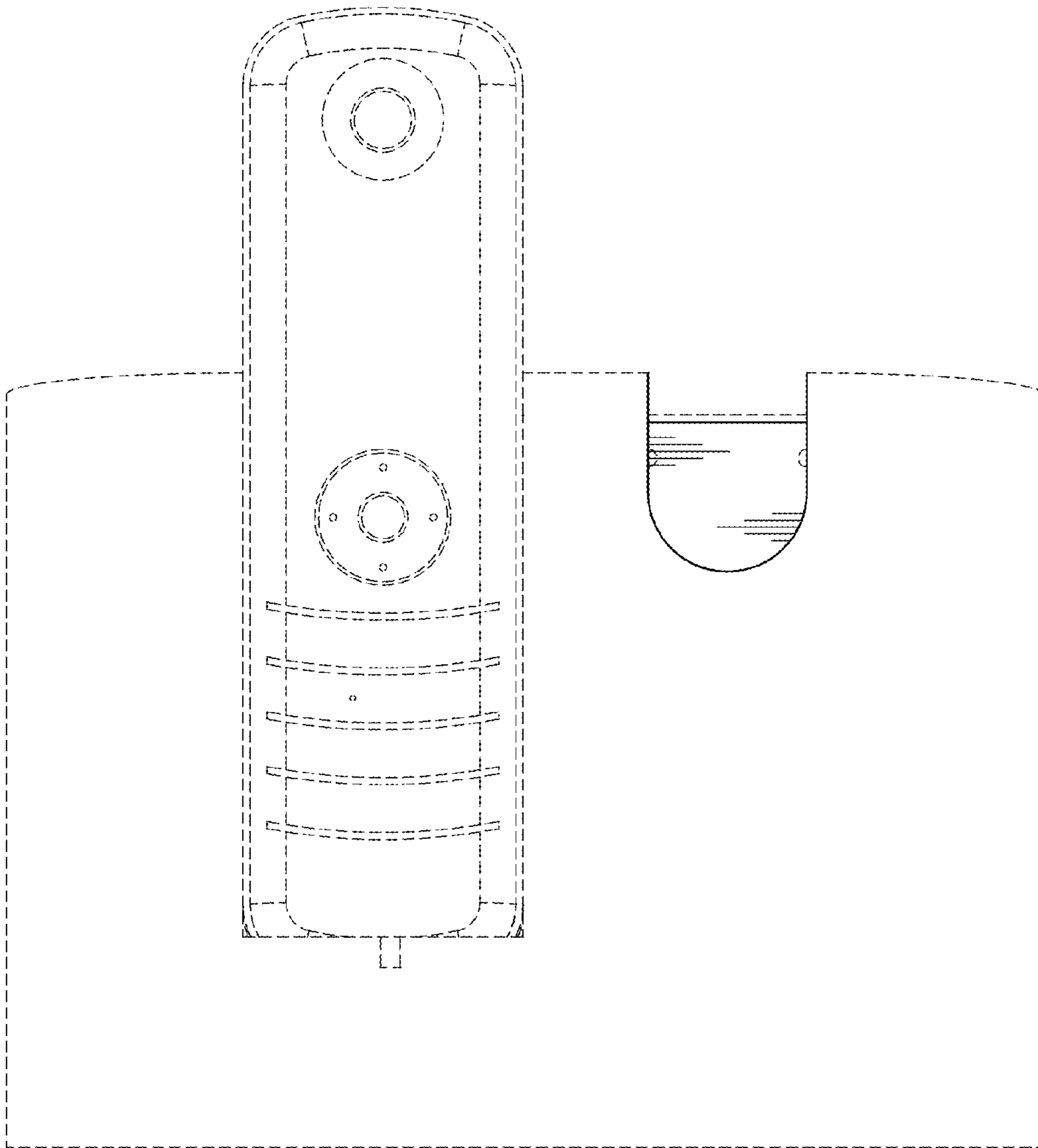


FIG.2

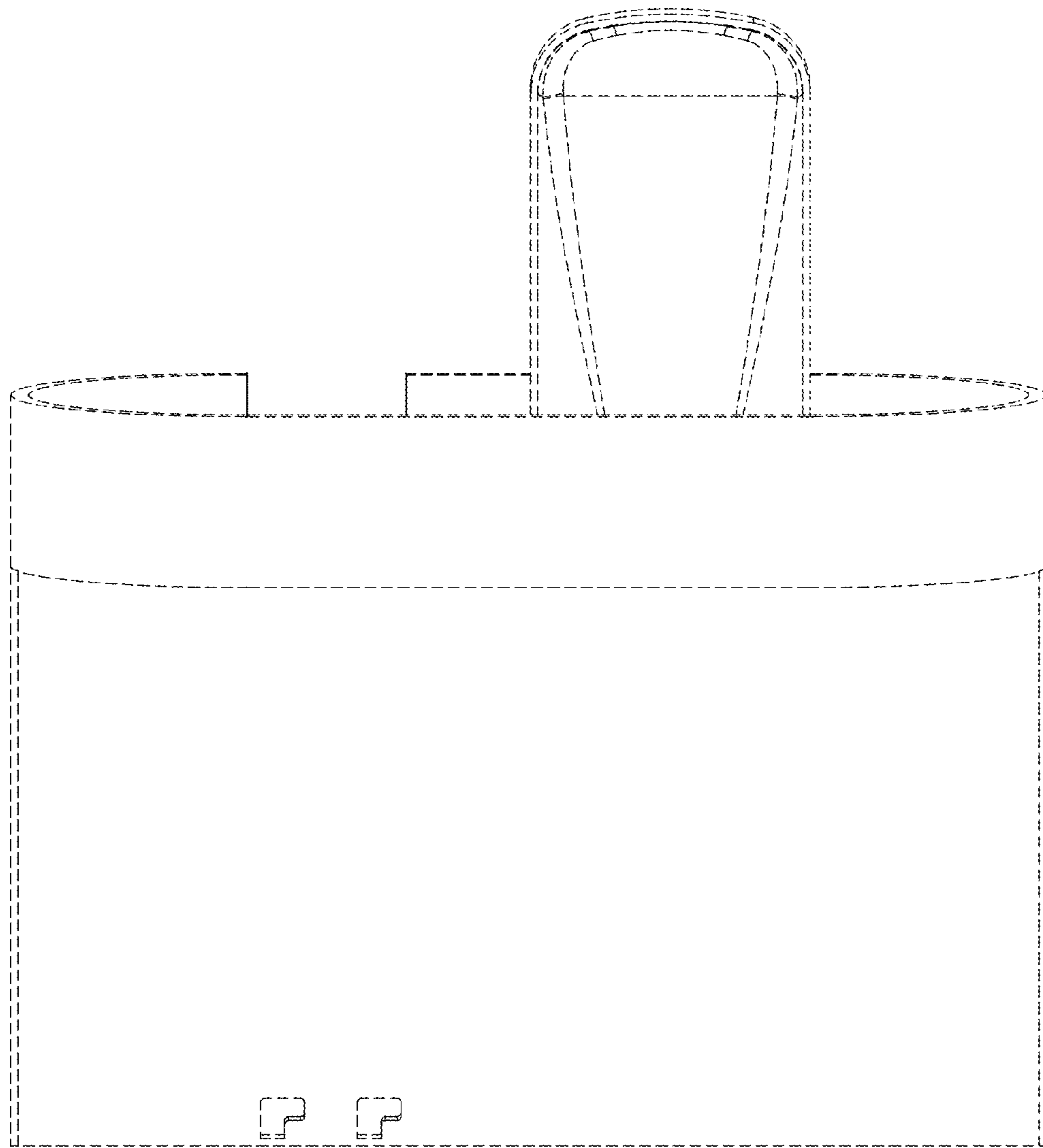


FIG.3

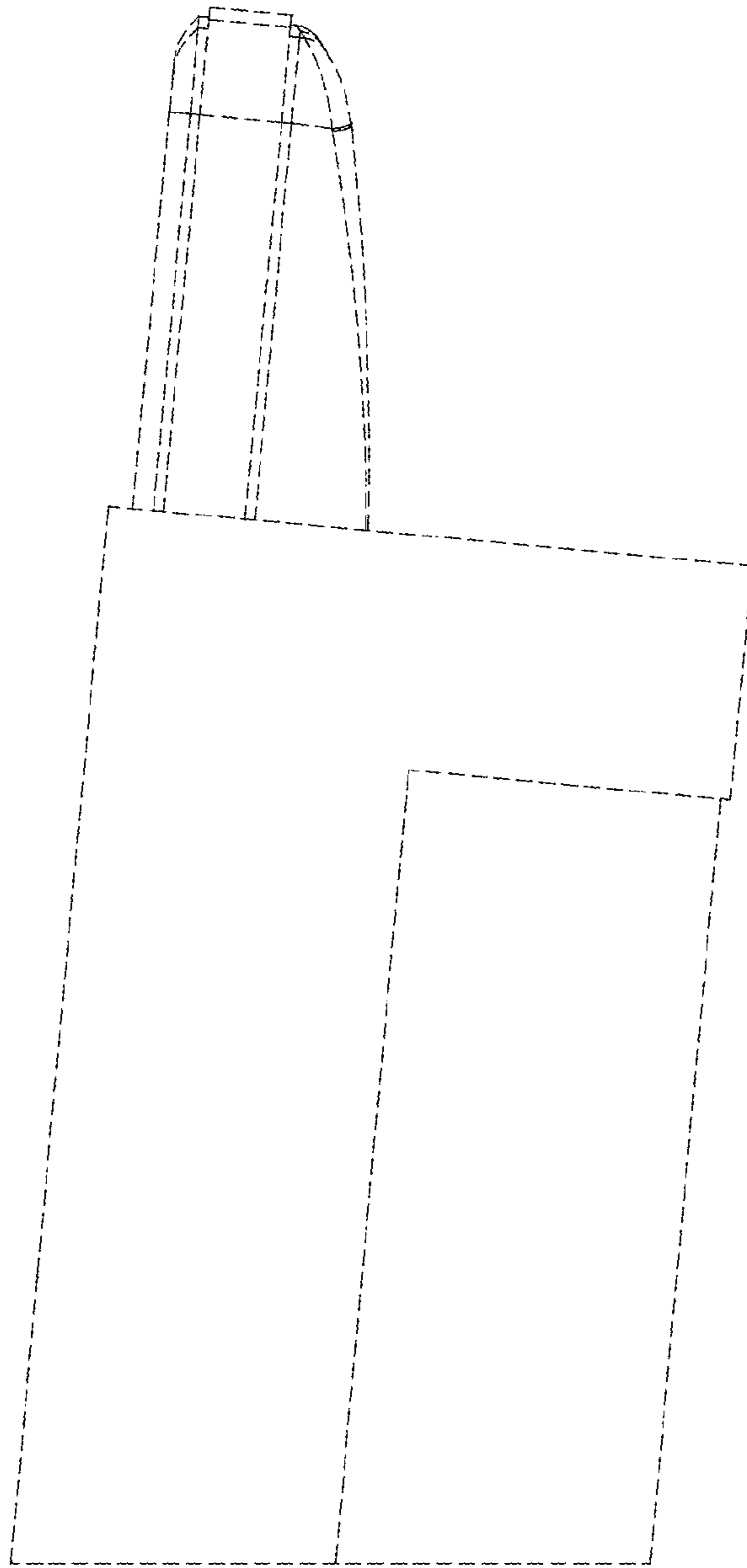


FIG.4

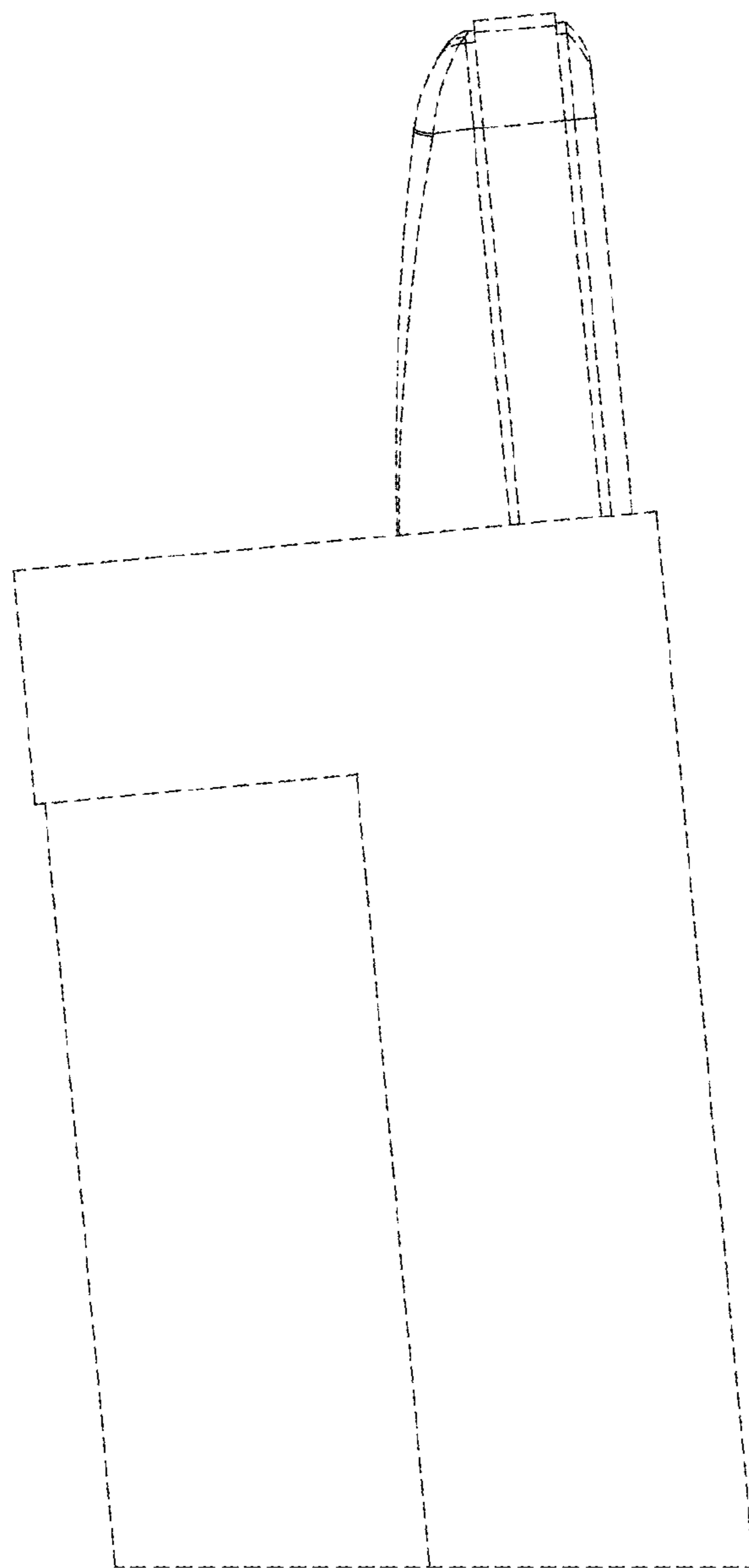


FIG. 5

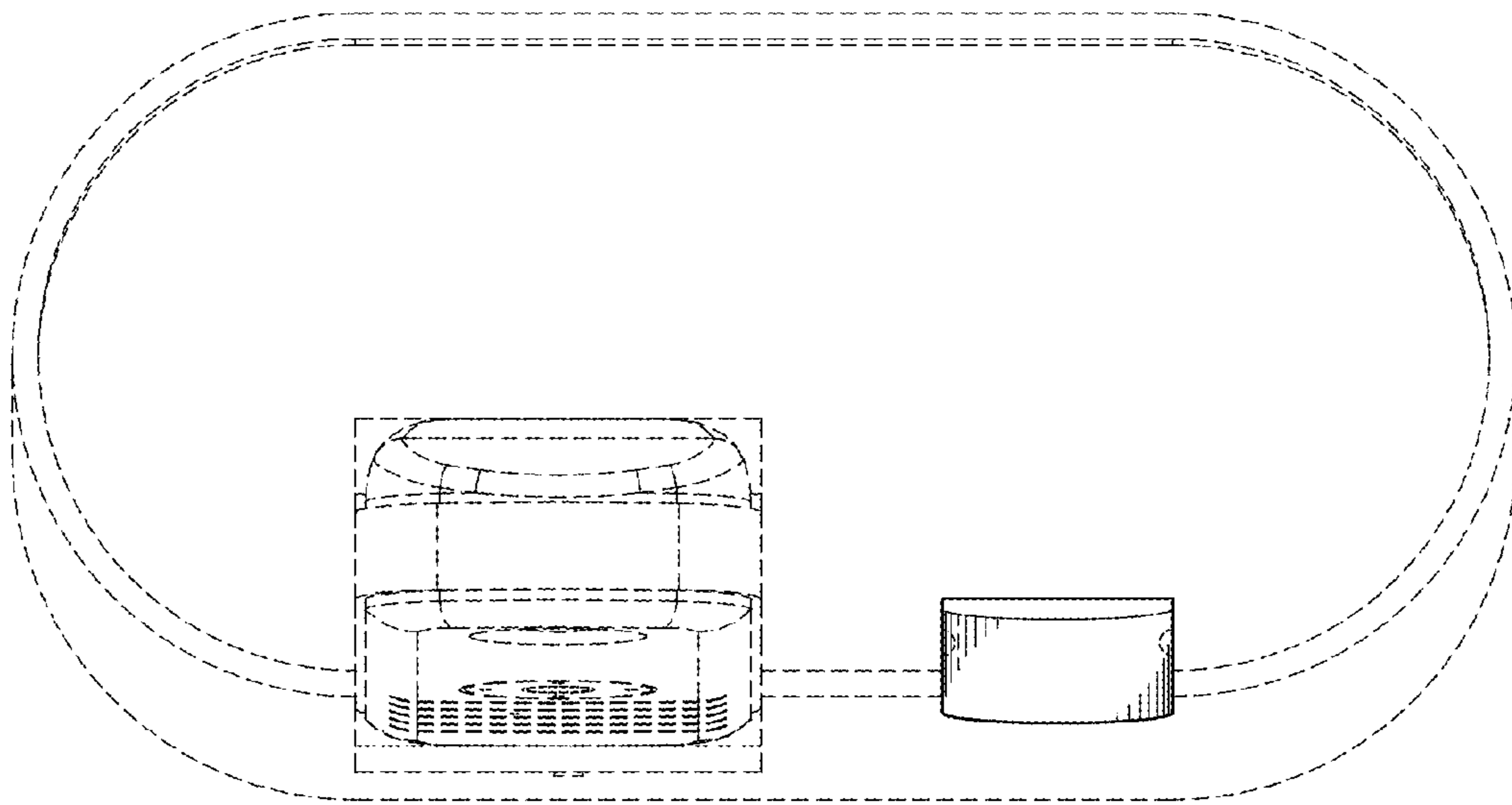


FIG. 6



FIG. 7

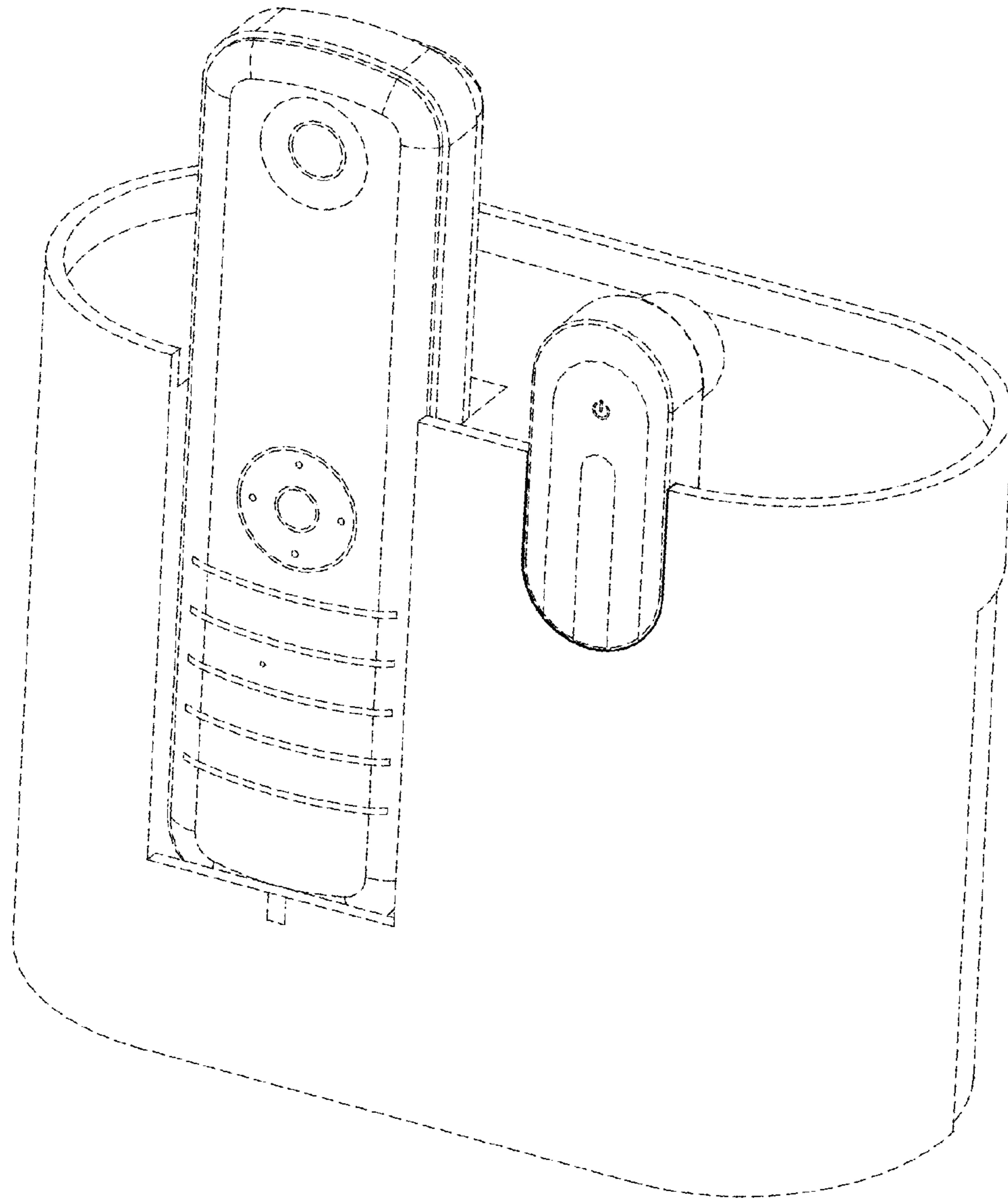


FIG. 8