



US00D713387S

(12) **United States Design Patent**
Lin

(10) **Patent No.:** **US D713,387 S**
(45) **Date of Patent:** **** Sep. 16, 2014**

(54) **EARPHONE JACK FOR TELEPHONE BASE**

(71) Applicant: **Pi-Fen Lin**, Taipei (TW)

(72) Inventor: **Pi-Fen Lin**, Taipei (TW)

(**) Term: **14 Years**

(21) Appl. No.: **29/449,372**

(22) Filed: **Mar. 15, 2013**

(51) **LOC (10) Cl.** **14-01**

(52) **U.S. Cl.**
USPC **D14/224; D14/142**

(58) **Field of Classification Search**
USPC D14/140, 149, 150, 151, 163, 206, 208,
D14/209.1, 240, 249, 251–253; 455/41.2,
455/569.1; 379/419, 420, 420.04, 428
See application file for complete search history.

(56) **References Cited**

U.S. PATENT DOCUMENTS

D434,029	S	*	11/2000	Wang	D14/253
D564,501	S	*	3/2008	Rath	D14/224
D566,697	S	*	4/2008	Nielsen et al.	D14/224
D593,998	S	*	6/2009	Bentley et al.	D14/224
D602,917	S	*	10/2009	Bentley	D14/224
7,979,035	B2	*	7/2011	Griffin et al.	455/90.3
D643,834	S	*	8/2011	Bentley	D14/224
D645,027	S	*	9/2011	Gougherty et al.	D14/224

8,047,365	B1	*	11/2011	Lin et al.	206/320
8,229,514	B2	*	7/2012	Lin	455/569.1
2011/0294423	A1	*	12/2011	Lin	455/41.2

* cited by examiner

Primary Examiner — Thomas Johannes

Assistant Examiner — Holly E Thurman

(74) *Attorney, Agent, or Firm* — Li & Cai Intellectual Property (USA) Office

(57) **CLAIM**

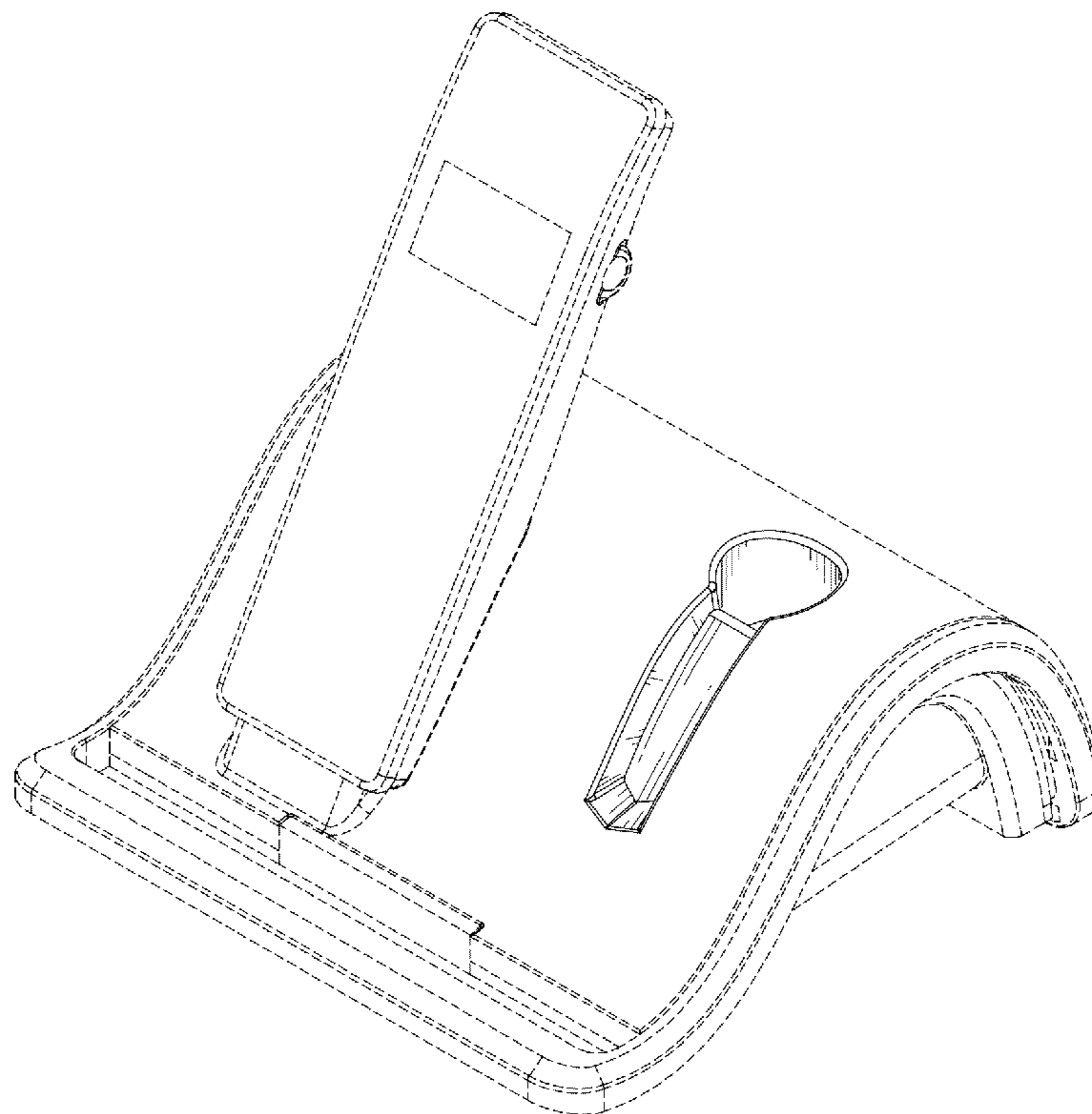
The ornamental design for an “earphone jack for telephone base,” as shown and described.

DESCRIPTION

FIG. 1 is a perspective view of an earphone jack for telephone base showing my new design;
FIG. 2 is a front view thereof;
FIG. 3 is a rear view thereof;
FIG. 4 is a left side view thereof;
FIG. 5 is a right side view thereof;
FIG. 6 is a top view thereof;
FIG. 7 is a bottom view thereof; and,
FIG. 8 is a perspective view showing the practical usage thereof.

The broken lines depict unclaimed portions of the earphone jack for telephone base only, which form no part of the claimed design.

1 Claim, 8 Drawing Sheets



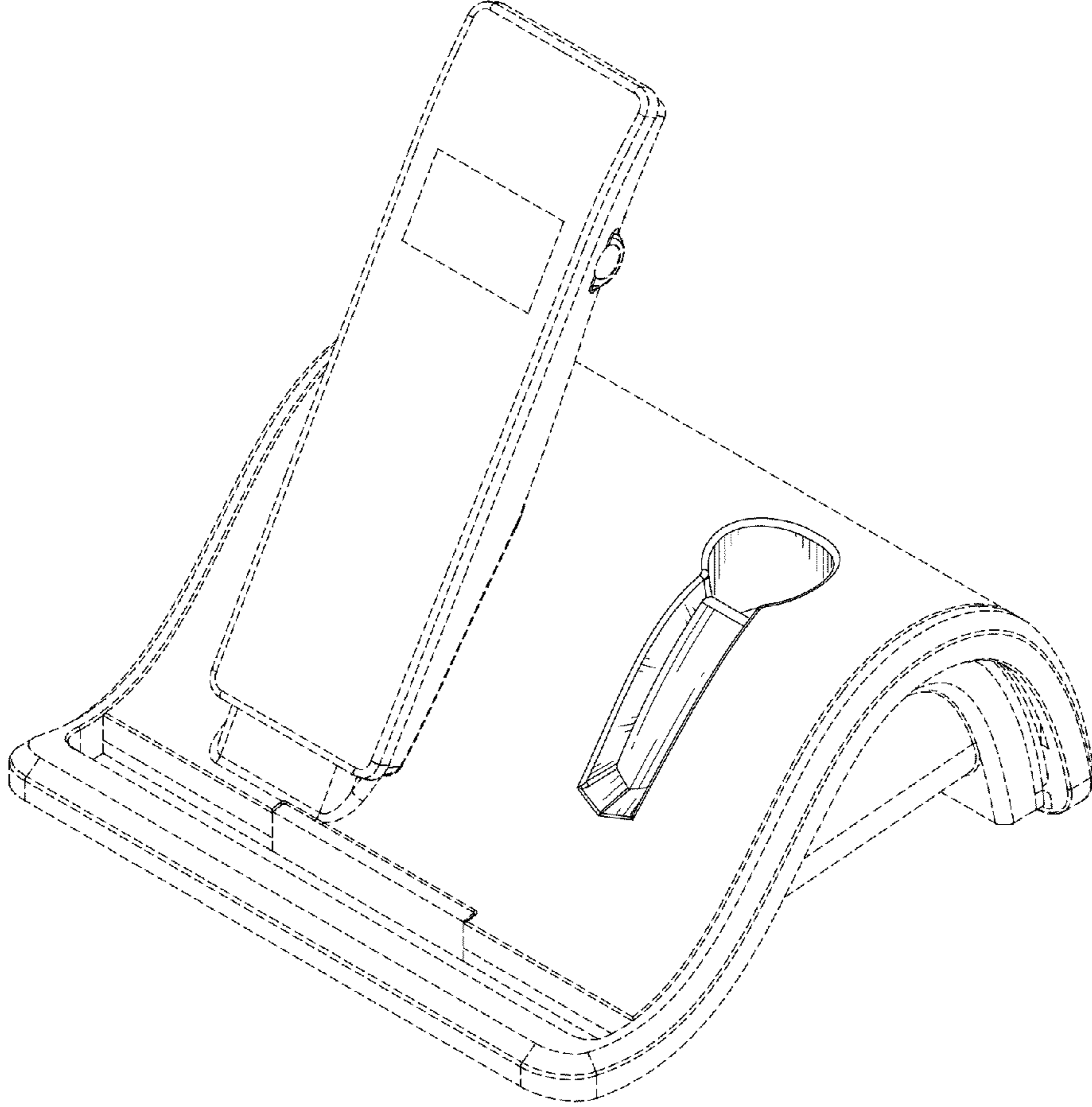


FIG.1

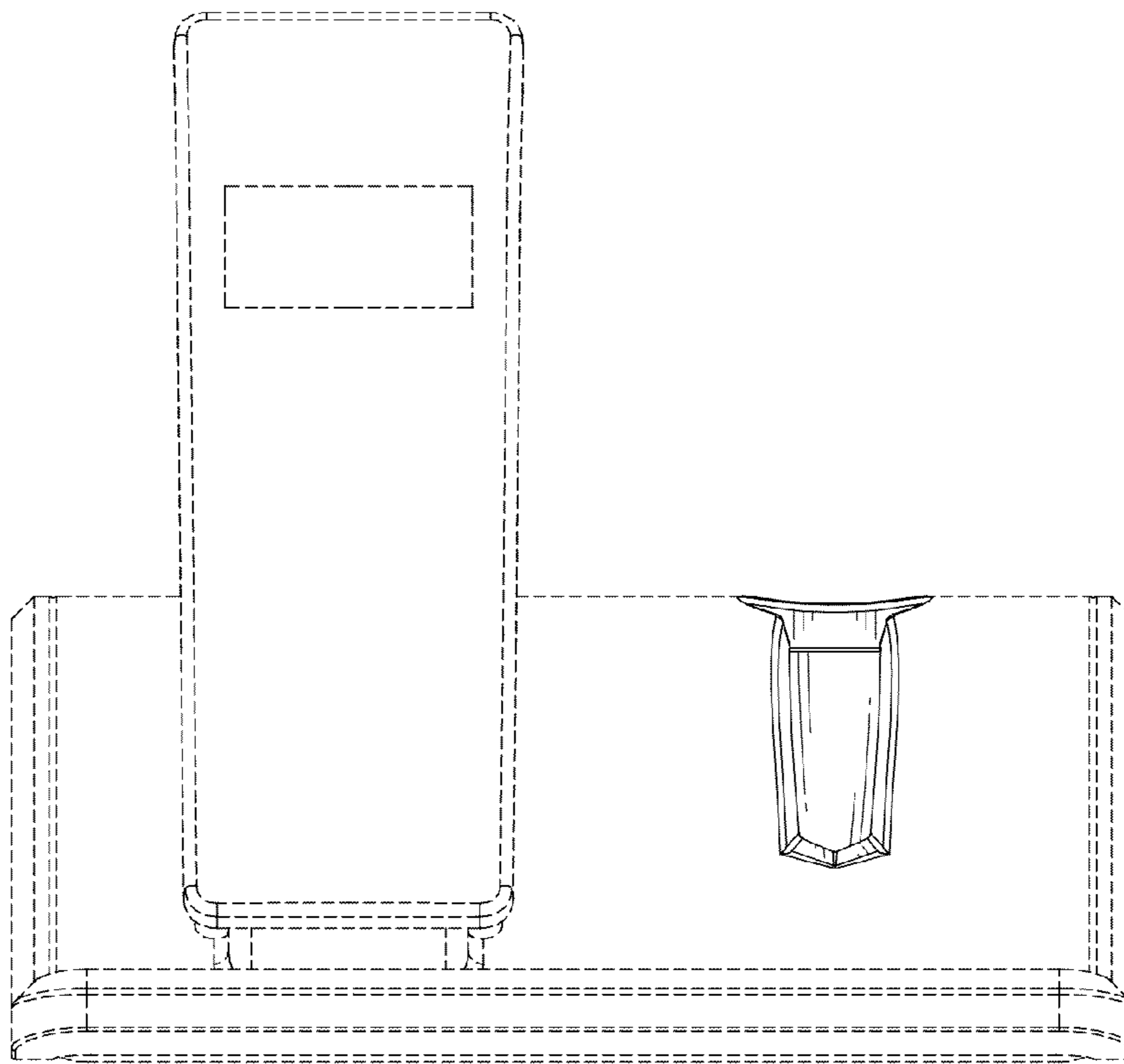


FIG.2

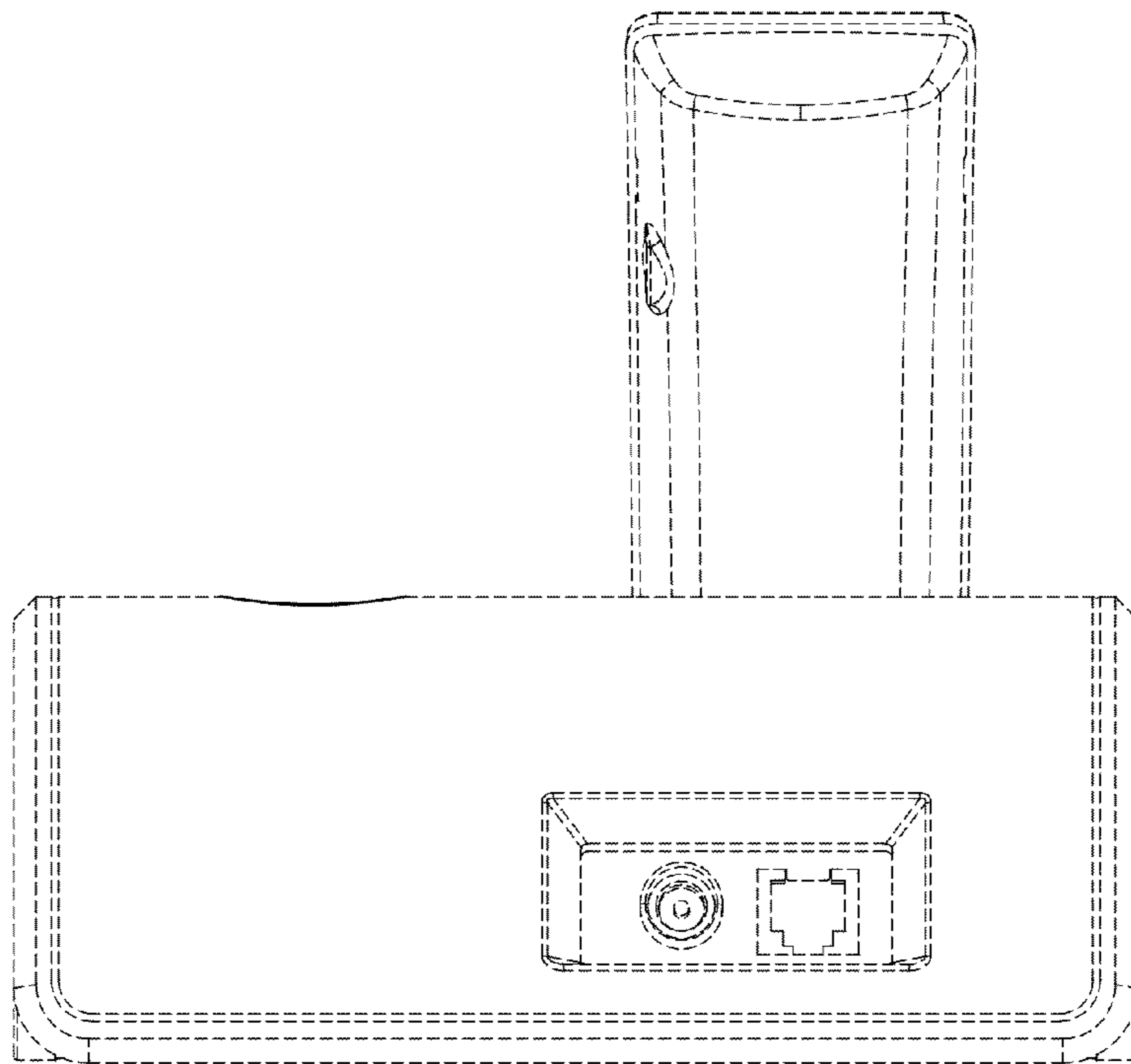


FIG.3

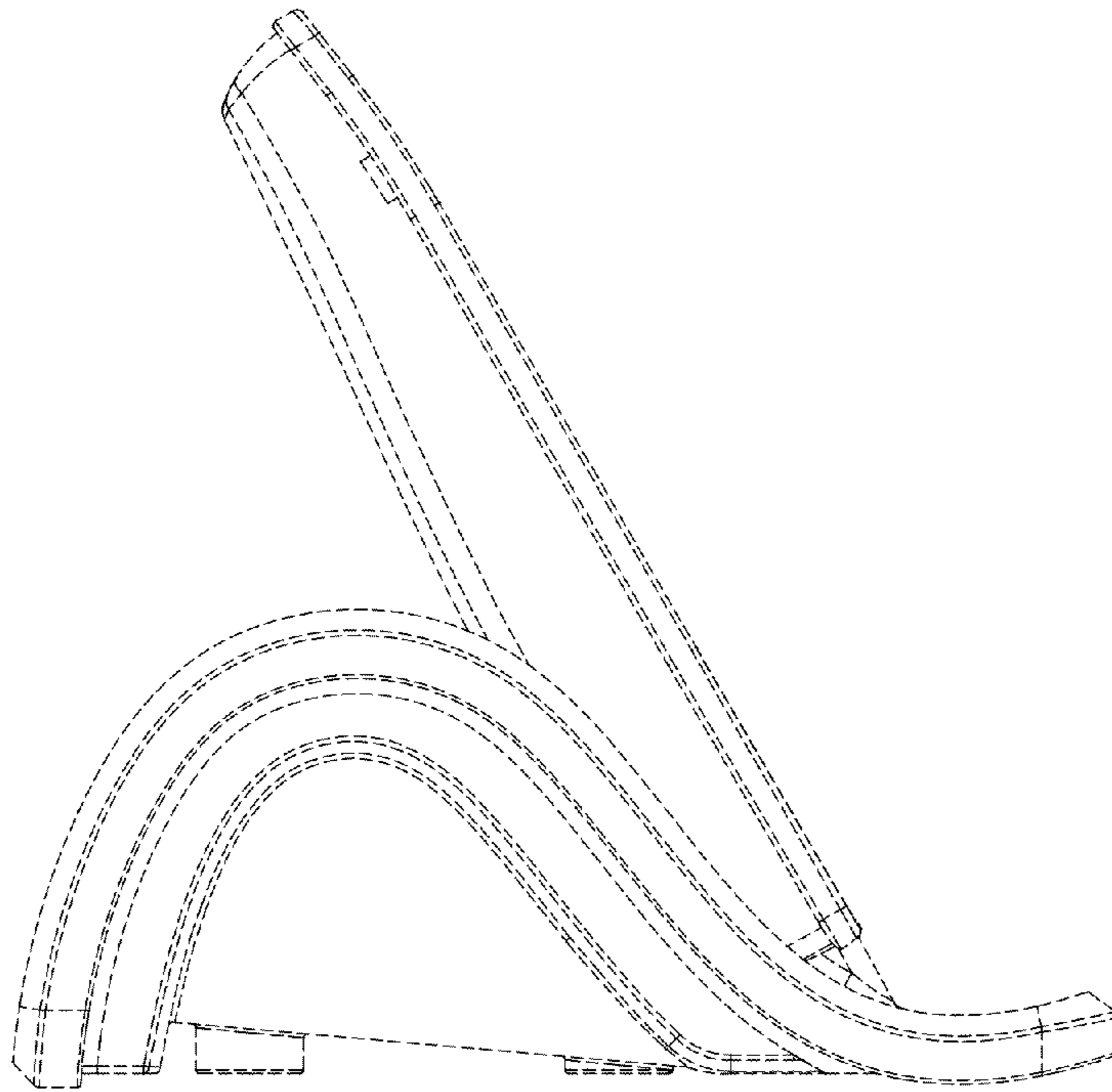


FIG.4

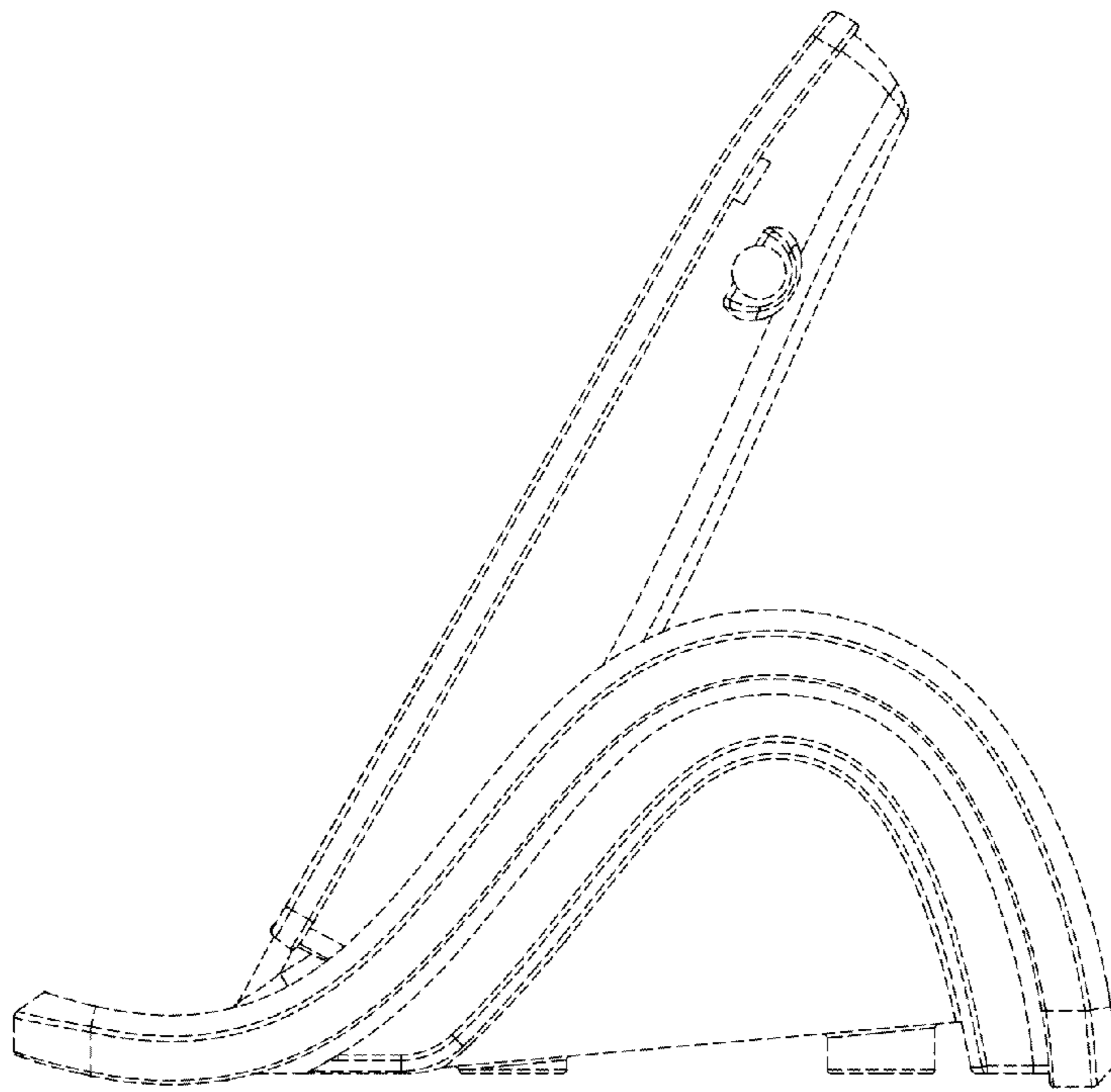


FIG.5

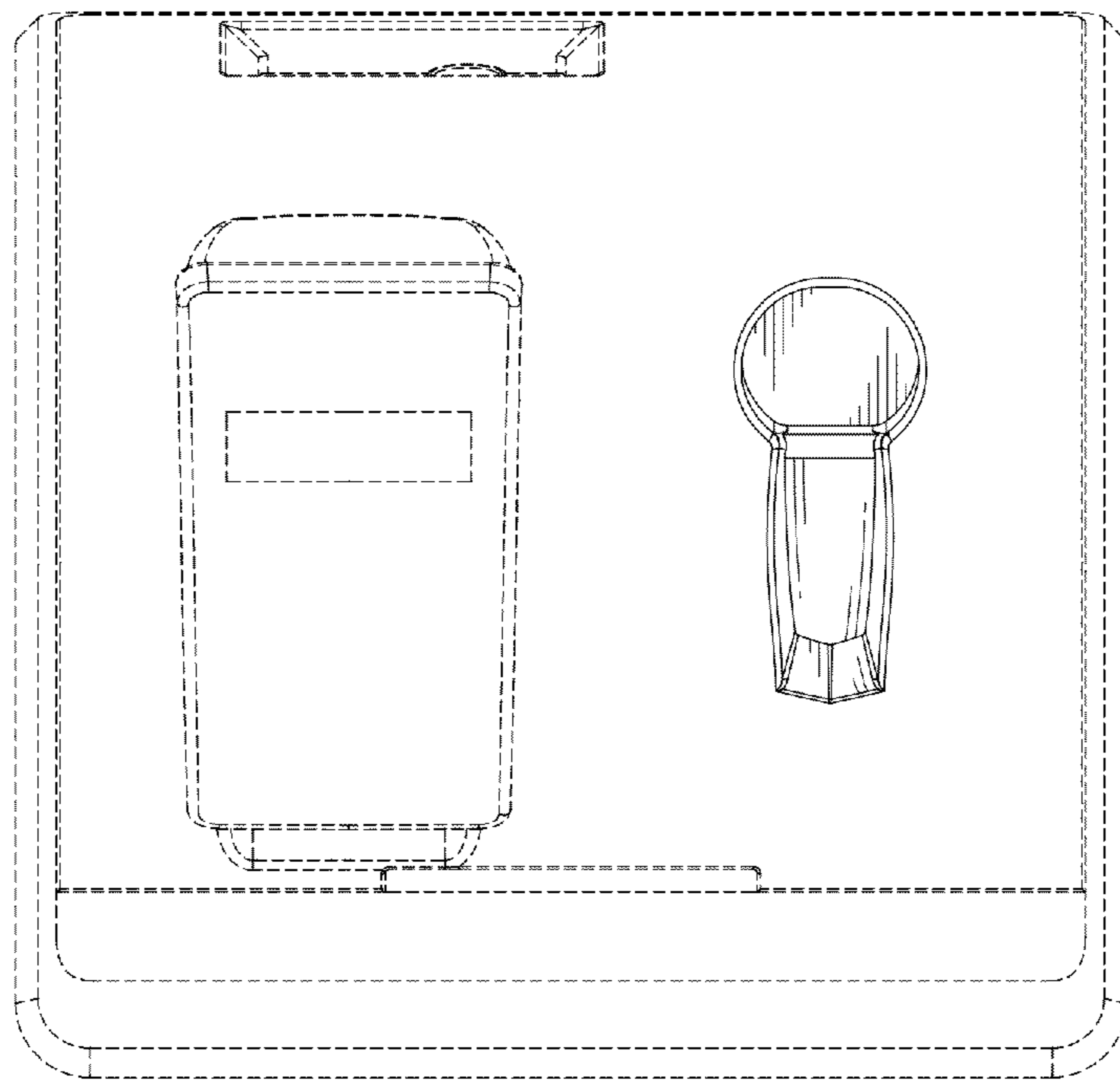


FIG.6

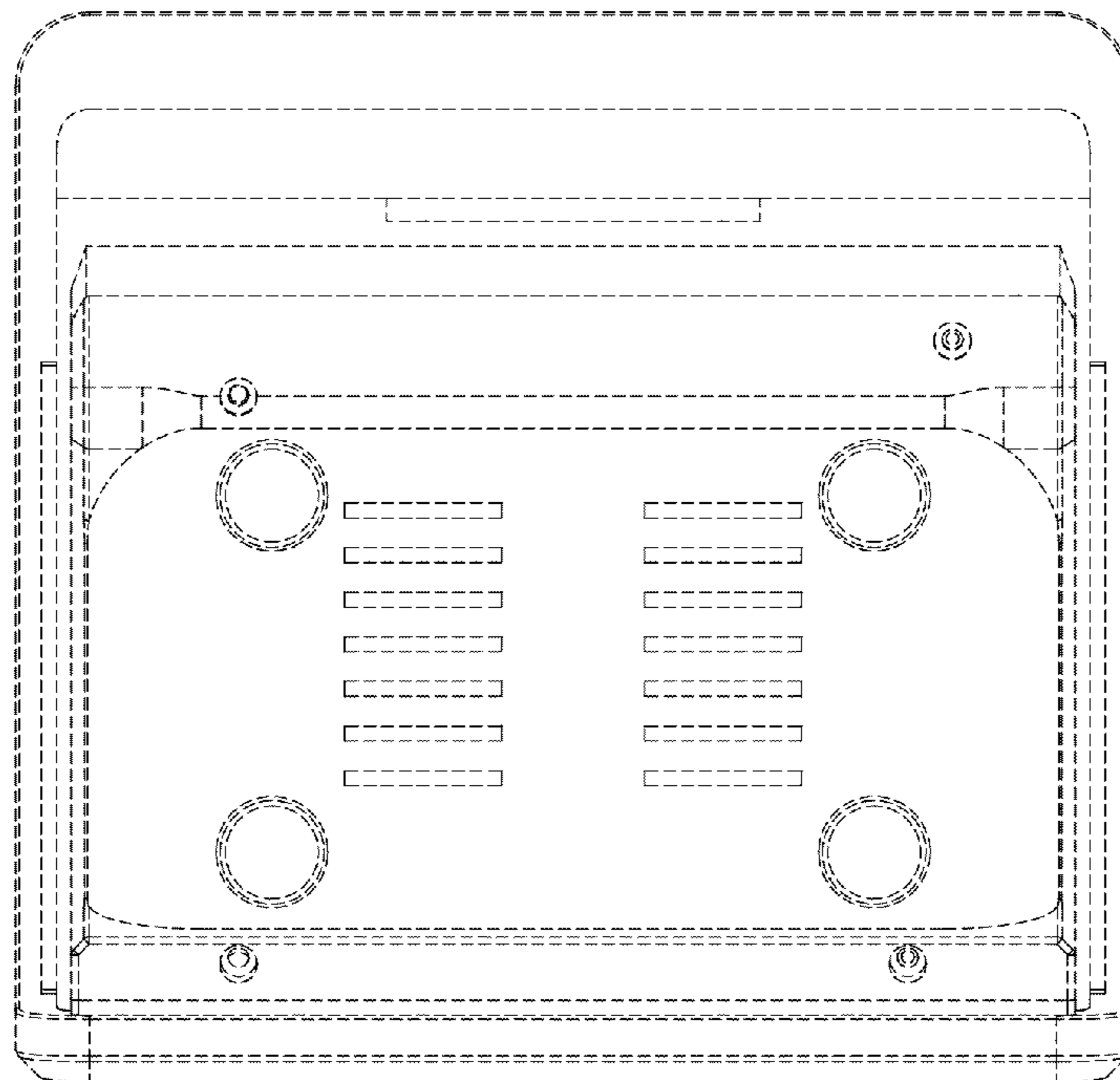


FIG. 7

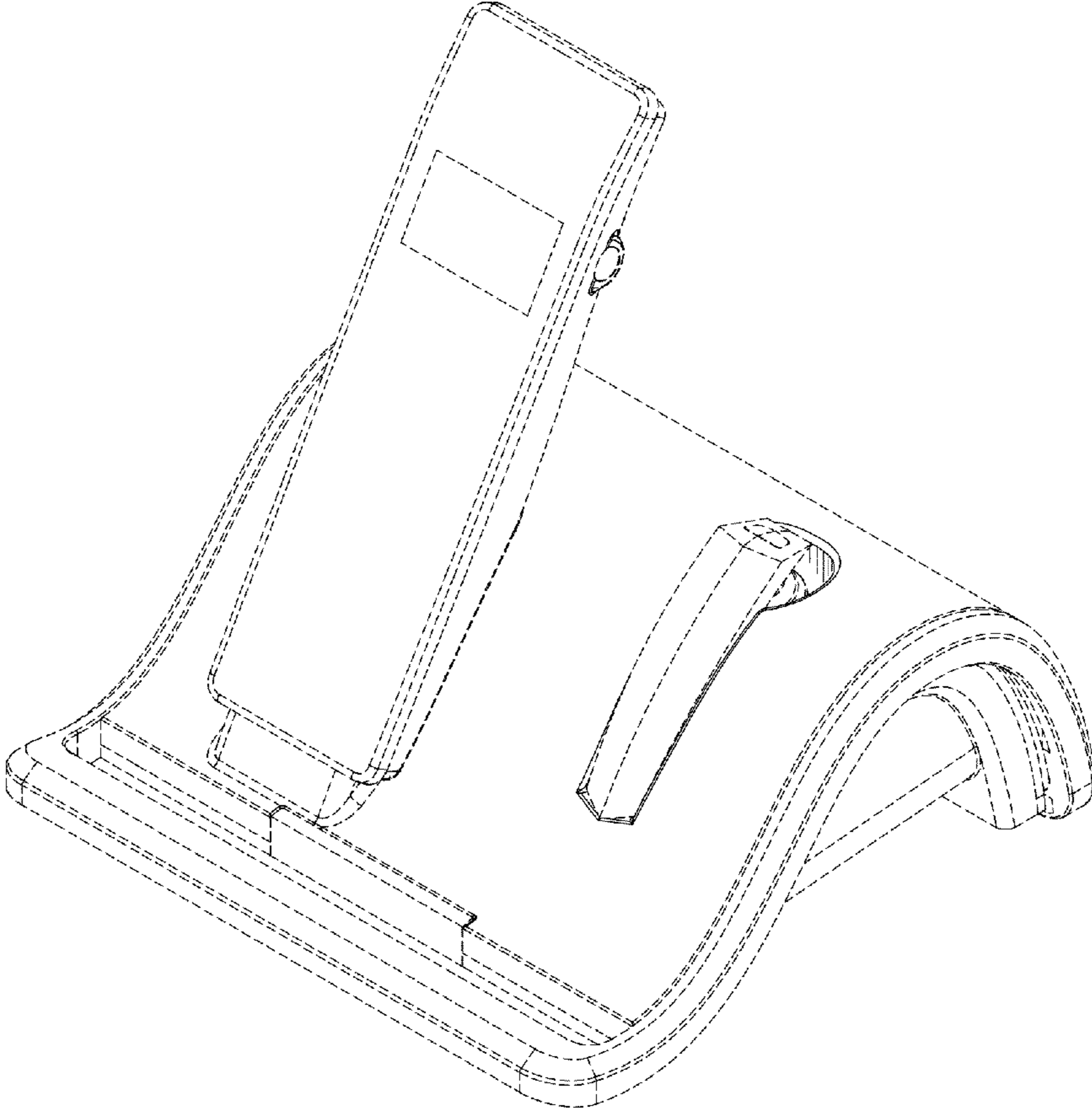


FIG.8