



US00D713384S

(12) **United States Design Patent**  
**McNamara**

(10) **Patent No.:** **US D713,384 S**

(45) **Date of Patent:** **\*\* Sep. 16, 2014**

(54) **OVER-EAR HEADPHONE**

(71) Applicant: **Greg McNamara**, San Francisco, CA  
(US)

(72) Inventor: **Greg McNamara**, San Francisco, CA  
(US)

(\*\*) Term: **14 Years**

(21) Appl. No.: **29/450,322**

(22) Filed: **Mar. 16, 2013**

(51) **LOC (10) Cl.** ..... **14-01**

(52) **U.S. Cl.**

USPC ..... **D14/223**; D14/205

(58) **Field of Classification Search**

CPC ..... H04R 1/008

USPC ..... D14/205, 223; D29/112; 2/209;

181/129, 130, 135; 379/430.431;

381/380, 381, 370, 374, 371; 455/90.3,

455/575.1

See application file for complete search history.

(56) **References Cited**

**U.S. PATENT DOCUMENTS**

1,988,880	A *	1/1935	Strouse	.....	128/866
3,051,961	A *	9/1962	Clark	.....	2/209
3,073,410	A *	1/1963	Gongoll et al.	.....	2/209
3,440,663	A *	4/1969	Beguin	.....	2/209
3,505,684	A *	4/1970	Hutchinson et al.	.....	2/209
D218,103	S *	7/1970	Kliwer	.....	D14/205
3,562,816	A *	2/1971	Hutchinson	.....	2/209
3,922,725	A *	12/1975	Csiki et al.	.....	2/209
D244,213	S *	5/1977	Besasio	.....	D14/223

D244,301	S *	5/1977	Besasio	.....	D14/223
D299,129	S *	12/1988	Wiegel	.....	D14/223
5,384,857	A *	1/1995	Nordin et al.	.....	381/378
5,996,123	A *	12/1999	Leight et al.	.....	2/209
D442,340	S *	5/2001	Leight et al.	.....	D29/112
D468,063	S *	12/2002	Nilsson	.....	D29/112
2005/0105755	A1 *	5/2005	Yueh	.....	381/371

\* cited by examiner

*Primary Examiner* — Paula Greene

(74) *Attorney, Agent, or Firm* — Alleman Hall McCoy Russell & Tuttle LLP

(57) **CLAIM**

The ornamental design for an over-ear headphone, as shown and described.

**DESCRIPTION**

FIG. 1 is a top perspective view of an ornamental design for an over-ear headphone, according to the invention.

FIG. 2 is a back perspective view of the over-ear headphone of FIG. 1.

FIG. 3 is a bottom perspective view of the over-ear headphone of FIG. 1.

FIG. 4 is a front view of the over-ear headphone of FIG. 1.

FIG. 5 is a back view of the over-ear headphone of FIG. 1.

FIG. 6 is a left side view of the over-ear headphone of FIG. 1.

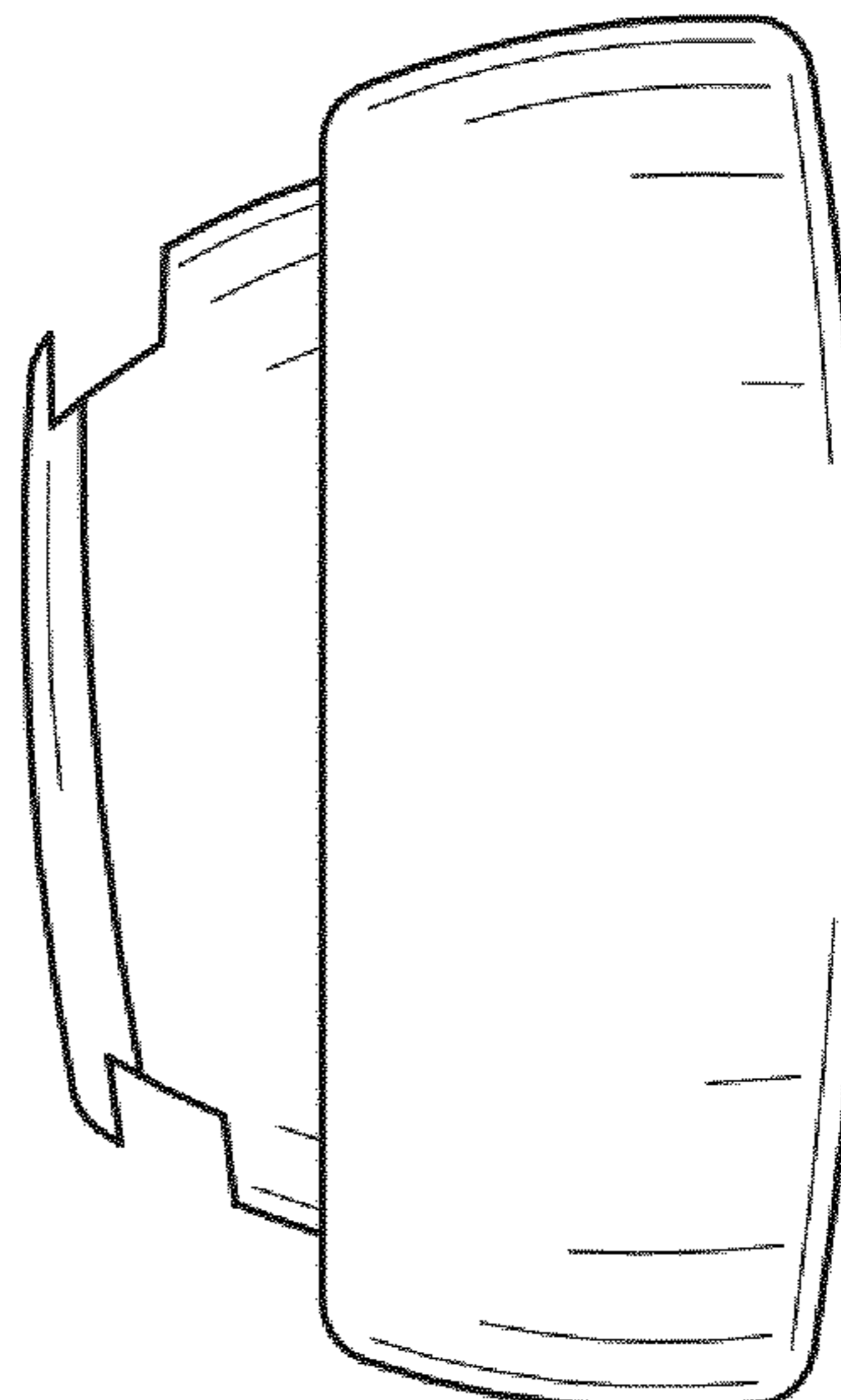
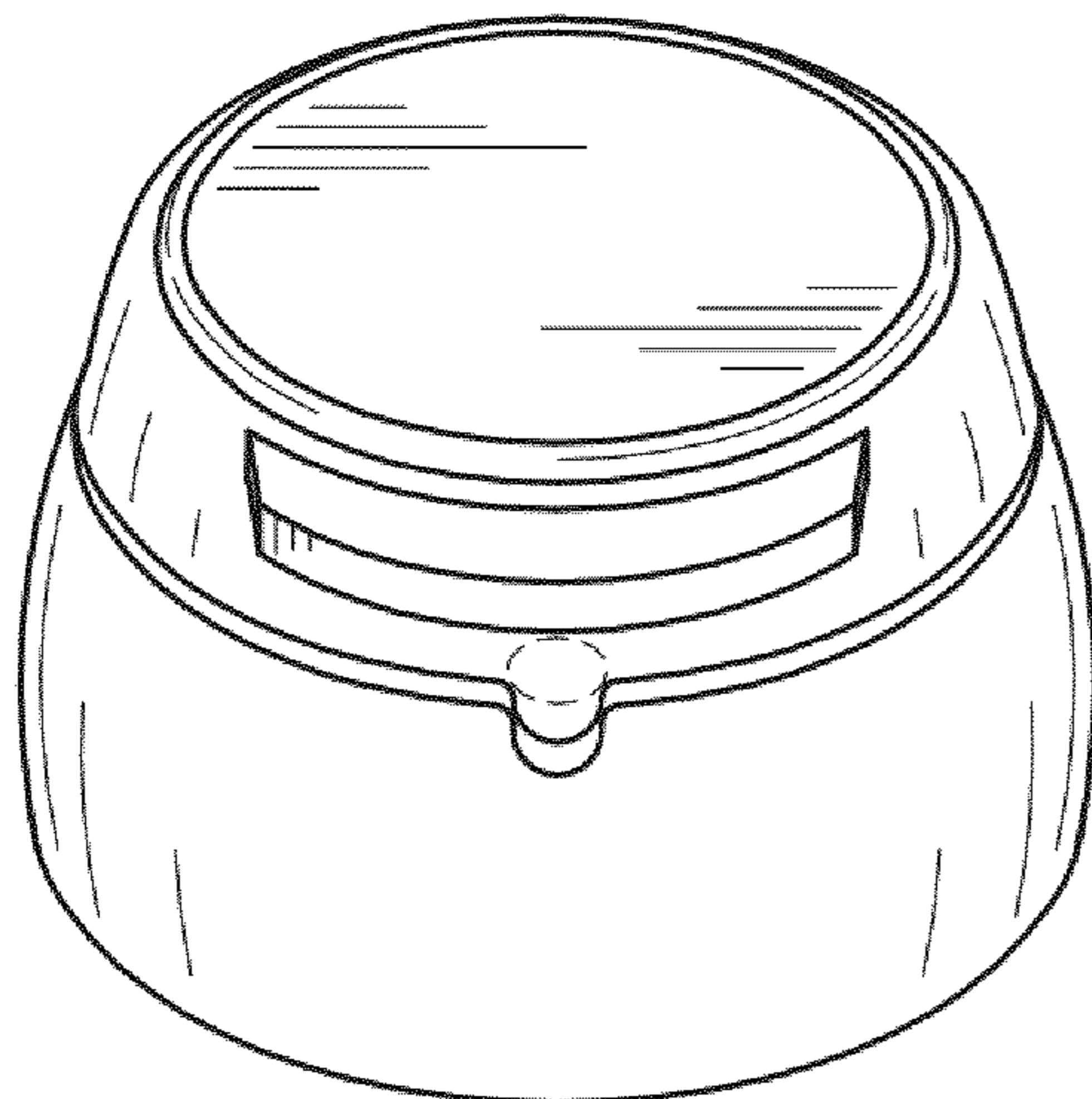
FIG. 7 is a bottom view of the over-ear headphone of FIG. 1.

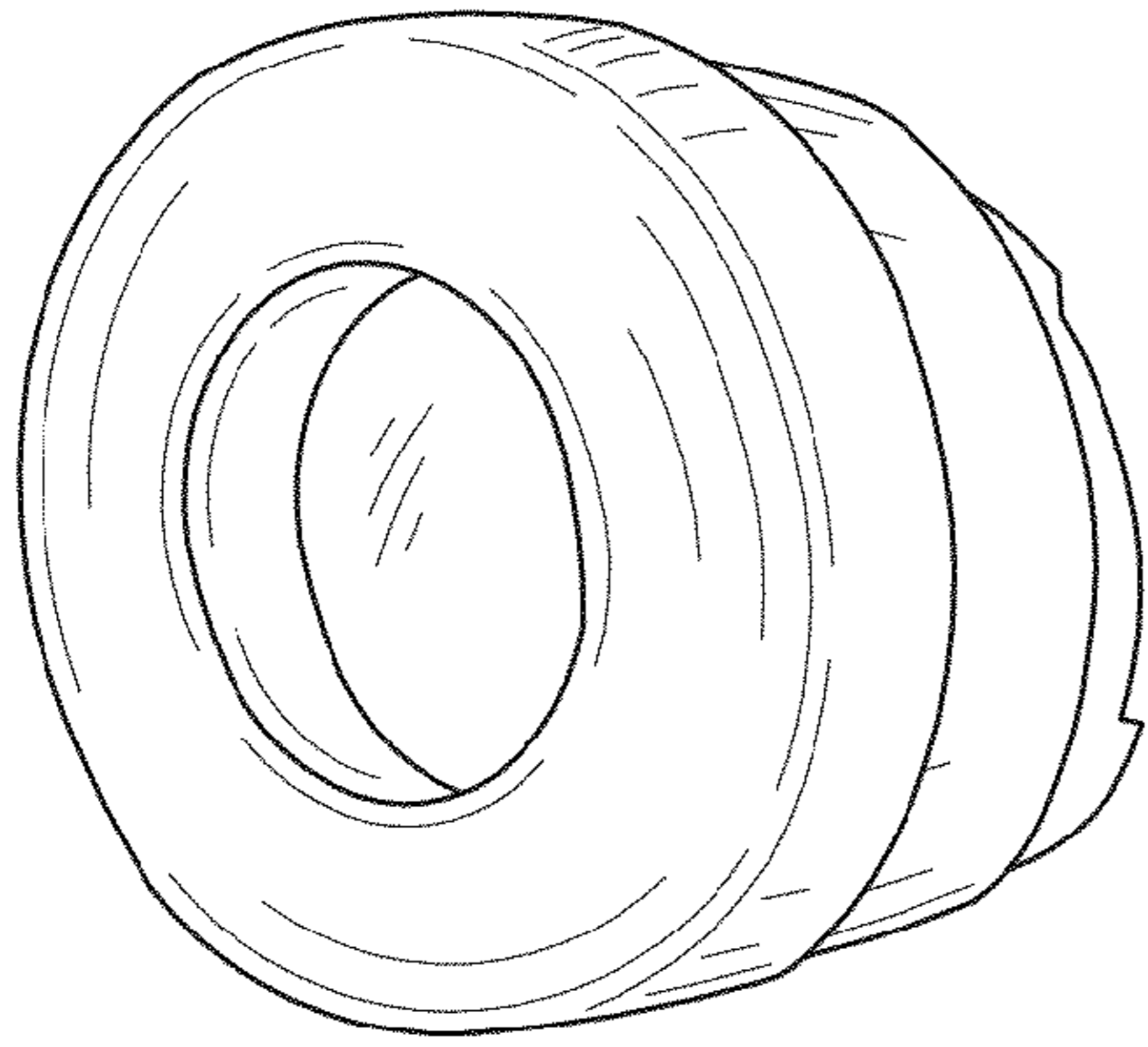
FIG. 8 is a right side view of the over-ear headphone of FIG. 1; and,

FIG. 9 is a top view of the over-ear headphone of FIG. 1.

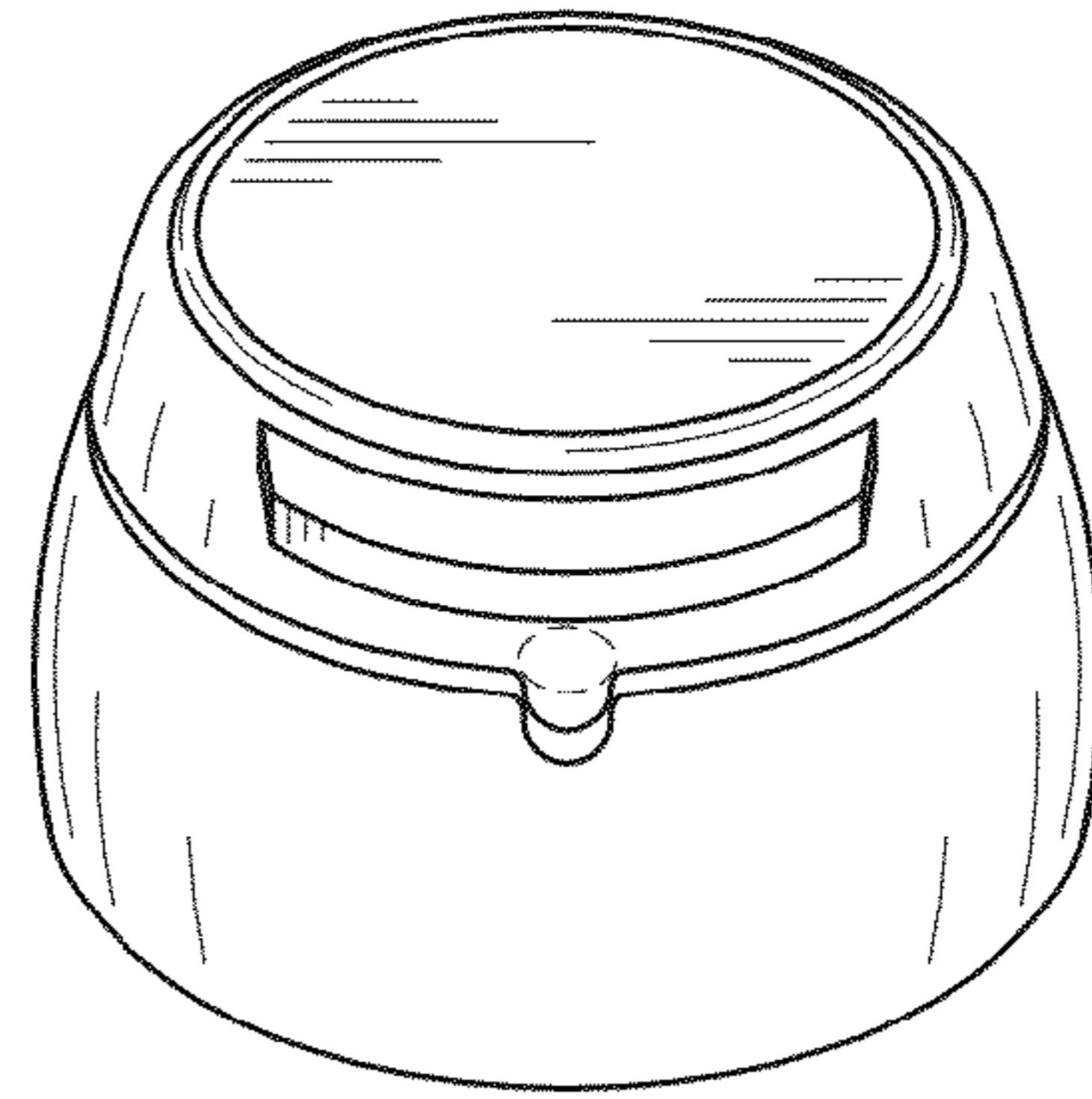
The shading and contour lines in FIGS. 1-9 are for illustrative purposes only and form no part of the claimed design. Furthermore, the broken lines form no part of the claimed design.

**1 Claim, 2 Drawing Sheets**

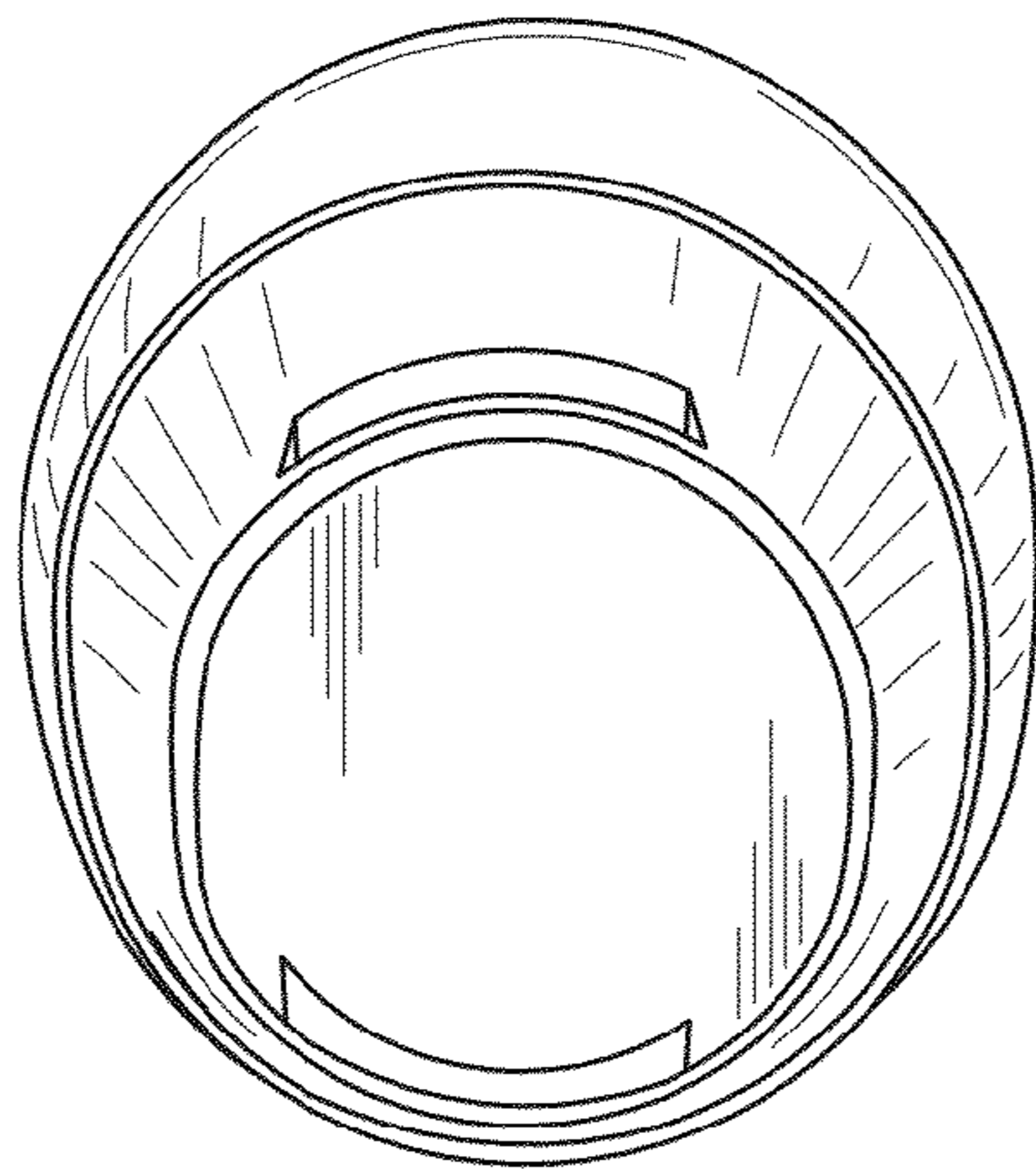




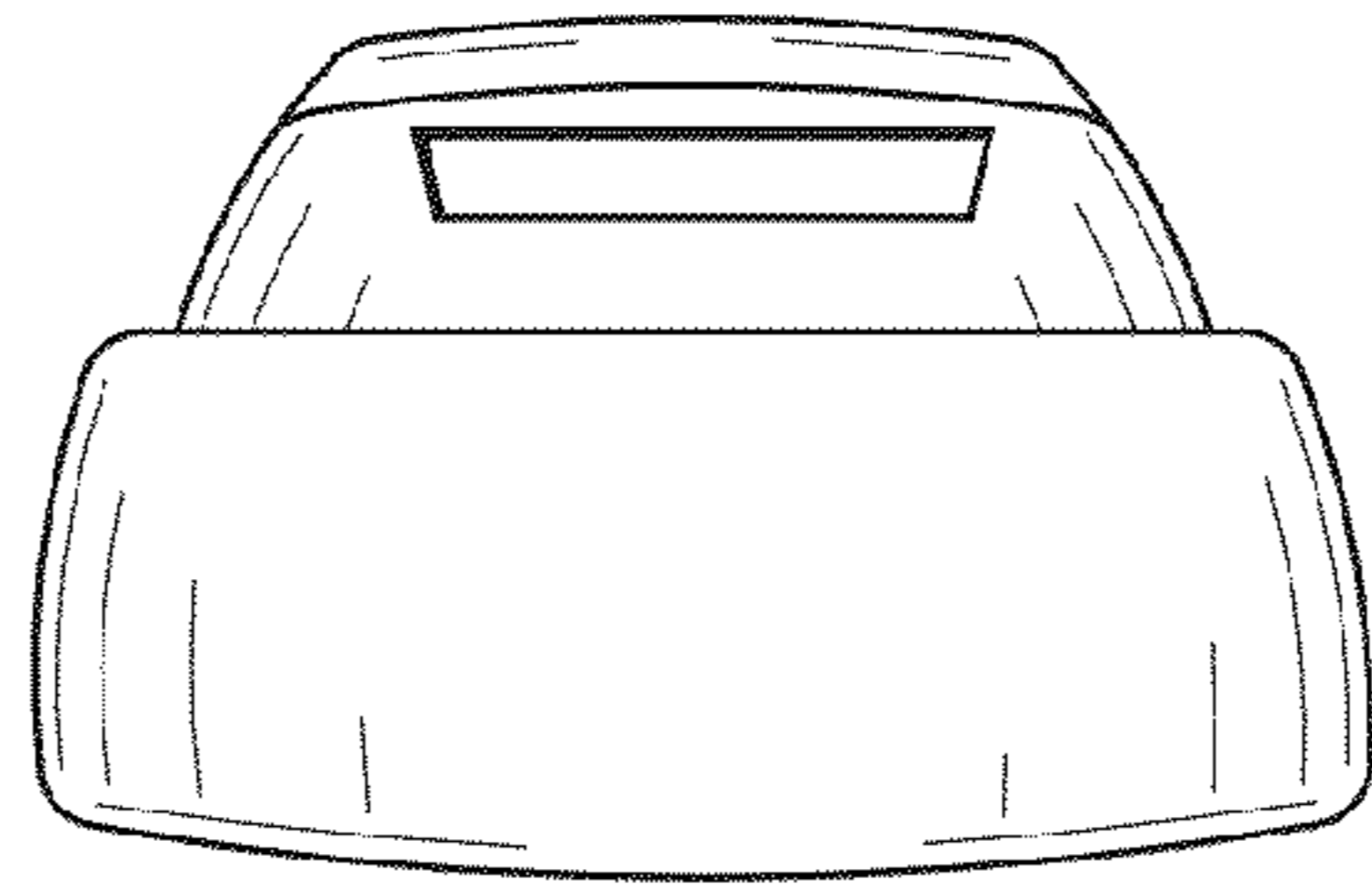
*FIG. 1*



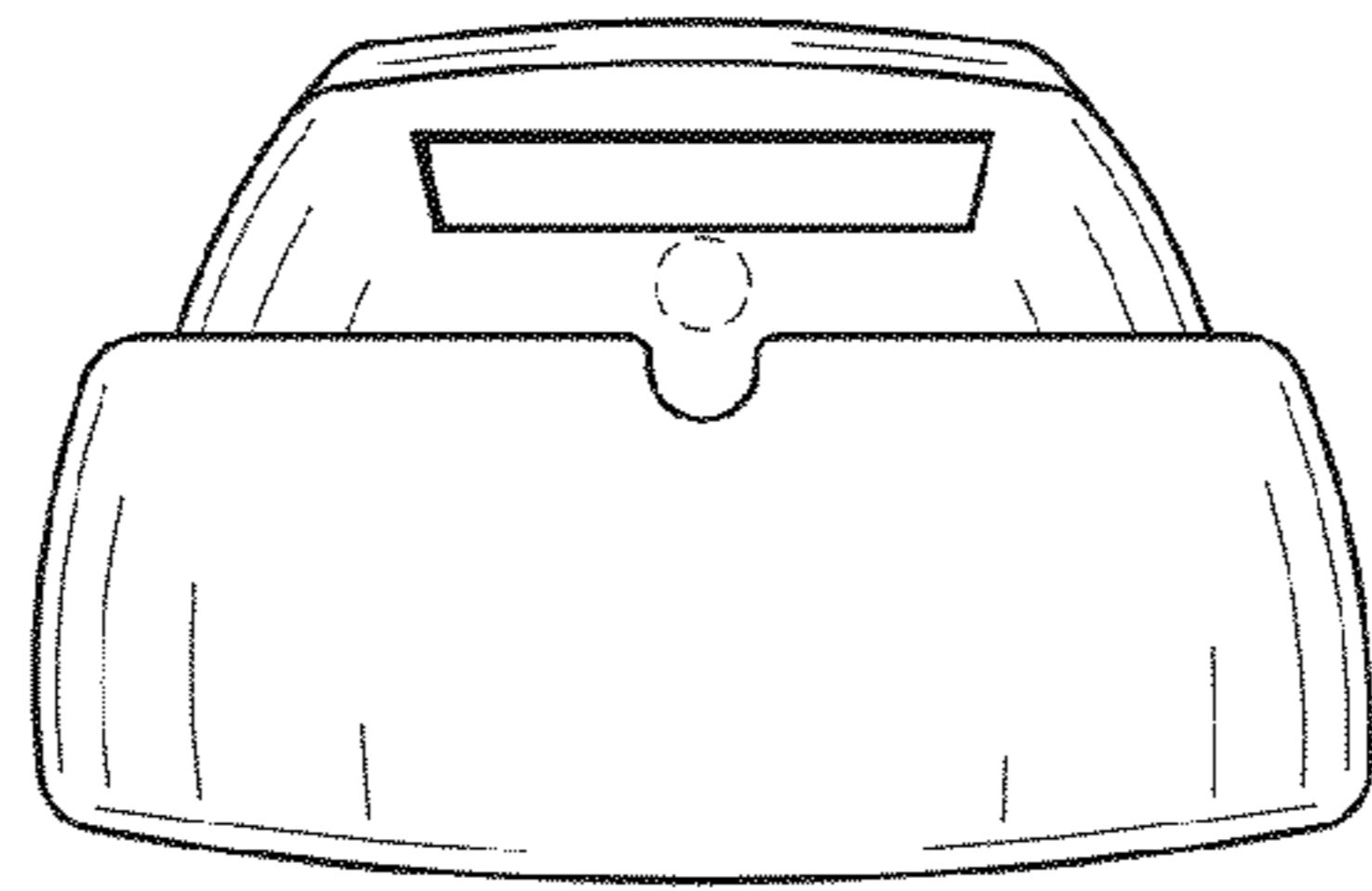
*FIG. 2*



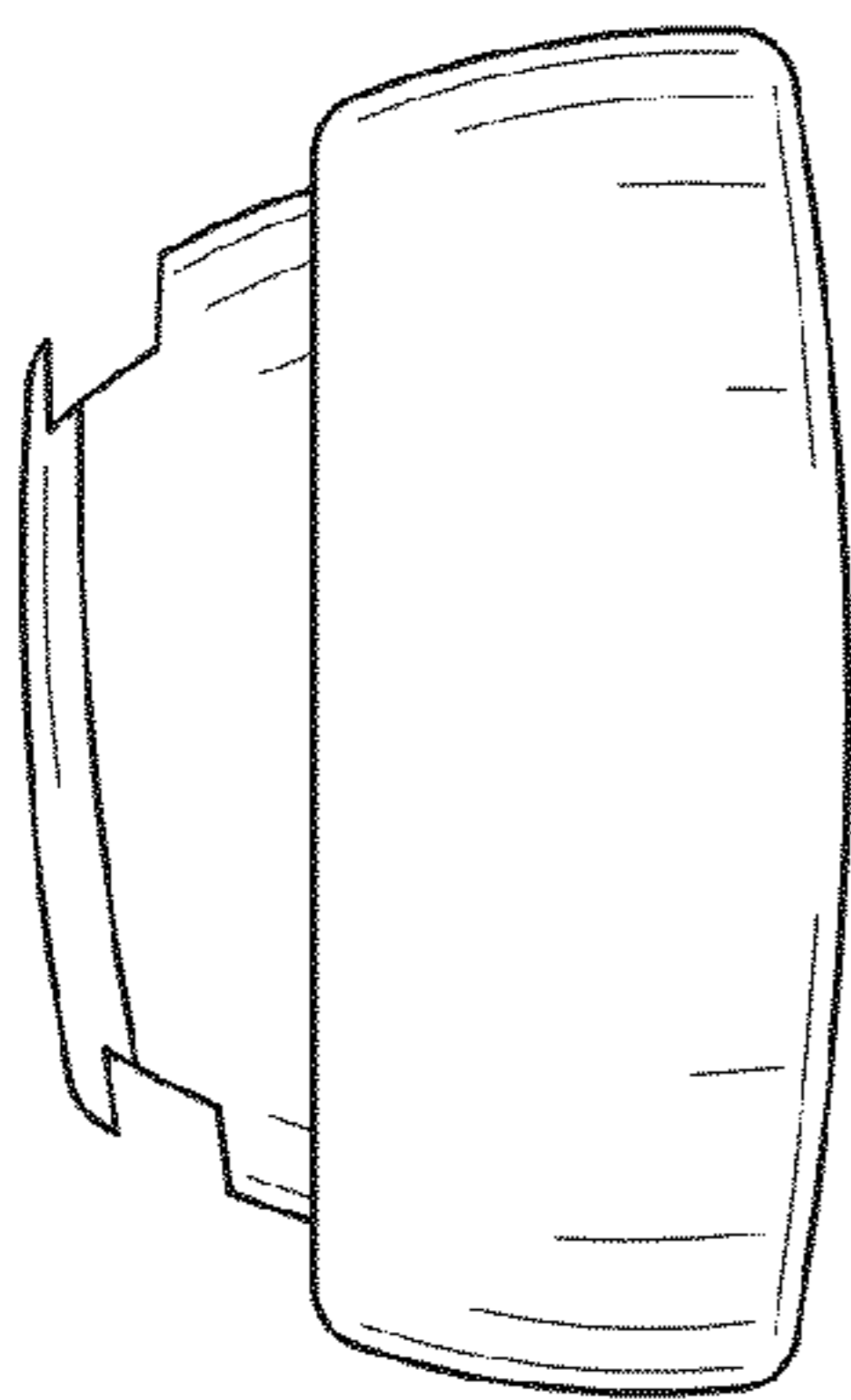
*FIG. 3*



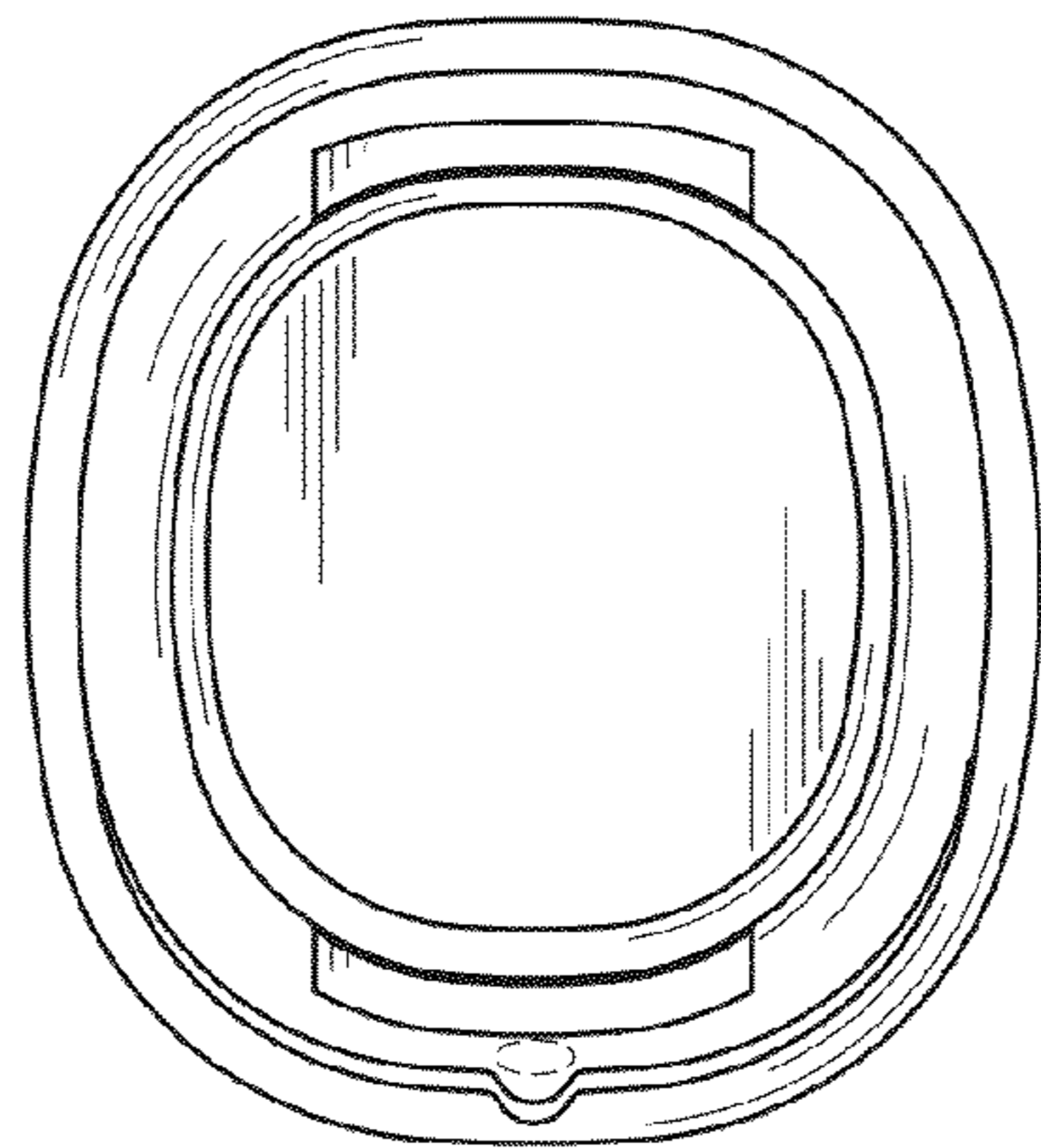
**FIG. 4**



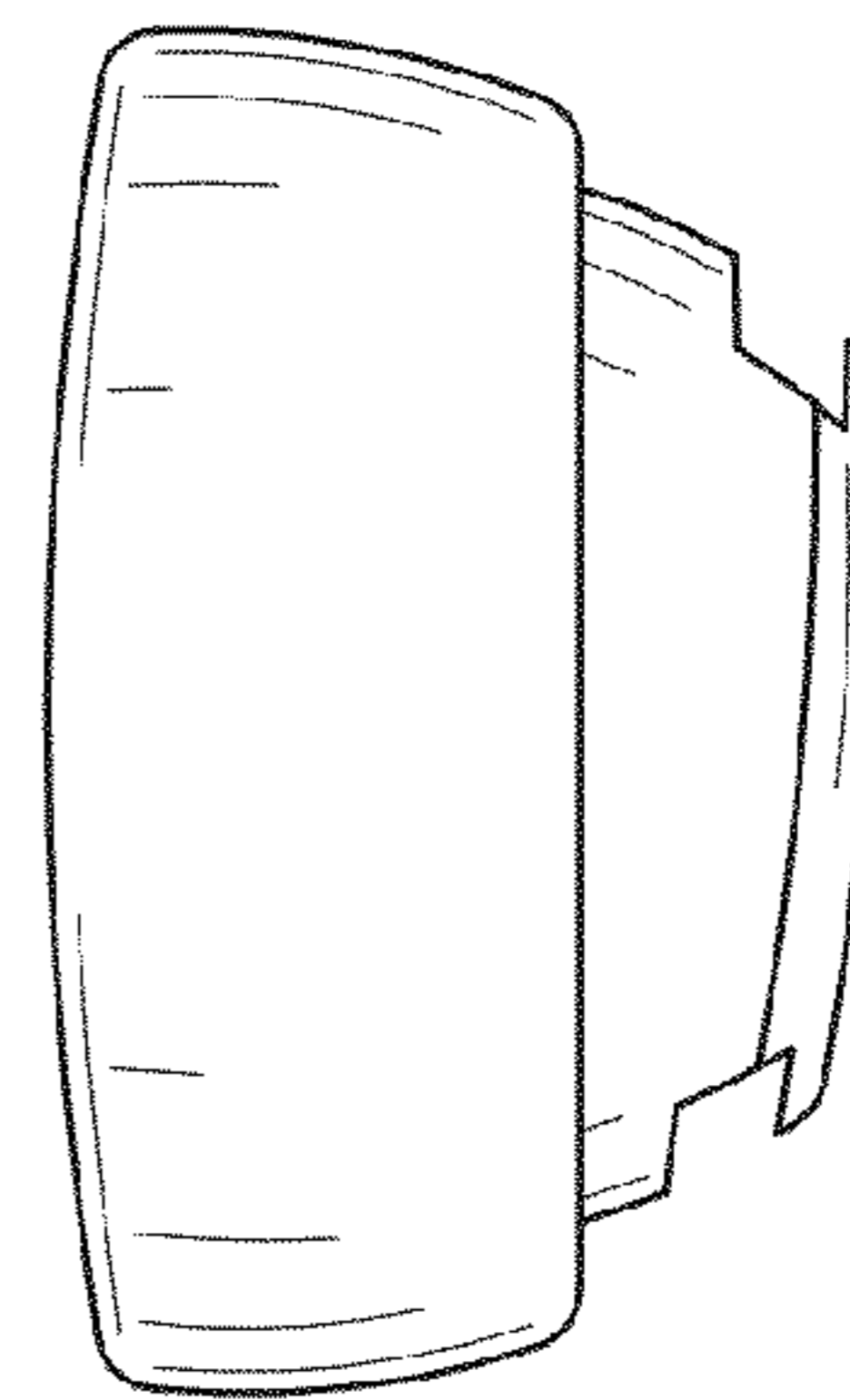
**FIG. 5**



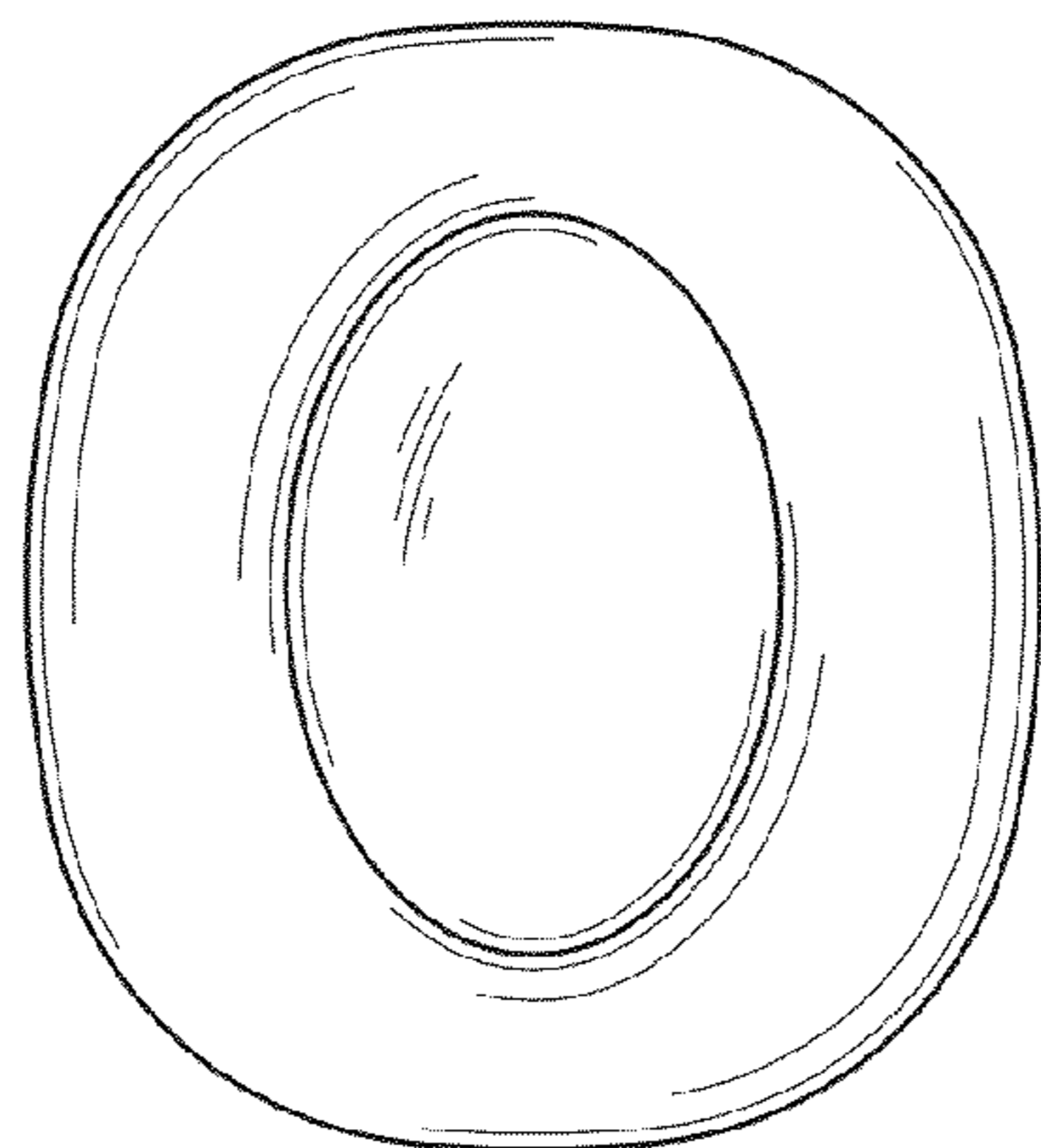
**FIG. 6**



**FIG. 7**



**FIG. 8**



**FIG. 9**