



US00D713382S

(12) **United States Design Patent**
Riggs et al.

(10) **Patent No.:** **US D713,382 S**

(45) **Date of Patent:** **** Sep. 16, 2014**

(54) **PORTABLE AUDIO SPEAKER SYSTEM**

(56) **References Cited**

(71) Applicants: **Jason R. Riggs**, Las Vegas, NV (US);
Carl A. Jonsson, Portland, OR (US);
Patrick R. Triato, Portland, OR (US)

U.S. PATENT DOCUMENTS

D479,832	S	*	9/2003	Homewood et al.	D14/168
D481,027	S	*	10/2003	Homewood et al.	D14/215
D590,827	S	*	4/2009	Song	D14/356
D645,024	S	*	9/2011	Behar et al.	D14/214
D664,121	S	*	7/2012	Larson	D14/215
D678,864	S	*	3/2013	Behar et al.	D14/214
D692,861	S	*	11/2013	Paterson	D14/214

(72) Inventors: **Jason R. Riggs**, Las Vegas, NV (US);
Carl A. Jonsson, Portland, OR (US);
Patrick R. Triato, Portland, OR (US)

(**) Term: **14 Years**

* cited by examiner

(21) Appl. No.: **29/441,329**

Primary Examiner — Keli L Hill

(22) Filed: **Jan. 3, 2013**

(74) *Attorney, Agent, or Firm* — Mersenne Law LLP

(51) **LOC (10) Cl.** **14-03**

(52) **U.S. Cl.**

USPC **D14/215**

(58) **Field of Classification Search**

CPC B60R 11/0217; H04M 1/03; H04M 1/035;
H04N 5/642; H04N 21/4852; H04R 1/02;
H04R 1/06; H04R 1/021; H04R 1/025;
H04R 1/026; H04R 1/028; H04R 1/105;
H04R 1/323; H04R 1/403; H04R 1/2803;
H04R 1/2834; H04R 5/02; H04R 7/20;
H04R 9/06; H04R 9/025; H04R 2201/021;
H04R 2400/00; H04R 2400/07; H04R
2499/11; H04R 2499/13; H04R 2499/15;
H04S 3/00; H04S 7/30; G06F 1/1688
USPC D14/167, 168, 170–172, 188, 194–196,
D14/204, 207, 209.1, 210–216, 221, 222,
D14/224; 181/143, 144, 147, 148, 150, 153,
181/157, 198, 199; 381/300–303, 306, 332,
381/333, 336, 345, 361–364, 386–388;
369/6–12

See application file for complete search history.

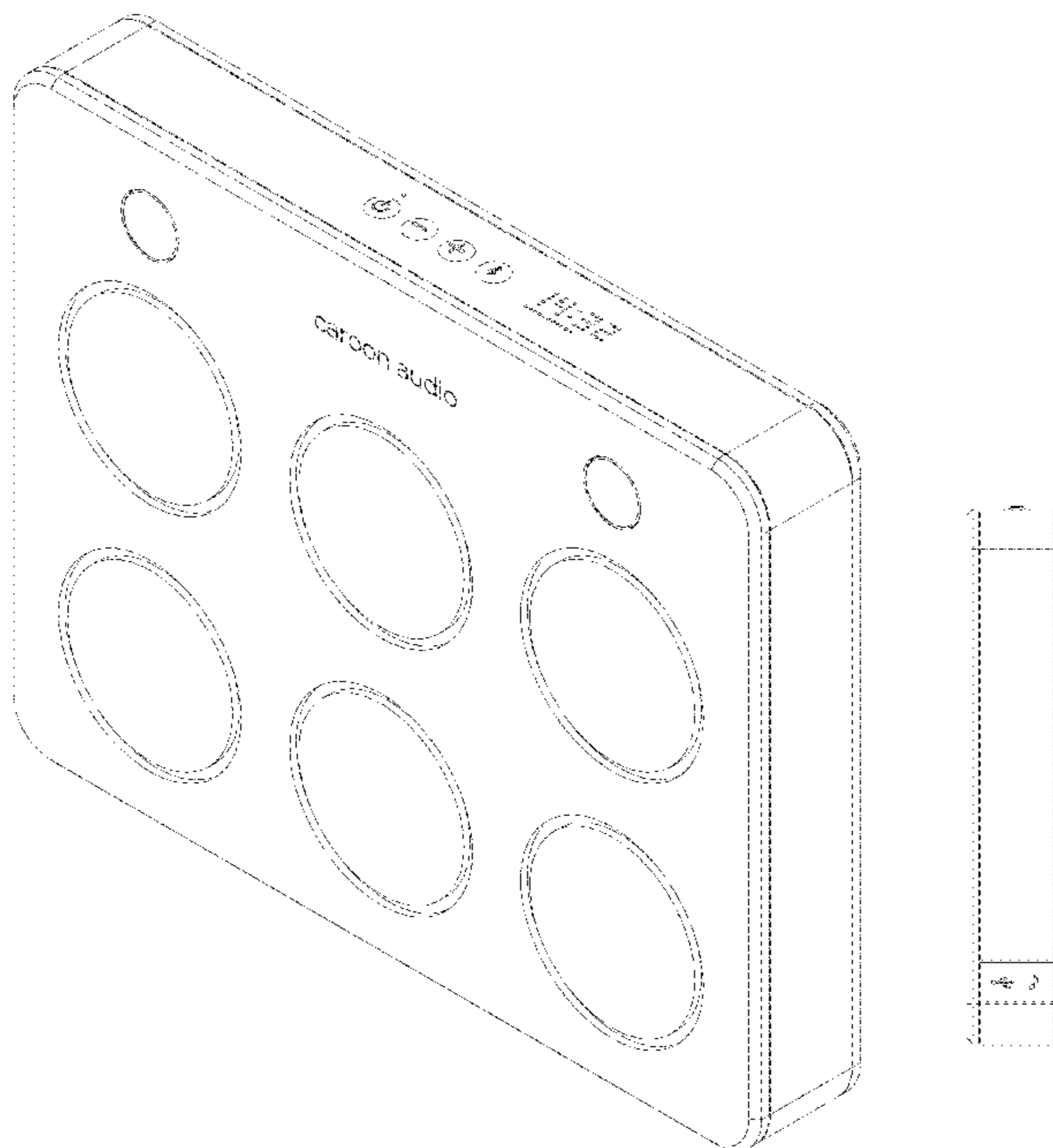
(57) **CLAIM**

The ornamental design for a portable audio speaker system,
as shown and described.

DESCRIPTION

FIG. 1 is a front, right side perspective view of a portable audio speaker system, embodying our new design;
FIG. 2 is a front elevation view thereof;
FIG. 3 is a left side elevation view thereof, showing a (covered) audio ingress and Universal Serial Bus (“USB”) ports;
FIG. 4 is a right side elevation view thereof;
FIG. 5 is a top plan view thereof, showing a number of control buttons and an alphanumeric display; and,
FIG. 6 is a bottom plan view thereof.

1 Claim, 3 Drawing Sheets



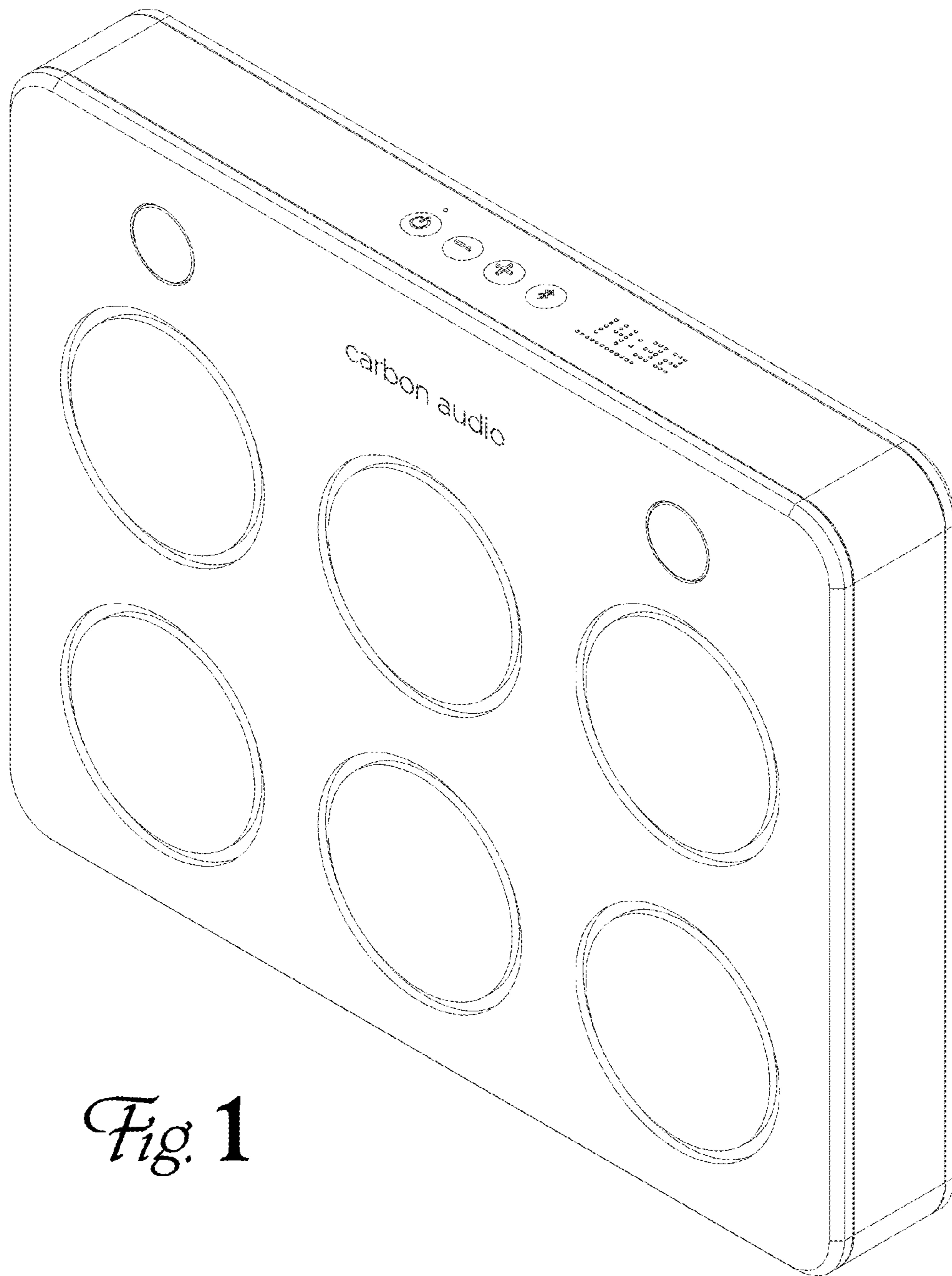


Fig. 1

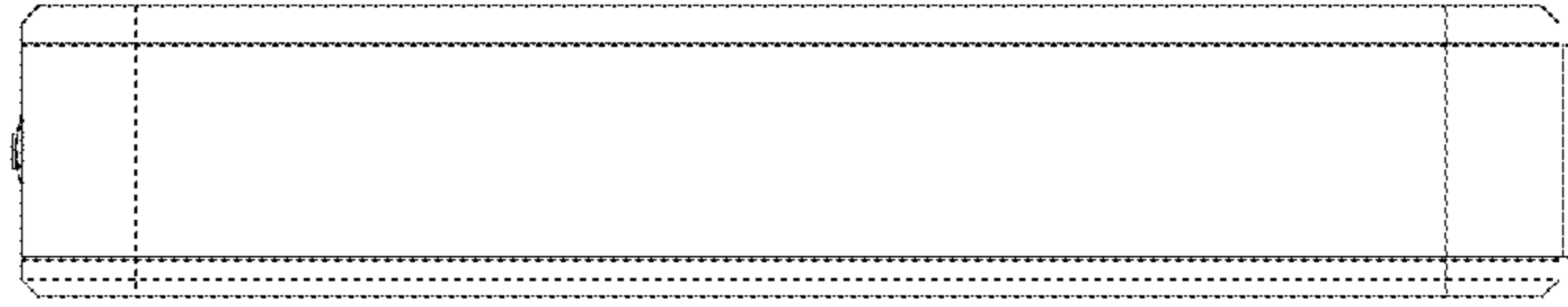


Fig. 4

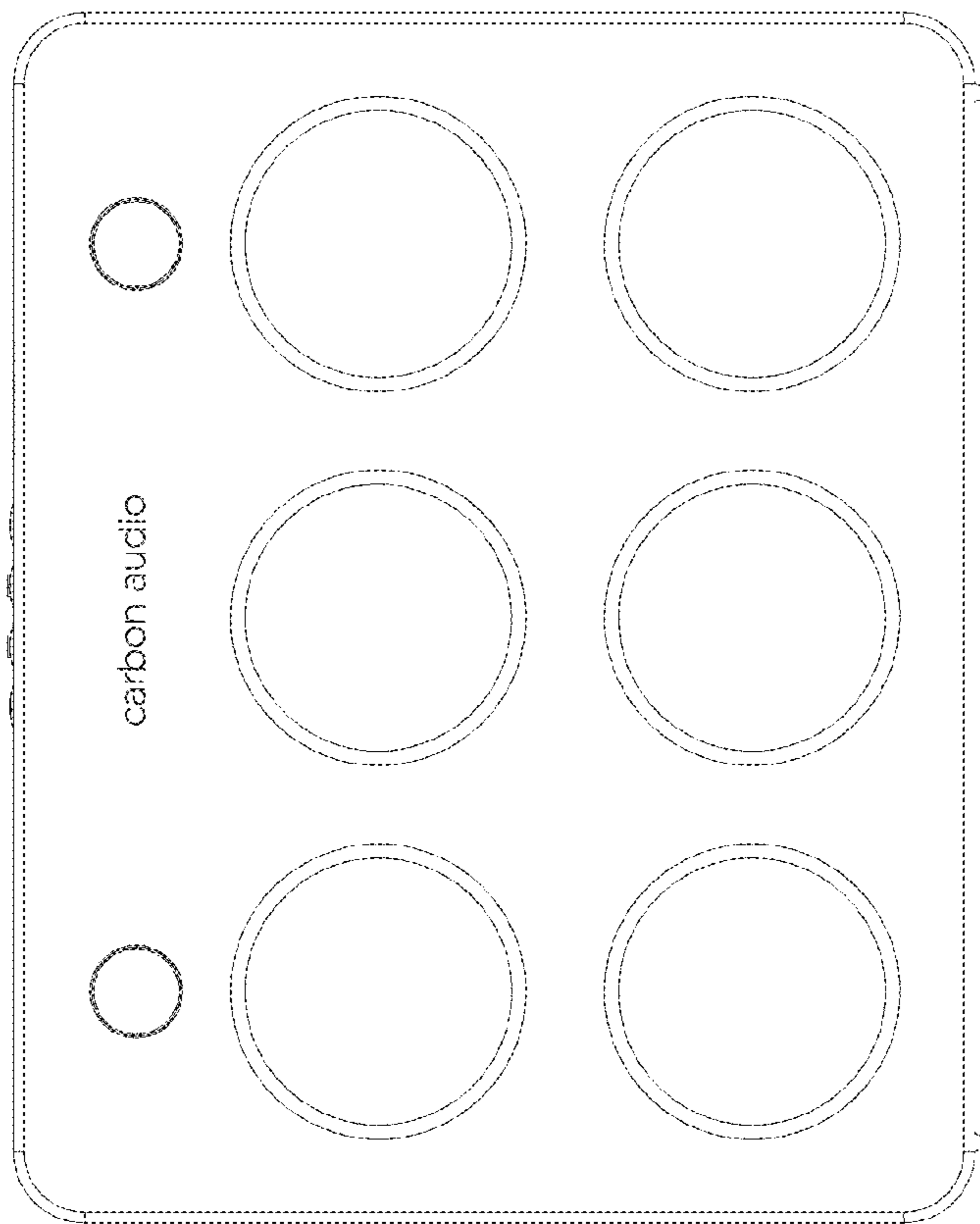


Fig. 2

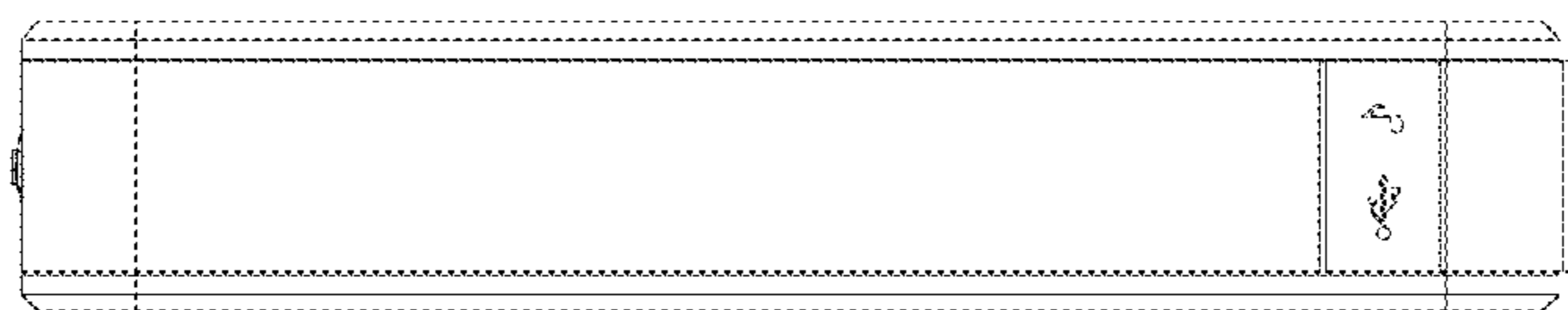


Fig. 3

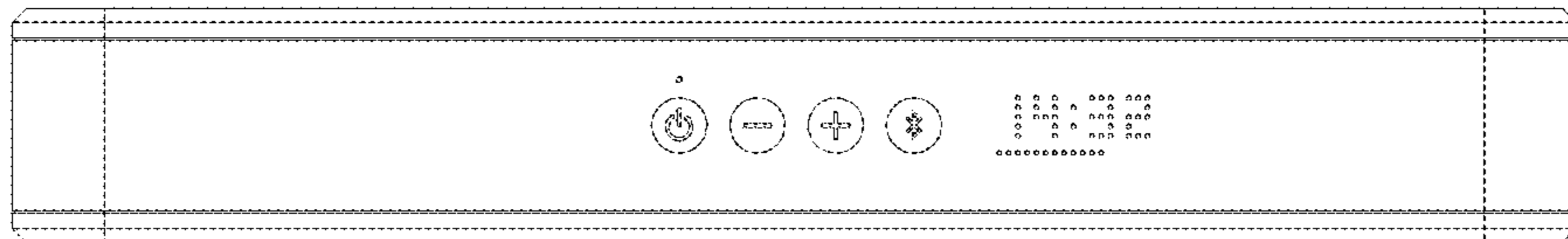


Fig. 5

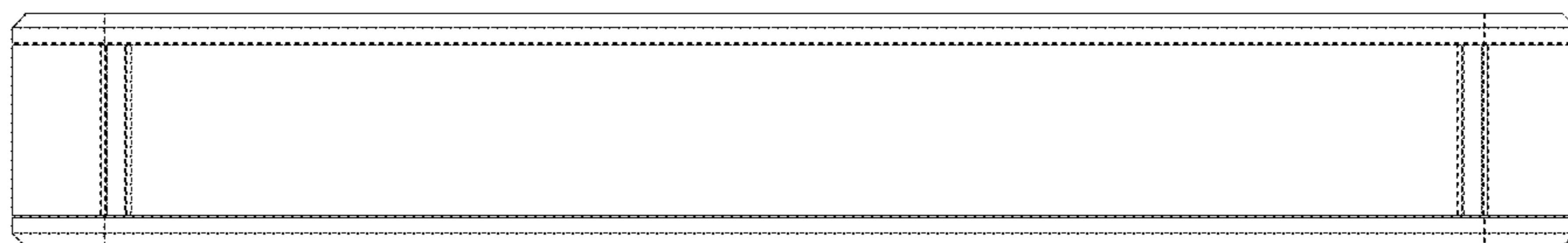


Fig. 6