



US00D713380S

(12) **United States Design Patent**
Kim et al.

(10) **Patent No.:** **US D713,380 S**
(45) **Date of Patent:** **** Sep. 16, 2014**

- (54) **AUDIO**
- (71) Applicant: **LG Electronics Inc.**, Seoul (KR)
- (72) Inventors: **Jinhee Kim**, Seoul (KR); **Daihyung Ryu**, Suwon-si (KR)
- (73) Assignee: **LG Electronics Inc.**, Seoul (KR)
- (**) Term: **14 Years**
- (21) Appl. No.: **29/459,886**
- (22) Filed: **Jul. 3, 2013**
- (51) **LOC (10) Cl.** **14-01**
- (52) **U.S. Cl.**
USPC **D14/209.1**
- (58) **Field of Classification Search**
USPC D14/204, 207, 209.1, 210–216, 172,
D14/168, 356, 474, 496, 137, 188, 203.1,
D14/265; 181/143, 144, 147, 148, 150–153,
181/157, 198, 199; 381/300–303, 306, 332,
381/333, 336, 345, 361–364, 386–388
See application file for complete search history.

7,332,890	B2 *	2/2008	Cohen et al.	320/109
7,414,668	B2 *	8/2008	Takahashi	348/373
D585,898	S *	2/2009	Skurdal	D14/434
7,689,197	B2 *	3/2010	Laude et al.	455/344
D645,847	S *	9/2011	Chau	D14/217
D676,413	S *	2/2013	Poandl	D14/171
D687,011	S *	7/2013	Bolton	D14/209.1
D687,809	S *	8/2013	Bergmann et al.	D14/209.1
D697,051	S *	1/2014	Adams et al.	D14/209.1

* cited by examiner

Primary Examiner — Prabhakar Deshmukh

(74) *Attorney, Agent, or Firm* — Birch, Stewart, Kolasch & Birch, LLP

(57) **CLAIM**

The ornamental design for an audio, as shown and described.

DESCRIPTION

FIG. 1 is a perspective view of an audio showing our new design;
 FIG. 2 is a front view thereof;
 FIG. 3 is a rear view thereof;
 FIG. 4 is a left side view thereof;
 FIG. 5 is a right side view thereof;
 FIG. 6 is a top plan view thereof;
 FIG. 7 is a bottom plan view thereof; and,
 FIG. 8 is a reference perspective view thereof showing the state that the display apparatus is docked on the audio.
 The broken lines are for illustrative purposes only and form no part of the claimed design.

1 Claim, 5 Drawing Sheets

- (56) **References Cited**
U.S. PATENT DOCUMENTS
7,145,603 B2 * 12/2006 Whitby et al. 348/375
D538,787 S * 3/2007 Tsai D14/209.1
7,303,282 B2 * 12/2007 Dwyer et al. 353/15

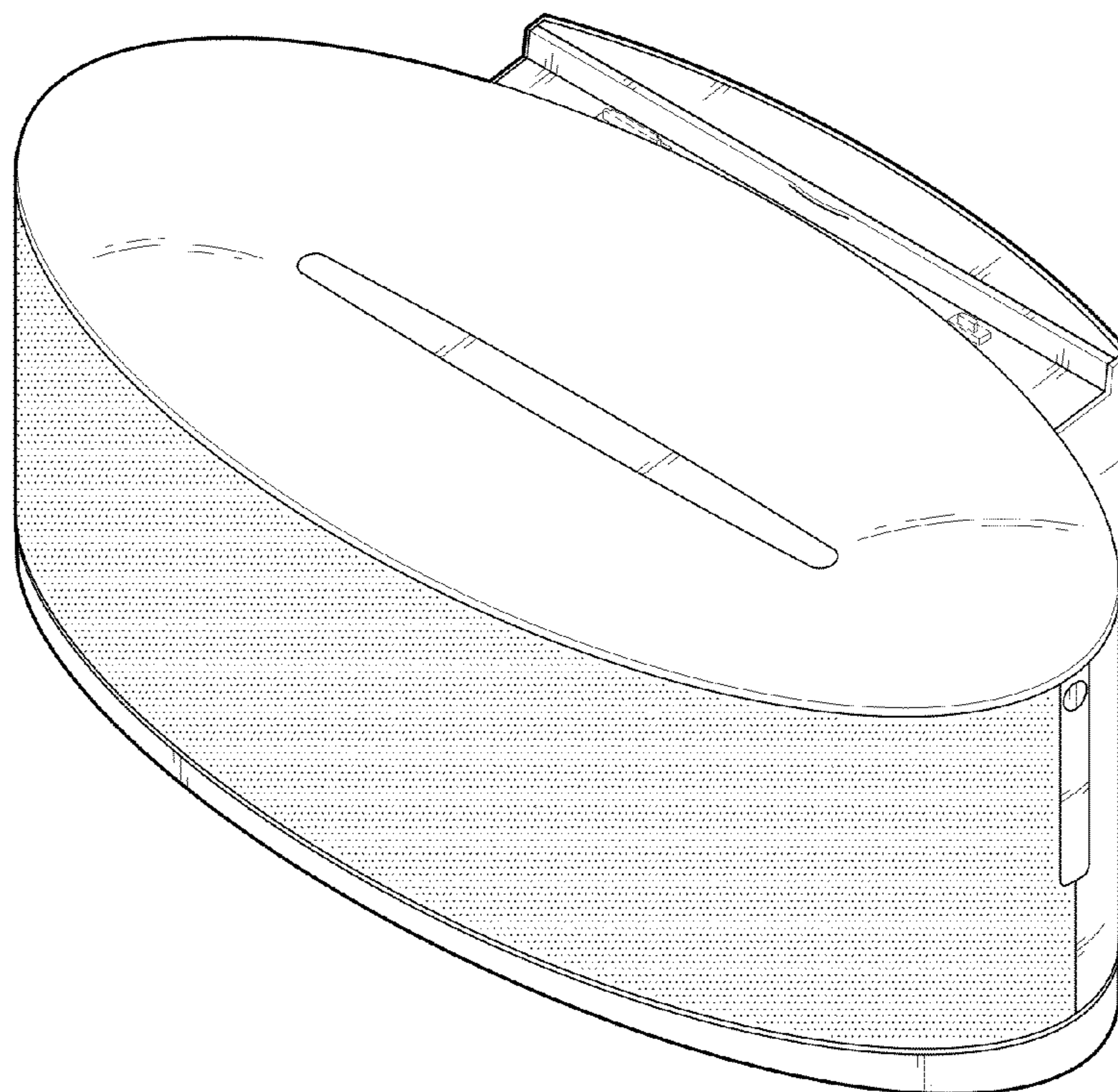


FIG. 1

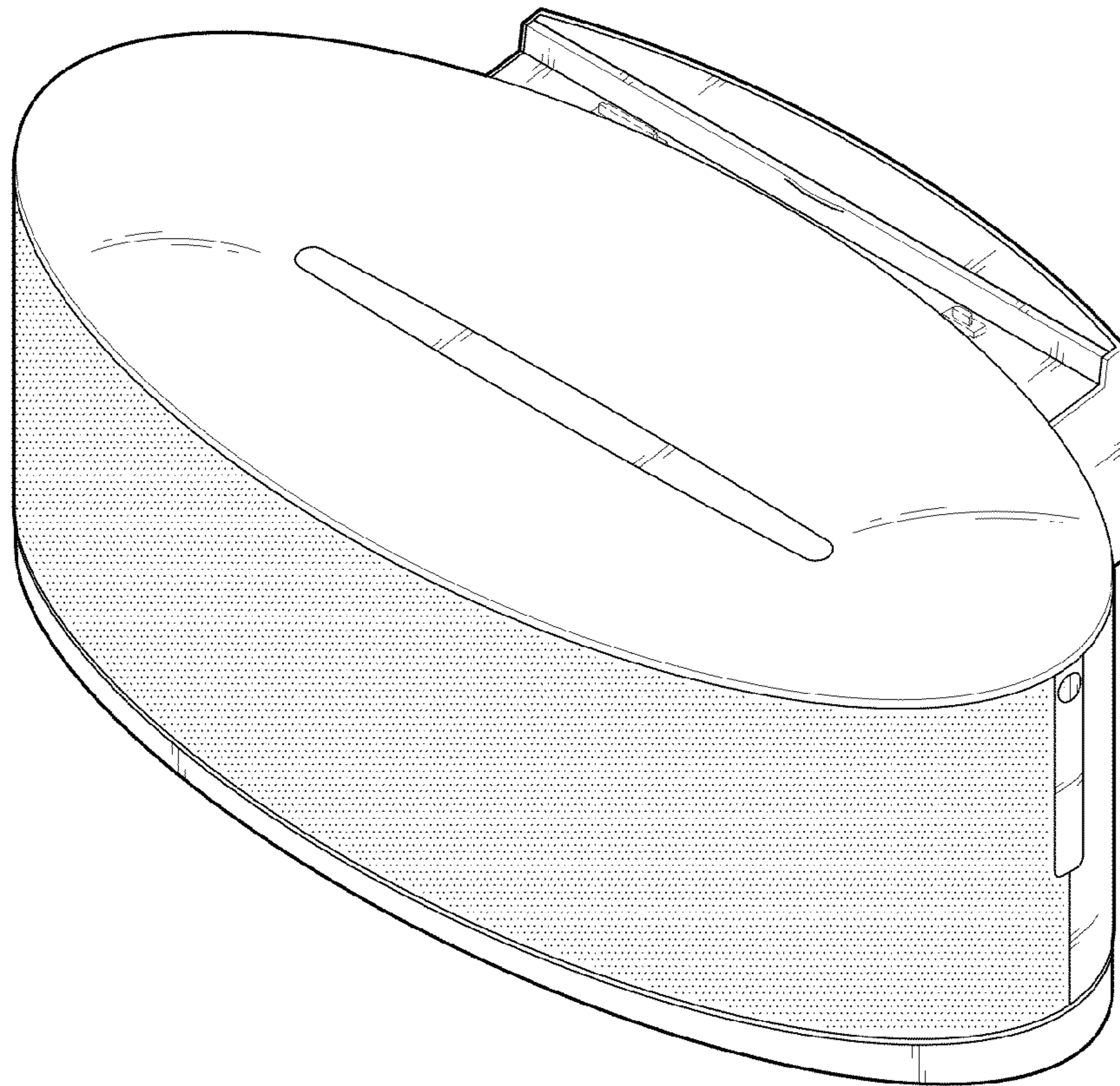


FIG. 2

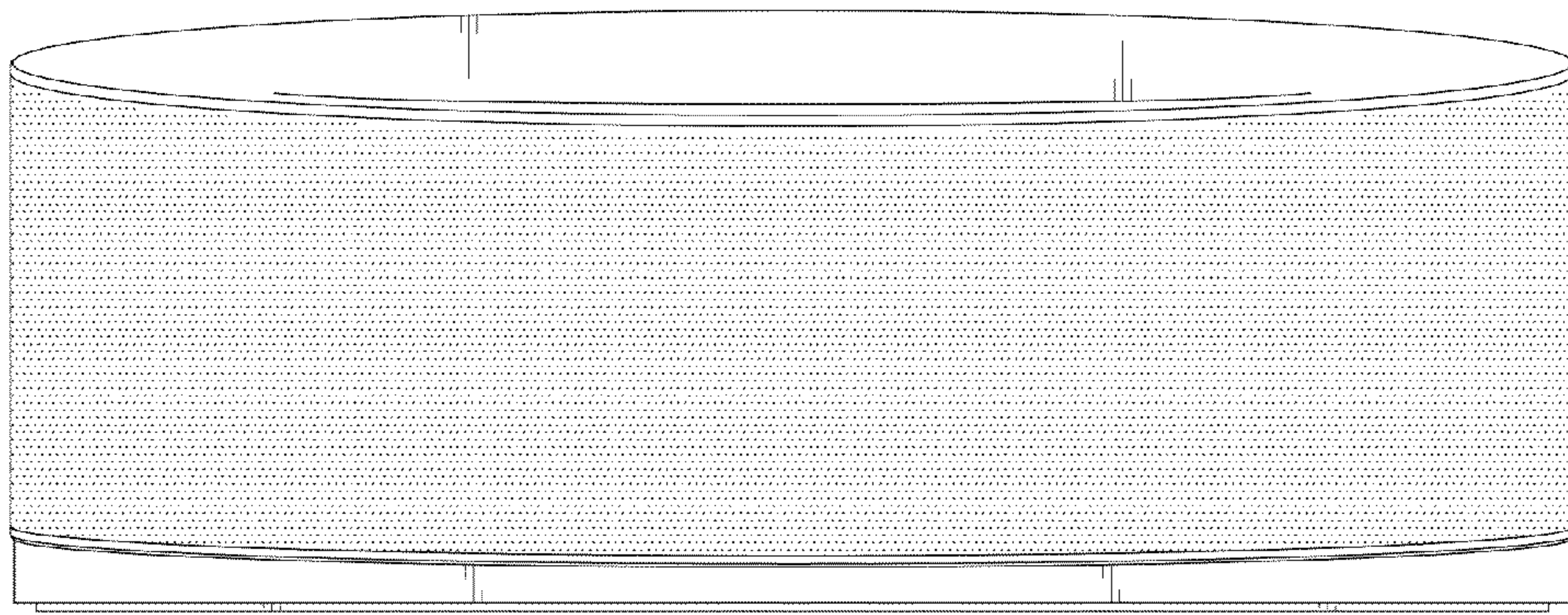


FIG. 3

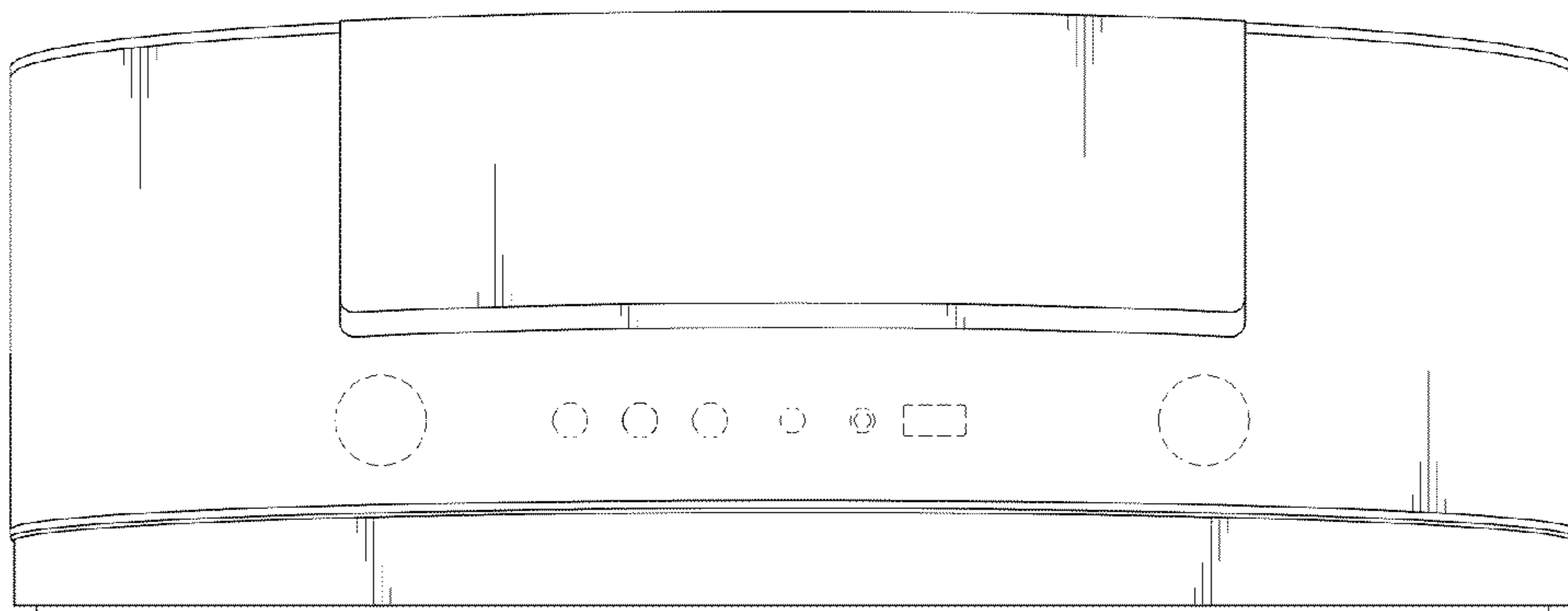


FIG. 4

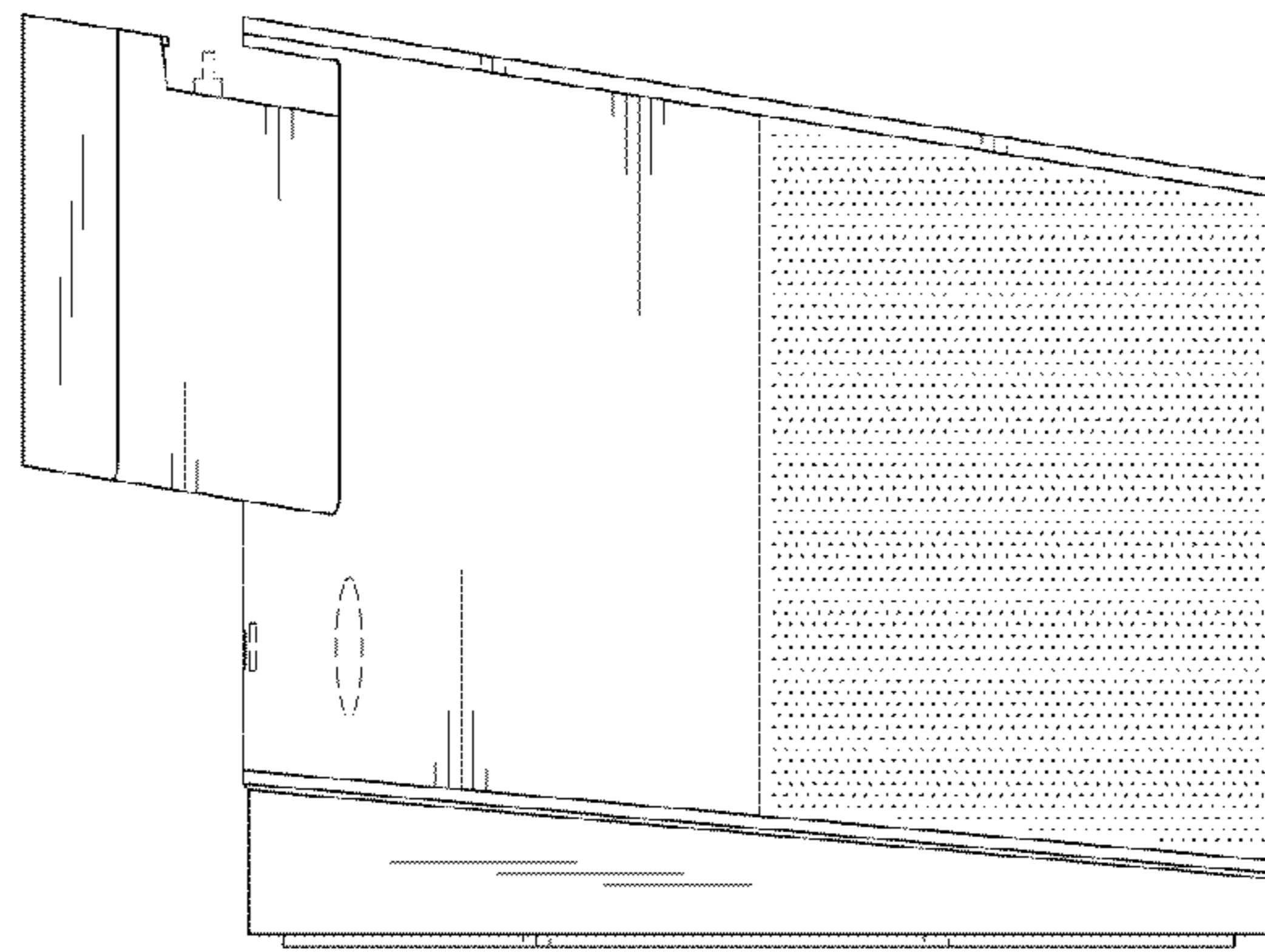


FIG. 5

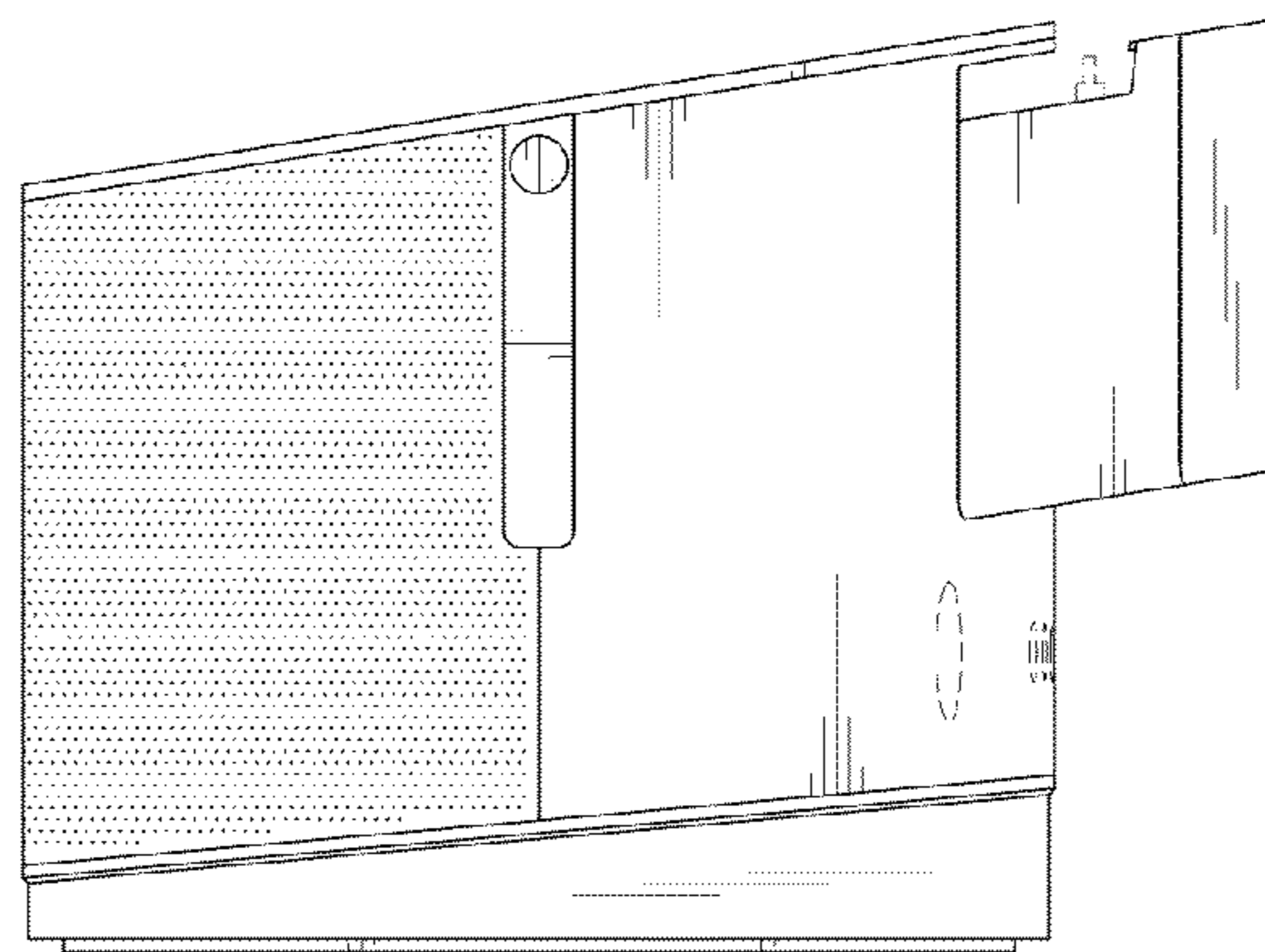


FIG. 6

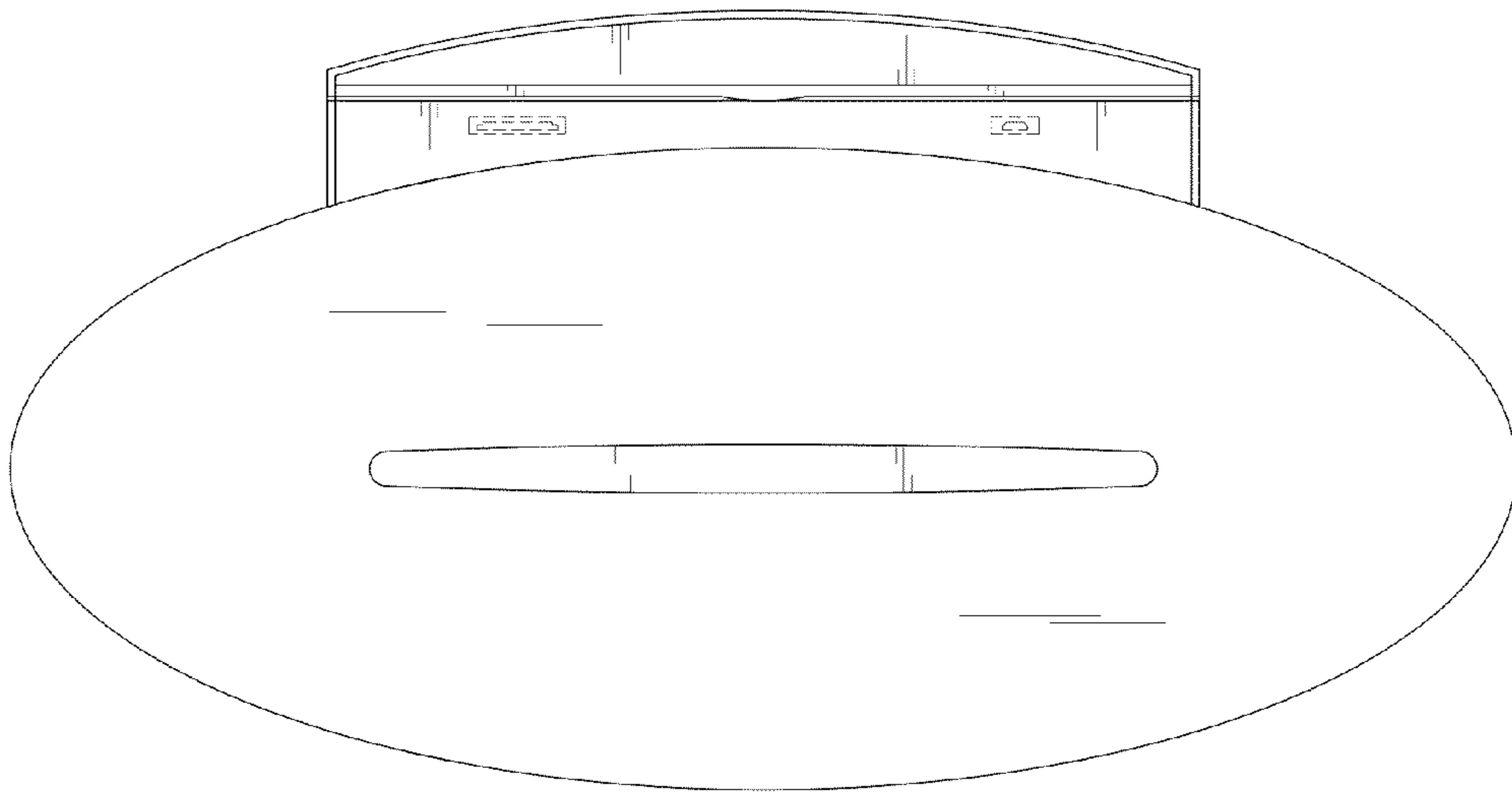


FIG. 7

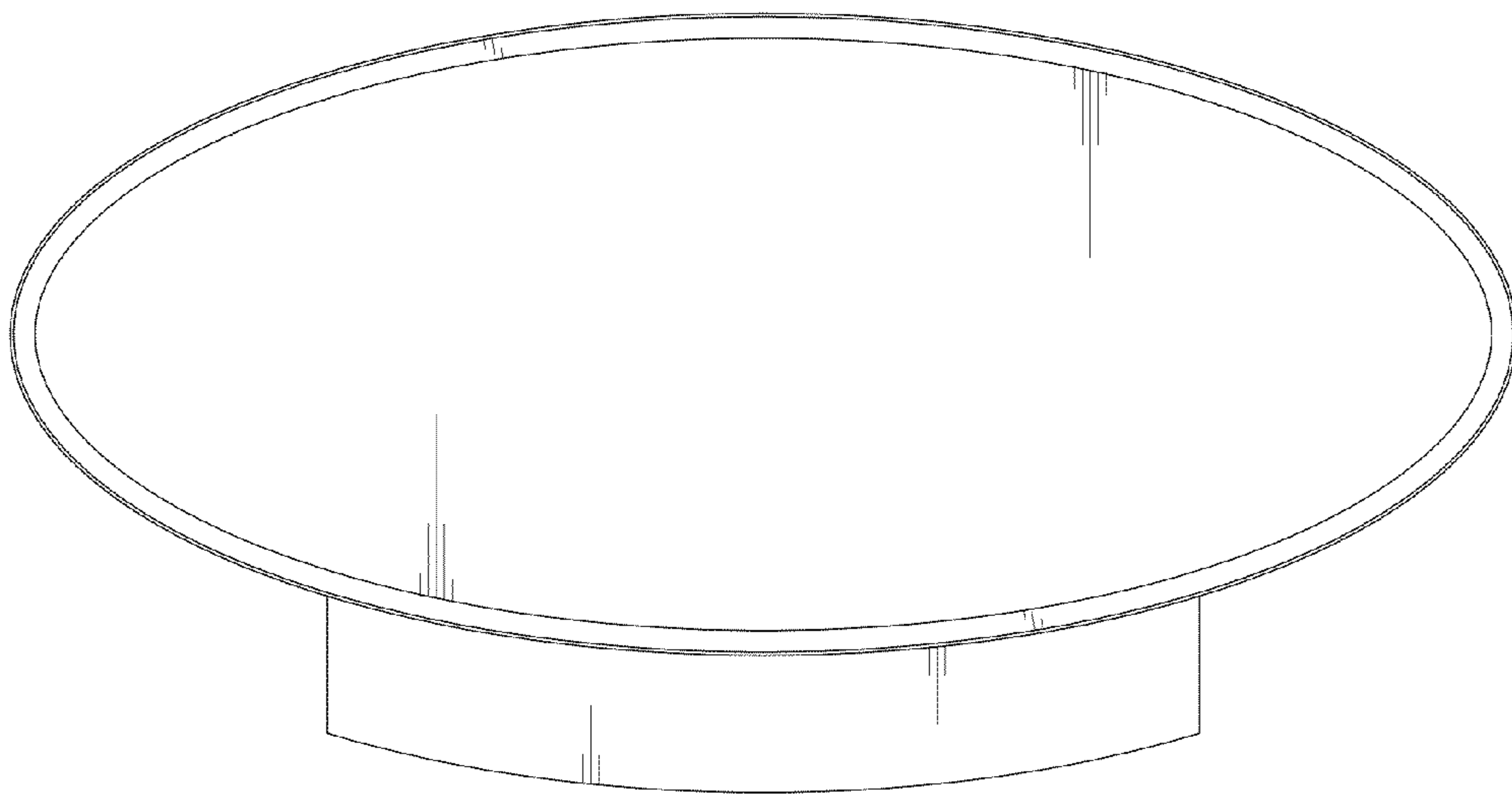


FIG. 8

